



US00D778440S

(12) **United States Design Patent** (10) **Patent No.:** **US D778,440 S**
Ben-Moshe et al. (45) **Date of Patent:** **** Feb. 7, 2017**

(54) **CERVICOGRAPHY DEVICE**
(71) Applicant: **Mobile Oct Ltd.**, Tel Aviv (IL)
(72) Inventors: **Moshe Ben-Moshe**, Modein (IL); **Tal Shlomovitch**, Tel Aviv (IL)
(73) Assignee: **MOBILE ODT LTD**, Tel Aviv (IL)
(**) Term: **14 Years**
(21) Appl. No.: **29/516,117**
(22) Filed: **Jan. 29, 2015**
(51) **LOC (10) Cl.** **24-02**
(52) **U.S. Cl.**
USPC **D24/137**
(58) **Field of Classification Search**
USPC D24/137, 133, 135, 136, 138;
600/185-199, 184, 200; 606/4
CPC A61B 1/227; A61B 3/1208; H02J 7/0045;
H01M 2/1055; H01M 10/46; H01M
2/1005
See application file for complete search history.

(56) **References Cited**
U.S. PATENT DOCUMENTS
D607,562 S * 1/2010 Heine D24/137
D635,256 S * 3/2011 Huang D24/137

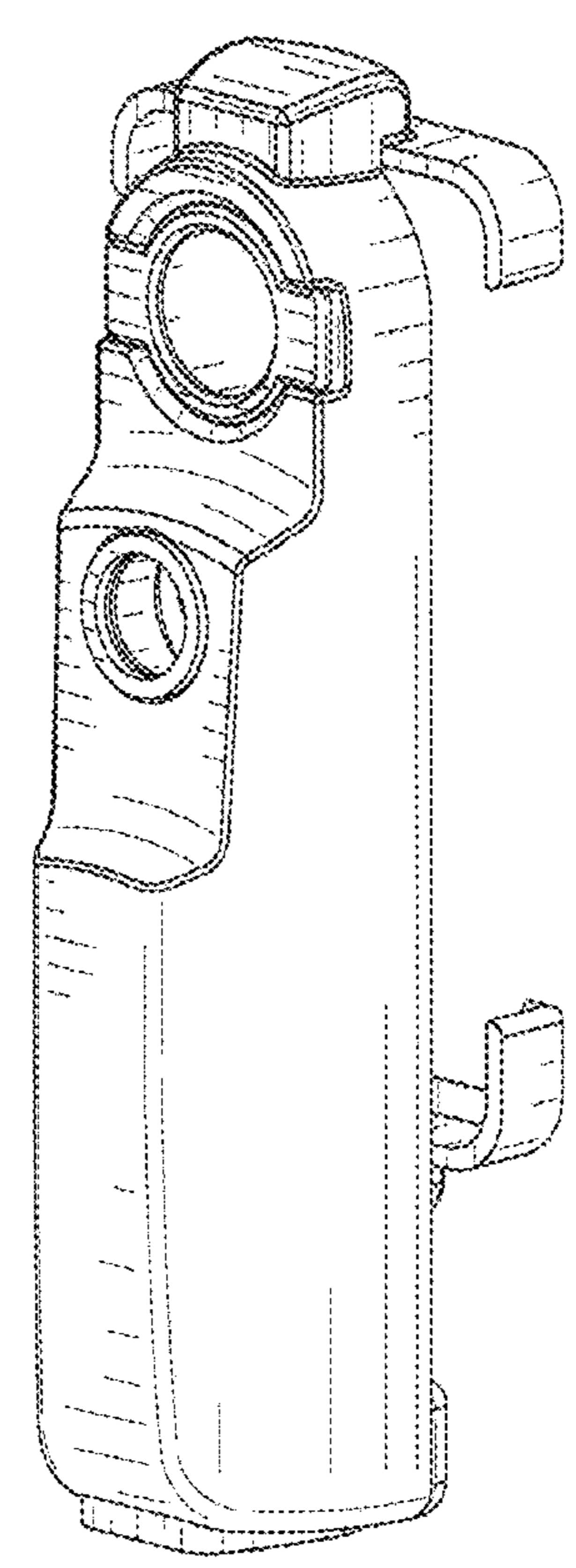
D659,840 S * 5/2012 Cheng D24/137
2005/0041827 A1* 2/2005 Wu H02J 7/0045
381/323
2014/0039262 A1* 2/2014 Baker A61B 1/32
600/200
2015/0126810 A1* 5/2015 Wood A61B 3/14
600/200

* cited by examiner
Primary Examiner — Wan Laymon
Assistant Examiner — Mark Booker
(74) *Attorney, Agent, or Firm* — Roach Brown McCarthy
& Gruber, P.C.; Kevin D. McCarthy

(57) **CLAIM**
The ornamental design for a cervicography device, as shown
and described.

DESCRIPTION
FIG. 1 is a front perspective view of a cervicography device;
FIG. 2 is a rear perspective view thereof;
FIG. 3 is a top view thereof;
FIG. 4 is a bottom view thereof;
FIG. 5 is a right side view thereof;
FIG. 6 is a left side view thereof;
FIG. 7 is a front view thereof; and,
FIG. 8 is a rear view thereof.
Portions of the cervicography device illustrated in broken
lines forms no part of the claimed design.

1 Claim, 7 Drawing Sheets



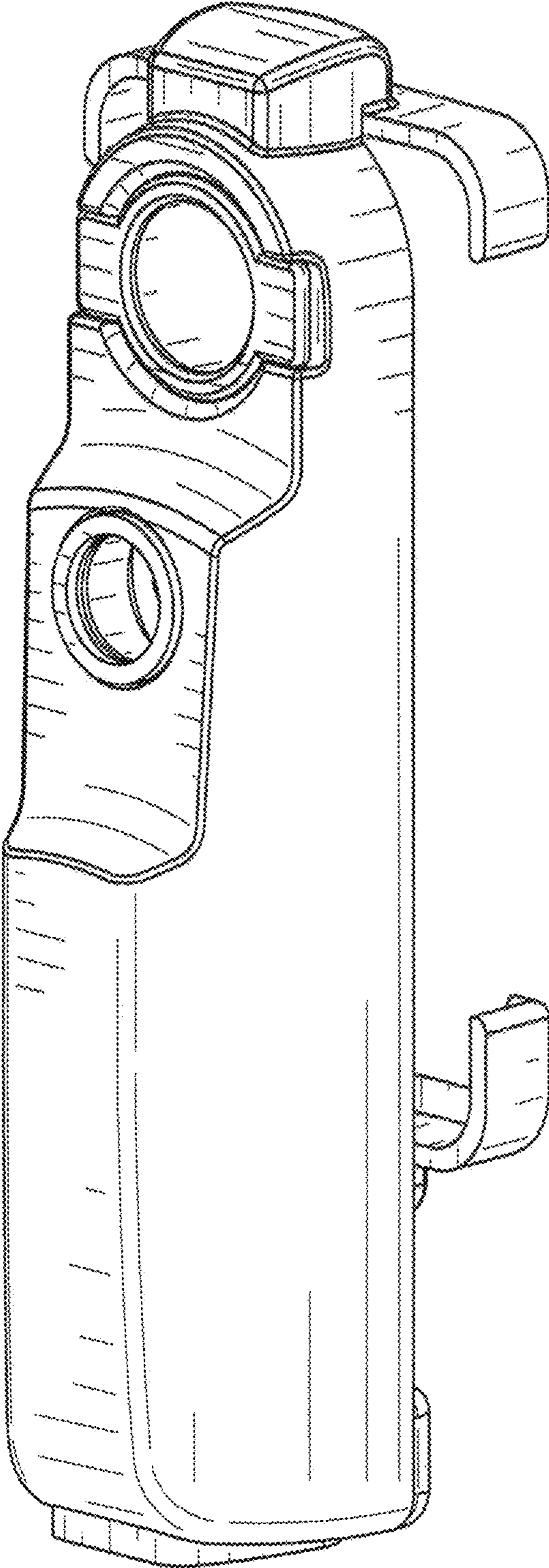


FIG.1

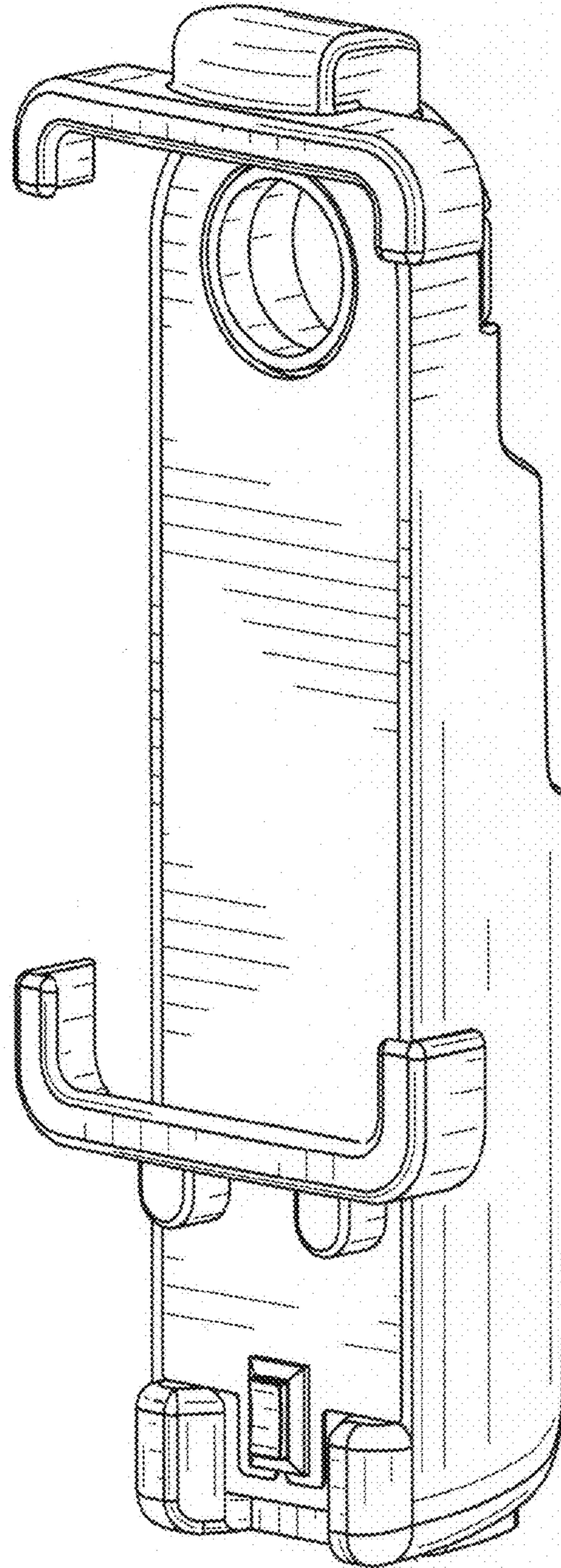


FIG.2

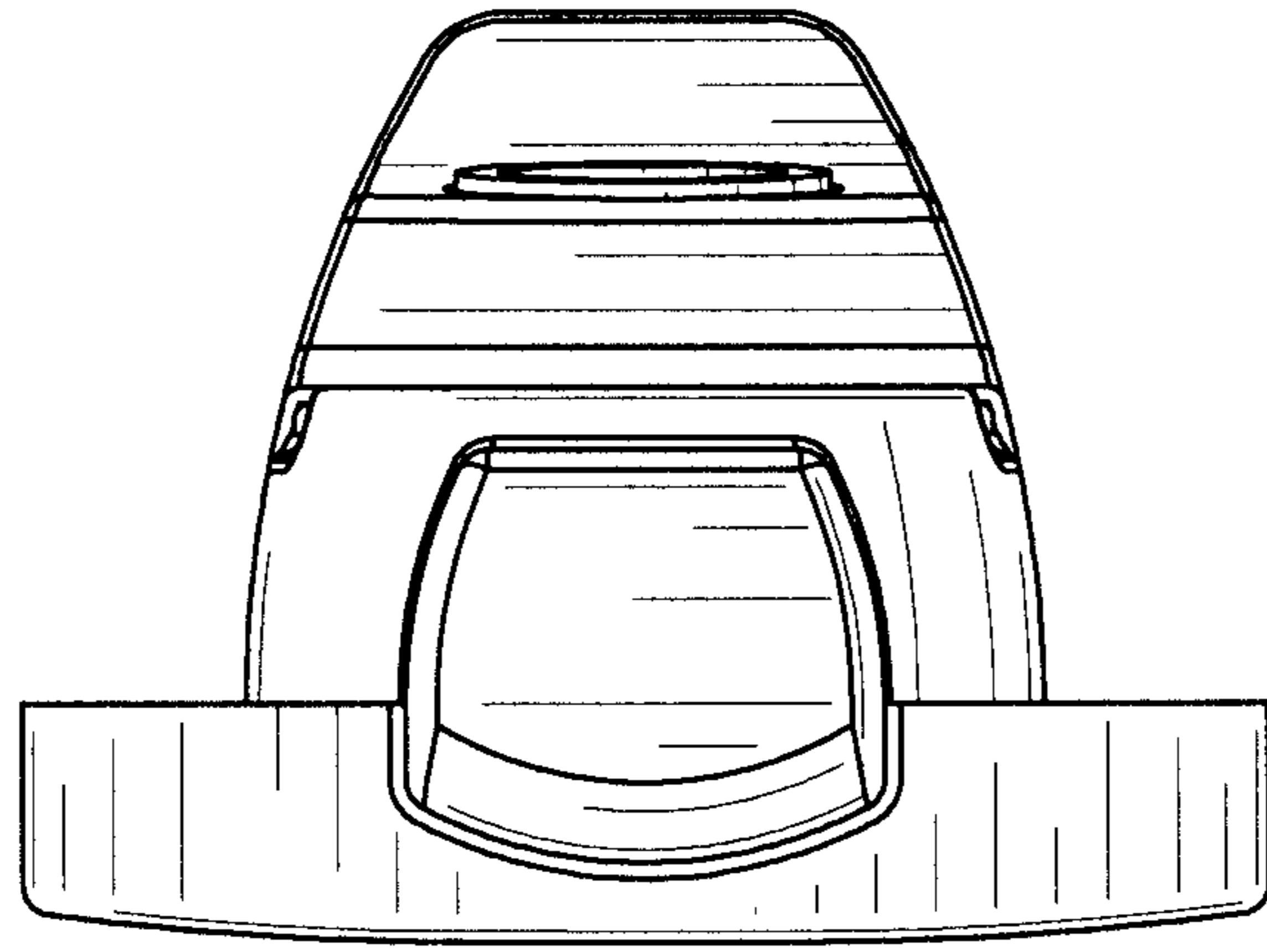


FIG. 3

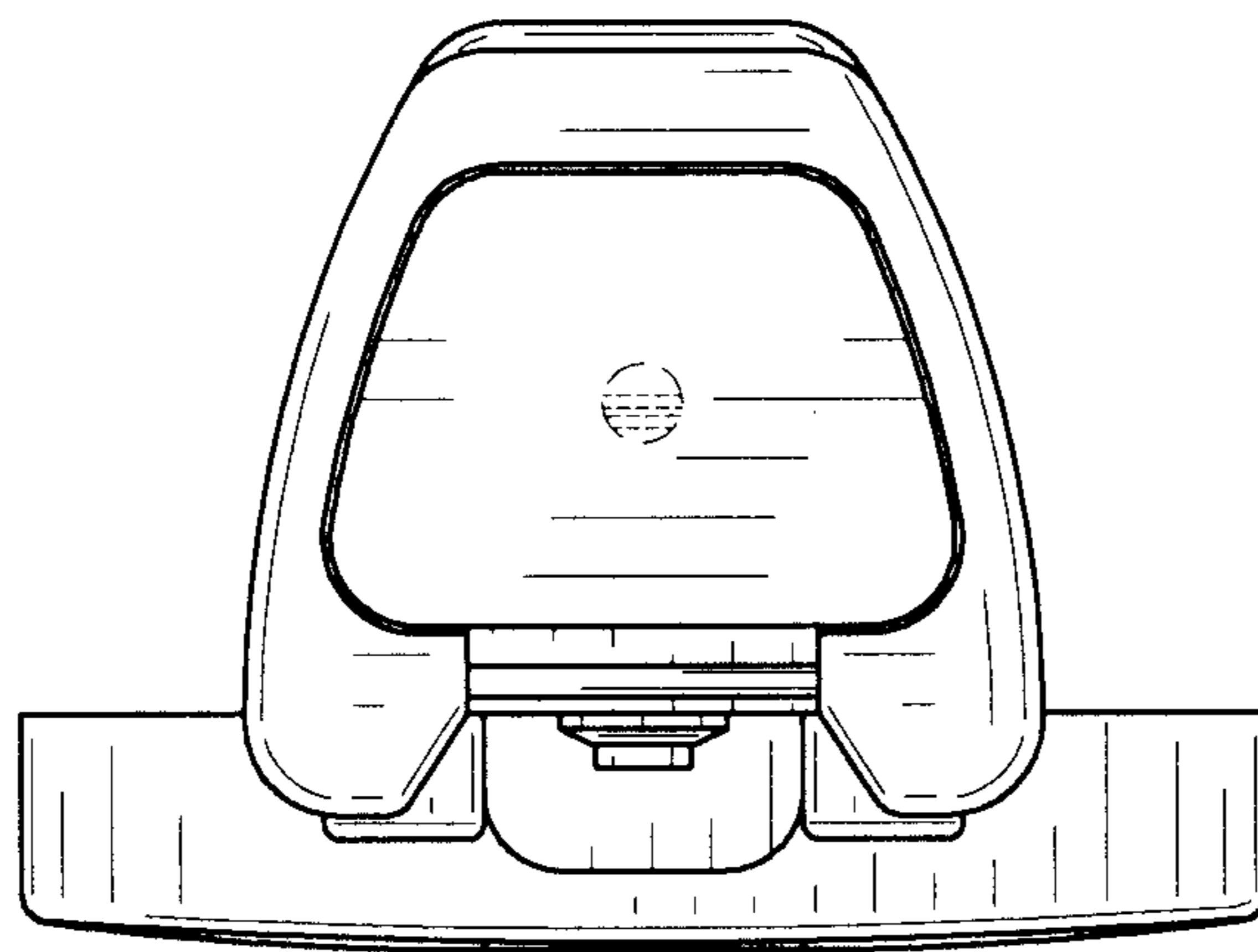


FIG. 4

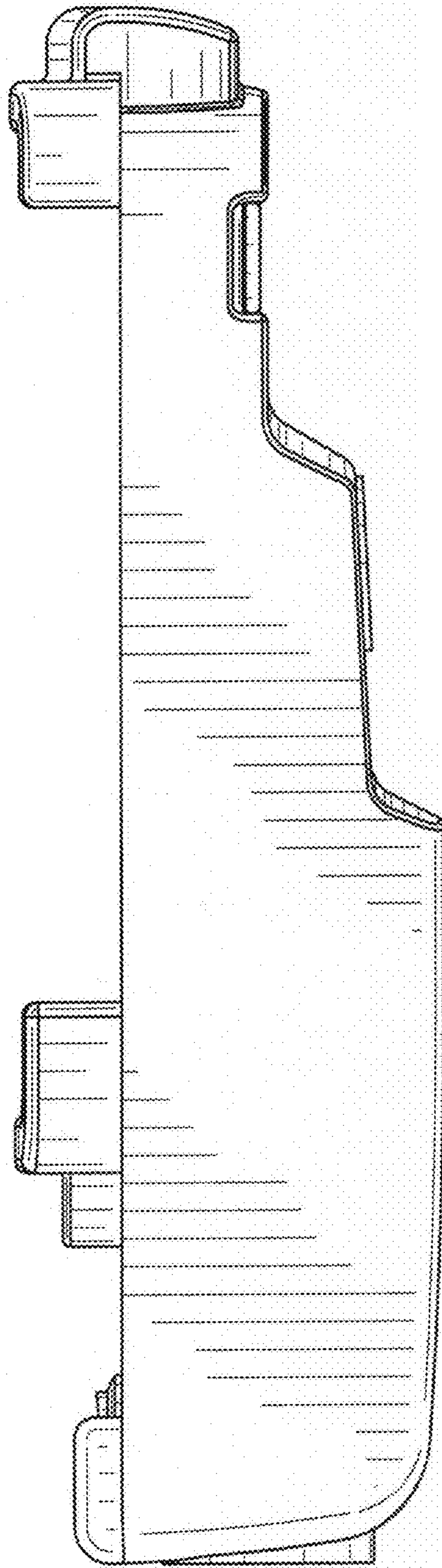


FIG. 5

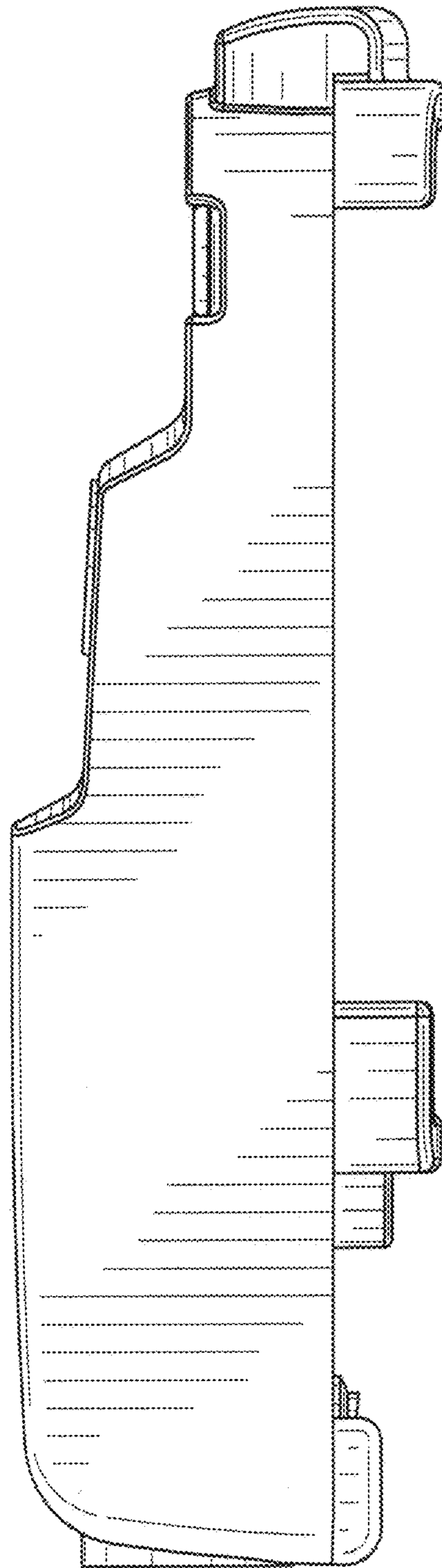


FIG. 6

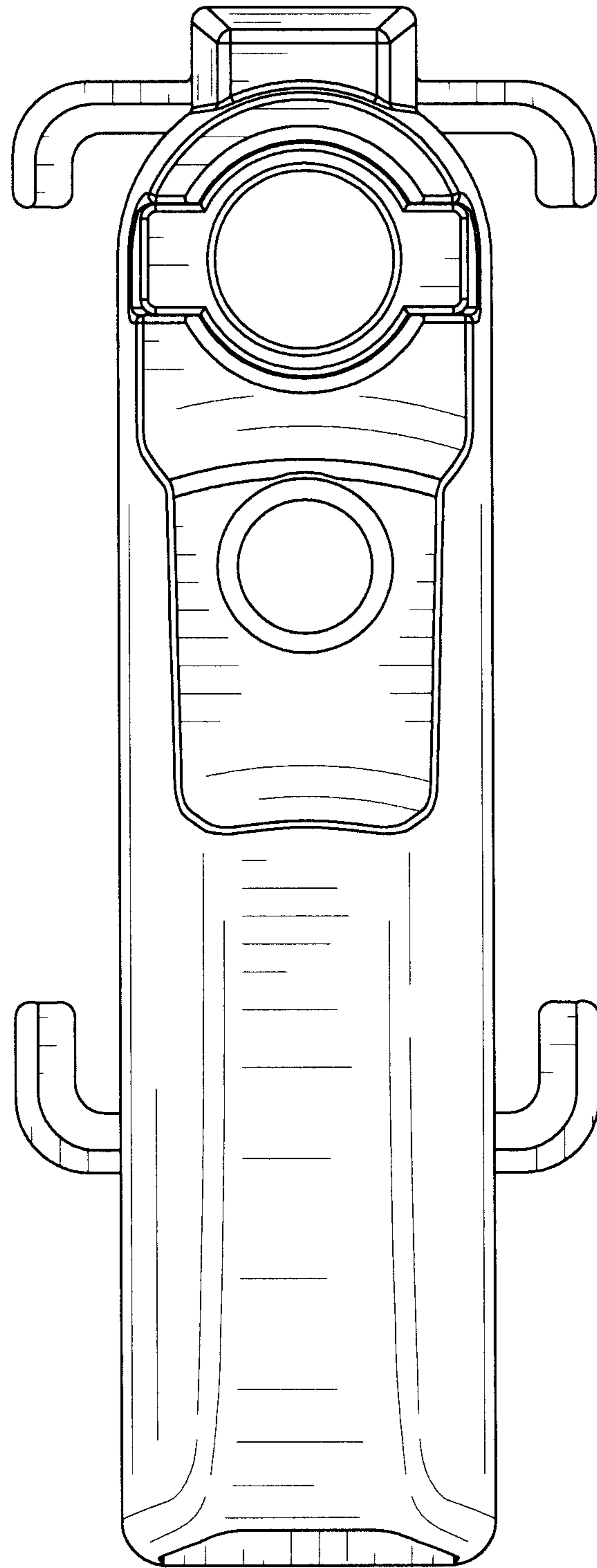


FIG. 7

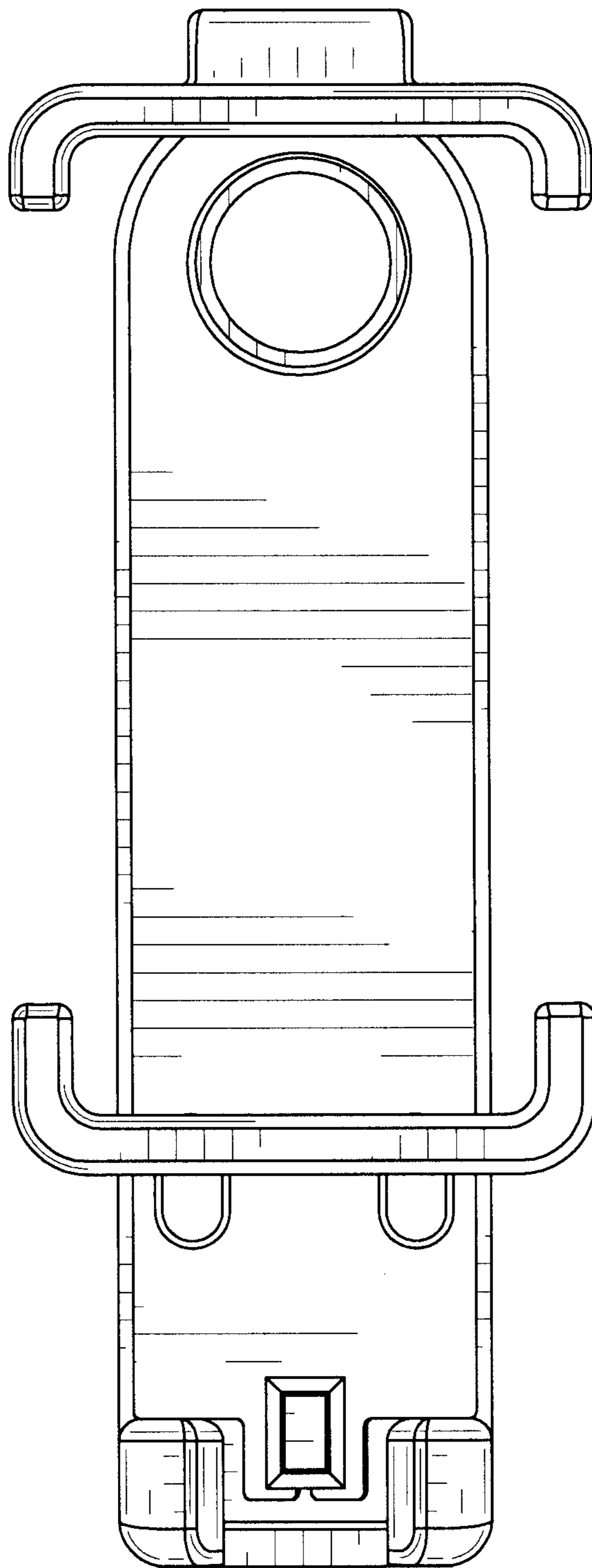


FIG. 8