



US00D778439S

(12) **United States Design Patent** (10) **Patent No.:** **US D778,439 S**  
**Håkansson et al.** (45) **Date of Patent:** **\*\* Feb. 7, 2017**

(54) **MEDICAL INSTRUMENT**

(71) Applicant: **CONROY MEDICAL AB**, Upplands Väsby (SE)

(72) Inventors: **Lars Håkansson**, Stockholm (SE); **Anders Krook**, Stockholm (SE); **Erik Verrier**, Johanneshov (SE)

(73) Assignee: **CONROY MEDICAL AB** (SE)

(\*\*) Term: **15 Years**

(21) Appl. No.: **35/500,254**

(22) Filed: **Oct. 21, 2015**

(80) **Hague Agreement Data**

Int. Filing Date: **Oct. 21, 2015**

Int. Reg. No.: **DM/088011**

Int. Reg. Date: **Oct. 21, 2015**

Int. Reg. Pub. Date: **Nov. 6, 2015**

(30) **Foreign Application Priority Data**

Apr. 21, 2015 (EM) ..... 002685818-0002

(51) **LOC (10) Cl.** ..... **24-02**

(52) **U.S. Cl.**  
USPC ..... **D24/133; D8/60**

(58) **Field of Classification Search**

USPC . D24/133, 145, 147; D8/29.1, 60; D15/144, D15/144.1, 144.2, 146; 600/131, 156; 604/118, 119; 30/92-108, 249-251

CPC ..... B23D 21/00; B23D 21/04; B23D 21/08; B26D 3/169; B29C 65/00; B29C 65/14

See application file for complete search history.

(56) **References Cited**

U.S. PATENT DOCUMENTS

D262,823 S *	1/1982	House, II	.....	D24/146
D267,145 S *	12/1982	Kaneko	.....	D8/51
D481,277 S *	10/2003	Waldron	.....	D8/29.1
D578,644 S *	10/2008	Shumer	.....	D24/133
D641,220 S *	7/2011	Shi	.....	D8/29.1
D679,564 S *	4/2013	Hong	.....	D8/60
D694,603 S *	12/2013	Smith	.....	D8/60
D746,653 S *	1/2016	Furling	.....	D8/29.1
2016/0167289 A1 *	6/2016	Cassiday	.....	B29C 65/1412 156/275.1
2016/0176563 A1 *	6/2016	Coto	.....	B65B 51/225 156/580.1

\* cited by examiner

*Primary Examiner* — Keli L Hill

(74) *Attorney, Agent, or Firm* — Fox Rothschild LLP

(57) **CLAIM**

The ornamental design for a medical instrument, as shown and described.

**DESCRIPTION**

1. Medical instrument

1.1 : Perspective

1.2 : Front

1.3 : Back

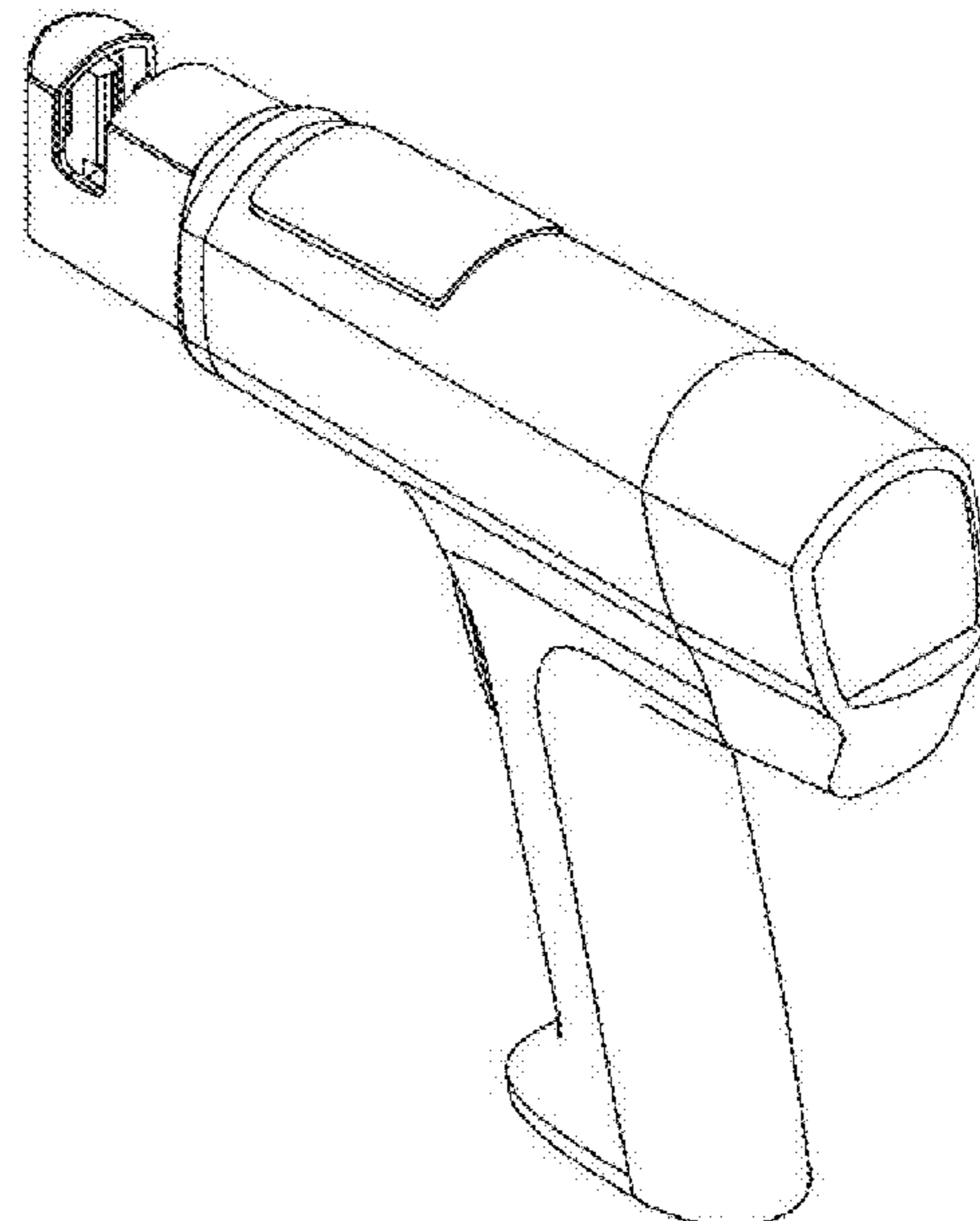
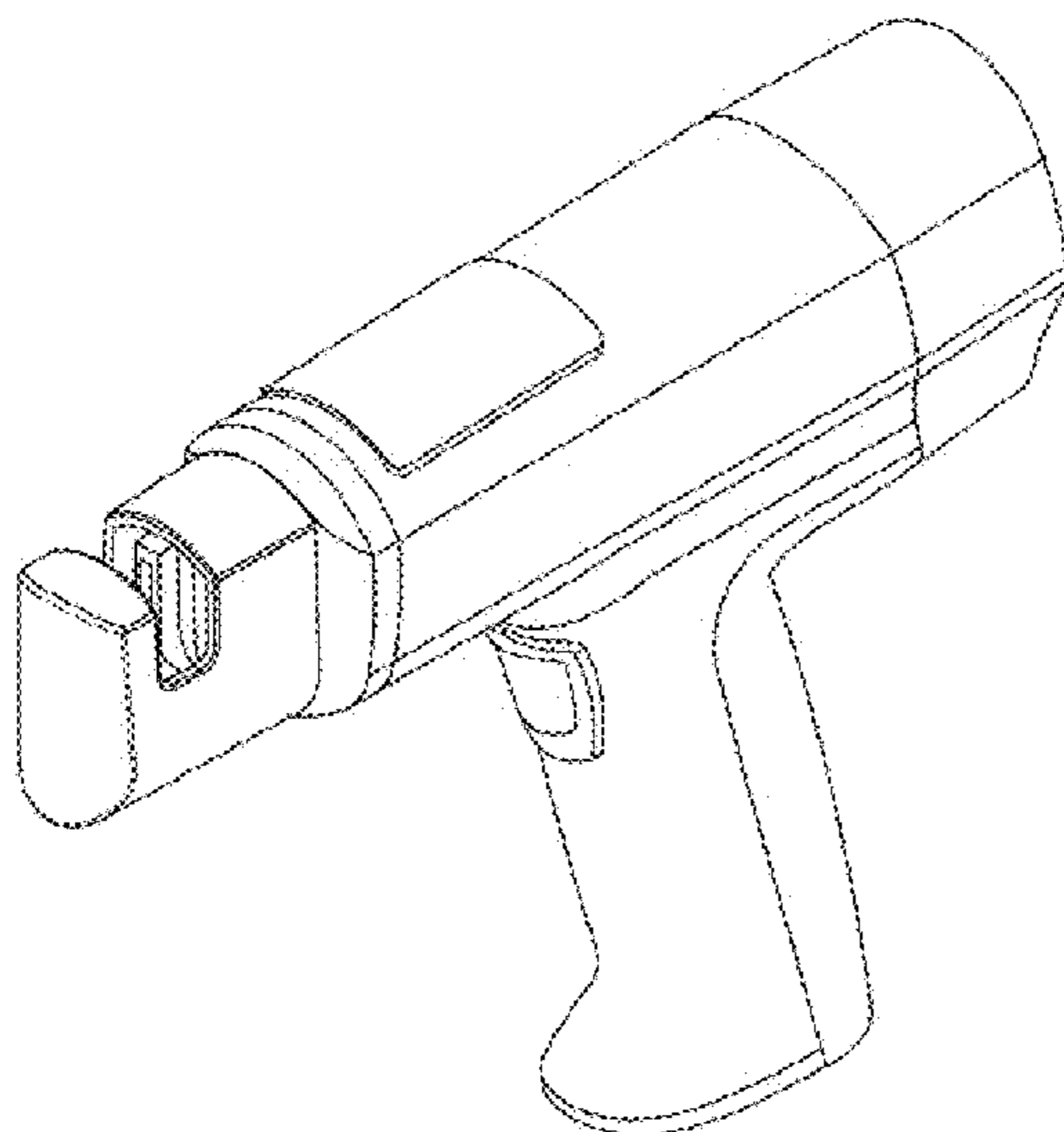
1.4 : Side view

1.5 : Top

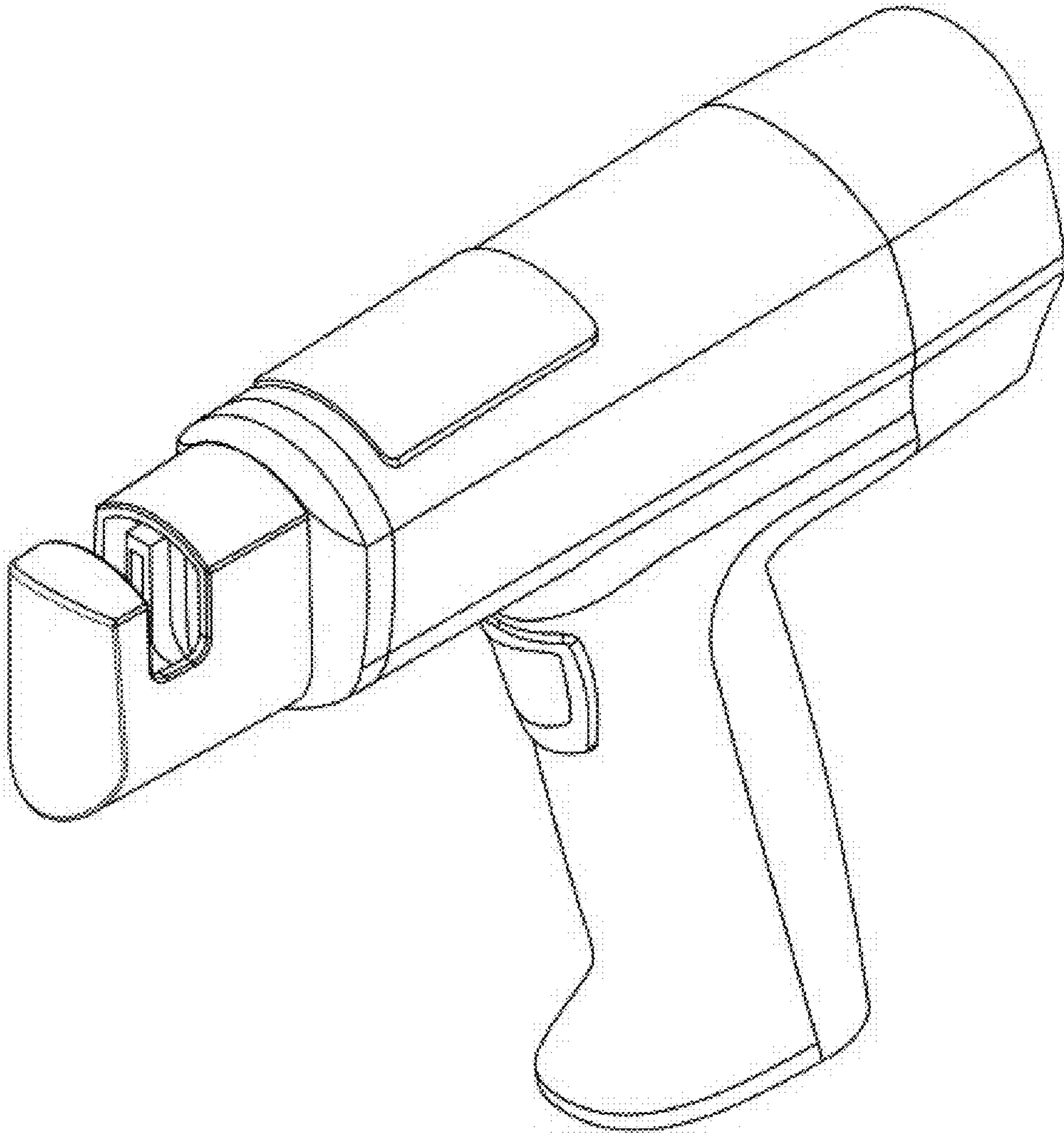
1.6 : Bottom

1.7 : Perspective

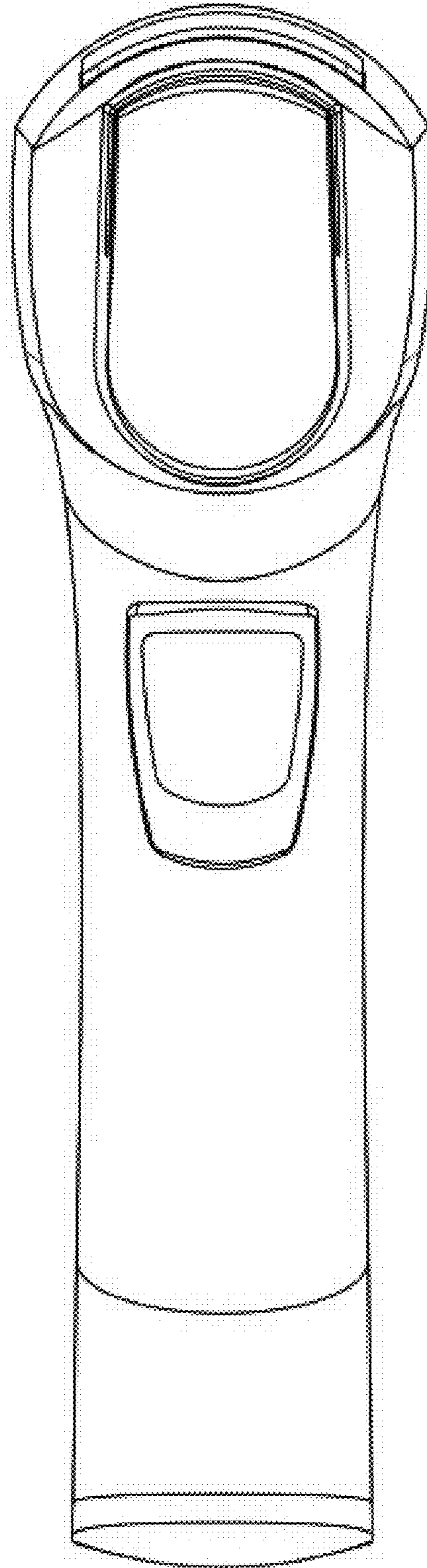
**1 Claim, 7 Drawing Sheets**



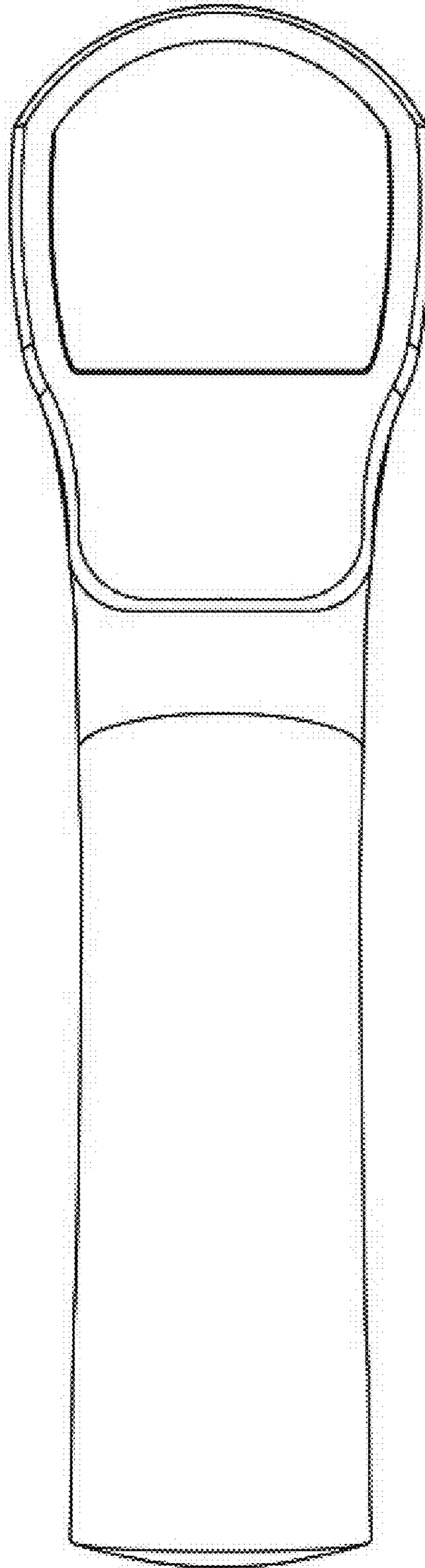
**1.1**



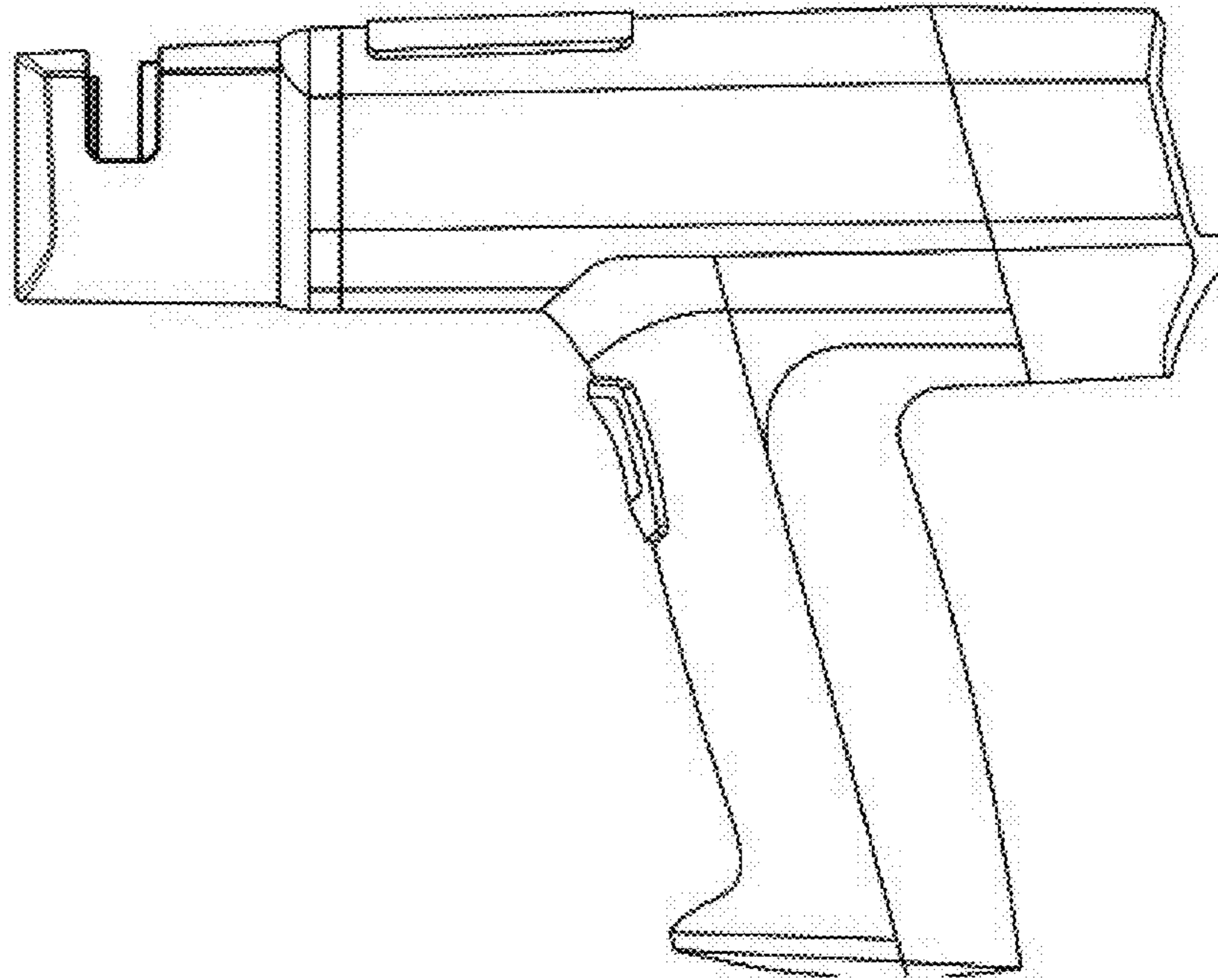
# 1.2



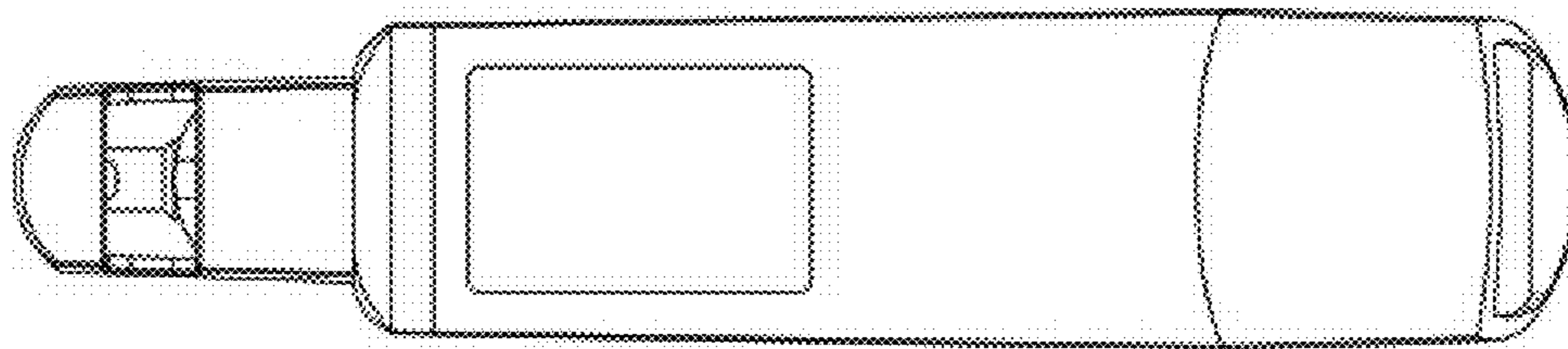
# 1.3



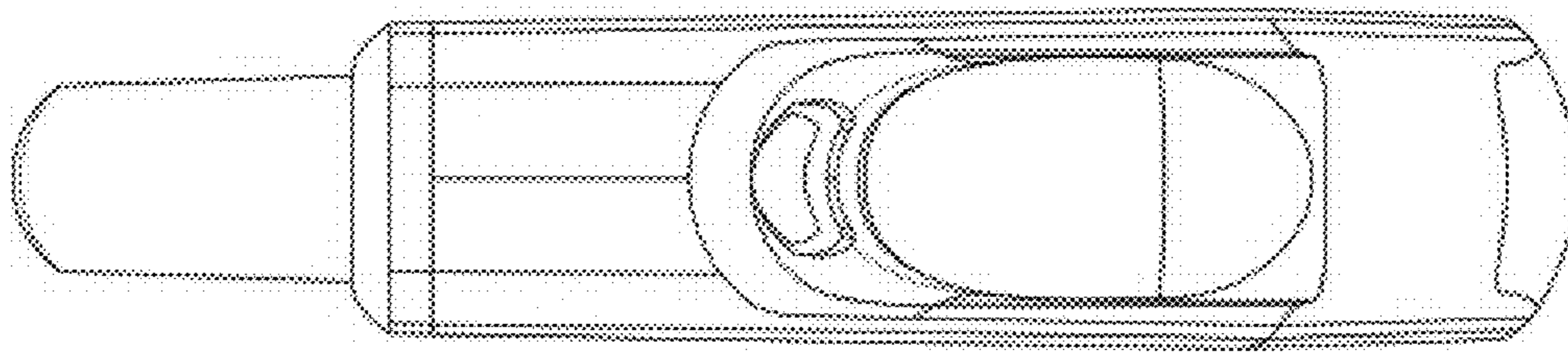
**1.4**



**1.5**



**1.6**



**1.7**

