



US00D778437S

(12) **United States Design Patent** (10) **Patent No.:** **US D778,437 S**
Mendoza et al. (45) **Date of Patent:** **** Feb. 7, 2017**

(54) **COUPLANT DELIVERY SUPPORT**

2003/0181891 A1* 9/2003 Cooper A61B 50/20
606/1

(71) Applicant: **Transonic Systems, Inc.**, Ithaca, NY
(US)

2005/0021018 A1 1/2005 Anderson et al.
2010/0198215 A1 8/2010 Julian et al.

(Continued)

(72) Inventors: **Guillermo Mendoza**, Ithaca, NY (US);
Geoff Van Fleet, Ithaca, NY (US);
Cornelis J. Drost, Ithaca, NY (US)

OTHER PUBLICATIONS

Intuitive Surgical®: Minimally Invasive Cardiac Revascularization
with the da Vinci® Surgical System 2013: (8 pages).

(73) Assignee: **Transonic Systems, Inc.**, Ithaca, NY
(US)

Primary Examiner — Ian Simmons

Assistant Examiner — Richelle G Shelton

(**) Term: **15 Years**

(74) *Attorney, Agent, or Firm* — Brian B. Shaw, Esq.;
Harter Secrest & Emery LLP

(21) Appl. No.: **29/538,378**

(57) **CLAIM**

The ornamental design for a couplant delivery support, as
shown and described.

(22) Filed: **Sep. 3, 2015**

(51) **LOC (10) Cl.** **24-99**

(52) **U.S. Cl.**
USPC **D24/128**

DESCRIPTION

(58) **Field of Classification Search**
USPC D24/107, 108, 112–115, 127–130;
D23/266; D8/356, 396
CPC A61B 50/20; A61B 2034/301
See application file for complete search history.

FIG. 1 is a top, front and left side perspective view of a
couplant delivery support in accordance with the present
invention;
FIG. 2 is a left side elevational view thereof, shown frag-
mented for ease of illustration;
FIG. 3 is a front end elevational view thereof;
FIG. 4 is a right side elevational view thereof, shown
fragmented for ease of illustration;
FIG. 5 is a rear end elevational view thereof;
FIG. 6 is a top view thereof, shown fragmented for ease of
illustration;
FIG. 7 is a bottom view thereof, shown fragmented for ease
of illustration; and,
FIG. 8 is a top, front and left side perspective view thereof,
shown in an alternate environment.

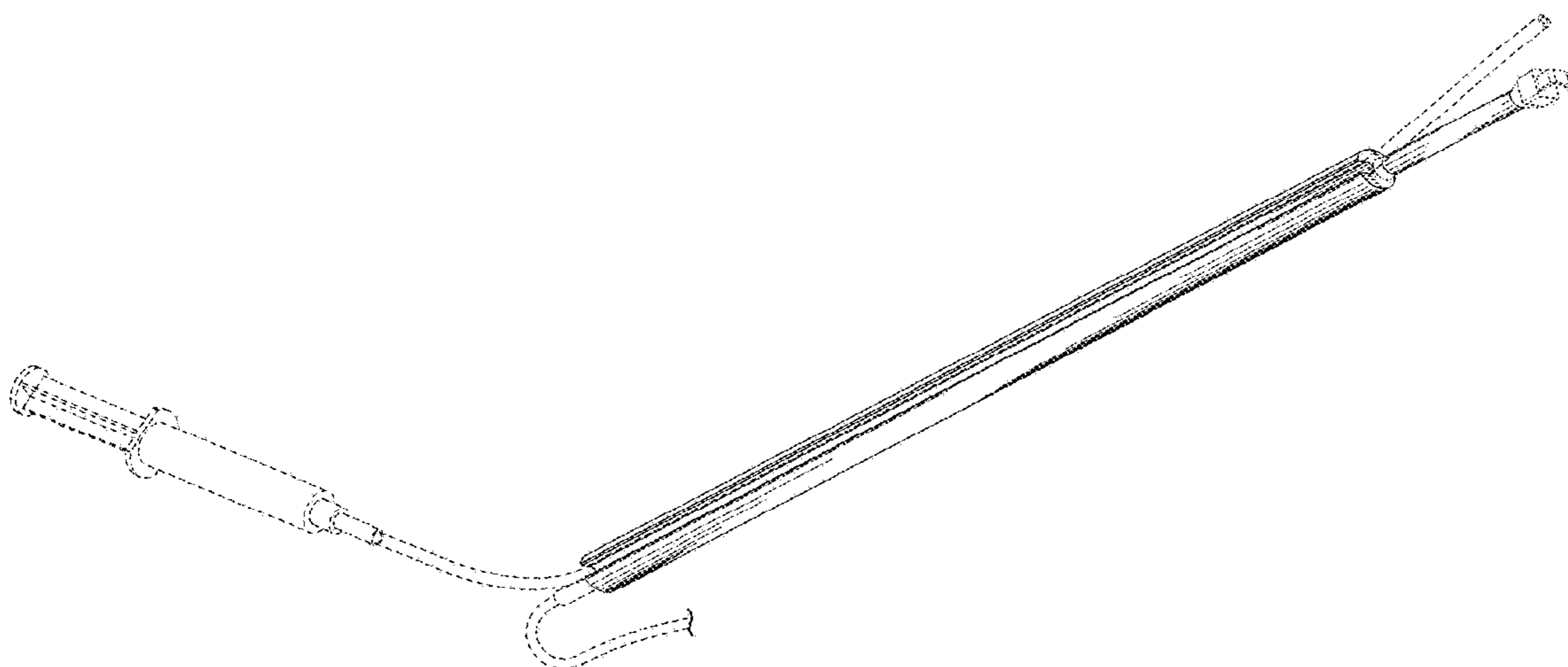
(56) **References Cited**

U.S. PATENT DOCUMENTS

2,234,330	A	3/1941	Zetzsche et al.	
2,444,558	A *	7/1948	Elliott	A45F 5/1046
				16/411
4,417,710	A *	11/1983	Adair	A61C 19/00
				248/205.2
5,505,089	A	4/1996	Weigel	
5,999,847	A	12/1999	Elstrom	
D425,619	S *	5/2000	Bierman	D24/128
D449,192	S *	10/2001	Sheward	D6/580
D479,328	S *	9/2003	Reynolds	D24/127
D653,100	S *	1/2012	Chen	D8/356
8,105,235	B2	1/2012	Ramans et al.	
D715,427	S *	10/2014	Jovet-Hug	D24/128

The broken lines immediately adjacent the shaded areas
represent the bounds of the claimed design and form no part
thereof. The remaining broken lines represent elements
excluded from the claim.

1 Claim, 6 Drawing Sheets



(56)

References Cited

U.S. PATENT DOCUMENTS

2012/0172850 A1* 7/2012 Kappel A61B 1/00149
606/1

* cited by examiner



FIG. 1

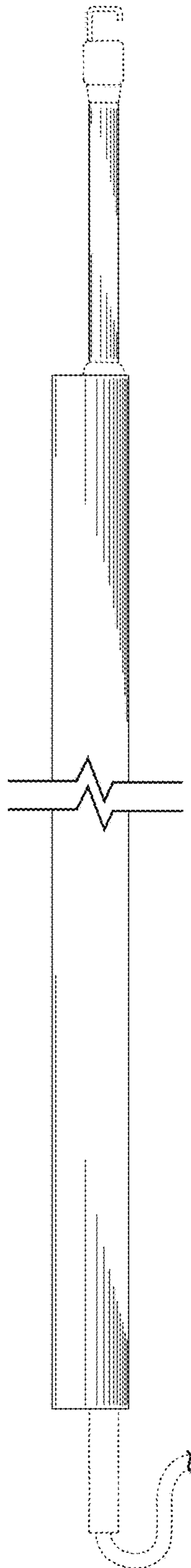


FIG. 2

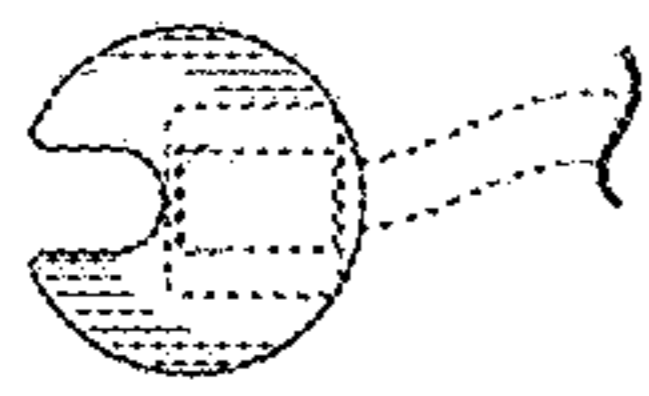


FIG. 3

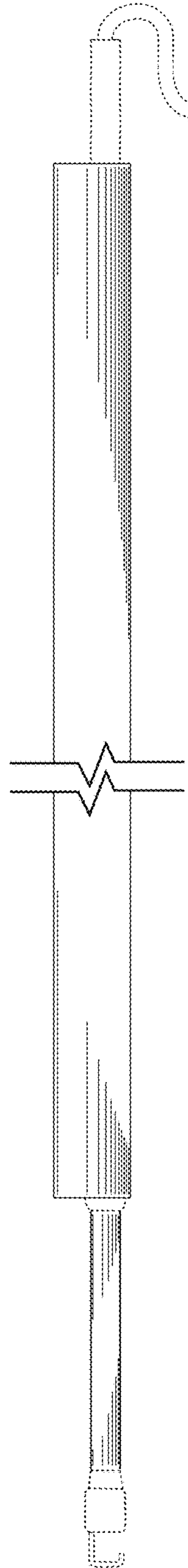


FIG. 4

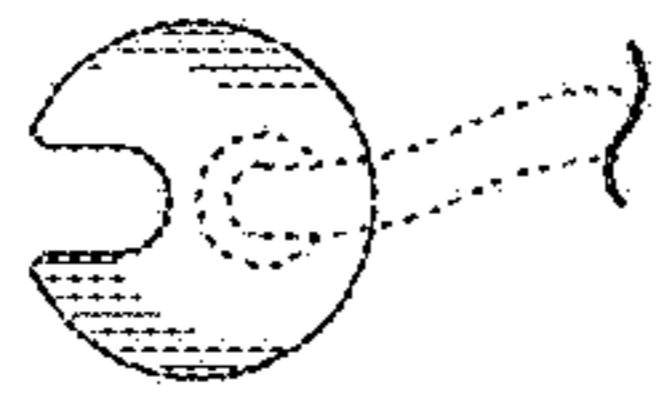


FIG. 5

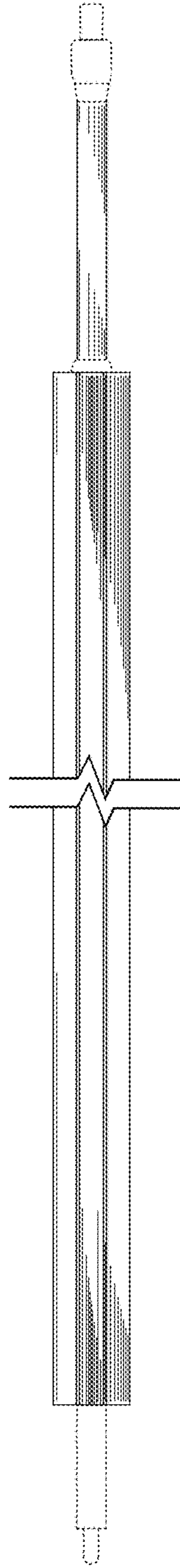


FIG. 6

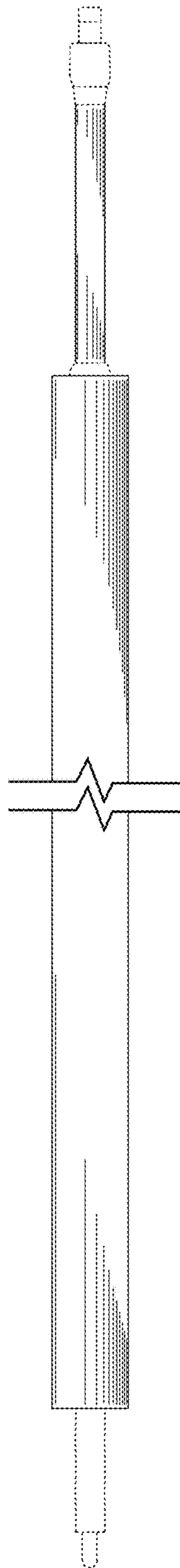


FIG. 7

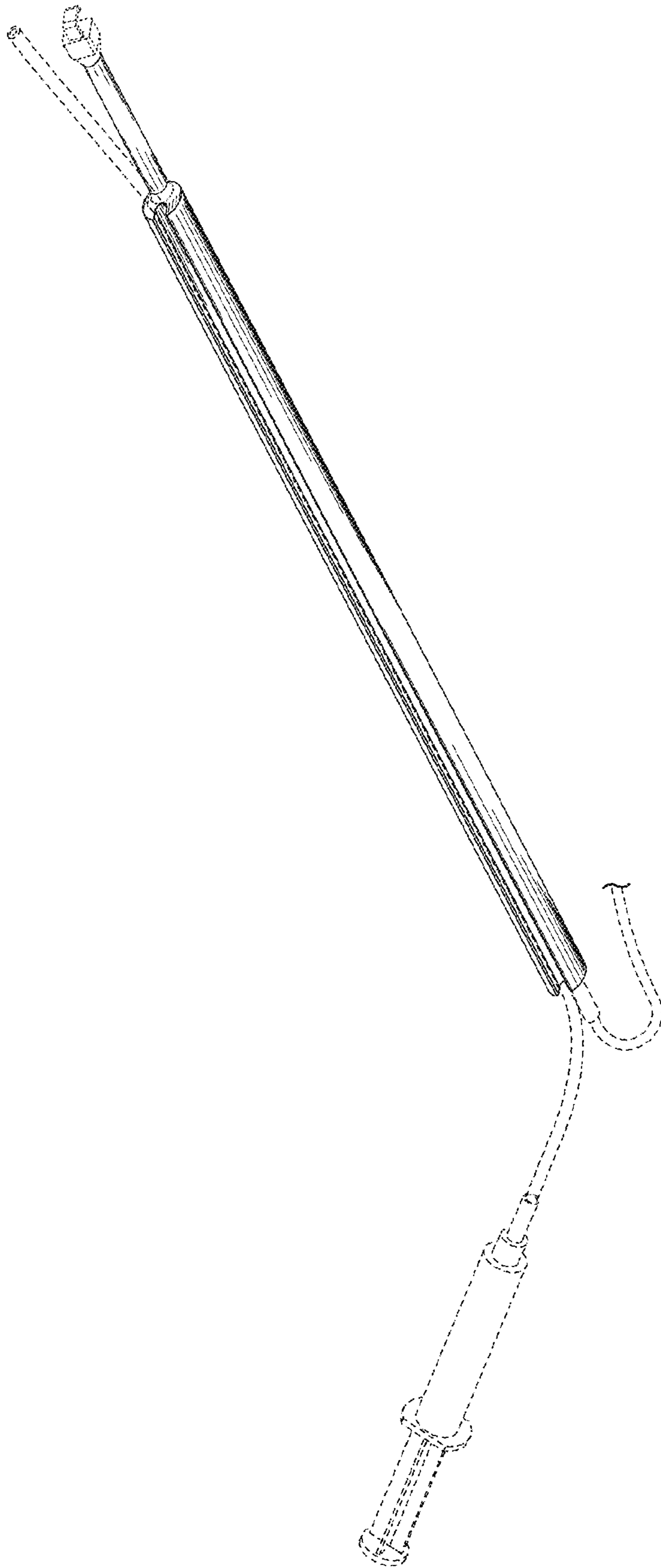


FIG. 8