



US00D778432S

(12) **United States Design Patent** (10) **Patent No.:** **US D778,432 S**
Sanders et al. (45) **Date of Patent:** **** Feb. 7, 2017**

- (54) **SPACER FOR INHALER**
- (71) Applicant: **Clement Clarke International Limited**, Harlow, Essex (GB)
- (72) Inventors: **Mark Sanders**, Dunstable (GB); **David Spencer**, Harlow (GB); **Ronald Bruin**, Harlow (GB)
- (73) Assignee: **Clement Clarke International Limited**, Harlow, Essex (GB)
- (**) Term: **15 Years**
- (21) Appl. No.: **29/543,459**
- (22) Filed: **Oct. 23, 2015**

Related U.S. Application Data

- (62) Division of application No. 29/457,737, filed on Jun. 12, 2013, now Pat. No. Des. 744,636.

Foreign Application Priority Data

- Feb. 14, 2013 (EM) 002184200-0001
- (51) **LOC (10) Cl.** **29-02**
- (52) **U.S. Cl.**
USPC **D24/110.5**
- (58) **Field of Classification Search**
USPC D24/108, 110, 110.5, 110.6, 127, 164
CPC A61M 15/0086; A61M 15/00; A61M 2202/064; A61M 15/0065; A61M 11/002
See application file for complete search history.

References Cited

U.S. PATENT DOCUMENTS

- 3,809,294 A 5/1974 Torgeson
- 3,897,779 A 8/1975 Hansen

- 3,994,421 A 11/1976 Hansen
- D262,320 S 12/1981 Mono
- 4,421,120 A 12/1983 Edwards, Jr. et al.
- D276,654 S 12/1984 Snellman-Wasenius et al.
- 5,012,803 A 5/1991 Foley et al.

(Continued)

FOREIGN PATENT DOCUMENTS

- EP 1044647 10/2000
- EP 1338296 4/2005

(Continued)

OTHER PUBLICATIONS

Clement Clarke International Exhibition Panel, Aug. 2012.

(Continued)

Primary Examiner — Barbara Fox

Assistant Examiner — Lilyana Bekic

(74) *Attorney, Agent, or Firm* — Michael B. Rubin; Bozicevic, Field & Francis LLP

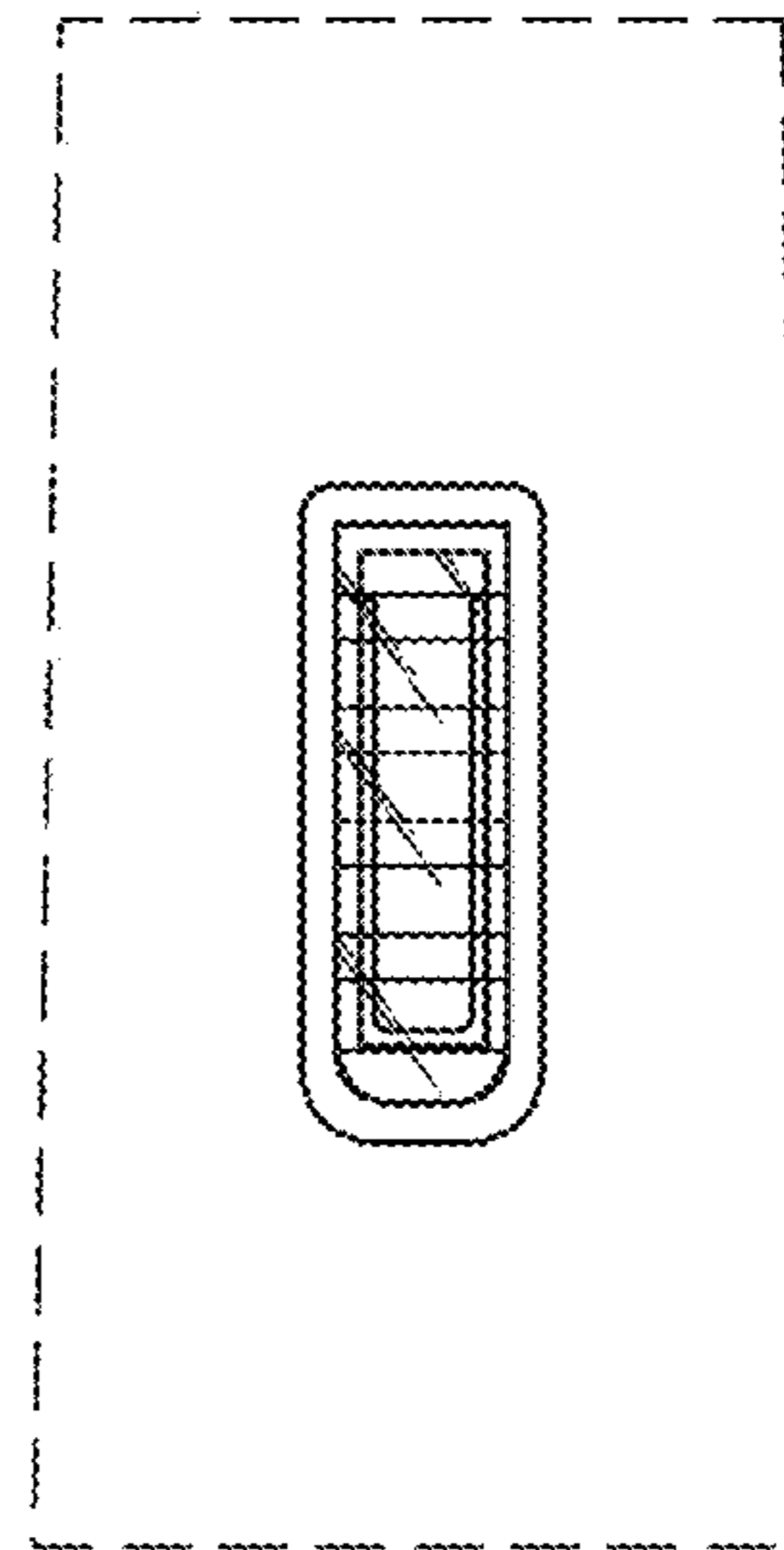
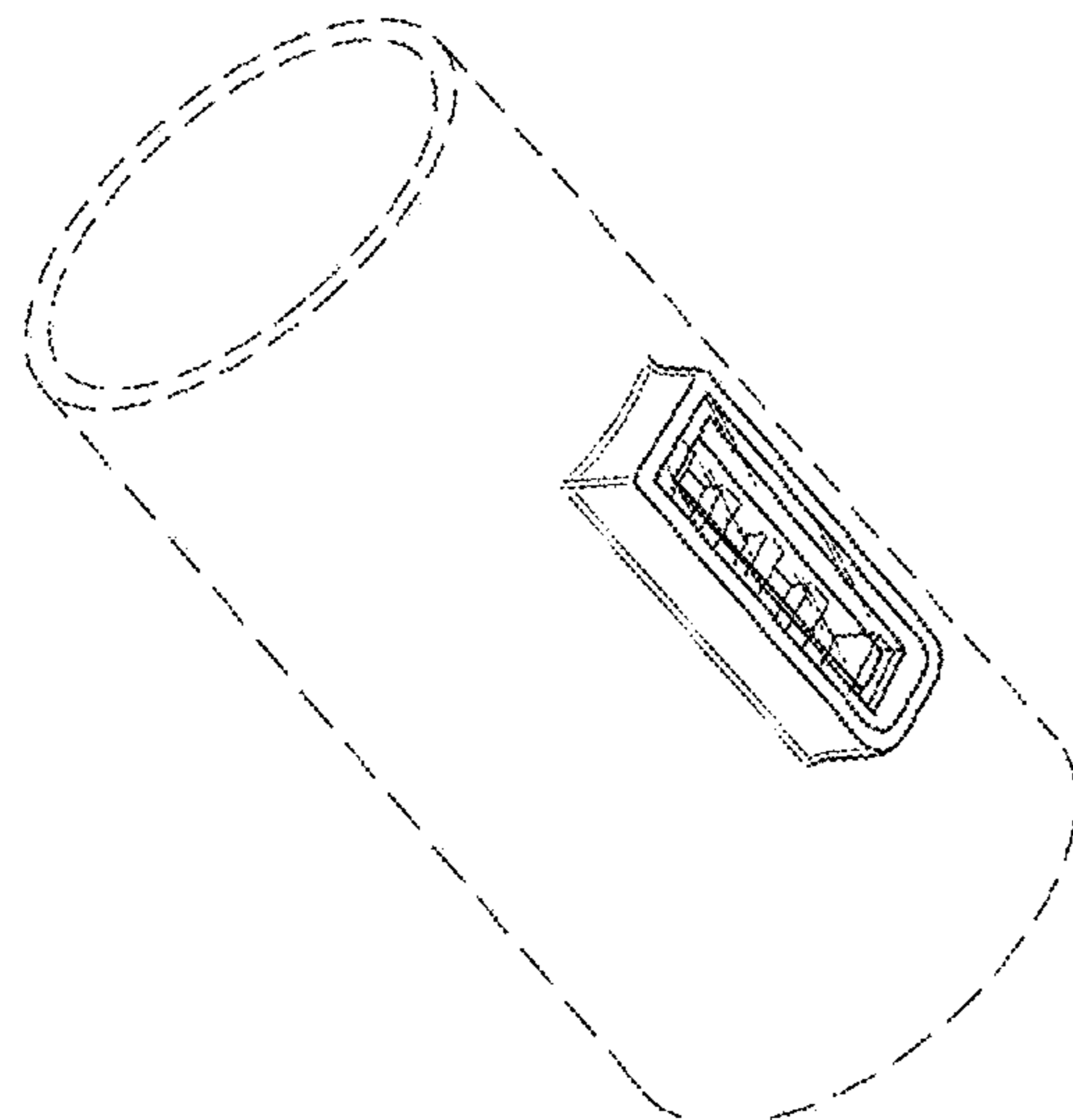
(57) **CLAIM**

The ornamental design for the spacer for inhaler, as shown and described.

DESCRIPTION

FIG. 1 is a perspective view of a spacer for inhaler, showing our new design, FIG. 2 is a front view of the spacer for inhaler of FIG. 1, FIG. 3 is a side view of the spacer for inhaler of FIG. 1, FIG. 4 is a top view of the spacer for inhaler of FIG. 1; and, FIG. 5 is a bottom view of the spacer for inhaler of FIG. 1. The broken lines in the drawings illustrate portions of the spacer for inhaler that form no part of the claimed design.

1 Claim, 5 Drawing Sheets



(56)

References Cited

FOREIGN PATENT DOCUMENTS

U.S. PATENT DOCUMENTS

5,012,804 A 5/1991 Foley et al.
 5,042,467 A 8/1991 Foley
 5,203,323 A 4/1993 Trittle
 5,363,842 A * 11/1994 Mishelevich A61B 8/0875
 128/200.14
 5,477,849 A 12/1995 Fry
 5,505,194 A 4/1996 Adjei et al.
 D373,630 S 9/1996 Berg et al.
 5,758,638 A 6/1998 Kreamer
 5,848,588 A 12/1998 Foley et al.
 5,855,202 A 1/1999 Andrade
 5,970,973 A 10/1999 Gonda et al.
 6,026,807 A 2/2000 Puderbaugh et al.
 6,293,279 B1 9/2001 Schmidt et al.
 6,345,617 B1 2/2002 Engelbreth et al.
 6,435,176 B1 8/2002 Berg et al.
 D463,544 S 9/2002 Engelbreth et al.
 D480,138 S 9/2003 Engelbreth et al.
 D480,806 S 10/2003 Engelbreth et al.
 6,962,152 B1 11/2005 Sladek
 7,360,537 B2 4/2008 Snyder et al.
 7,404,400 B2 7/2008 Lulla et al.
 8,074,641 B2 12/2011 Gallem et al.
 8,371,291 B2 2/2013 Haroutunian
 RE45,068 E 8/2014 Schmidt et al.
 D744,636 S * 12/2015 Sanders D24/110.5
 2002/0121276 A1 9/2002 Genova et al.
 2004/0094148 A1 5/2004 Lulla et al.
 2005/0005929 A1 1/2005 Snyder et al.
 2005/0126561 A1 6/2005 Grychowski et al.
 2008/0035142 A1 2/2008 Lulla et al.
 2014/0007867 A1 1/2014 Bruin et al.
 2016/0049096 A1 * 2/2016 Bruin A63B 21/0087
 434/262

EP 1407794 9/2009
 GB 2104385 1/1985
 GB 2340407 4/2000
 GB 2372704 9/2004
 GB 2490770 11/2012
 WO WO 8802267 4/1988
 WO WO 9730632 8/1997
 WO WO 0107107 2/2001
 WO WO 03013634 2/2003
 WO WO 03097142 11/2003

OTHER PUBLICATIONS

Clement Clarke International Flo-Tone Animation (Video) Aug. 28, 2012: <http://web.archive.org/web/20120902053422/http://www.flo-tone.com/index.html>.
 Clement Clarke International Flo-Tone website p. 2 "About" Aug. 28, 2012: <http://web.archive.org/web/20120902082224/http://www.flo-tone.com/page2.html>.
 Clement Clarke International Flo-Tone website p. 2 "Home" Aug. 28, 2012: <http://web.archive.org/web/20120902053422/http://www.flo-tone.com/index.html>.
 Clement Clarke International Flo-Tone website p. 3 "How to Use" Aug. 28, 2012: <http://web.archive.org/web/20120902060851/http://www.flo-tone.com/page3.html>.
 Clement Clarke International Flo-Tone website p. 4 "Sample" Aug. 28, 2012: <http://web.archive.org/web/20120902053426/http://www.flo-tone.com/page4.html>.
 Clement Clarke International Flo-Tone website p. 5 "Contact" Aug. 28, 2012: <http://web.archive.org/web/20120902081340/http://www.flo-tone.com/page5.html>.
 Clement Clarke International Promotional Card "In-Check Flo-Tone", Aug. 2012.

* cited by examiner

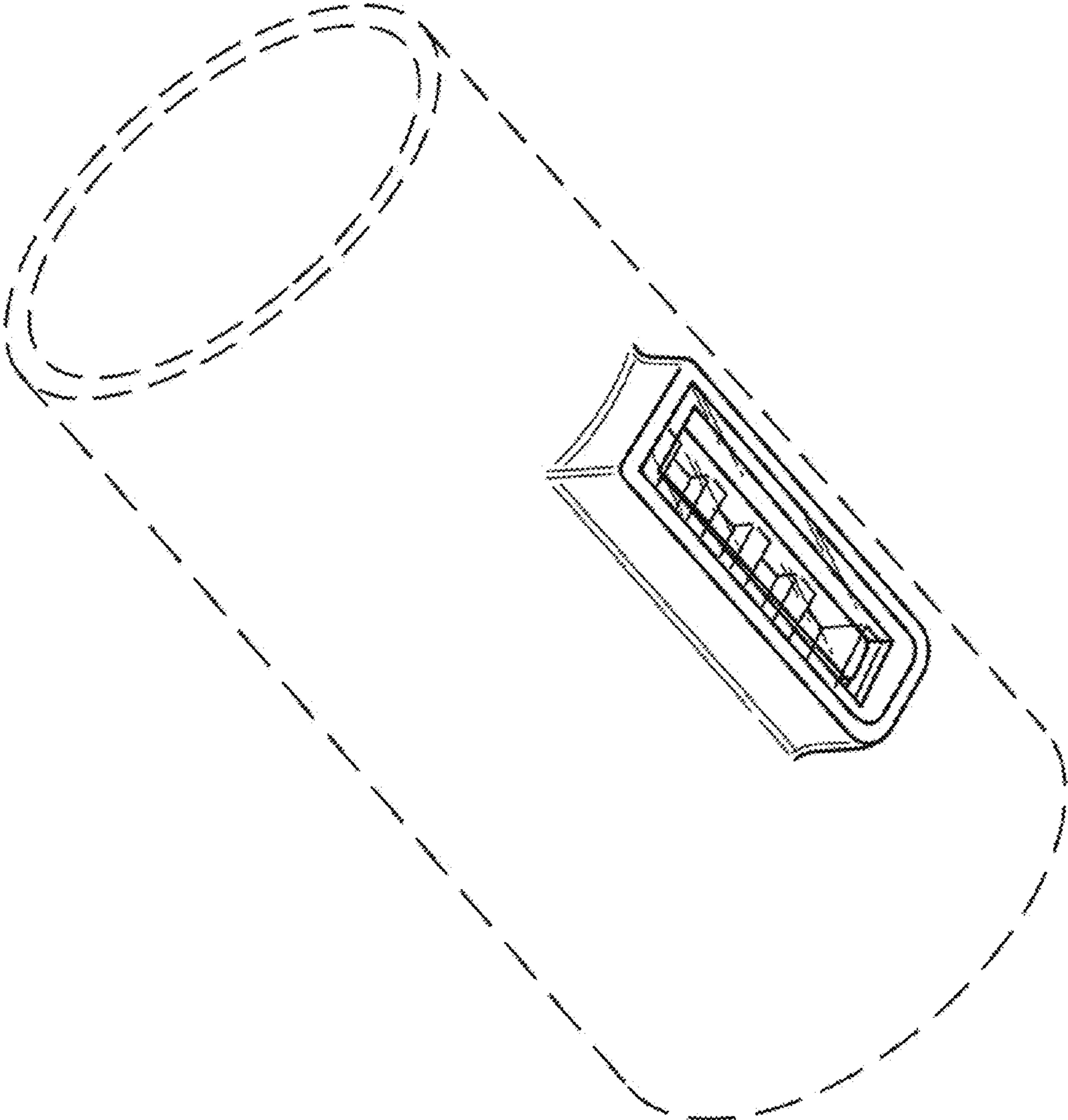


FIG. 1

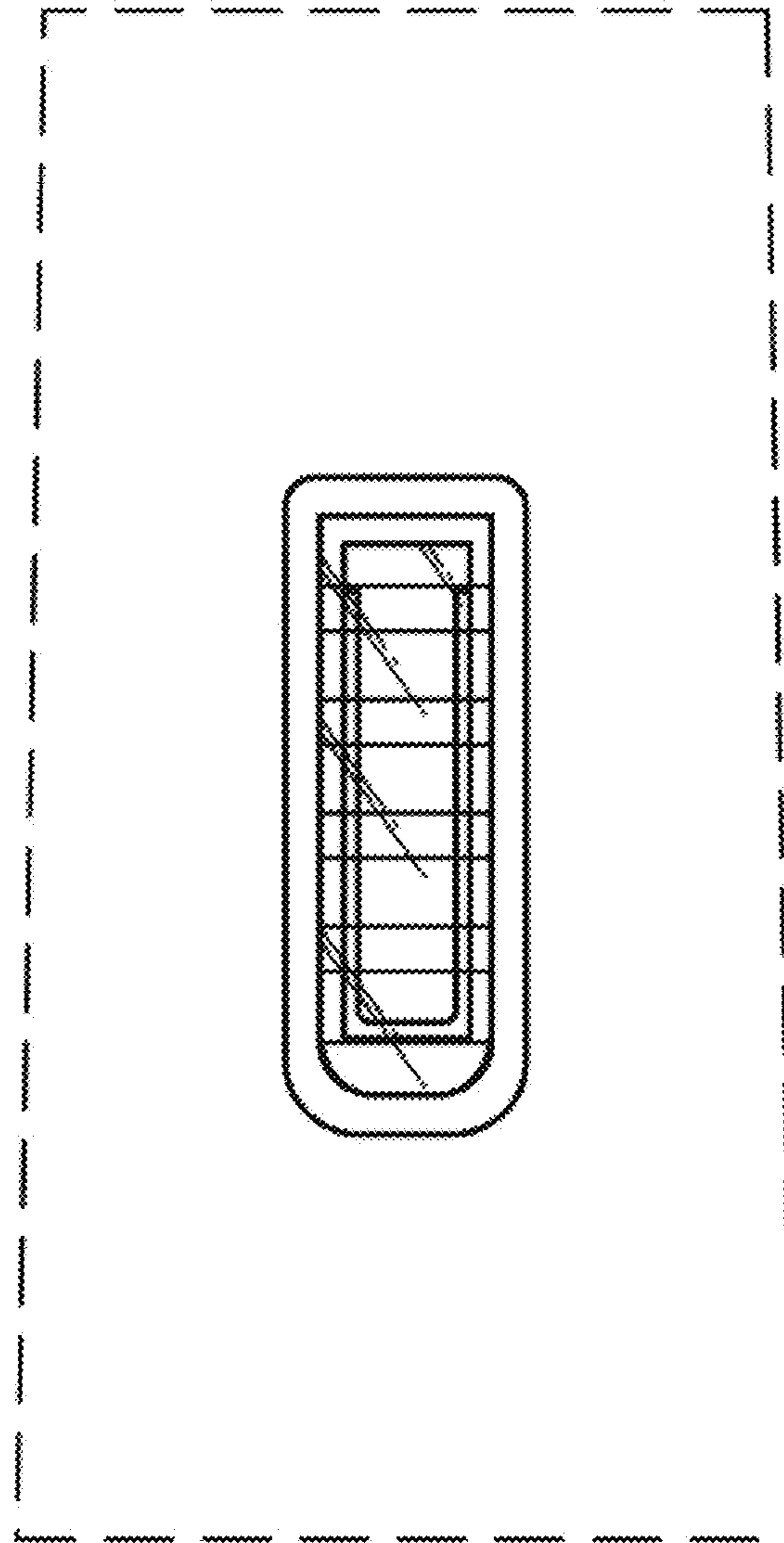


FIG. 2

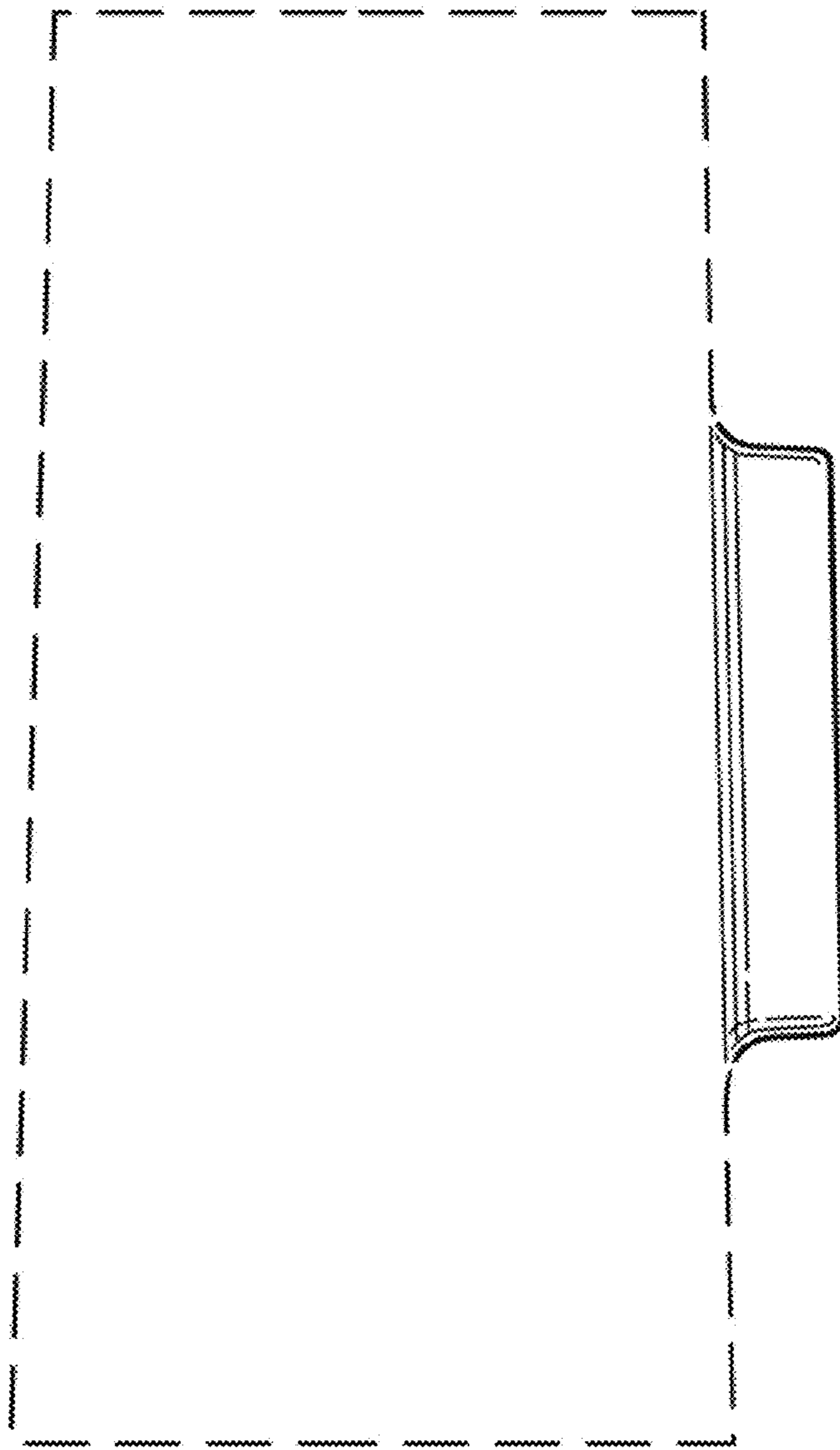


FIG. 3

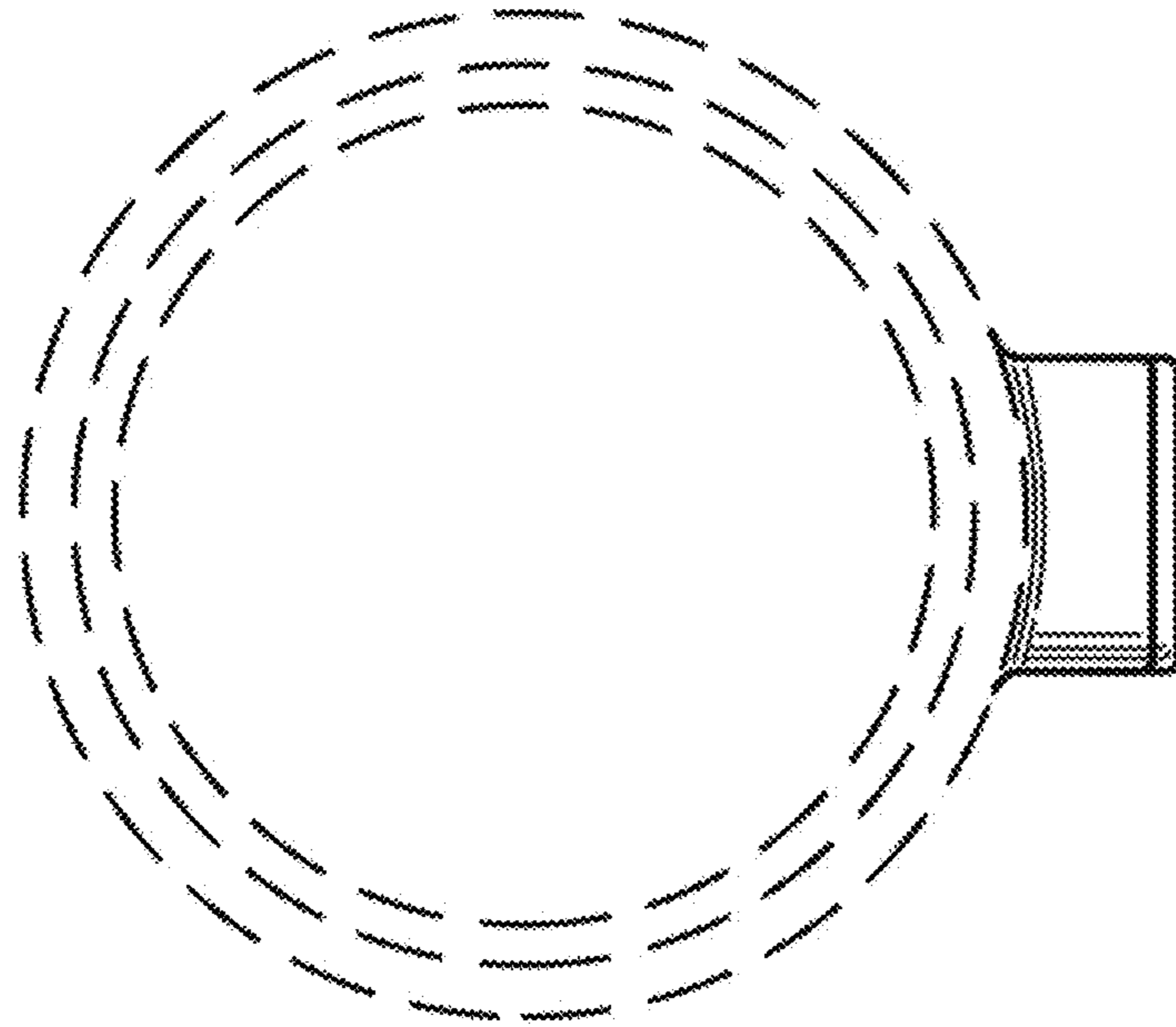


FIG. 4

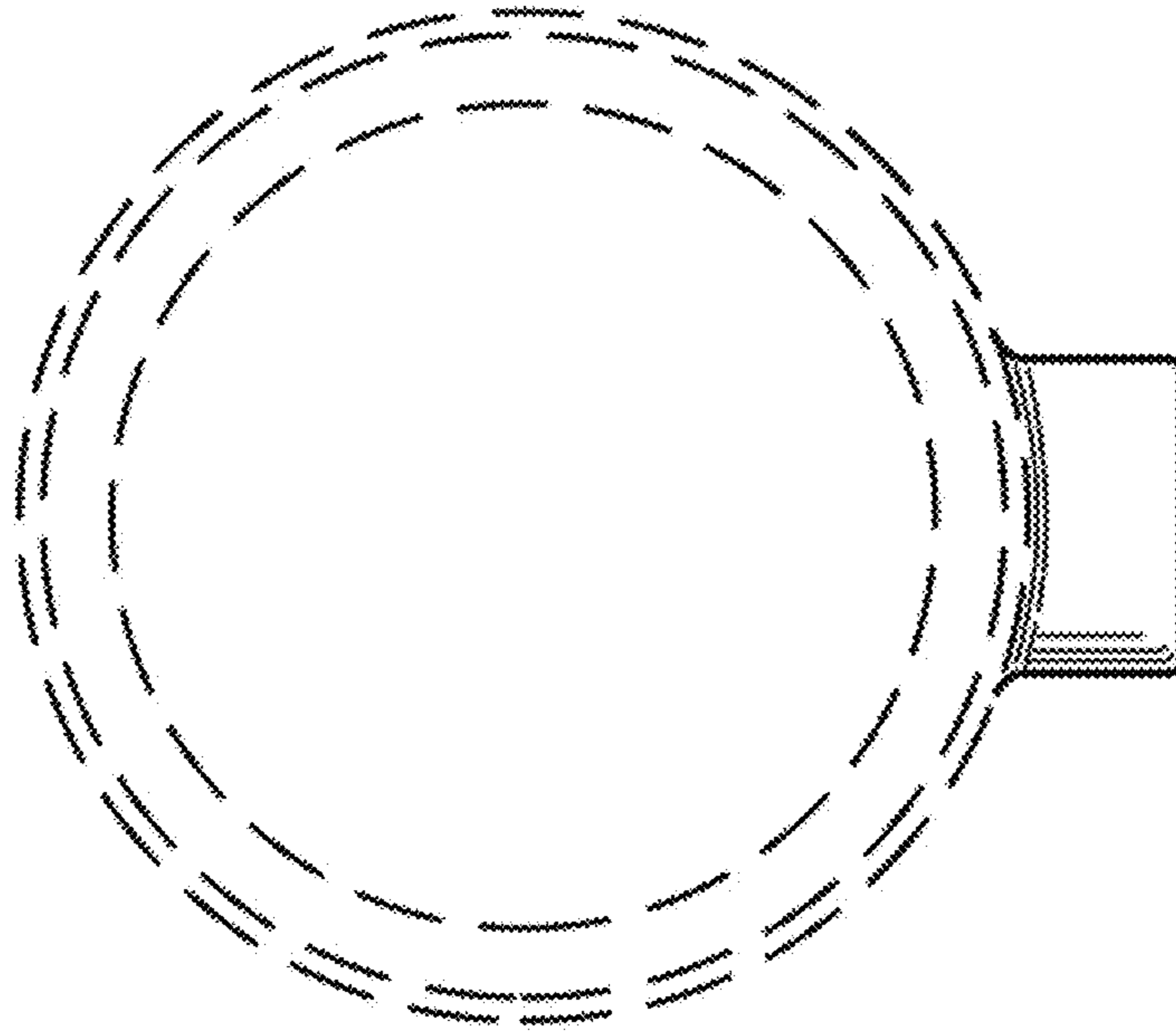


FIG. 5