



US00D778430S

(12) **United States Design Patent** (10) **Patent No.:** **US D778,430 S**
Blomberg et al. (45) **Date of Patent:** **** Feb. 7, 2017**

(54) **FILTER CARTRIDGE**

FOREIGN PATENT DOCUMENTS

(71) Applicant: **3M INNOVATIVE PROPERTIES COMPANY**, St. Paul, MN (US)

CA 82141 10/1997
CA 106801 12/2005

(Continued)

(72) Inventors: **David M. Blomberg**, Lino Lakes, MN (US); **Gary E. Dwyer**, Mallorytown (CA); **Pierre Legare**, Brockville (CA); **Carl W. Raines, III**, Woodbury, MN (US); **Serge Dubeau**, Plymouth, MN (US); **Mark Schulz**, Minneapolis, MN (US); **Charlie Wood**, Minneapolis, MN (US)

Primary Examiner — Barbara Fox
Assistant Examiner — Lilyana Bekic

(57) **CLAIM**

The ornamental design for a filter cartridge, as shown and described.

DESCRIPTION

(73) Assignee: **3M Innovative Properties Company**, St. Paul, MN (US)

FIG. 1 is a front perspective view of the first embodiment showing a new design for a filter cartridge; FIG. 2 is a front view thereof; FIG. 3 is a back view thereof; FIG. 4 is a top view thereof, the bottom view being a mirror image thereof; FIG. 5 is a left view thereof; and FIG. 6 is a right view thereof. FIG. 7 is a front perspective view of the second embodiment showing a new design for a filter cartridge; FIG. 8 is a front view thereof; FIG. 9 is a back view thereof; FIG. 10 is a top view thereof, the bottom view being a mirror image thereof; FIG. 11 is a left view thereof; and FIG. 12 is a right view thereof. FIG. 13 is a front perspective view of the third embodiment showing a new design for a filter cartridge; FIG. 14 is a front view thereof; FIG. 15 is a back view thereof; FIG. 16 is a top view thereof, the bottom view being a mirror image thereof; FIG. 17 is a left view thereof; and FIG. 18 is a right view thereof. The broken lines in the drawings illustrate portions of the filter cartridge that form no part of the claimed design.

(**) Term: **14 Years**

(21) Appl. No.: **29/472,778**

(22) Filed: **Nov. 15, 2013**

(51) **LOC (10) Cl.** **29-02**

(52) **U.S. Cl.**
USPC **D24/110.1**

(58) **Field of Classification Search**
USPC . D24/110, 110.1-110.5, 127, 162; D29/108; D23/311; D28/78; D4/128-138; D10/30-32, 38, 39
CPC A62B 23/02; A62B 18/025; A62B 18/02; A62B 19/00; A62B 18/08; A62B 7/10; A62B 18/00; A62B 23/00; A61M 16/105

See application file for complete search history.

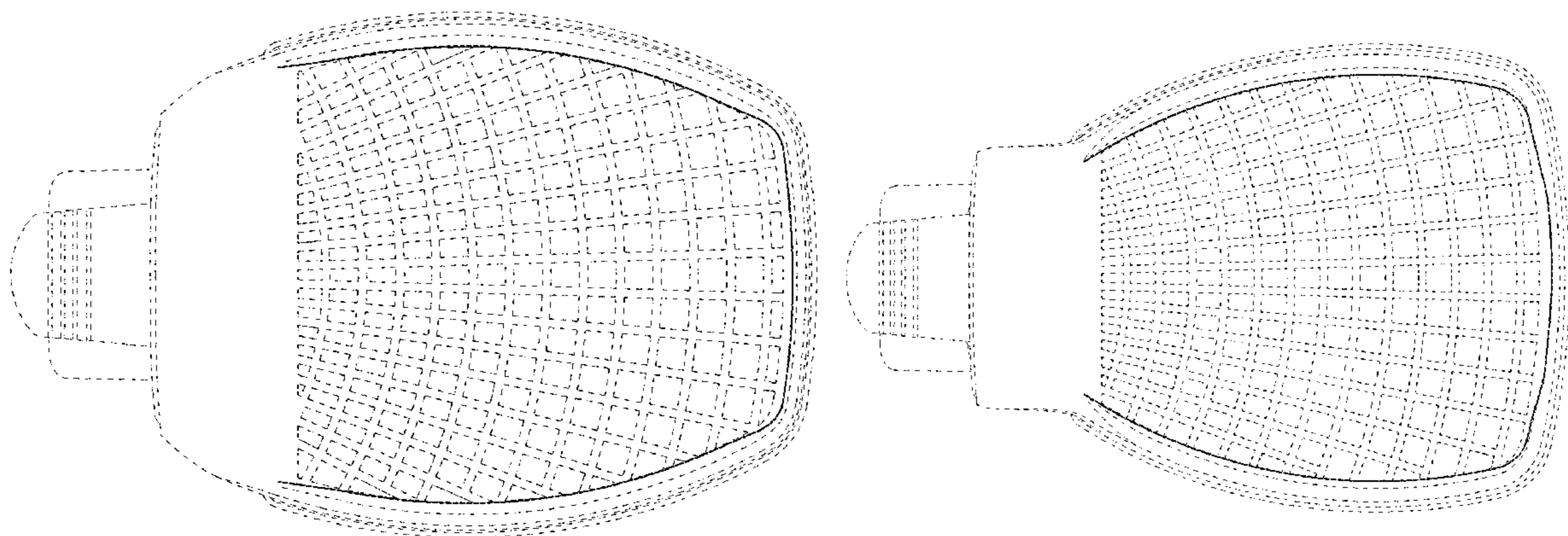
(56) **References Cited**

U.S. PATENT DOCUMENTS

D87,028 S * 5/1932 Shields D28/78
D104,061 S * 4/1937 Bullard D24/110.2

(Continued)

1 Claim, 9 Drawing Sheets



(56)

References Cited

U.S. PATENT DOCUMENTS

D107,898 S * 1/1938 Wewetzer D28/78
 D108,879 S * 3/1938 O'Leary D24/110.2
 D191,003 S * 8/1961 Miley D10/18
 4,179,274 A * 12/1979 Moon A62B 23/02
 128/206.17
 D270,957 S * 10/1983 Maryyanek D24/110.4
 D286,213 S * 10/1986 Maryyanek D24/110.1
 4,630,604 A * 12/1986 Montesi A62B 18/025
 128/206.15
 D290,535 S * 6/1987 Chen D28/78
 5,062,421 A * 11/1991 Burns A62B 18/025
 128/205.27
 D339,658 S 9/1993 Lahteenmaki
 D359,819 S * 6/1995 McIlvain D28/78
 5,592,935 A * 1/1997 Elstran A62B 7/02
 128/205.25
 5,647,356 A * 7/1997 Osendorf A62B 27/00
 128/202.27
 5,659,296 A * 8/1997 Debe A62B 18/088
 128/202.22
 5,666,949 A * 9/1997 Debe A62B 18/088
 116/206
 5,689,833 A * 11/1997 Allen A62B 18/084
 128/201.15
 D401,017 S * 11/1998 Thorpe D28/78
 D429,850 S * 8/2000 Wilson D28/78
 6,176,239 B1 * 1/2001 Grove A62B 18/02
 128/201.15
 D493,111 S * 7/2004 Afshar D10/32
 D496,495 S * 9/2004 Jeffers D28/73
 D515,947 S * 2/2006 Jorst D10/39
 D518,571 S 4/2006 Martin
 D537,513 S 2/2007 Spiegel
 D541,413 S * 4/2007 Jarvinen D24/110.1
 D555,777 S * 11/2007 Aveldson D23/365
 D574,264 S * 8/2008 Fasciano D10/39
 7,419,526 B2 * 9/2008 Greer A62B 23/02
 55/497
 D599,472 S 9/2009 Klausning
 D643,099 S 8/2011 Bates et al.
 D650,708 S * 12/2011 Laucella D10/39
 8,089,367 B2 * 1/2012 Locke G01N 29/036
 340/540
 D677,780 S 3/2013 Choi
 D677,781 S 3/2013 Choi
 D678,508 S 3/2013 Choi
 D683,446 S 5/2013 Eves
 8,459,200 B2 * 6/2013 Battiato A62B 18/088
 116/206
 8,590,532 B2 * 11/2013 Forbes A62B 17/04
 128/205.27
 D696,396 S 12/2013 Eves
 D745,962 S * 12/2015 Dwyer D24/110.1
 D746,438 S * 12/2015 Dwyer D24/110.1
 D757,247 S * 5/2016 Dwyer D24/110.1
 D757,928 S * 5/2016 Blomberg D24/110.1
 D763,437 S * 8/2016 Dwyer D24/110.1
 2002/0069762 A1 * 6/2002 Estkowski A62B 23/02
 96/135
 2002/0195108 A1 * 12/2002 Mittelstadt A61M 16/06
 128/206.15
 2002/0195109 A1 * 12/2002 Mittelstadt F16K 15/16
 128/206.15
 2004/0055604 A1 * 3/2004 Viner A62B 23/02
 128/206.16
 2005/0109343 A1 * 5/2005 Flanningan B29C 45/1676
 128/206.17
 2005/0145249 A1 * 7/2005 Solyntjes A62B 23/02
 128/205.25
 2006/0254427 A1 * 11/2006 Trend D04H 1/565
 96/154
 2007/0235031 A1 * 10/2007 Betz A62B 18/02
 128/206.21

2007/0235032 A1 * 10/2007 Betz A62B 18/02
 128/206.24
 2008/0063575 A1 * 3/2008 Rakow G01N 21/783
 422/119
 2009/0215618 A1 * 8/2009 Fansler C08K 5/17
 502/402
 2010/0206311 A1 * 8/2010 Flannigan A62B 18/025
 128/207.12
 2010/0218761 A1 * 9/2010 Flannigan A62B 18/025
 128/201.19
 2010/0294272 A1 * 11/2010 Holmquist-Brown A62B 18/088
 128/202.22
 2010/0294273 A1 * 11/2010 Rakow A62B 18/088
 128/202.22
 2010/0294274 A1 * 11/2010 Poirier A62B 18/088
 128/202.22
 2011/0094514 A1 * 4/2011 Rakow A62B 18/088
 128/206.12
 2011/0283505 A1 * 11/2011 Billingsley A62B 19/00
 29/428
 2011/0284006 A1 * 11/2011 Legare A62B 7/10
 128/205.27
 2013/0125896 A1 * 5/2013 Dwyer A62B 18/02
 128/206.17
 2013/0186279 A1 * 7/2013 Dwyer A62B 7/10
 96/418
 2014/0034049 A1 * 2/2014 Castiglione A62B 9/04
 128/202.27
 2014/0216447 A1 * 8/2014 Kihlberg A62B 18/08
 128/201.19
 2014/0216448 A1 * 8/2014 Kihlberg A62B 18/08
 128/201.19
 2014/0216473 A1 * 8/2014 Dwyer A62B 18/10
 128/863
 2014/0216474 A1 * 8/2014 Mittelstadt A62B 27/00
 128/863
 2014/0216475 A1 * 8/2014 Blomberg A62B 9/04
 128/863
 2014/0251327 A1 * 9/2014 Mittelstadt A62B 18/10
 128/202.22
 2015/0136141 A1 * 5/2015 Mittelstadt A62B 18/025
 128/206.15
 2015/0136142 A1 * 5/2015 Blomberg A62B 7/10
 128/206.17
 2015/0202473 A1 * 7/2015 Curran A62B 18/006
 128/202.27
 2015/0290478 A1 * 10/2015 Curran A62B 18/006
 128/201.25
 2015/0336718 A1 * 11/2015 Dwyer B65D 43/162
 128/205.12

FOREIGN PATENT DOCUMENTS

CN 3342471 12/2003
 CN 3457902 6/2005
 CN 3674586 7/2007
 CN 300757753 3/2008
 CN 300801845 7/2008
 CN 301345091 9/2010
 CN 301787238 1/2012
 CN 301841897 2/2012
 CN 301863214 3/2012
 CN 302193139 11/2012
 CN 302193145 11/2012
 CN 302386273 4/2013
 CN 302571626 9/2013
 CN 302675143 12/2013
 CN 302754689 3/2014
 DE M9107635-0001 6/1992
 EM 000096961-0001 2/2004
 EM 001233373-0002 10/2010
 EM 001233373-0003 10/2010
 EM 001851163-0007 4/2011
 EM 001851163-0009 4/2011
 EM 001871401-0001 8/2011
 EM 001871401-0003 8/2011
 EM 001871401-0004 8/2011

(56)

References Cited

FOREIGN PATENT DOCUMENTS

EM	001871401-0005	8/2011	JP	D1489843	1/2014
EM	001352645-0001	12/2012	KR	300365183.0000	10/2004
EM	001352645-0002	12/2012	KR	300387985.0000	7/2005
EM	001355259-0001	1/2013	KR	300402015.0000	12/2005
EM	001355259-0002	1/2013	KR	300484303.0000	3/2008
EM	001378673-0001	8/2013	KR	300497704.0000	7/2008
EM	0023326500-002	10/2013	KR	300505691.0000	9/2008
EM	001401335-0001	1/2014	KR	300514863.0000	12/2008
EM	001401335-0002	1/2014	KR	300516185.0000	12/2008
EM	001401335-0003	1/2014	KR	300526158.0000	4/2009
EM	001401335-0004	1/2014	KR	300542031.0000	10/2009
EM	001401335-0005	1/2014	KR	300563142.0000	5/2010
EM	001401335-0006	1/2014	KR	300649412.0000	6/2012
EM	001405609-0001	3/2014	KR	300649413.0000	6/2012
EM	001405609-0002	3/2014	KR	300662871.0000	10/2012
EM	001405609-0003	3/2014	KR	300683043.0000	2/2013
EM	001405609-0004	3/2014	KR	300683052.0000	2/2013
FR	916655-001	10/1991	KR	300683069.0000	2/2013
FR	972590-001	4/1997	KR	300684091.0000	3/2013
GB	2078022	2/1999	KR	300726258.0000	1/2014
JP	D1253605	9/2005	KR	300726303.0000	1/2014
JP	D1334600	5/2008	RU	54591	6/2004
JP	D1423131	8/2011	RU	54593	6/2004
JP	D1424448	9/2011	RU	60303	10/2006
JP	D1433068	1/2012	RU	00063184	6/2007
			RU	75067	6/2010
			RU	84538	2/2013
			RU	84860	4/2013

* cited by examiner

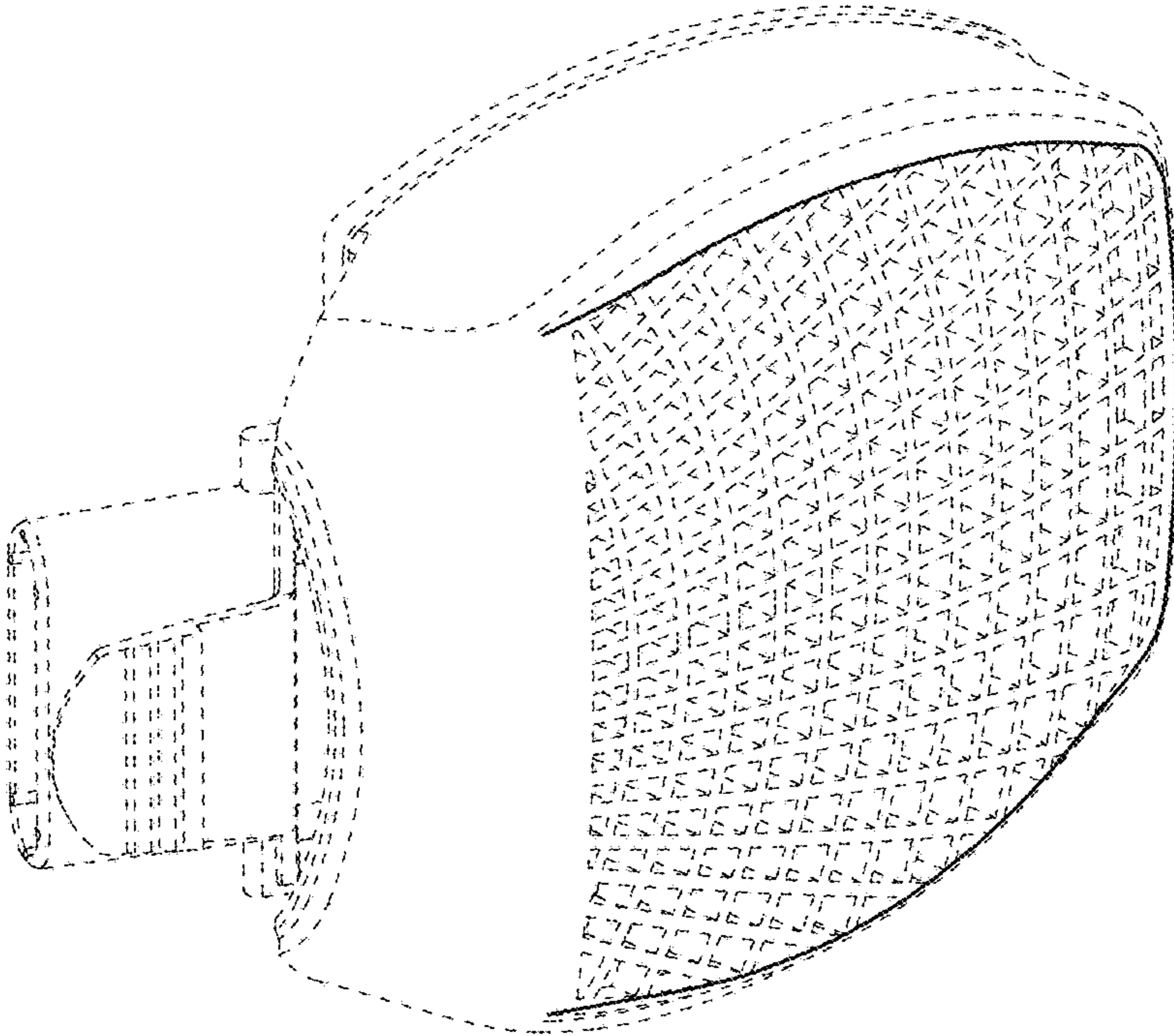


Fig. 1

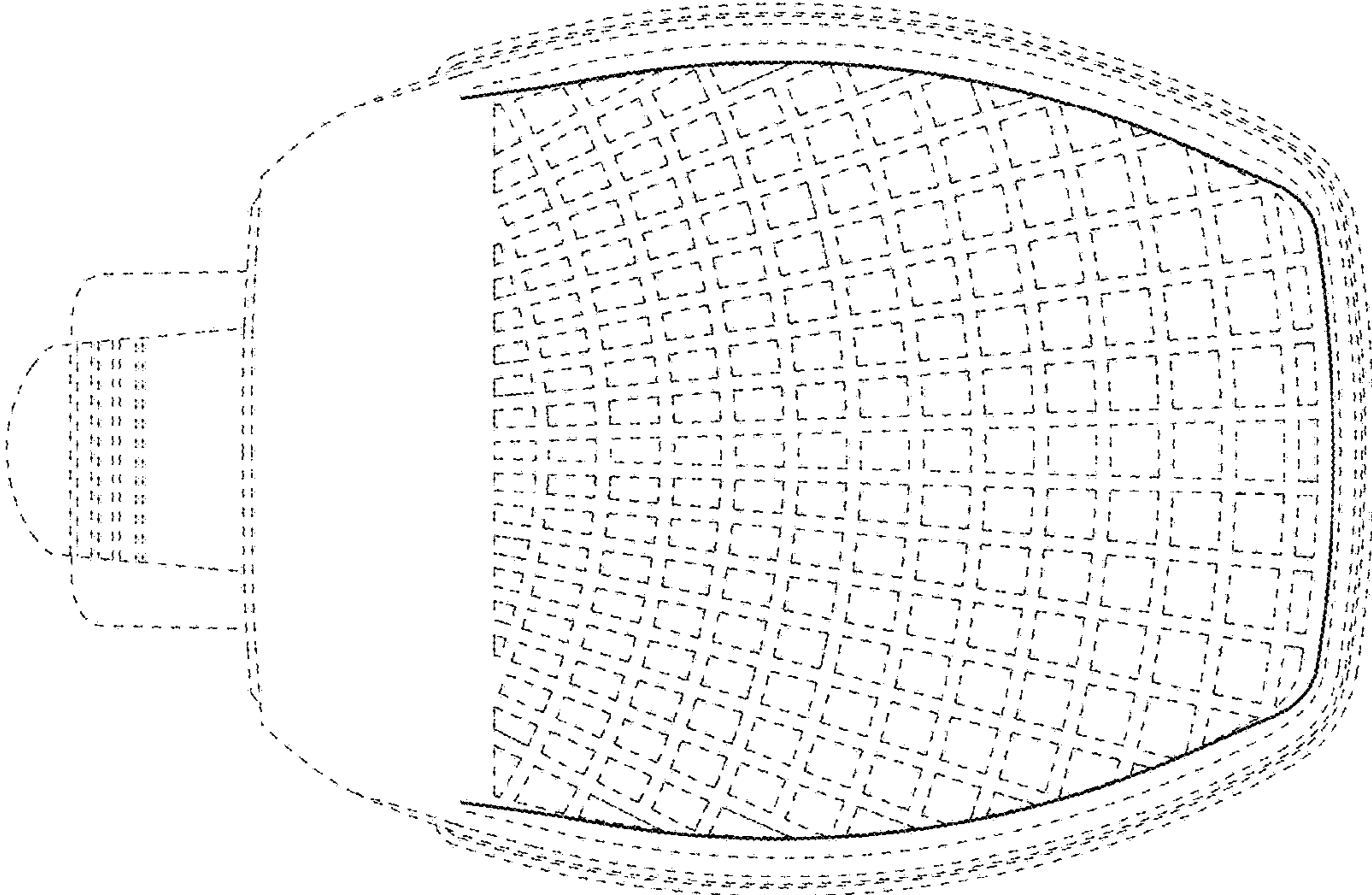


Fig. 2

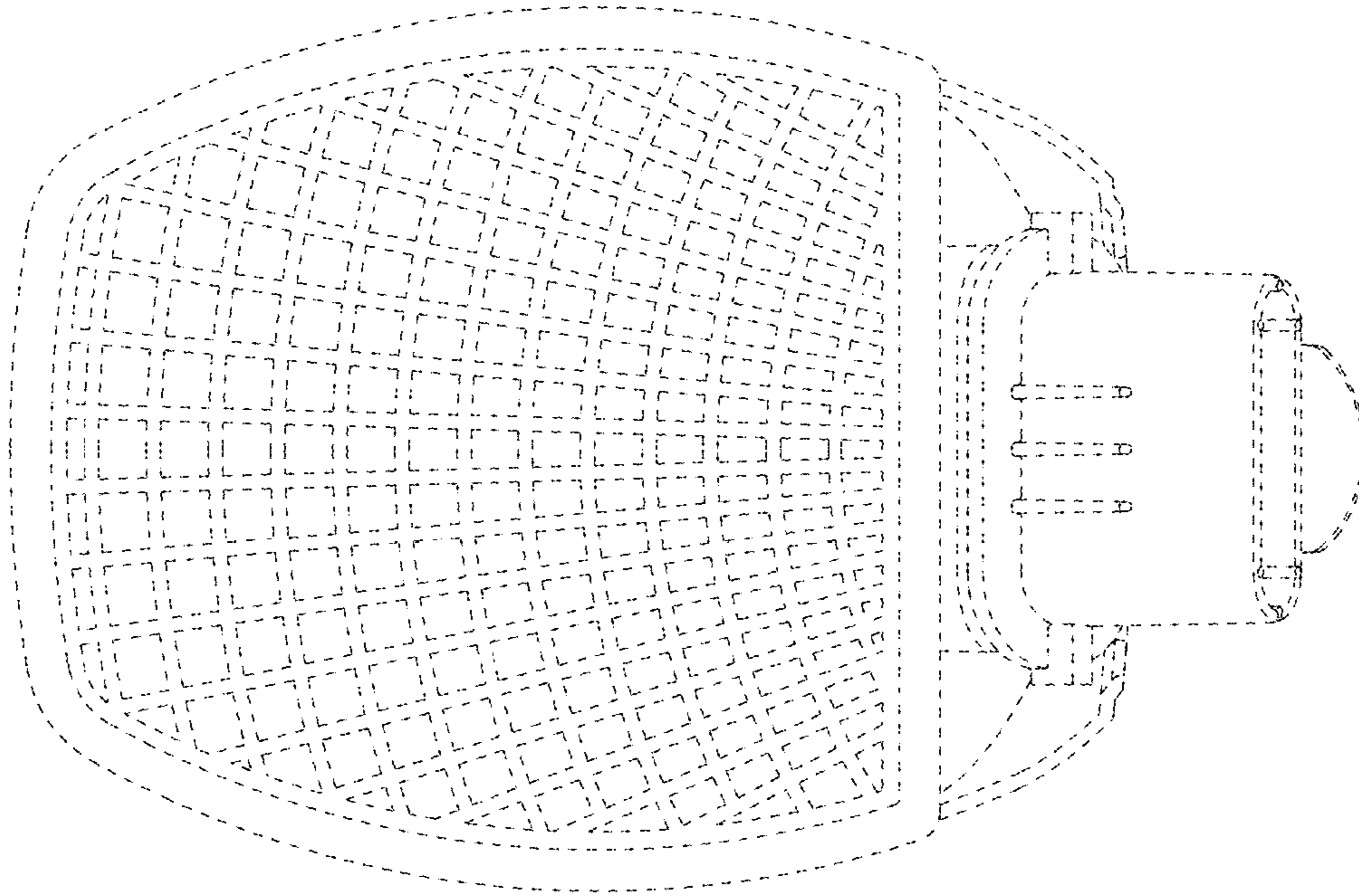


Fig. 3

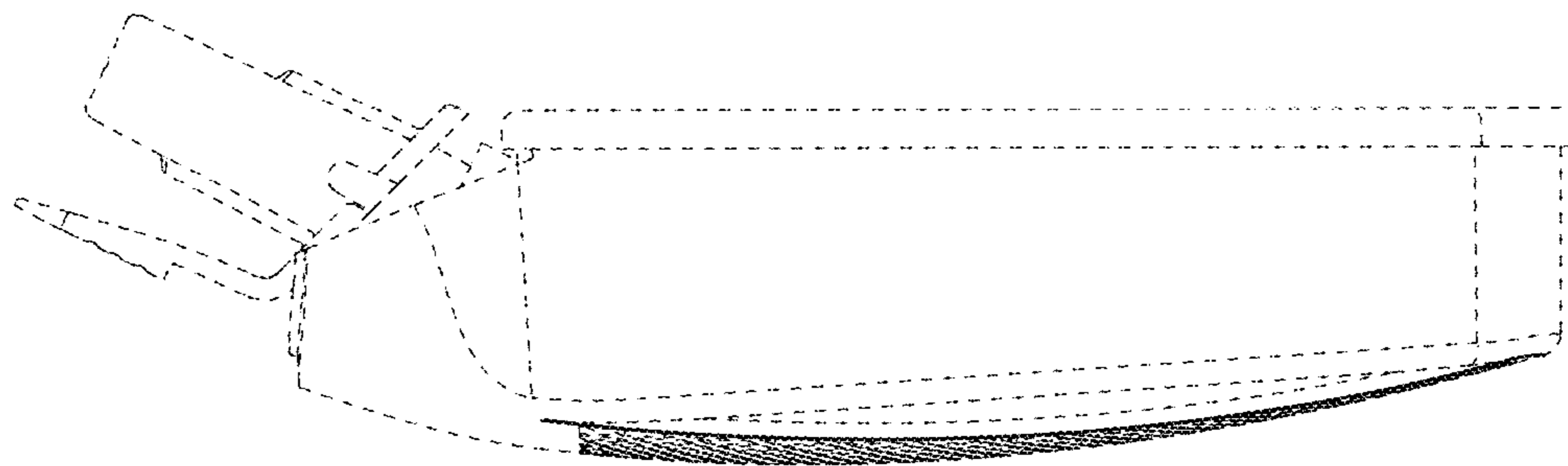


Fig. 4

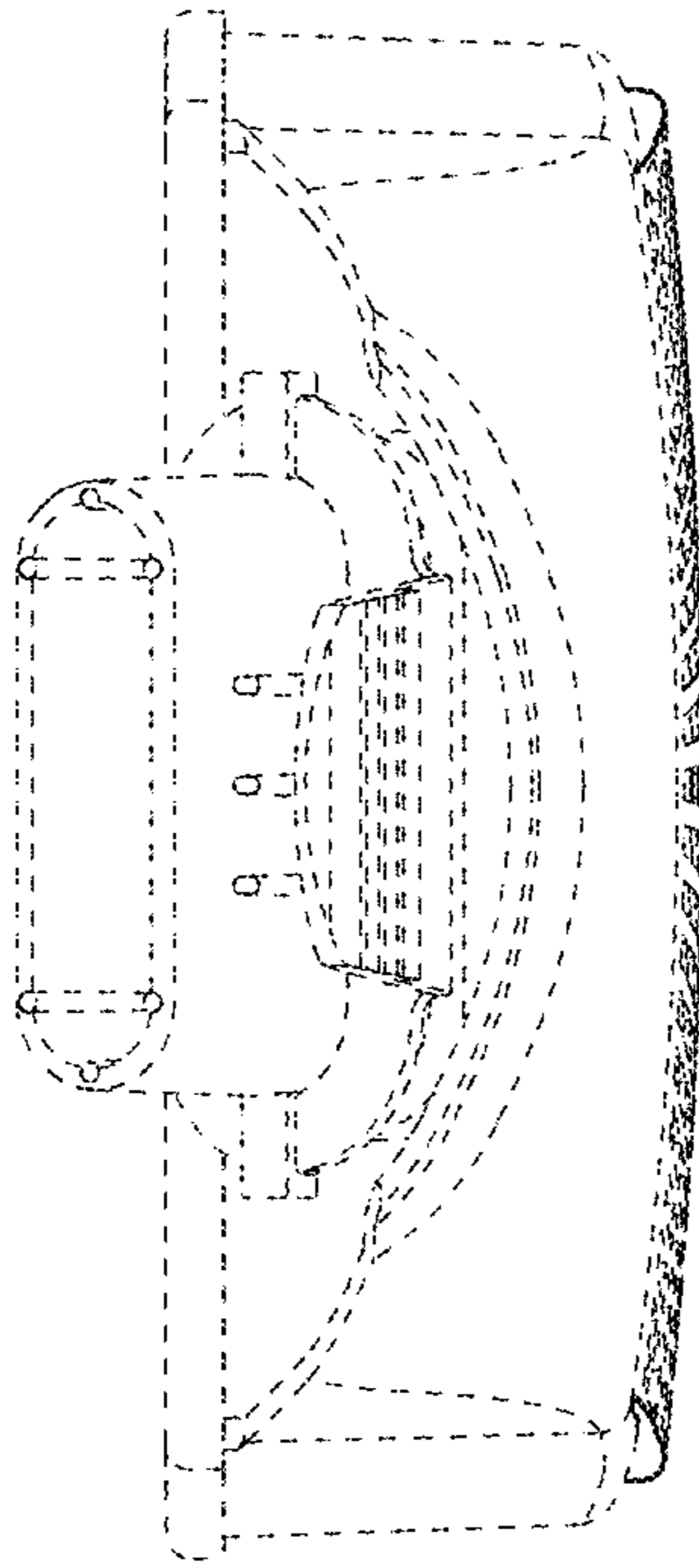


Fig. 5

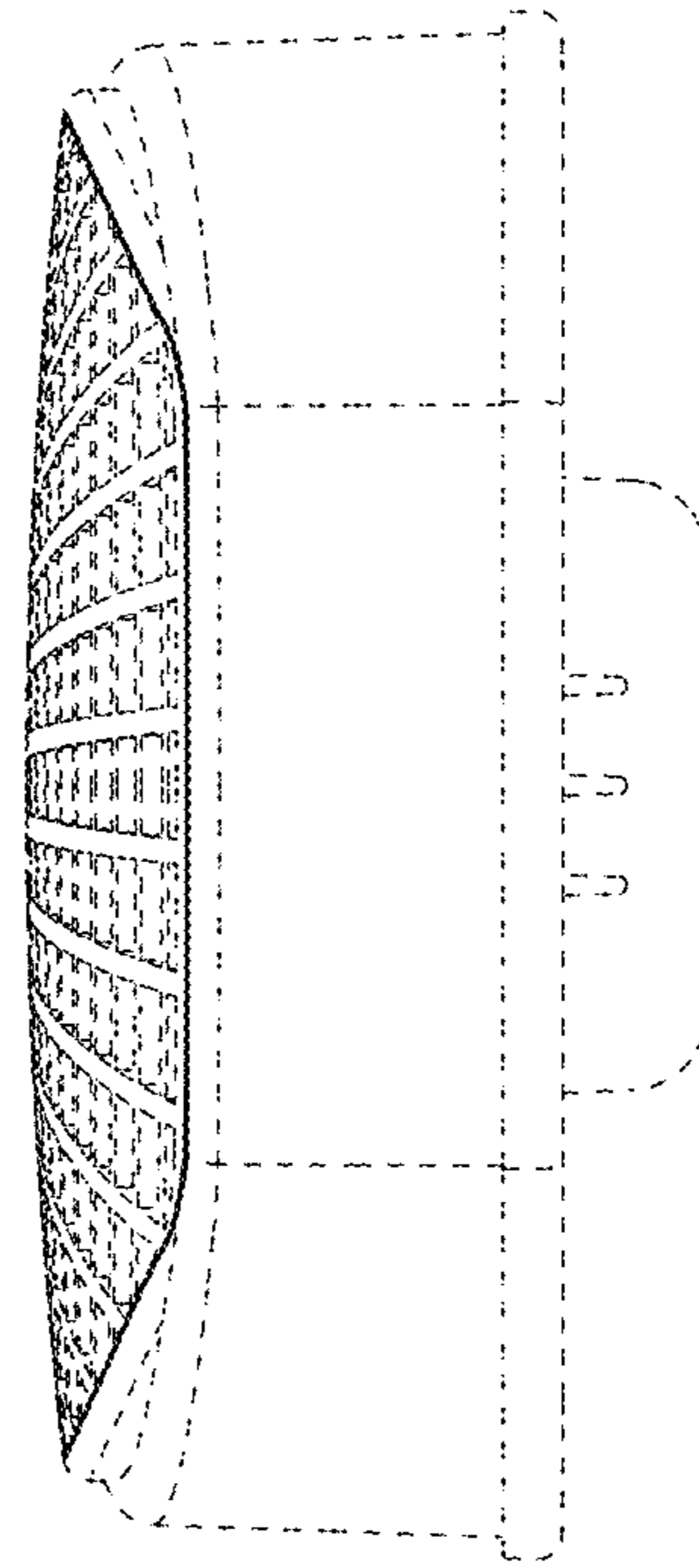


Fig. 6

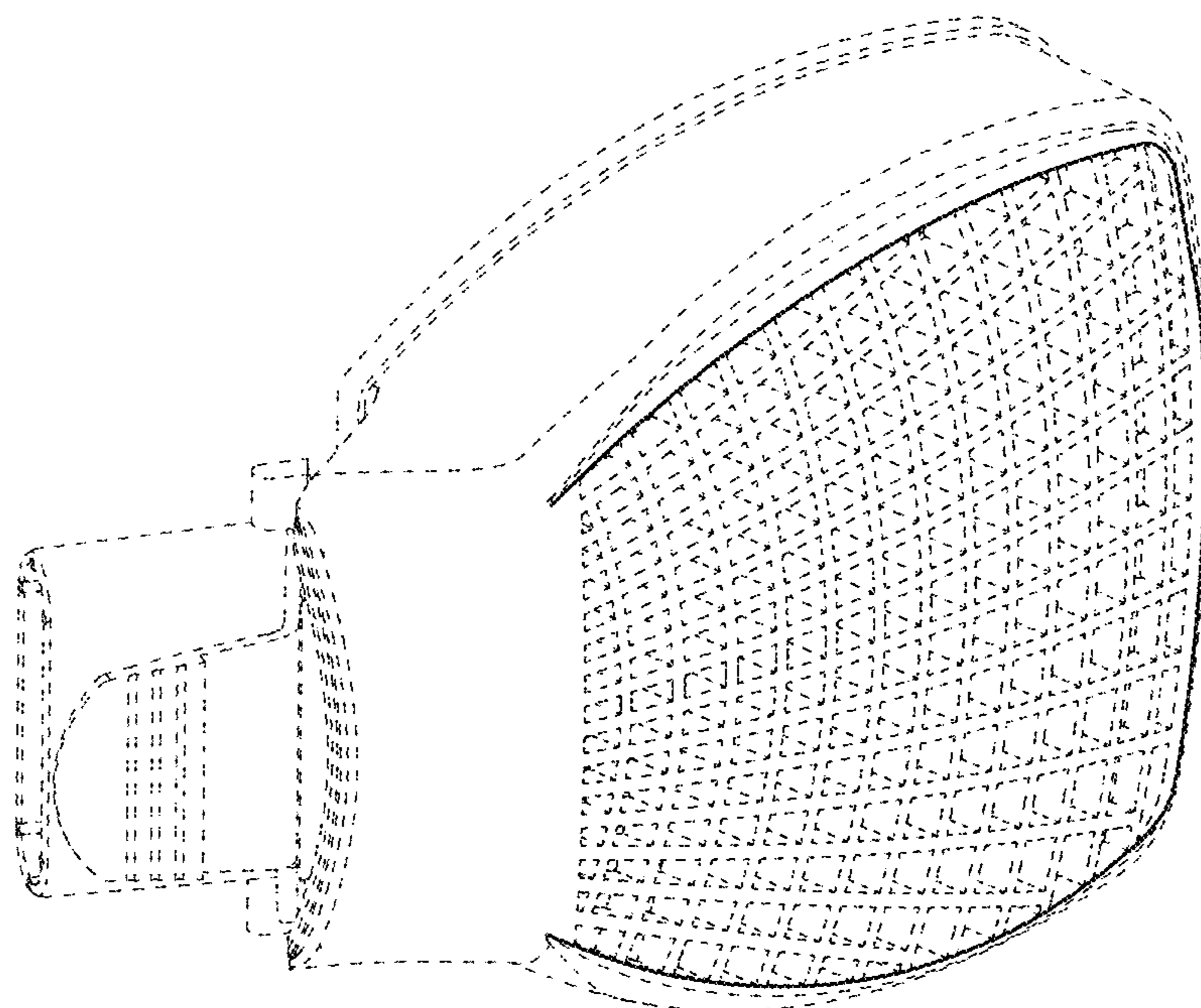


Fig. 7

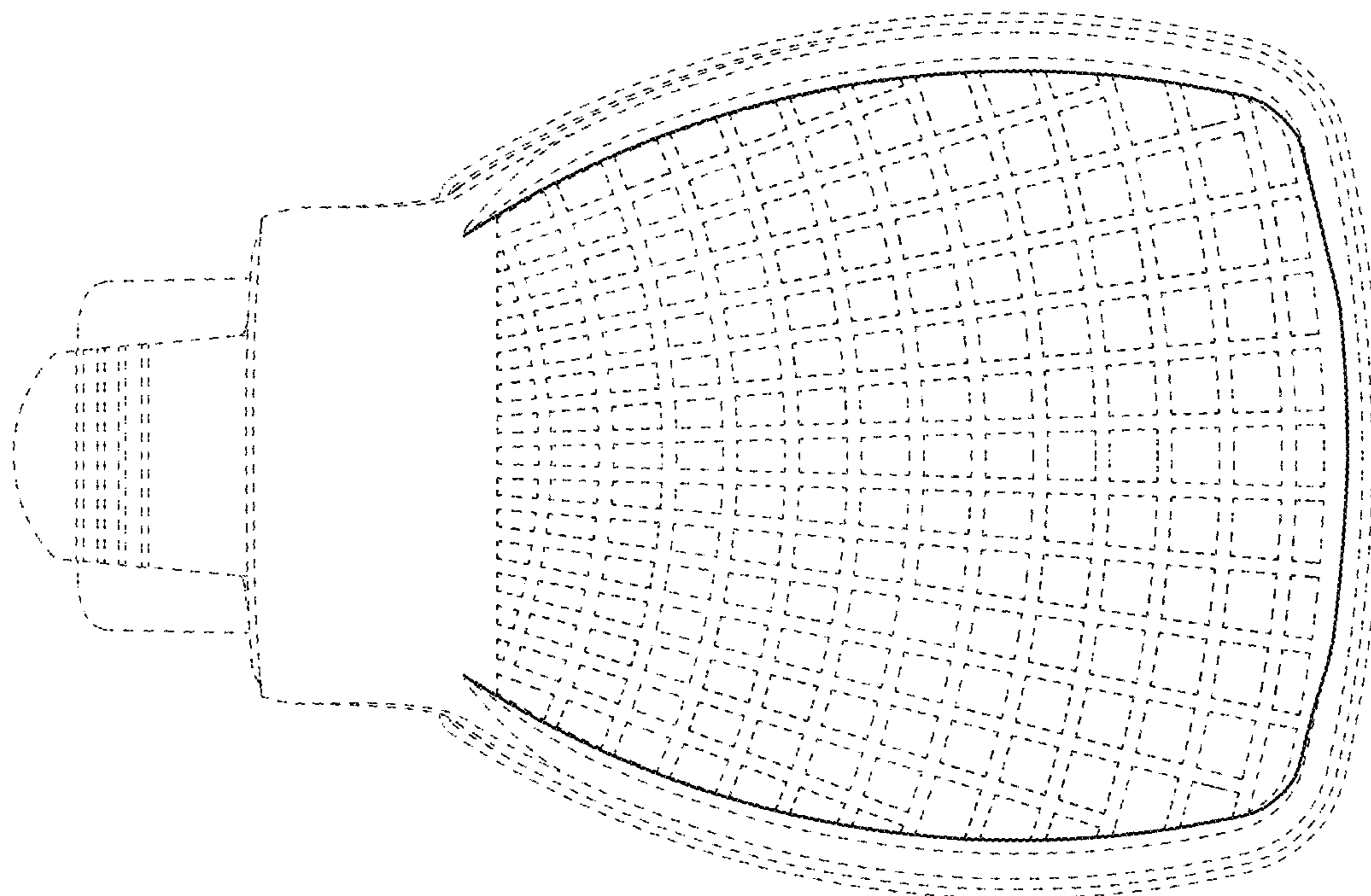


Fig. 8

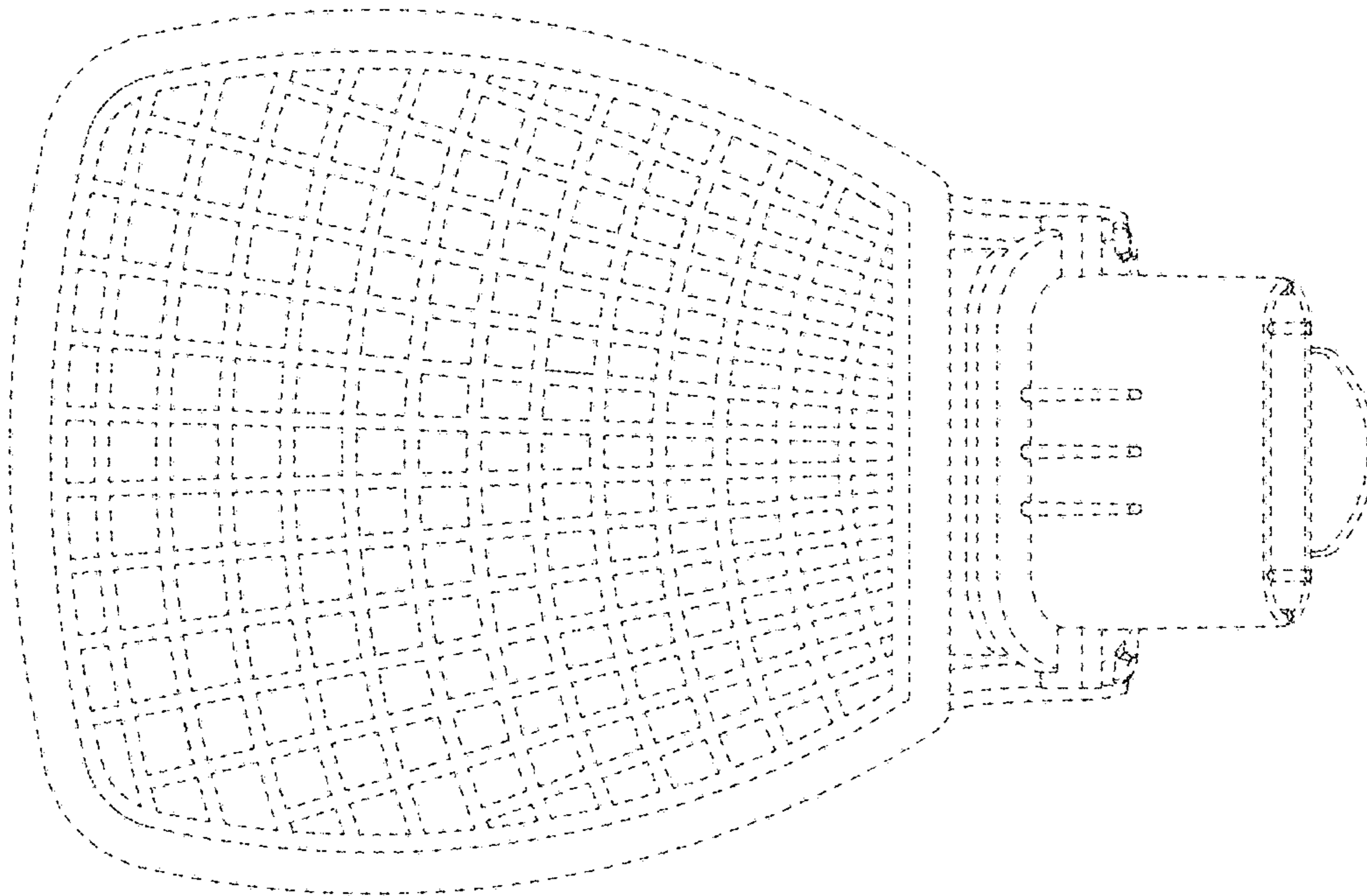


Fig. 9

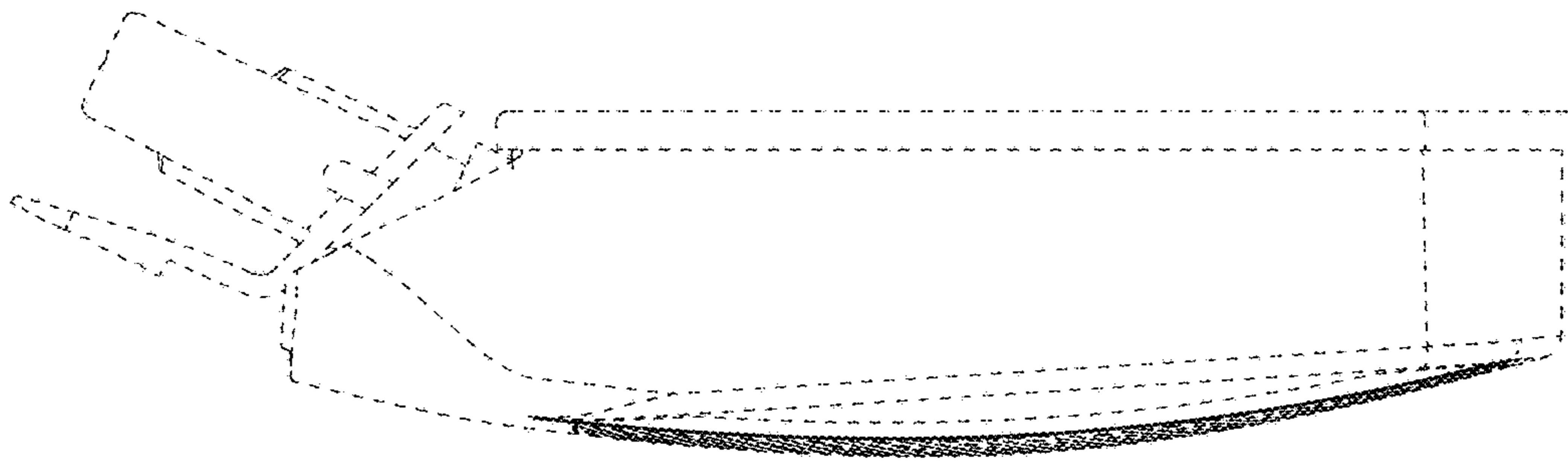


Fig. 10

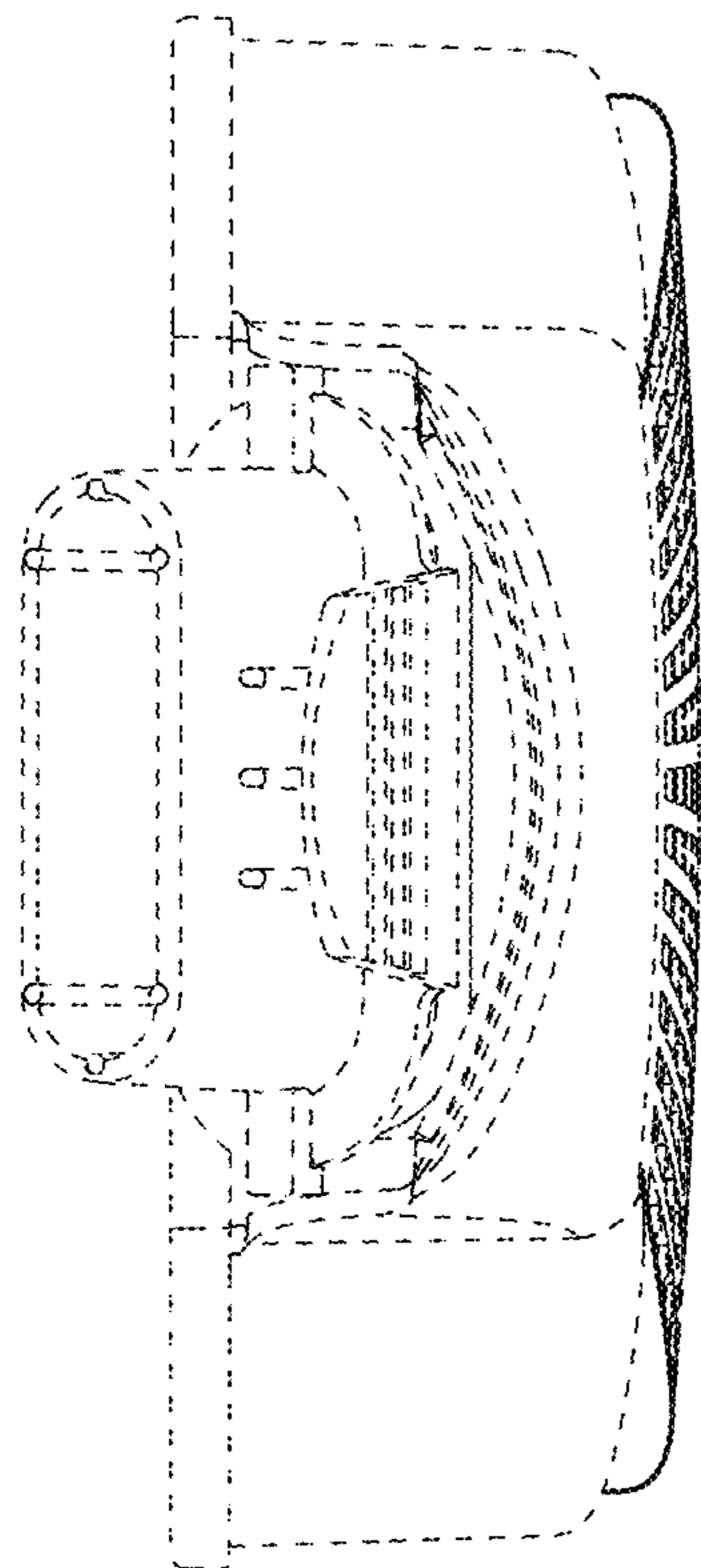


Fig. 11

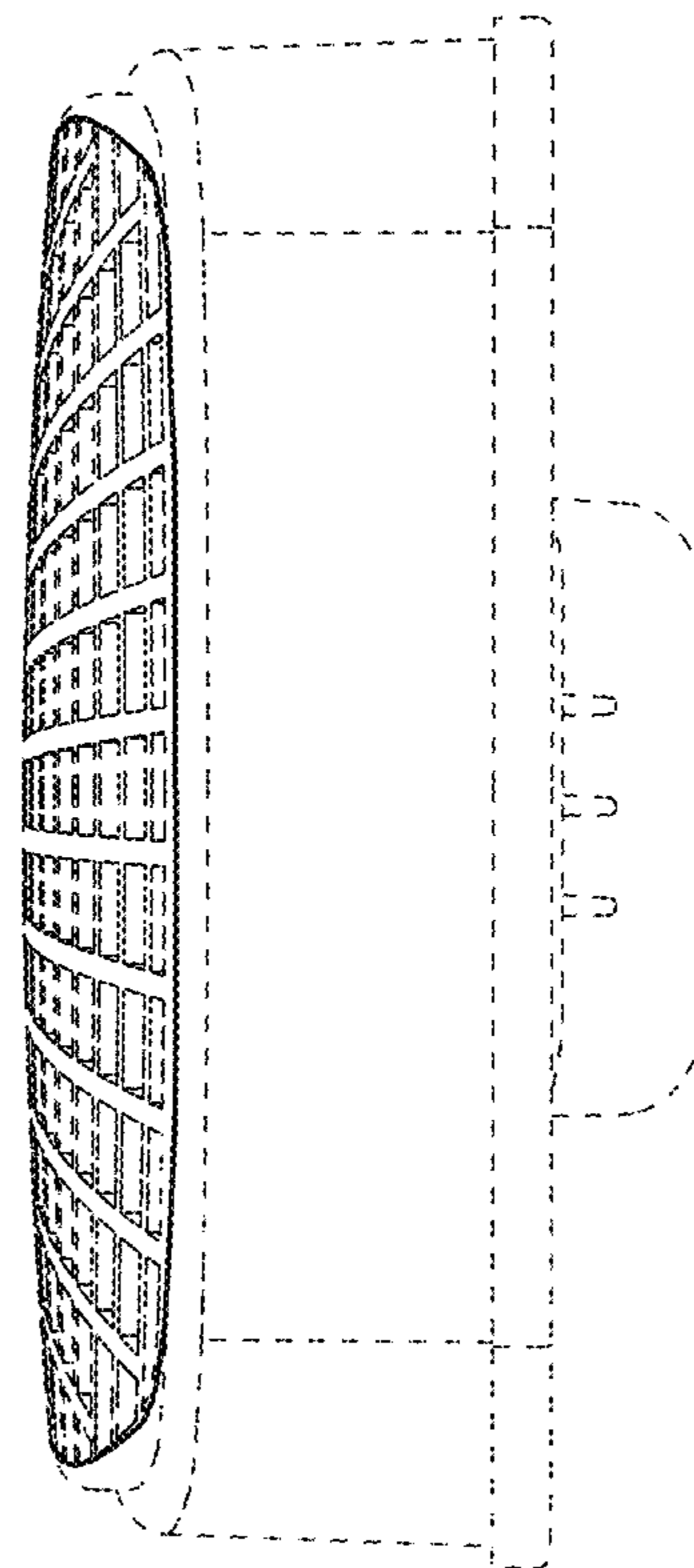


Fig. 12

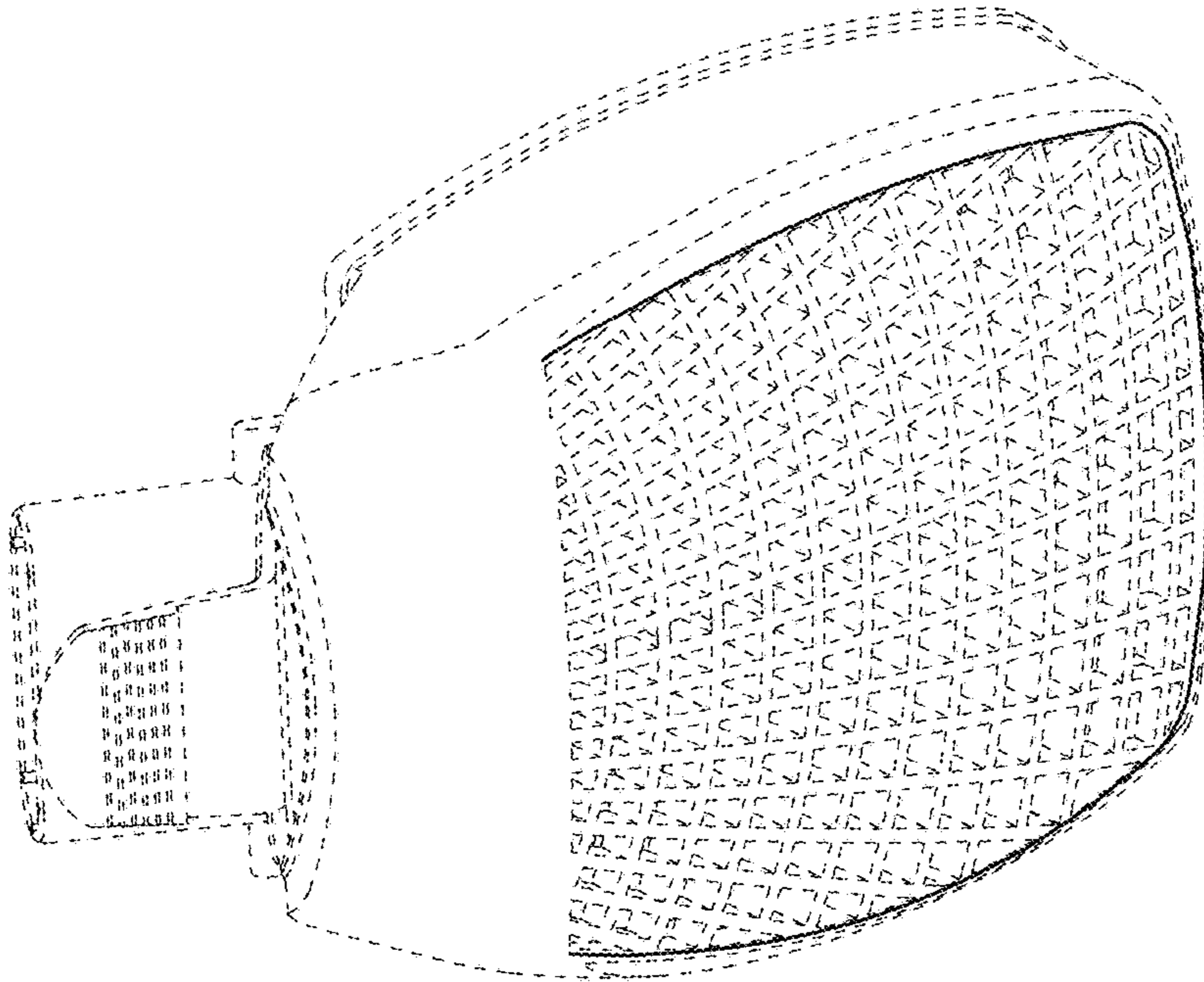


Fig. 13

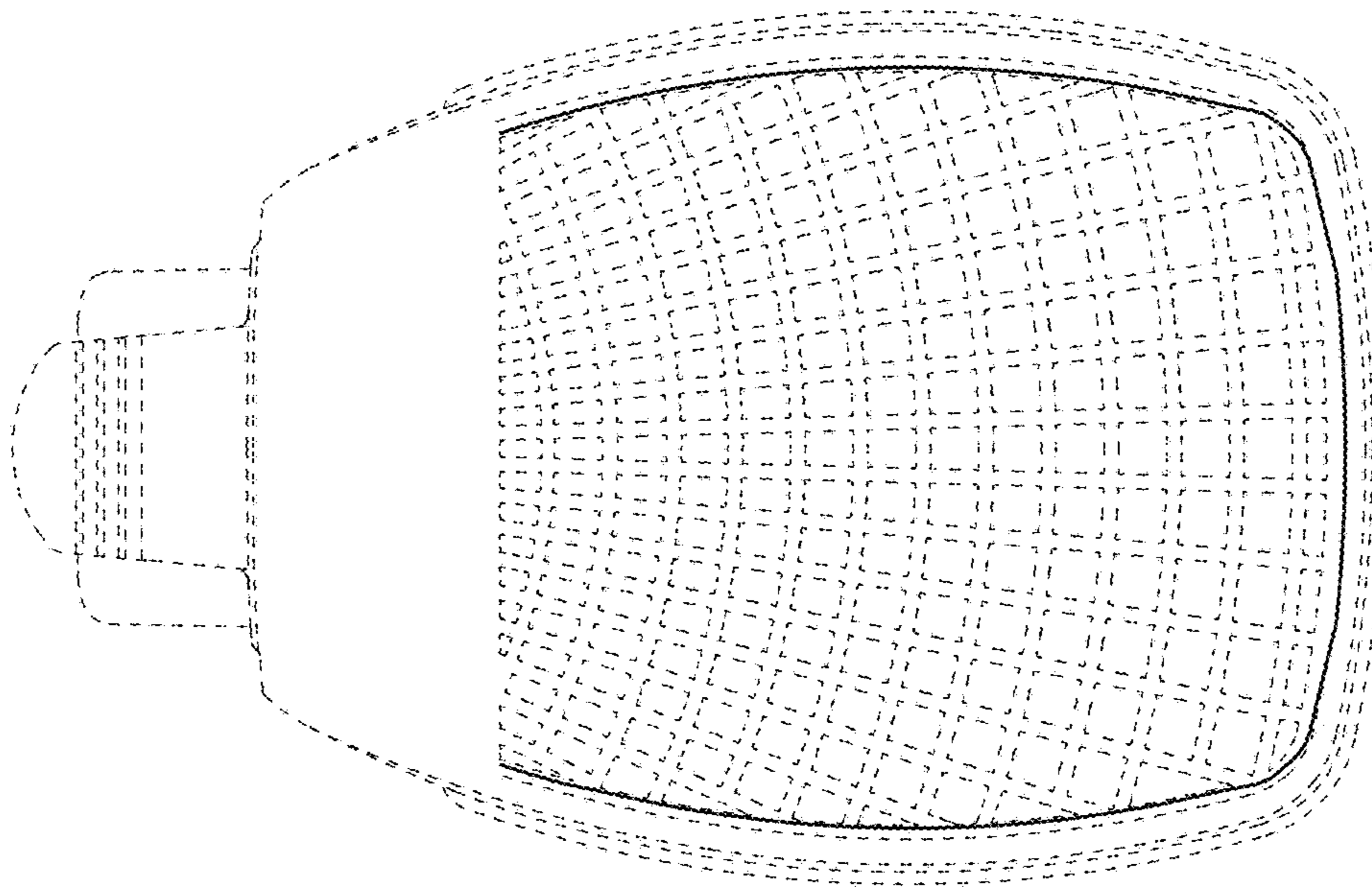


Fig. 14

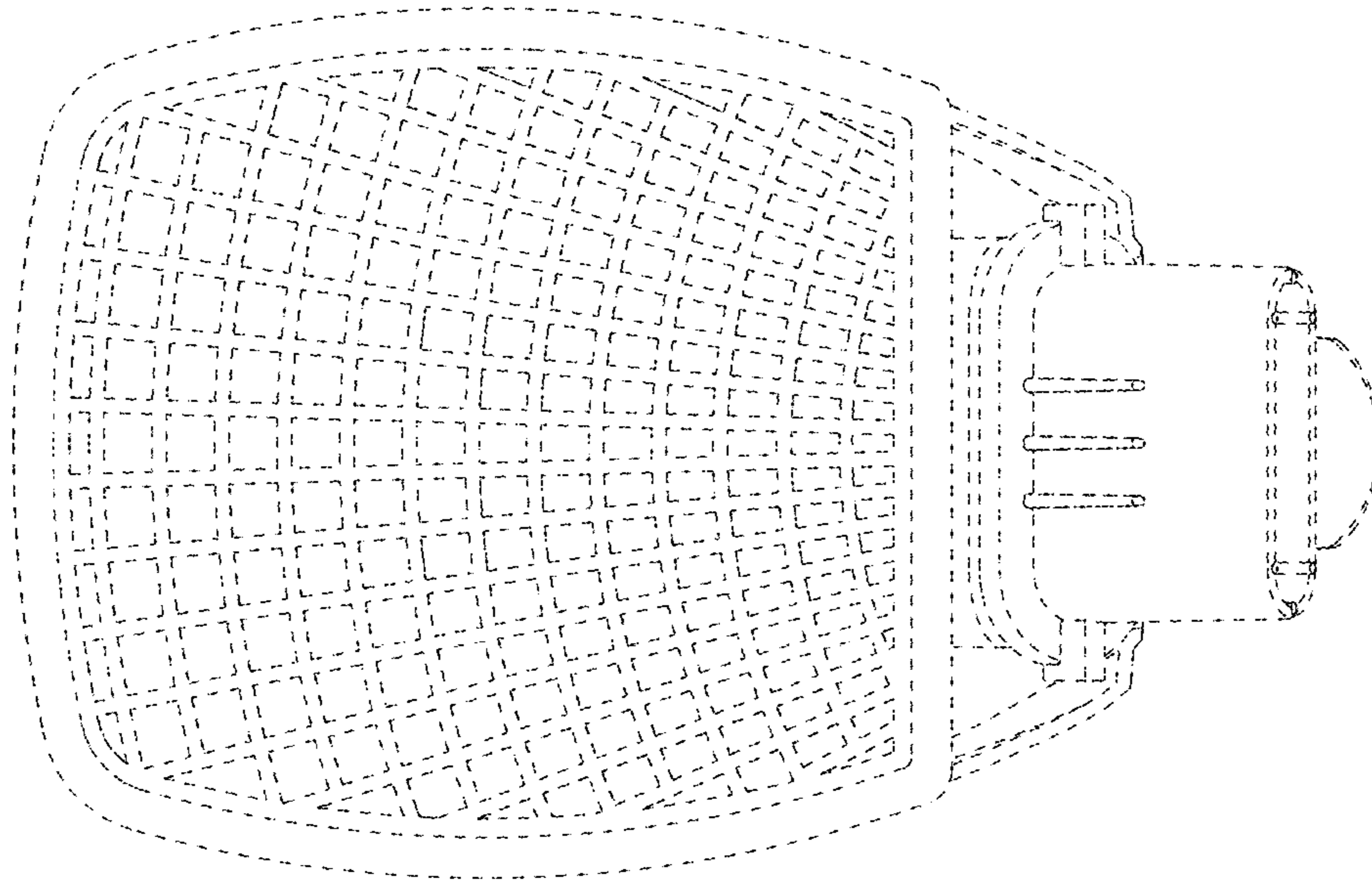


Fig. 15

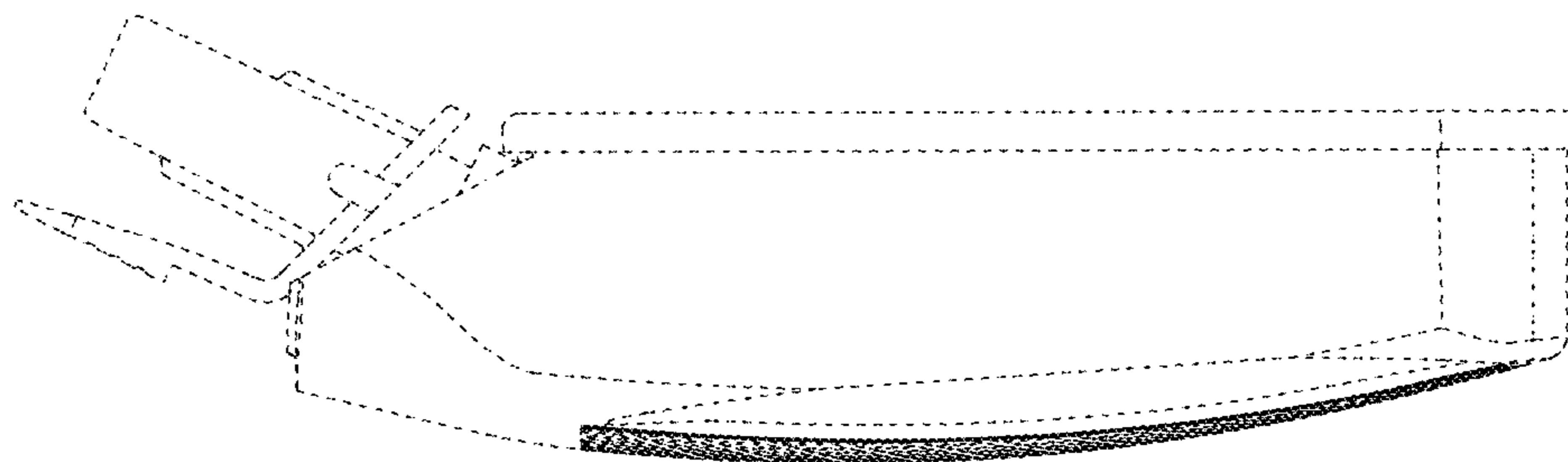


Fig. 16

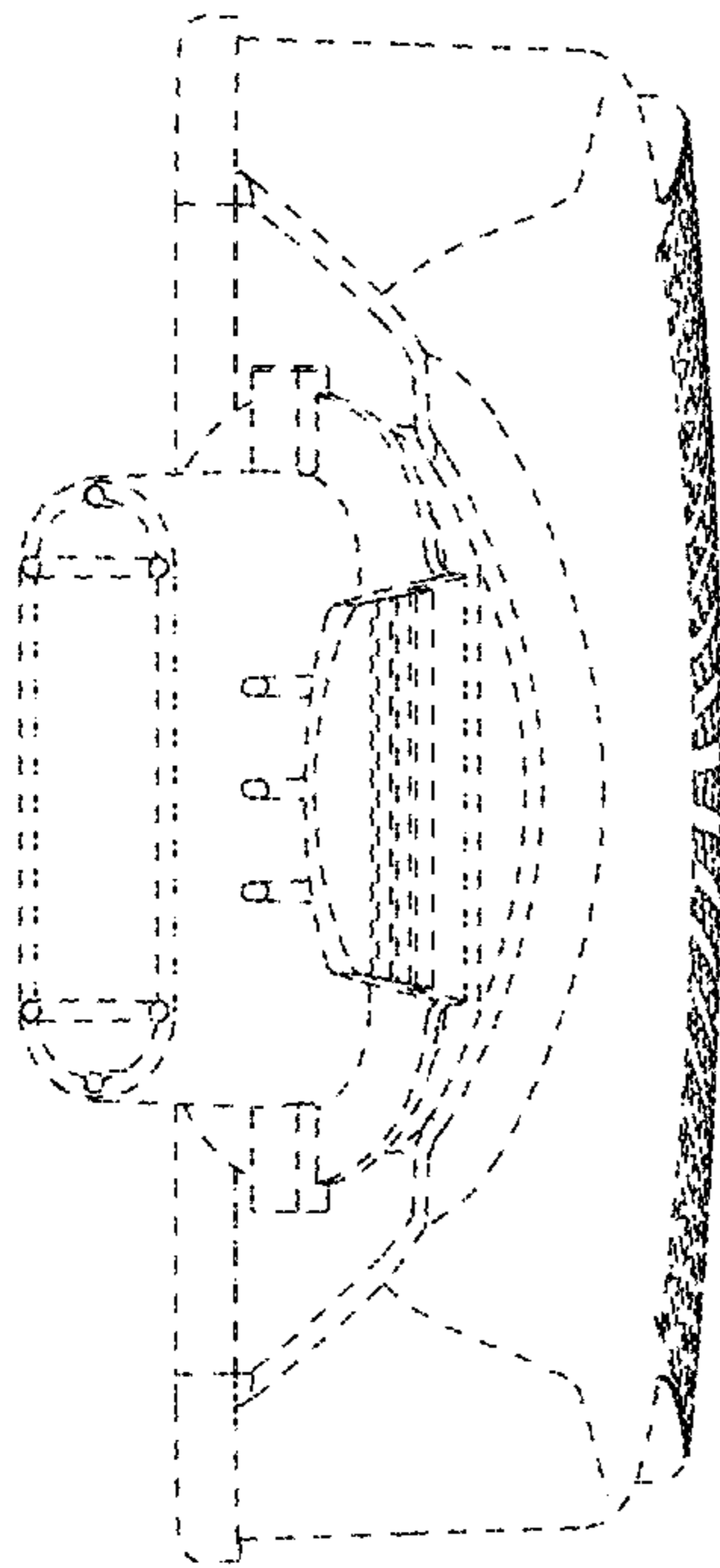


Fig. 17

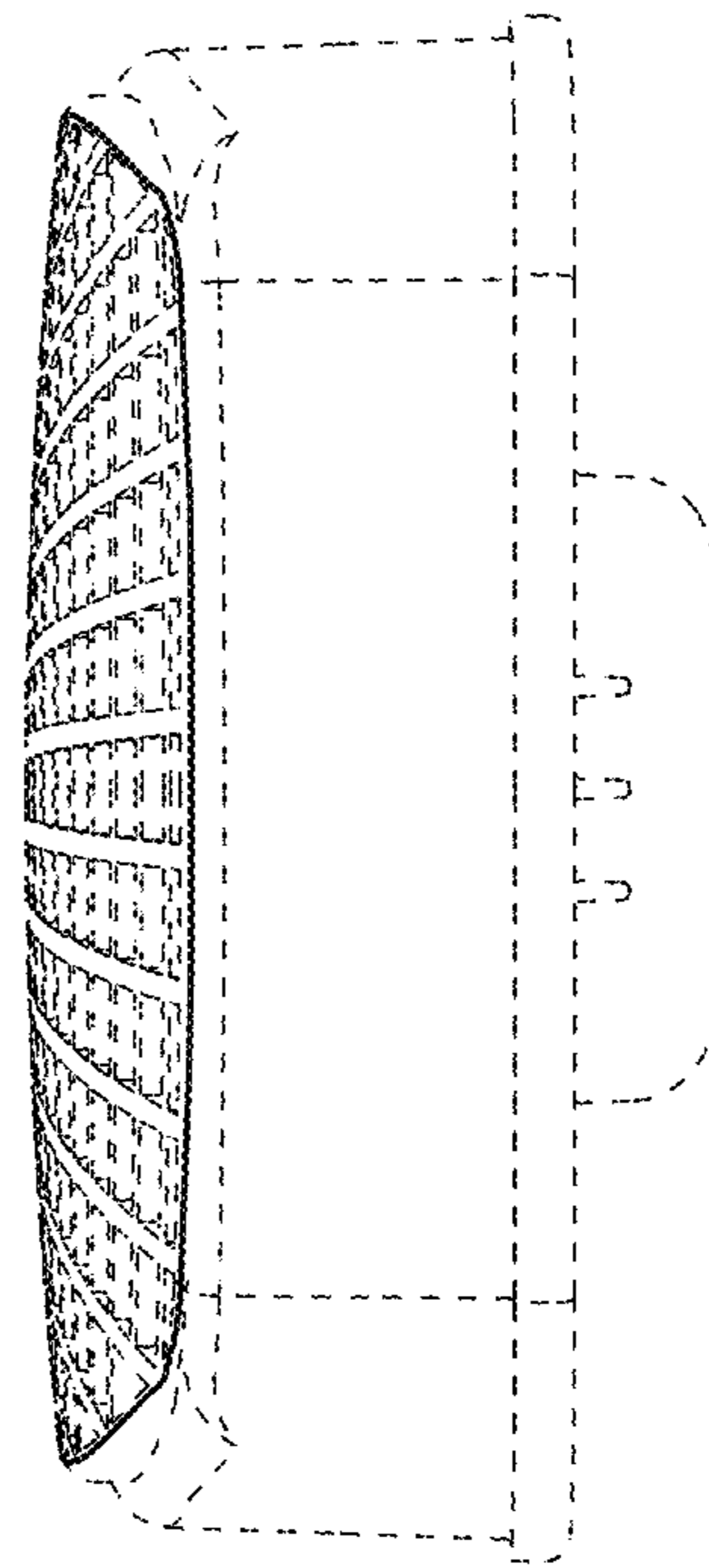


Fig. 18