



US00D778429S

(12) **United States Design Patent** (10) **Patent No.:** **US D778,429 S**  
**Engelbreth et al.** (45) **Date of Patent:** **\*\* Feb. 7, 2017**

(54) **RESPIRATORY TREATMENT DEVICE**  
(71) Applicant: **Trudell Medical International**, London (CA)  
(72) Inventors: **Dan Engelbreth**, London (CA); **Adam Meyer**, London (CA)

3,908,987 A 9/1975 Boehringer  
4,054,134 A 10/1977 Kritzer  
4,062,358 A 12/1977 Kritzer  
4,182,366 A 1/1980 Boehringer  
4,198,969 A 4/1980 Virag  
4,221,381 A 9/1980 Ericson  
4,226,233 A 10/1980 Kritzer  
(Continued)

(73) Assignee: **TRUDELL MEDICAL INTERNATIONAL**, London, Ontario (CA)

**FOREIGN PATENT DOCUMENTS**

EP 0 372 148 A1 6/1990  
EP 0 678 306 A2 10/1995  
(Continued)

(\*\*) Term: **15 Years**

(21) Appl. No.: **29/538,323**

**OTHER PUBLICATIONS**

U.S. Appl. No. 29/438,878, filed Dec. 4, 2012, Meyer.  
(Continued)

(22) Filed: **Sep. 2, 2015**

(51) **LOC (10) Cl.** ..... **29-02**

(52) **U.S. Cl.**  
USPC ..... **D24/110**

(58) **Field of Classification Search**  
USPC ..... D24/110-110.1, 110.4-110.5, 127, 164;  
D29/108  
CPC ..... A61M 15/00; A61M 15/0065; A61M 15/0091; A61M 15/0021; A61M 15/0026; A61M 11/00; A61M 11/02; A61M 11/04; A61M 11/005; A61M 15/0085; A61M 16/00

*Primary Examiner* — Barbara Fox  
*Assistant Examiner* — Lilyana Bekic  
(74) *Attorney, Agent, or Firm* — Brinks Gilson & Lione

See application file for complete search history.

(57) **CLAIM**

The ornamental design for a respiratory treatment device, as shown and described.

(56) **References Cited**

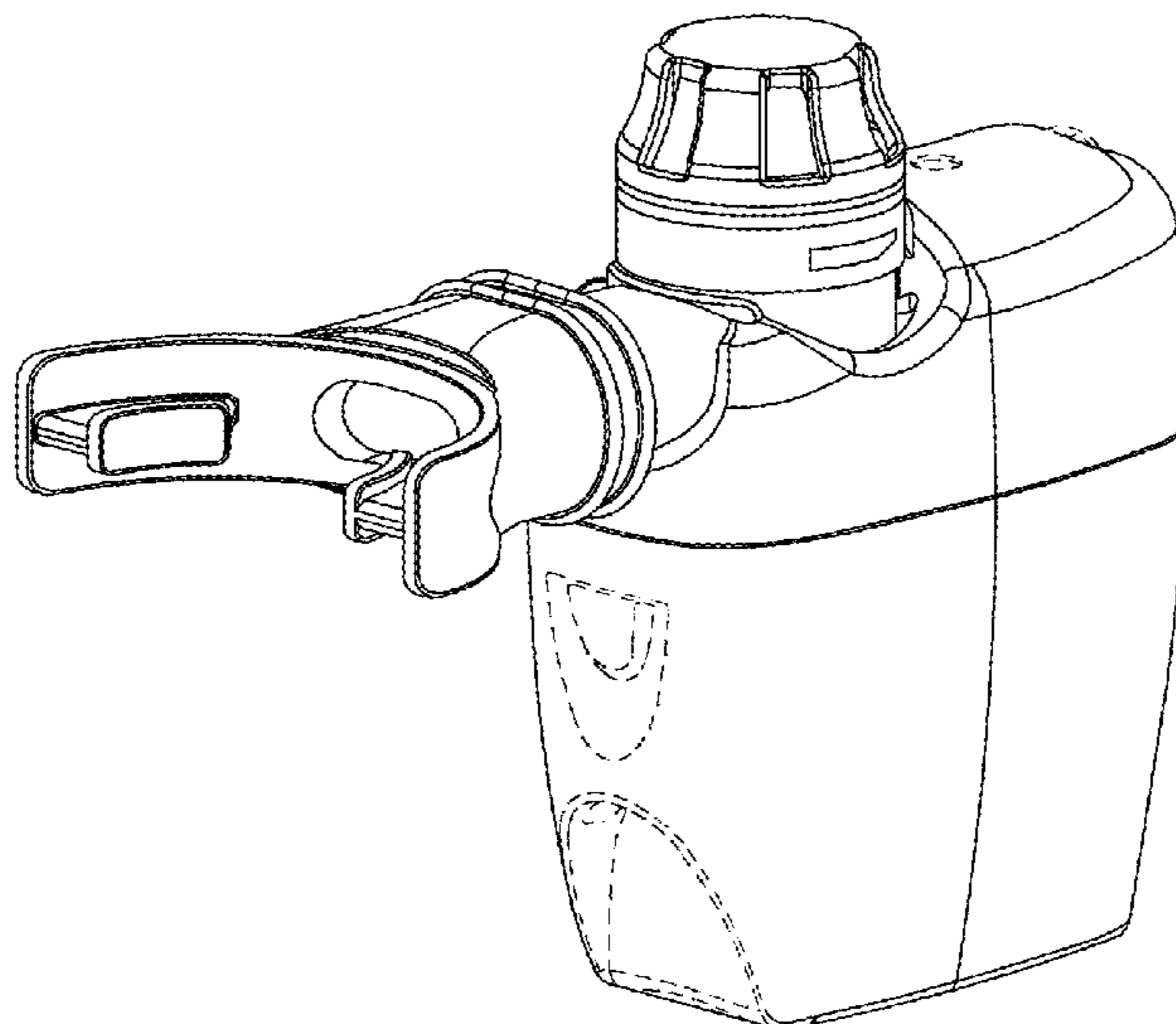
**U.S. PATENT DOCUMENTS**

393,869 A 12/1888 Warren  
938,808 A 11/1909 Yount  
2,670,739 A 3/1954 NcNeill  
2,918,917 A 12/1959 Emerson  
3,207,154 A \* 9/1965 Rubilotta ..... B63G 8/40  
128/206.29  
3,224,444 A \* 12/1965 Dempster ..... A62B 9/025  
128/204.26  
3,710,780 A 1/1973 Milch

**DESCRIPTION**

FIG. 1 is a perspective view of a respiratory treatment device showing the new design;  
FIG. 2 is a top view thereof;  
FIG. 3 is a bottom view thereof;  
FIG. 4 is a left-side view thereof;  
FIG. 5 is a right-side view thereof;  
FIG. 6 is a front view thereof; and,  
FIG. 7 is a rear view thereof.  
The broken lines in the drawings illustrate portions of the respiratory treatment device that form no part of the claimed design.

**1 Claim, 4 Drawing Sheets**



(56)

References Cited

U.S. PATENT DOCUMENTS

4,231,375 A 11/1980 Boehringer et al.  
 4,267,832 A 5/1981 Hakkinen  
 4,275,722 A 6/1981 Sorensen  
 4,298,023 A 11/1981 McGinnis  
 4,327,740 A 5/1982 Shuman  
 4,403,616 A 9/1983 King  
 D272,094 S \* 1/1984 Wolf ..... D24/110  
 4,436,090 A 3/1984 Darling  
 4,470,412 A 9/1984 Nowacki et al.  
 4,601,465 A 7/1986 Roy  
 4,611,591 A 9/1986 Inui et al.  
 4,635,631 A 1/1987 Izumi  
 4,651,731 A 3/1987 Vicenzi et al.  
 4,739,987 A 4/1988 Nicholson  
 4,770,413 A 9/1988 Green  
 D303,440 S \* 9/1989 Campbell ..... D24/110.5  
 4,973,047 A 11/1990 Norell  
 4,981,295 A 1/1991 Belman et al.  
 5,018,517 A 5/1991 Liardet  
 5,042,467 A 8/1991 Foley  
 5,065,746 A 11/1991 Steen  
 D325,634 S \* 4/1992 Sweeney, Jr. .... D24/164  
 5,193,529 A 3/1993 Labaere  
 D338,268 S \* 8/1993 Kobayashi ..... D24/110  
 D339,192 S \* 9/1993 Nicholson ..... D24/110  
 5,305,741 A \* 4/1994 Moles ..... B63C 11/186  
 128/201.11  
 5,345,930 A 9/1994 Cardinal et al.  
 5,381,789 A 1/1995 Marquardt  
 5,451,190 A 9/1995 Liardet  
 5,479,920 A 1/1996 Piper et al.  
 5,540,220 A 7/1996 Gropper et al.  
 5,569,122 A 10/1996 Cegla  
 5,570,682 A 11/1996 Johnson  
 5,598,839 A 2/1997 Niles  
 5,613,489 A 3/1997 Miller  
 5,645,049 A 7/1997 Foley et al.  
 5,647,345 A 7/1997 Saul  
 5,655,520 A 8/1997 Howe  
 5,658,221 A 8/1997 Hougen  
 D395,083 S \* 6/1998 Forman ..... D24/110.5  
 5,791,339 A 8/1998 Winter  
 5,829,429 A 11/1998 Hughes  
 5,848,588 A 12/1998 Foley et al.  
 5,862,802 A 1/1999 Bird  
 5,890,998 A 4/1999 Hougen  
 5,893,361 A 4/1999 Hughes  
 5,899,832 A 5/1999 Hougen  
 5,910,071 A 6/1999 Hougen  
 5,925,831 A 7/1999 Storsved  
 6,026,807 A 2/2000 Puderbaugh et al.  
 6,044,841 A 4/2000 Verdun et al.  
 6,058,932 A 5/2000 Hughes  
 6,066,101 A 5/2000 Johnson  
 6,083,141 A 7/2000 Hougen  
 6,089,105 A 7/2000 Ricciardelli  
 6,102,038 A 8/2000 DeVries  
 6,167,881 B1 1/2001 Hughes  
 6,176,235 B1 1/2001 Benarrouch et al.  
 D440,651 S 4/2001 Foran  
 D441,071 S \* 4/2001 Attolini ..... D24/110  
 D444,226 S \* 6/2001 Geert-Jensen ..... D24/110  
 6,240,917 B1 6/2001 Andrade  
 6,253,766 B1 7/2001 Niles  
 6,293,279 B1 9/2001 Schmidt et al.  
 6,340,025 B1 1/2002 Van Brunt  
 6,345,617 B1 2/2002 Engelbreth et al.  
 6,412,481 B1 7/2002 Bienvenu et al.  
 6,500,095 B1 12/2002 Hougen  
 6,557,549 B2 5/2003 Schmidt et al.  
 6,581,595 B1 6/2003 Murdock et al.  
 6,581,596 B1 6/2003 Truitt  
 6,581,598 B1 6/2003 Foran et al.  
 6,581,600 B2 6/2003 Bird  
 6,595,203 B1 7/2003 Bird

6,606,989 B1 8/2003 Brand  
 6,615,831 B1 9/2003 Tuitt  
 6,631,721 B1 10/2003 Salter et al.  
 D483,860 S \* 12/2003 Knoch ..... D24/110  
 6,659,100 B2 12/2003 O'Rourke  
 6,702,769 B1 3/2004 Fowler-Hawkins  
 6,708,690 B1 3/2004 Hete et al.  
 6,708,691 B1 3/2004 Hayek  
 6,726,598 B1 4/2004 Jarvis  
 D490,519 S 5/2004 Pelerosi et al.  
 6,776,159 B2 8/2004 Pelerosi et al.  
 6,848,443 B2 2/2005 Schmidt et al.  
 6,851,425 B2 2/2005 Jaffre  
 6,904,906 B2 6/2005 Salter  
 6,923,181 B2 8/2005 Tuck  
 6,929,007 B2 8/2005 Emerson  
 6,984,214 B2 1/2006 Fowler-Hawkins  
 7,059,324 B2 6/2006 Pelerosi et al.  
 7,096,866 B2 8/2006 Be'eri et al.  
 7,134,434 B2 11/2006 Truitt et al.  
 7,165,547 B2 1/2007 Truitt et al.  
 7,188,621 B2 3/2007 DeVries  
 7,191,776 B2 3/2007 Niles  
 7,191,780 B2 3/2007 Faram  
 7,214,170 B2 5/2007 Sumners et al.  
 D583,928 S \* 12/2008 Knoch ..... D24/110  
 D585,977 S \* 2/2009 Brown ..... D24/110  
 7,617,821 B2 11/2009 Hughes  
 7,699,054 B2 4/2010 Pelerosi et al.  
 7,717,847 B2 5/2010 Smith  
 7,771,472 B2 8/2010 Hendricksen  
 7,779,841 B2 8/2010 Dunsmore et al.  
 7,798,148 B2 9/2010 Doshi  
 7,856,979 B2 12/2010 Doshi  
 7,909,033 B2 3/2011 Faram  
 8,006,922 B2 8/2011 Katzer  
 8,025,051 B2 9/2011 Dagsland  
 8,025,054 B2 9/2011 Dunsmore et al.  
 8,043,236 B2 10/2011 Goldshtein et al.  
 8,051,854 B2 11/2011 Faram  
 RE43,174 E 2/2012 Schmidt et al.  
 8,118,024 B2 2/2012 DeVries et al.  
 8,225,785 B2 7/2012 Richards et al.  
 8,327,849 B2 12/2012 Grychowski et al.  
 8,397,712 B2 \* 3/2013 Foley ..... A61M 11/06  
 128/200.14  
 8,460,223 B2 6/2013 Huster et al.  
 8,469,029 B2 6/2013 Brown et al.  
 8,485,179 B1 7/2013 Meyer  
 8,539,951 B1 9/2013 Meyer et al.  
 D697,200 S \* 1/2014 Mahaffy ..... D24/110  
 8,985,111 B2 3/2015 Grychowski et al.  
 D731,050 S \* 6/2015 Meyer ..... D24/110.5  
 D742,503 S \* 11/2015 Mullinger ..... D24/110  
 2007/0259759 A1 11/2007 Sumners et al.  
 2008/0053456 A1 3/2008 Brown et al.  
 2009/0314292 A1 \* 12/2009 Overfield ..... A61B 5/087  
 128/203.15  
 2010/0139655 A1 6/2010 Genosar  
 2010/0307487 A1 12/2010 Dunsmore et al.  
 2011/0290240 A1 12/2011 Meyer et al.  
 2012/0097164 A1 4/2012 Rozario et al.  
 2012/0304988 A1 12/2012 Meyer  
 2013/0133649 A1 5/2013 Grychowski et al.  
 2013/0284171 A1 10/2013 Meyer  
 2013/0312746 A1 11/2013 Grychowski  
 2014/0041657 A1 2/2014 Meyer  
 2014/0150790 A1 6/2014 Meyer  
 2015/0053209 A1 2/2015 Meyer et al.

FOREIGN PATENT DOCUMENTS

EP 1 435 251 B1 12/2003  
 EP 1435251 12/2003  
 EP 1 464 357 A1 10/2004  
 EP 1 103 287 B1 6/2007  
 EP 1 897 576 A1 3/2008  
 EP 1 908 489 A1 4/2008  
 EP 2444114 4/2012



(56)

**References Cited**

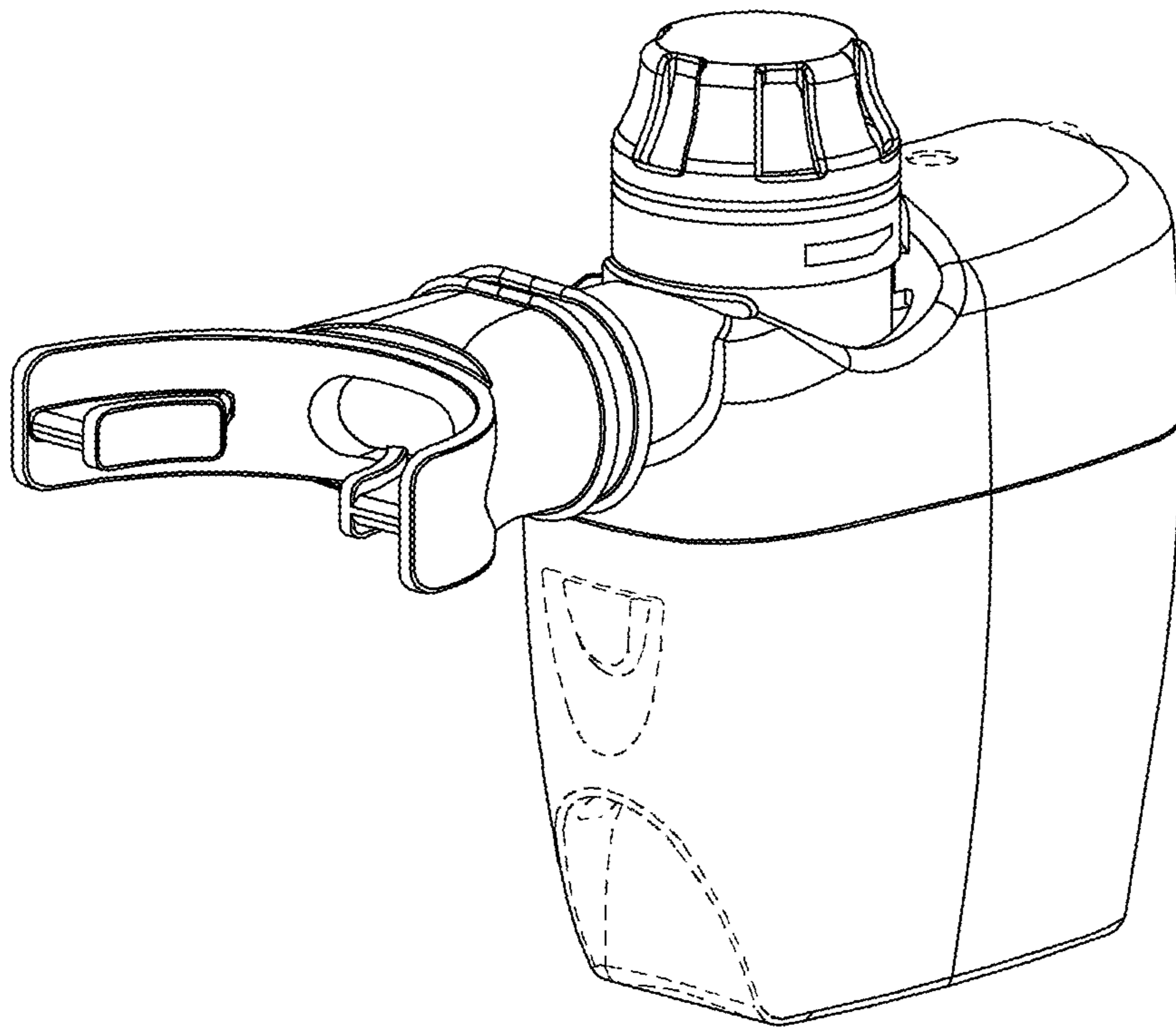
FOREIGN PATENT DOCUMENTS

EP	2455137	5/2012
GB	2 425 488 A	11/2006
WO	WO 89/03707 A1	5/1989
WO	WO 96/40376	12/1996
WO	WO 99/16490	4/1999
WO	WO 00/27455	5/2000
WO	WO 2007/061648 A3	5/2007
WO	WO 2007/119104 A3	10/2007
WO	WO 2008/063966 A1	5/2008
WO	WO 2008/122045 A1	10/2008
WO	WO 2009/131965	10/2009
WO	WO 2011/058470	5/2011
WO	WO 2012/038864 A2	3/2012

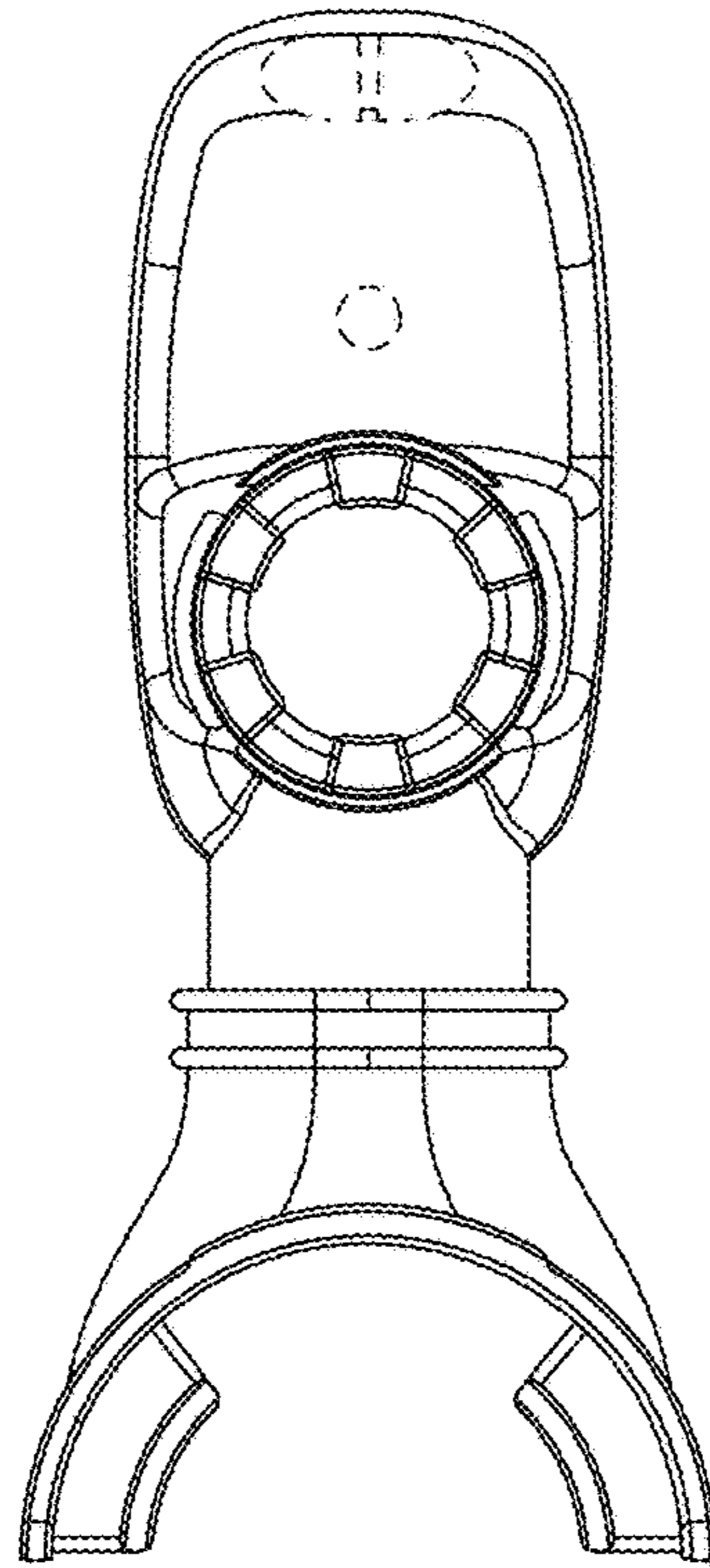
OTHER PUBLICATIONS

U.S. Appl. No. 13/966,759, filed Aug. 14, 2013, Meyer.  
U.S. Appl. No. 14/615,248, filed Feb. 5, 2015, Alizoti et al.  
U.S. Appl. No. 14/620,921, filed Feb. 12, 2015, Grychowski et al.  
U.S. Appl. No. 14/674,494, filed Mar. 31, 2015, Meyer et al.  
U.S. Appl. No. 14/329,011, filed Jul. 11, 2014, Costella et al.

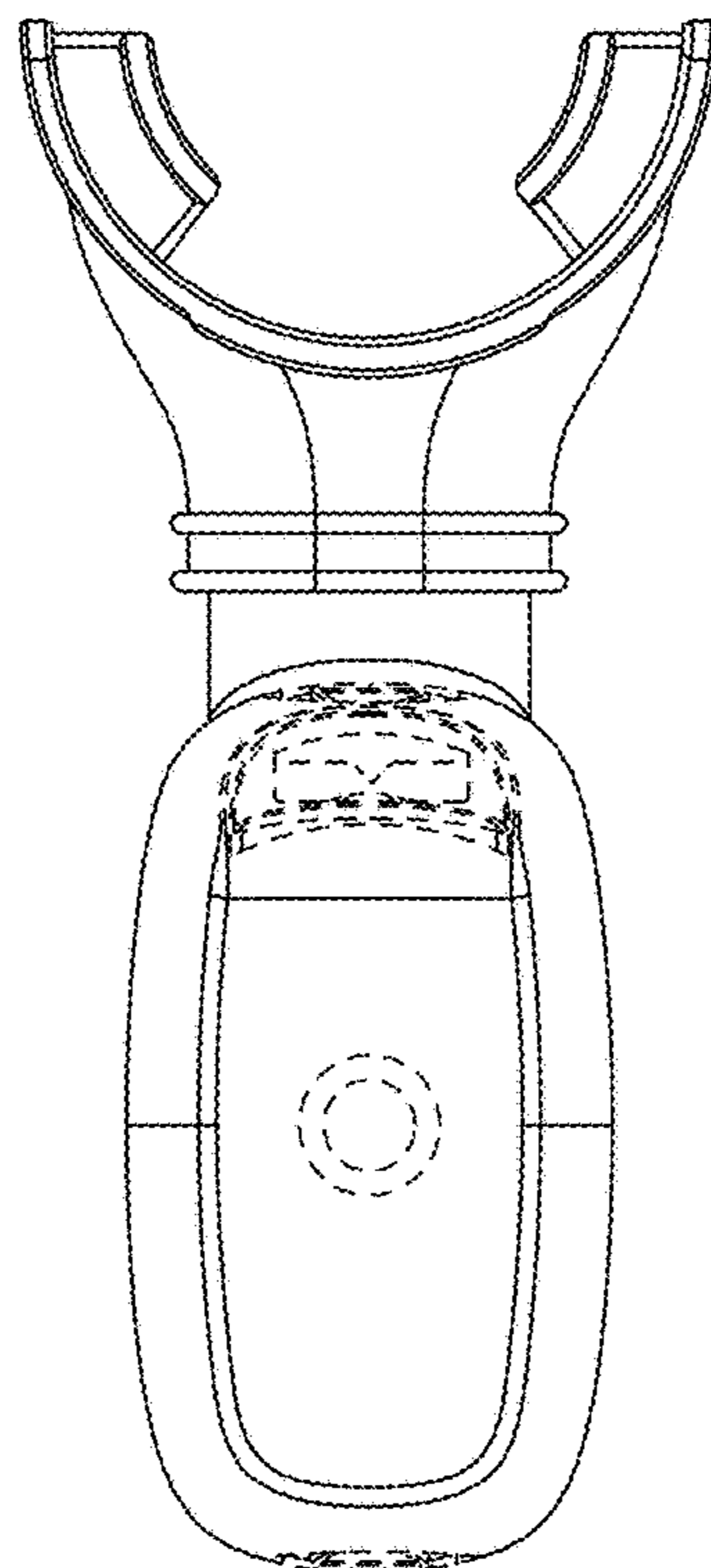
\* cited by examiner



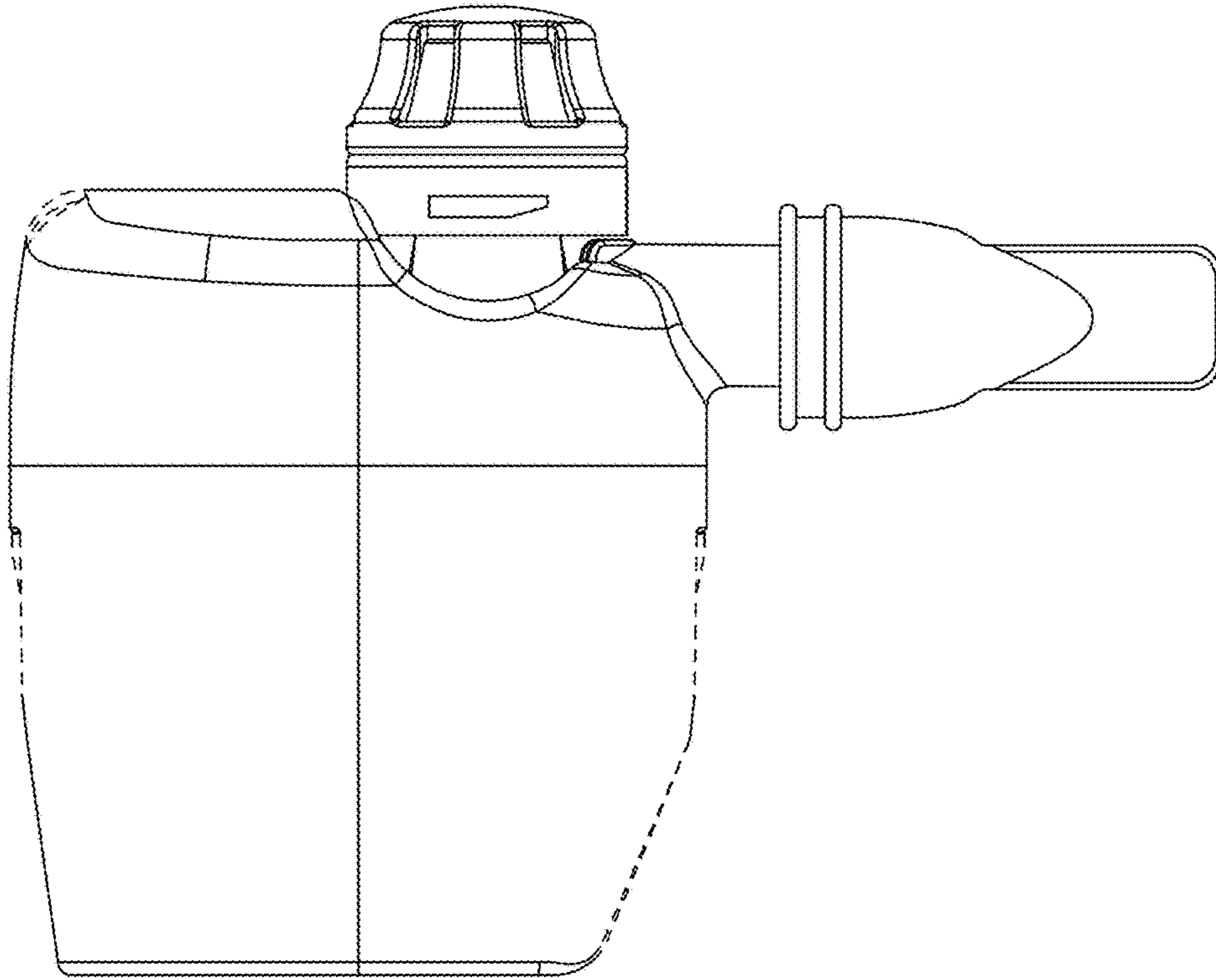
*FIG. 1*



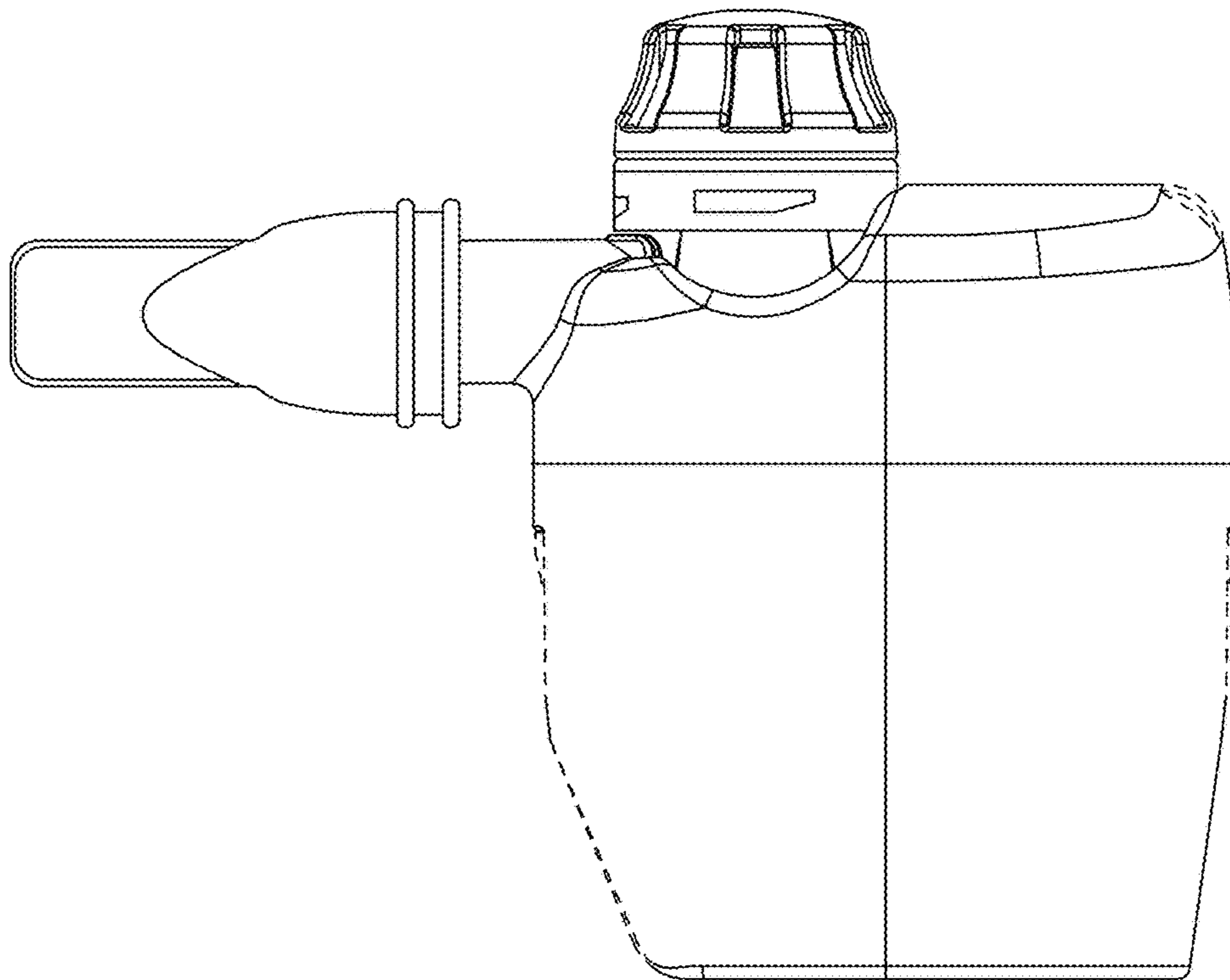
*FIG. 2*



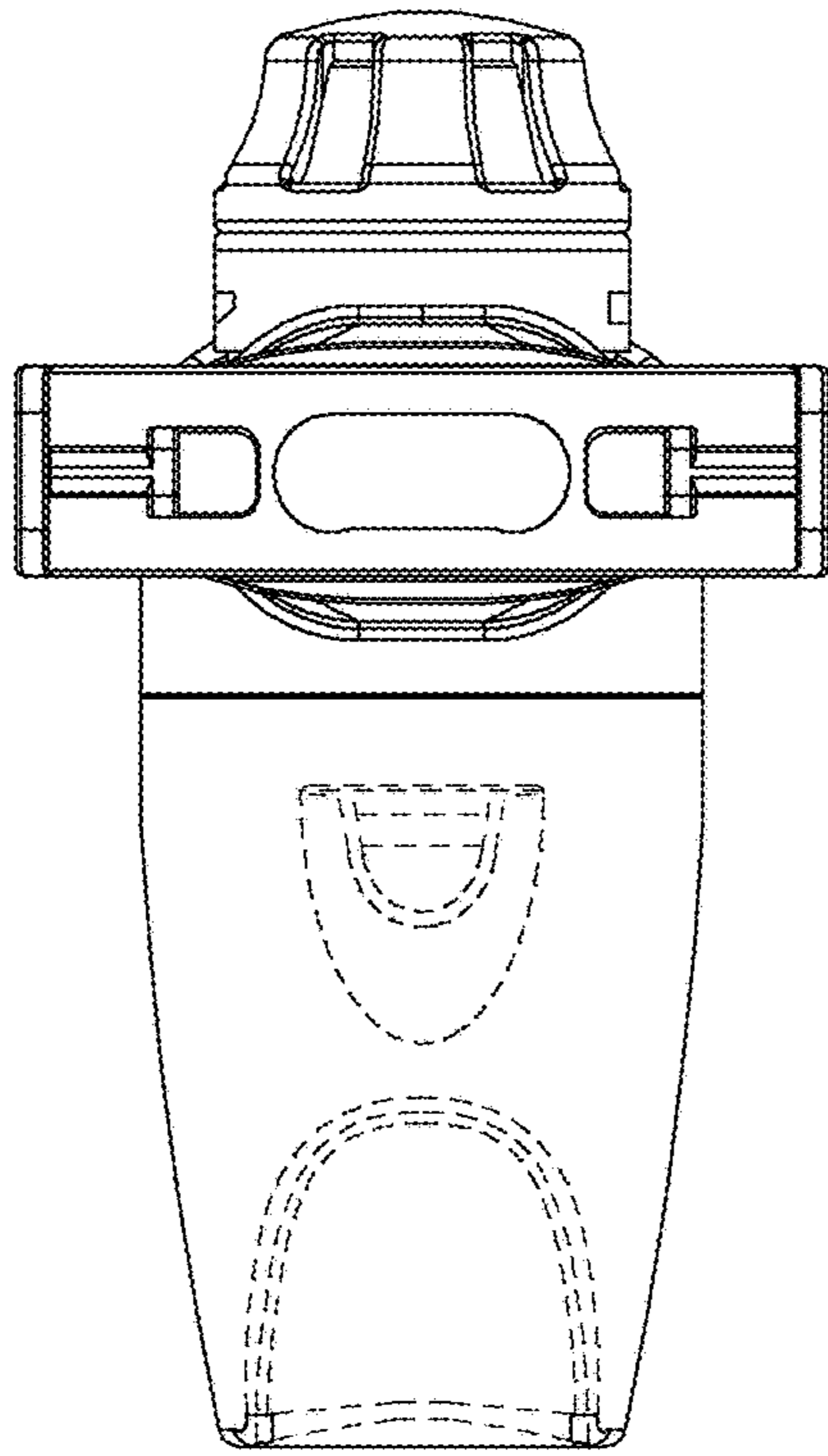
*FIG. 3*



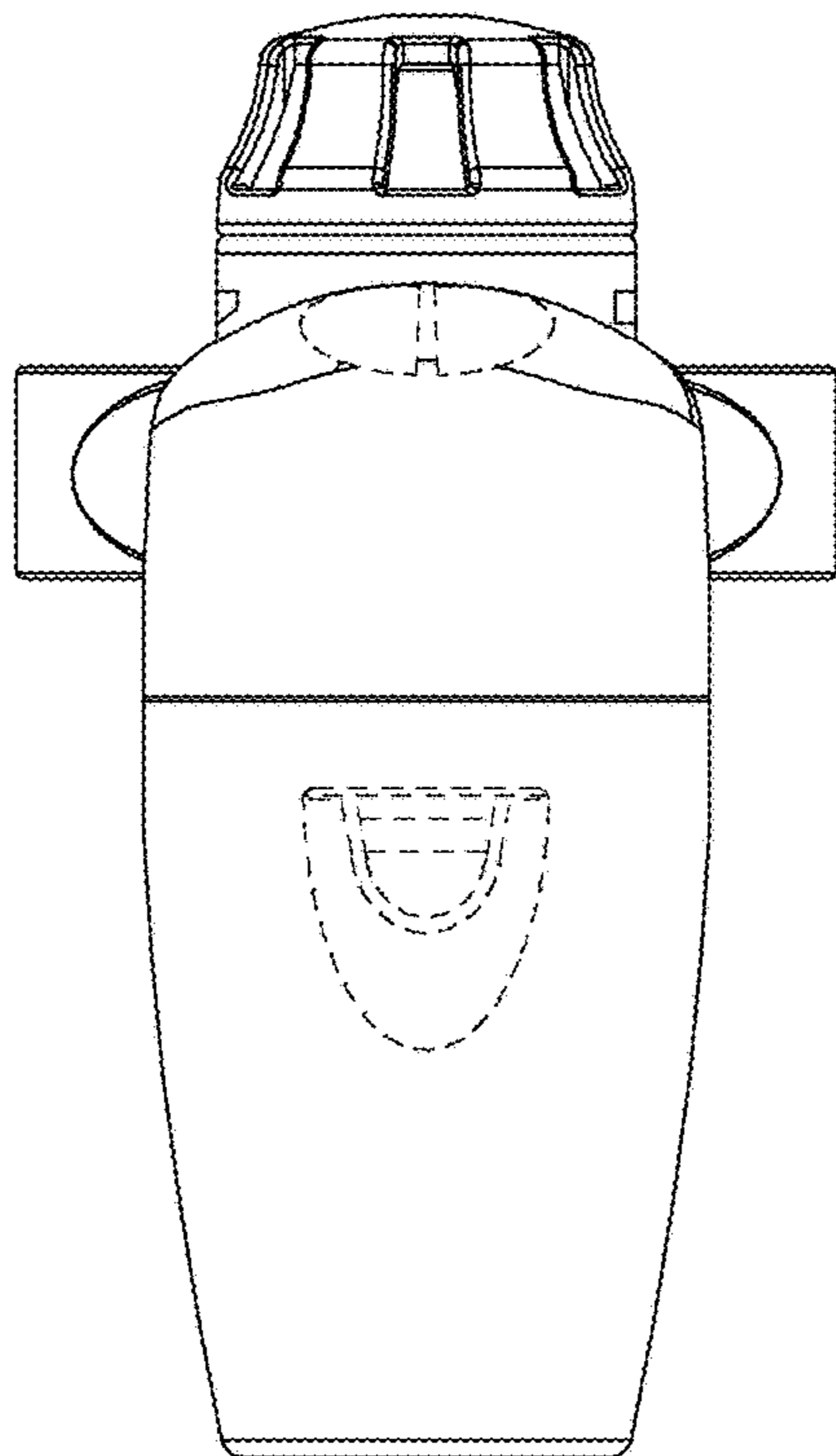
*FIG. 4*



*FIG. 5*



*FIG. 6*



*FIG. 7*