



US00D778428S

(12) **United States Design Patent** (10) **Patent No.:** **US D778,428 S**
Waldman et al. (45) **Date of Patent:** **** Feb. 7, 2017**

(54) **ORAL DOSAGE FORM**
(75) Inventors: **Joel Waldman**, Chalfont, PA (US);
Fernanda Franzoi, São Paulo (BR)
(73) Assignee: **Johnson & Johnson Consumer Inc.**,
Skillman, NJ (US)

D549,724 S * 8/2007 Nijima D14/491
D549,725 S * 8/2007 Nijima D14/491
D564,086 S * 3/2008 Nielsen et al. D24/101
D636,865 S * 4/2011 Vepuri D24/103
D667,430 S * 9/2012 Ouilhet et al. D14/489
D671,636 S * 11/2012 Nishino D24/101
D685,460 S * 7/2013 Illing et al. D24/101

(Continued)

(**) Term: **14 Years**

FOREIGN PATENT DOCUMENTS

(21) Appl. No.: **29/412,544**

WO D 000679089 8/2007

(22) Filed: **Feb. 3, 2012**

Primary Examiner — Charles Hanson

(51) **LOC (10) Cl.** **24-01**

(74) *Attorney, Agent, or Firm* — Victor Tsu

(52) **U.S. Cl.**
USPC **D24/101**

(57) **CLAIM**

(58) **Field of Classification Search**
USPC D24/100–104; D1/100, 127, 130;
D23/207, 208; 604/287, 288, 403;
206/1.5, 206/528, 530–539; 424/10.2,
424/10.3, 408, 438, 439, 451, 472, 473,
424/475, 453–456, 464–469

The ornamental design for an oral dosage form, as shown and described.

DESCRIPTION

See application file for complete search history.

FIG. 1 is a front right bottom perspective view of an oral dosage form showing our claimed design; FIG. 2 is a front plan view of FIG. 1; FIG. 3 is a left side view of FIG. 1, the right side view being a substantial mirror image thereof; FIG. 4 is a top side view of FIG. 1, the bottom side view being a substantial mirror image thereof; FIG. 5 is a front right bottom perspective view of an oral dosage form showing a second embodiment; FIG. 6 is a front plan view of FIG. 5; FIG. 7 is a left side view of FIG. 5, the right side view being a substantial mirror image thereof; FIG. 8 is a top side view of FIG. 5; and, FIG. 9 is a bottom side view of FIG. 5.

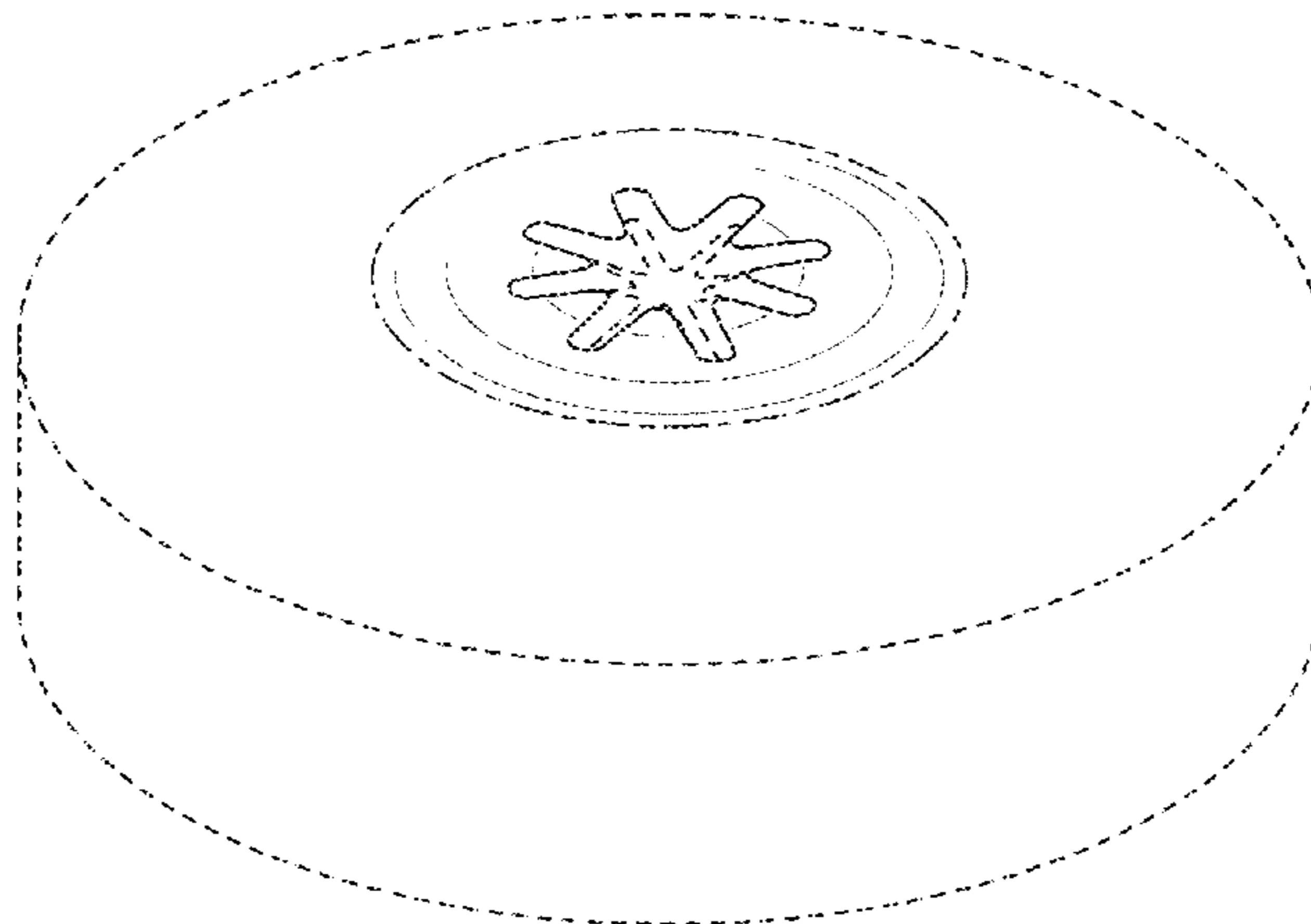
(56) **References Cited**

U.S. PATENT DOCUMENTS

3,281,620 A * 10/1966 Miller 313/113
4,503,031 A * 3/1985 Glassman 424/467
D285,364 S * 8/1986 Tovey D24/101
D304,626 S * 11/1989 Contractor et al. D24/102
D334,420 S * 3/1993 Gladfelter et al. D23/207
D334,421 S * 3/1993 Gladfelter et al. D23/207
D377,977 S * 2/1997 Price et al. D24/101
D380,825 S 7/1997 Kramer et al.
D431,076 S 9/2000 Chen et al.
D434,846 S * 12/2000 Chen et al. D24/102
D459,798 S * 7/2002 Desesquelle et al. D24/101
D506,544 S * 6/2005 Rinker et al. D24/101
D515,202 S * 2/2006 Chen et al. D24/102
D534,646 S * 1/2007 Chang et al. D24/101
D535,016 S * 1/2007 Stawski et al. D24/101
7,169,450 B2 1/2007 Bunick

The evenly spaced broken lines showing is included for the purpose of illustrating environment and the dot-dot-dash lines represent the bounds of the claimed design both of which form no part of the claimed design.

1 Claim, 8 Drawing Sheets



(56)

References Cited

U.S. PATENT DOCUMENTS

2004/0146559 A1 7/2004 Sowden et al.
2007/0048369 A1 3/2007 Foreman et al.
2007/0098931 A1 5/2007 Bunick
2008/0317678 A1 12/2008 Szymczak et al.
2009/0148520 A1 6/2009 Arima et al.

* cited by examiner

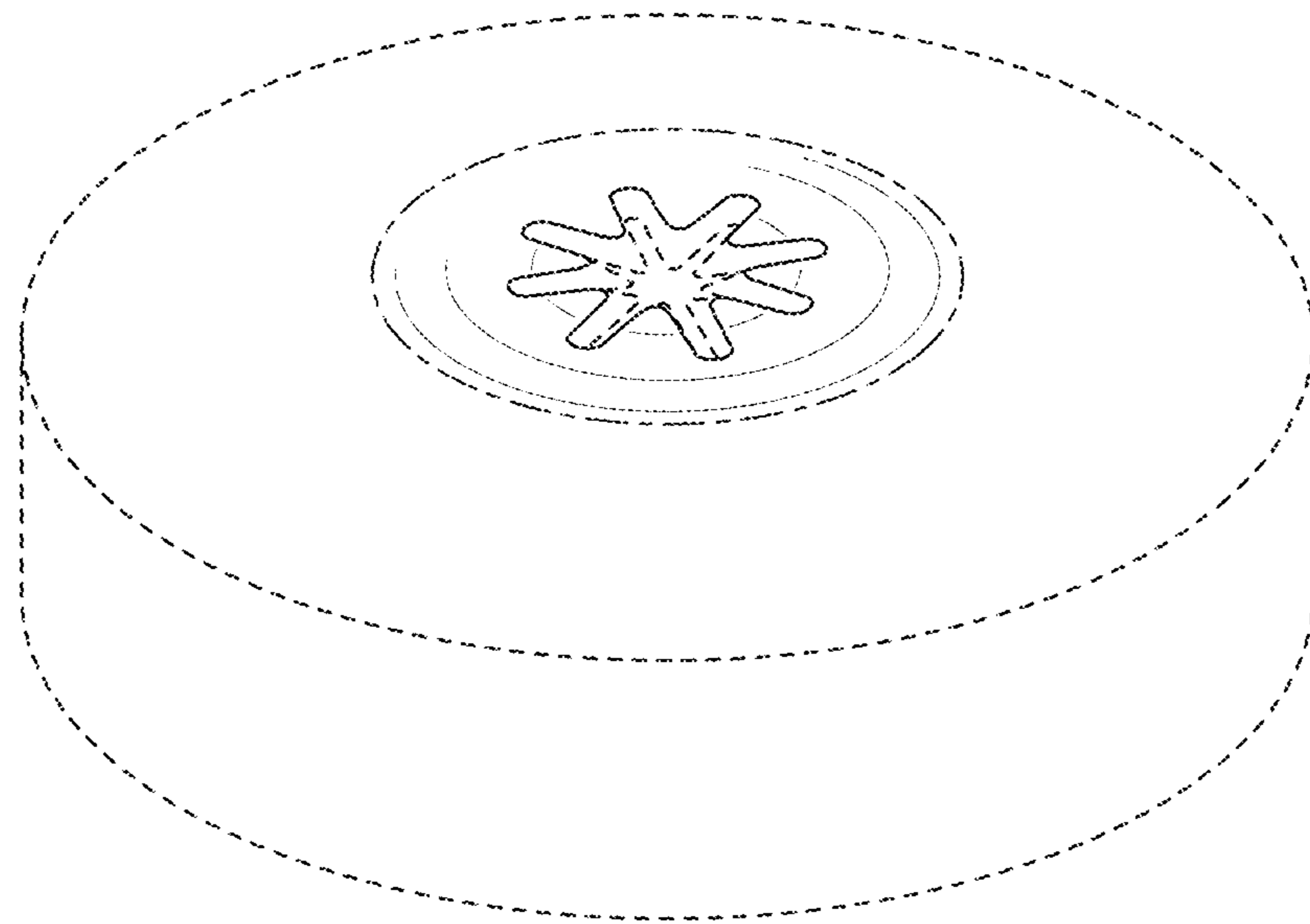


FIG. 1

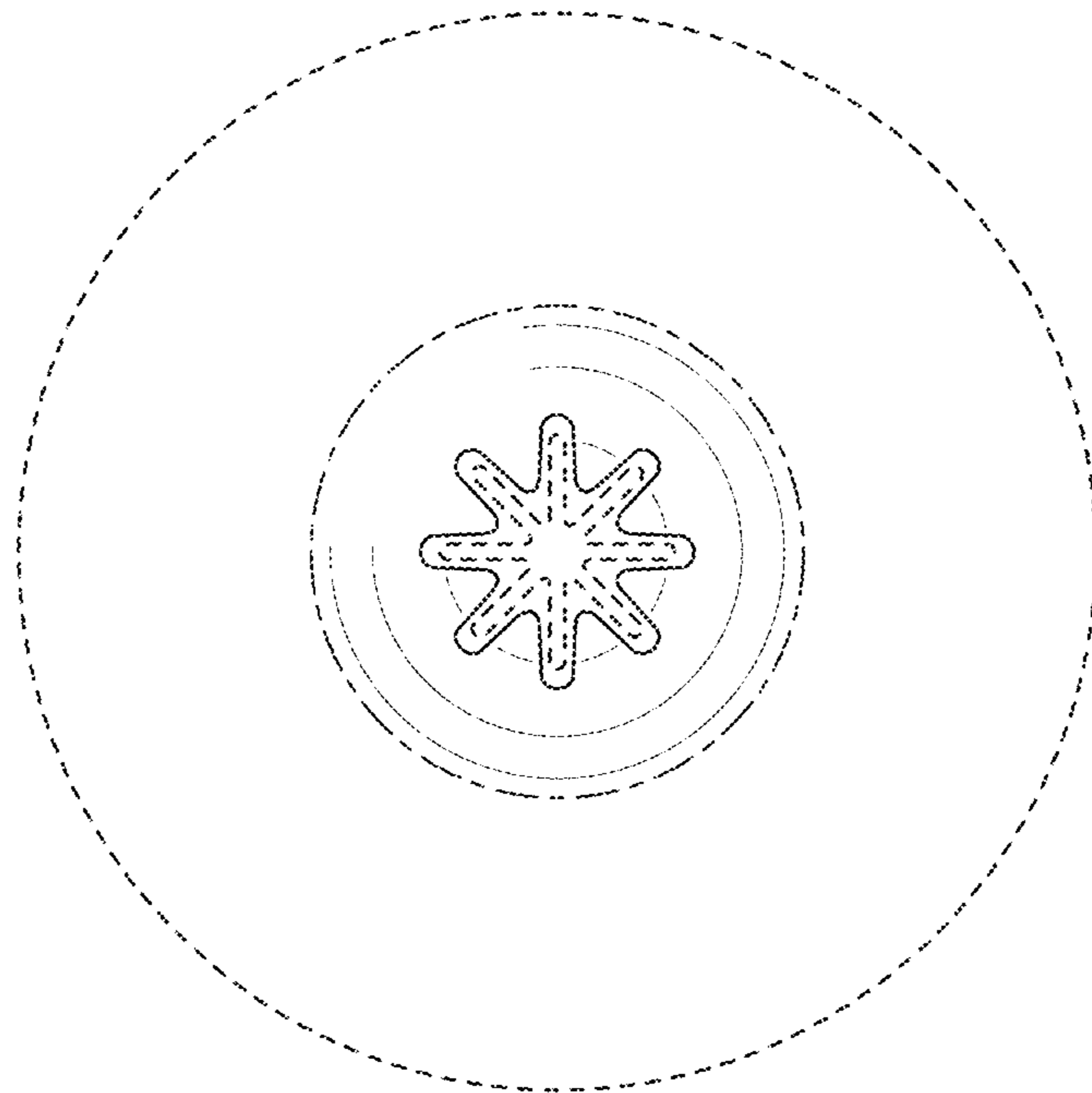


FIG. 2

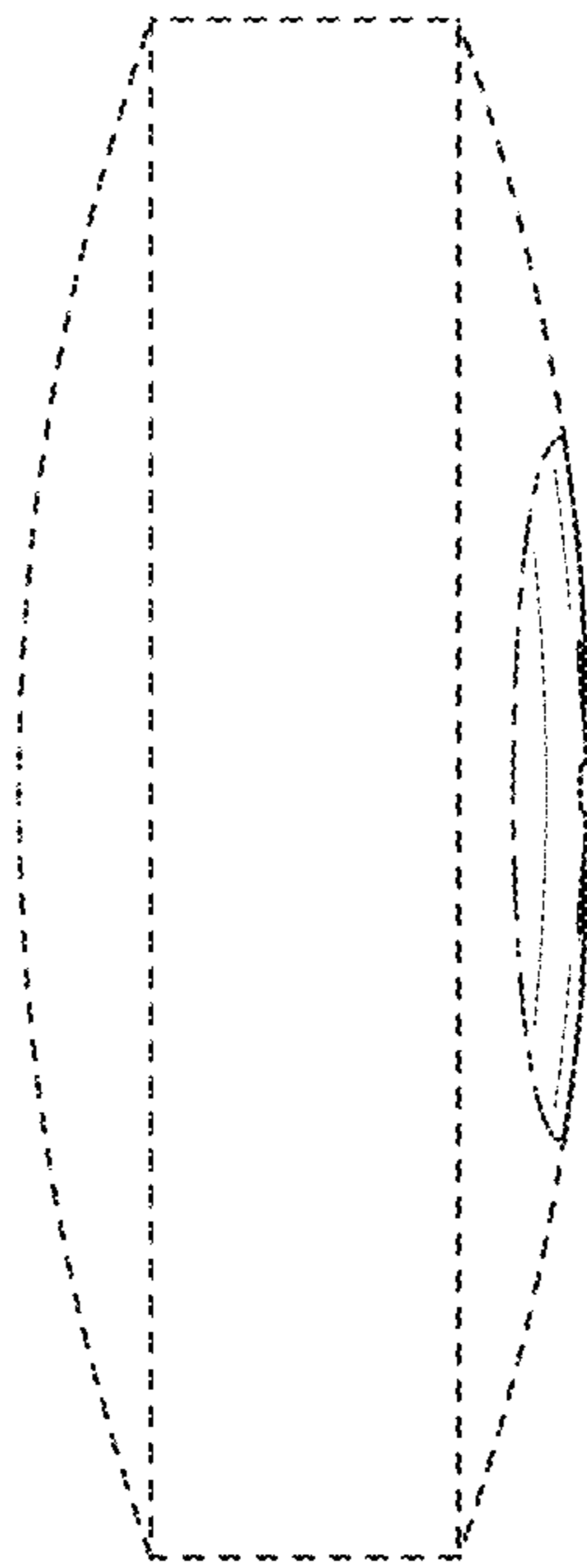


FIG. 3

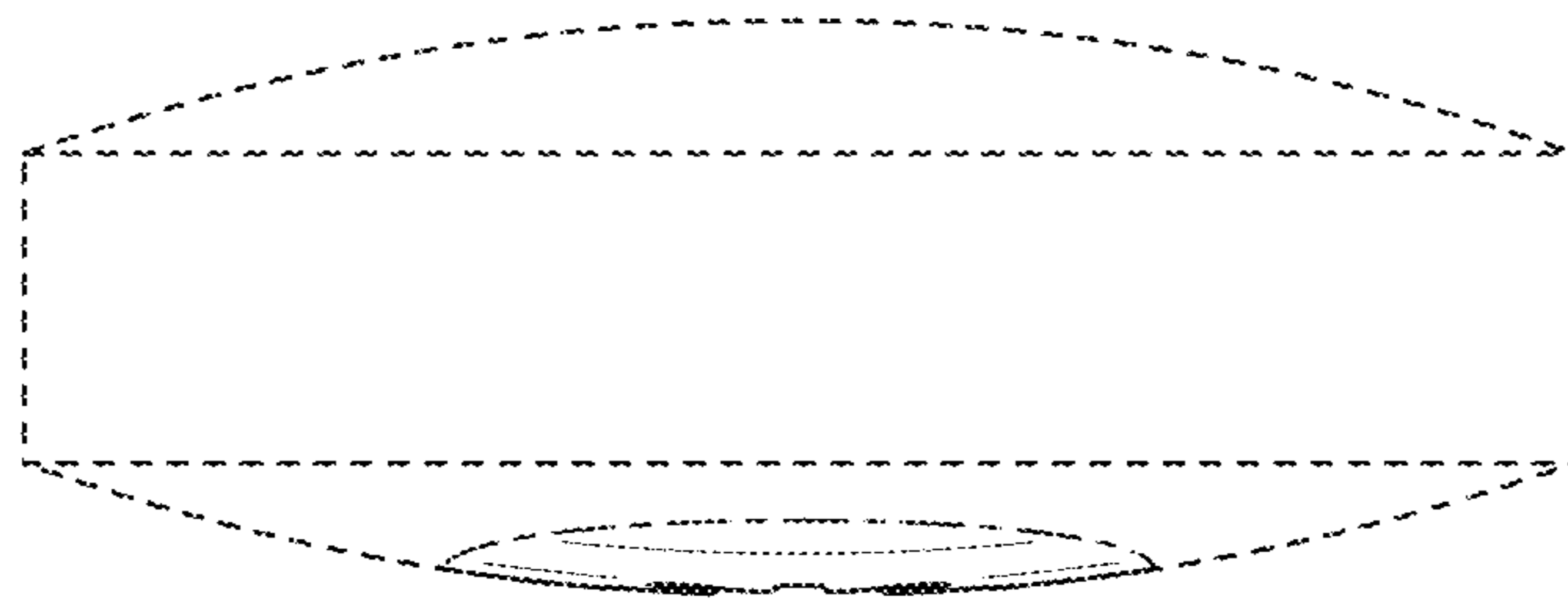


FIG. 4

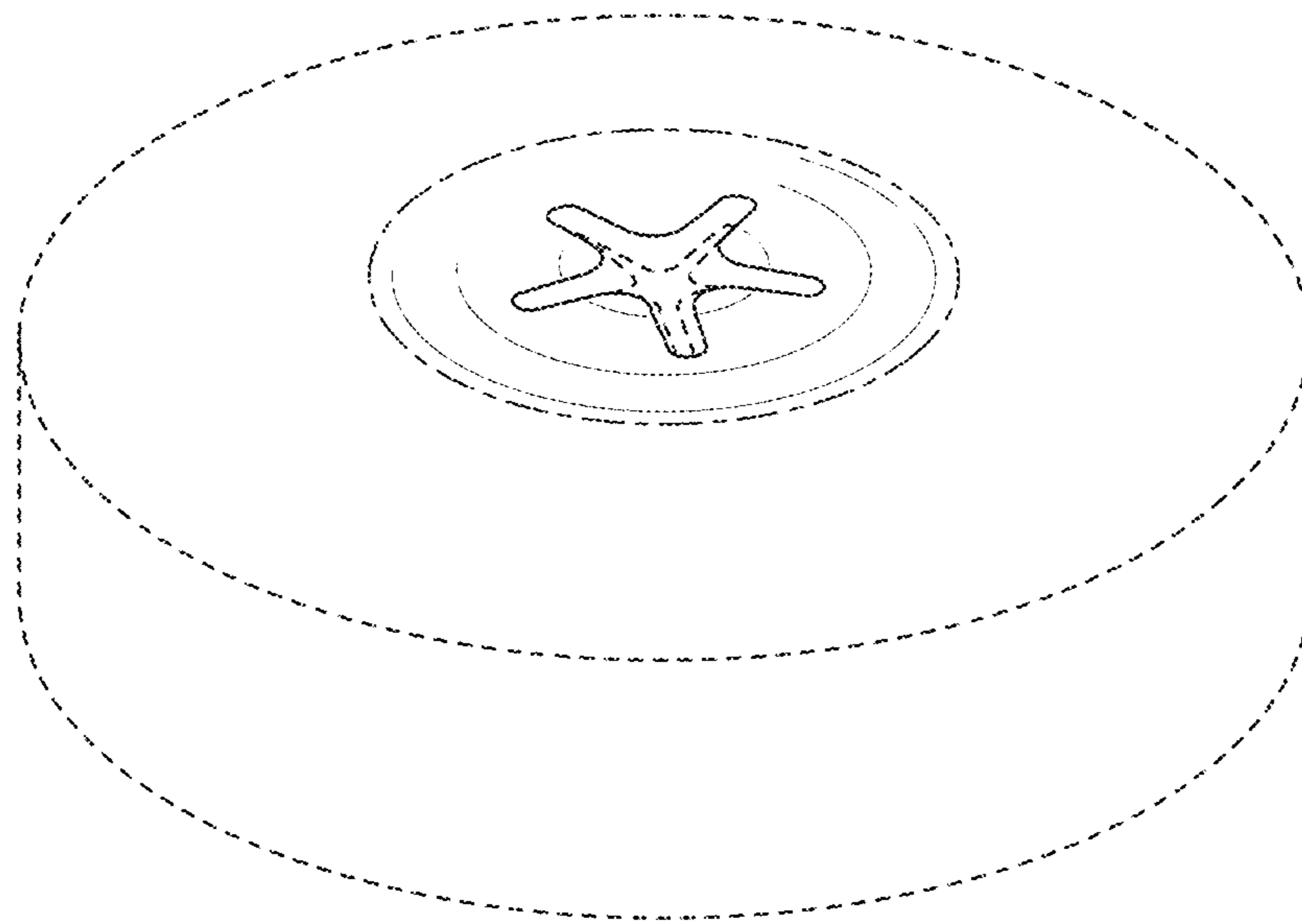


FIG. 5

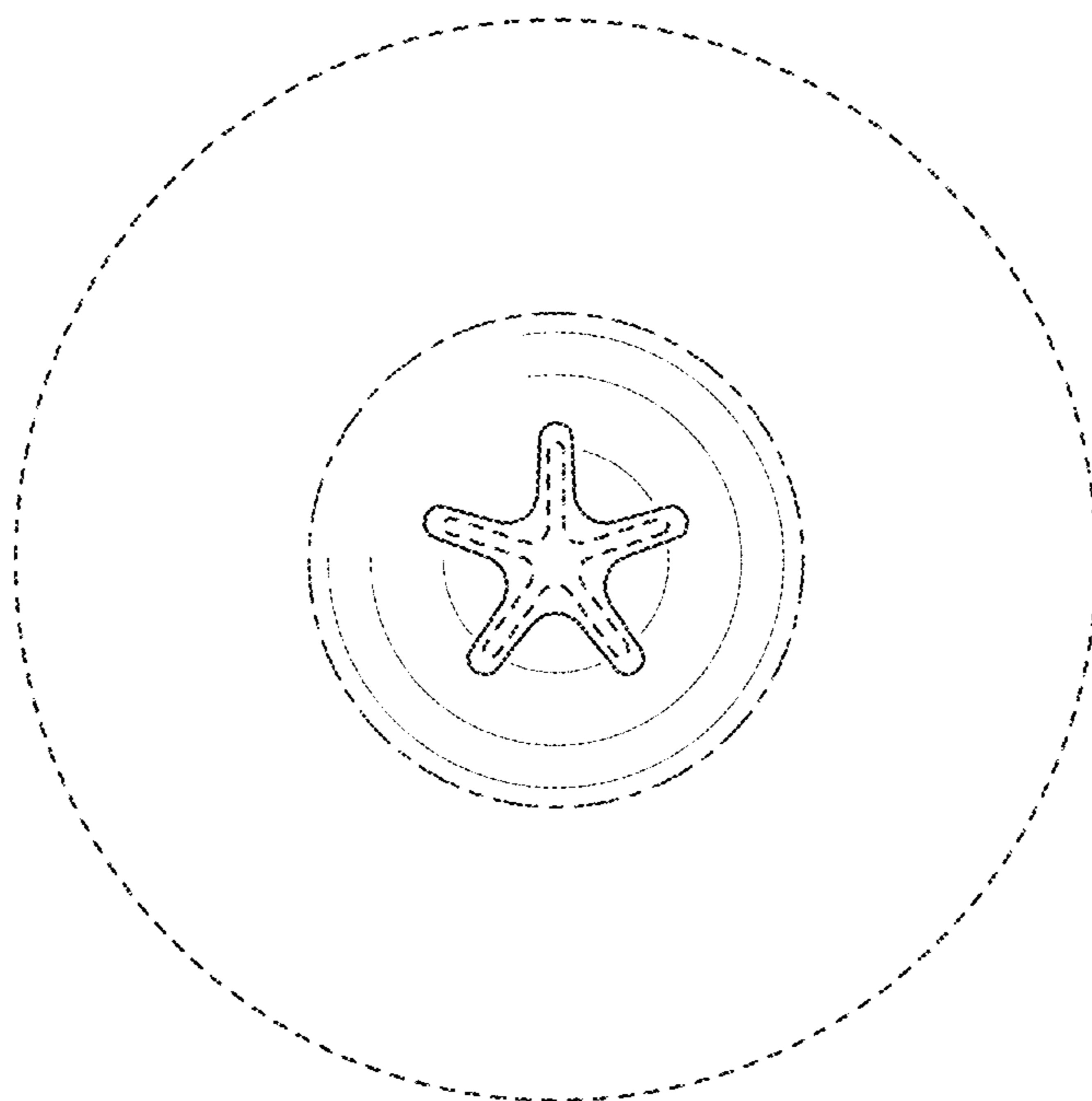


FIG. 6

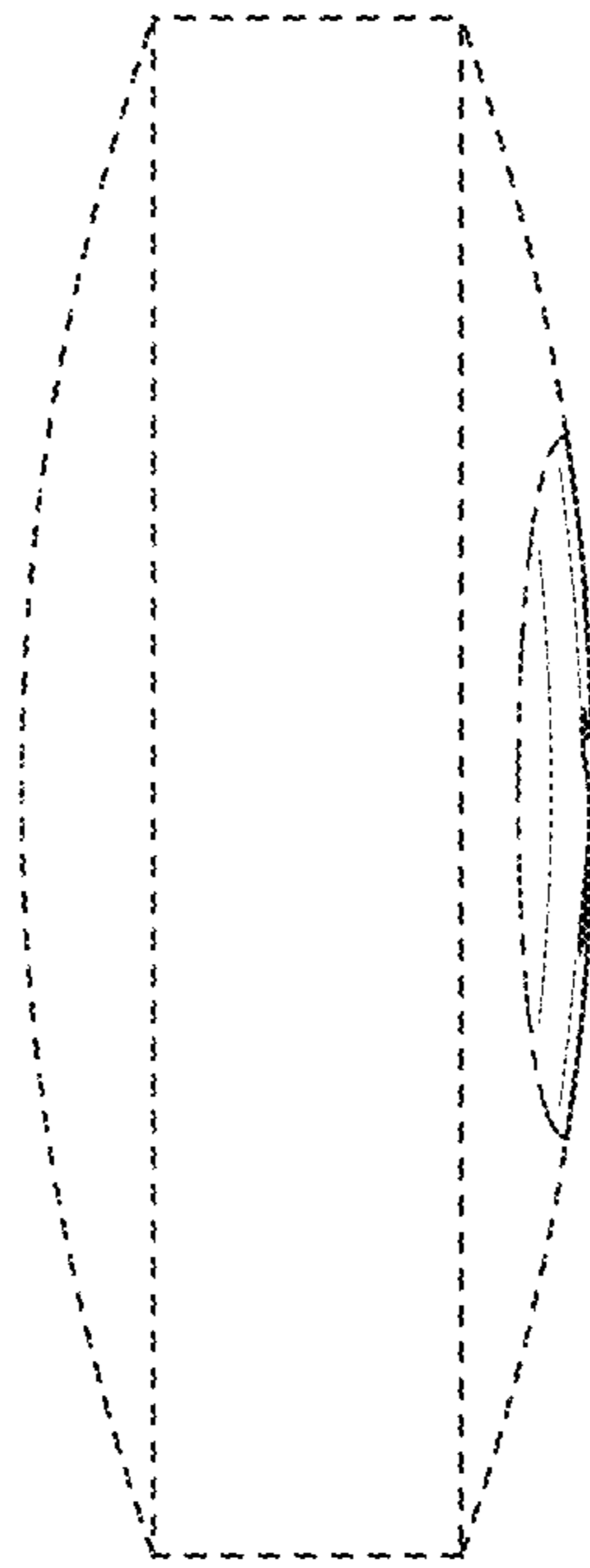


FIG. 7

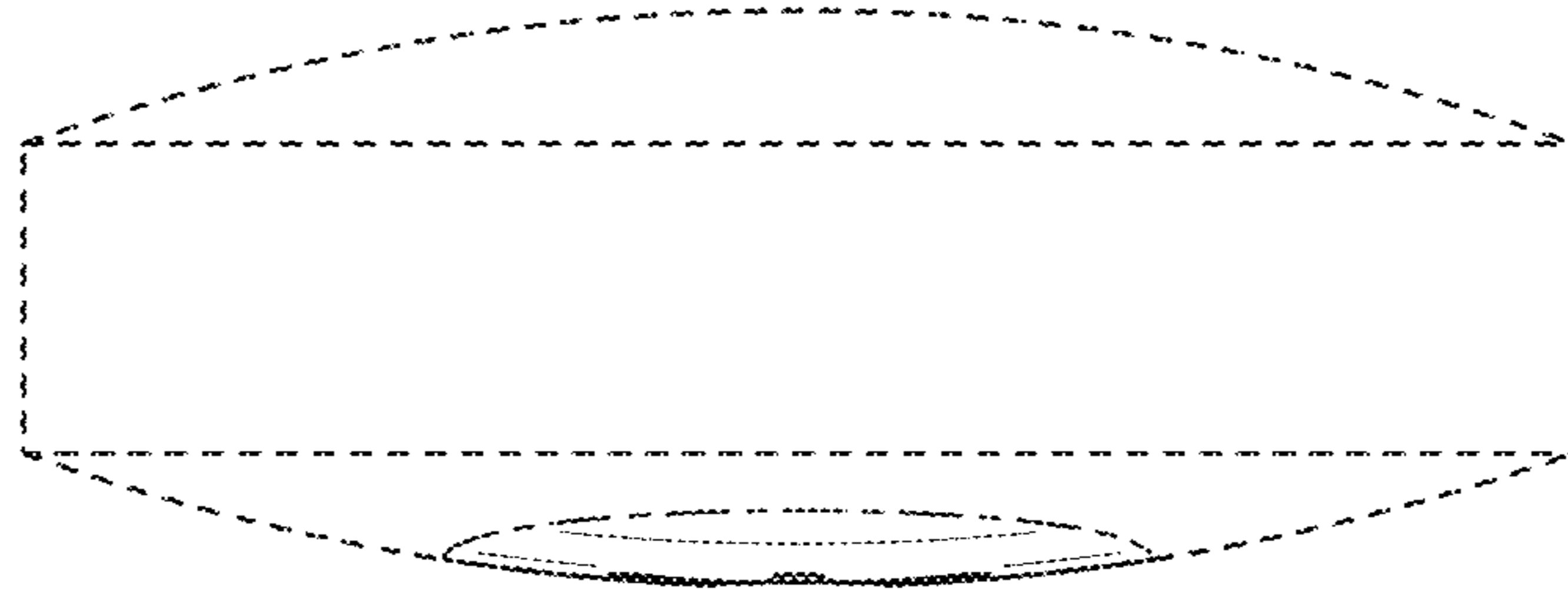


FIG. 8

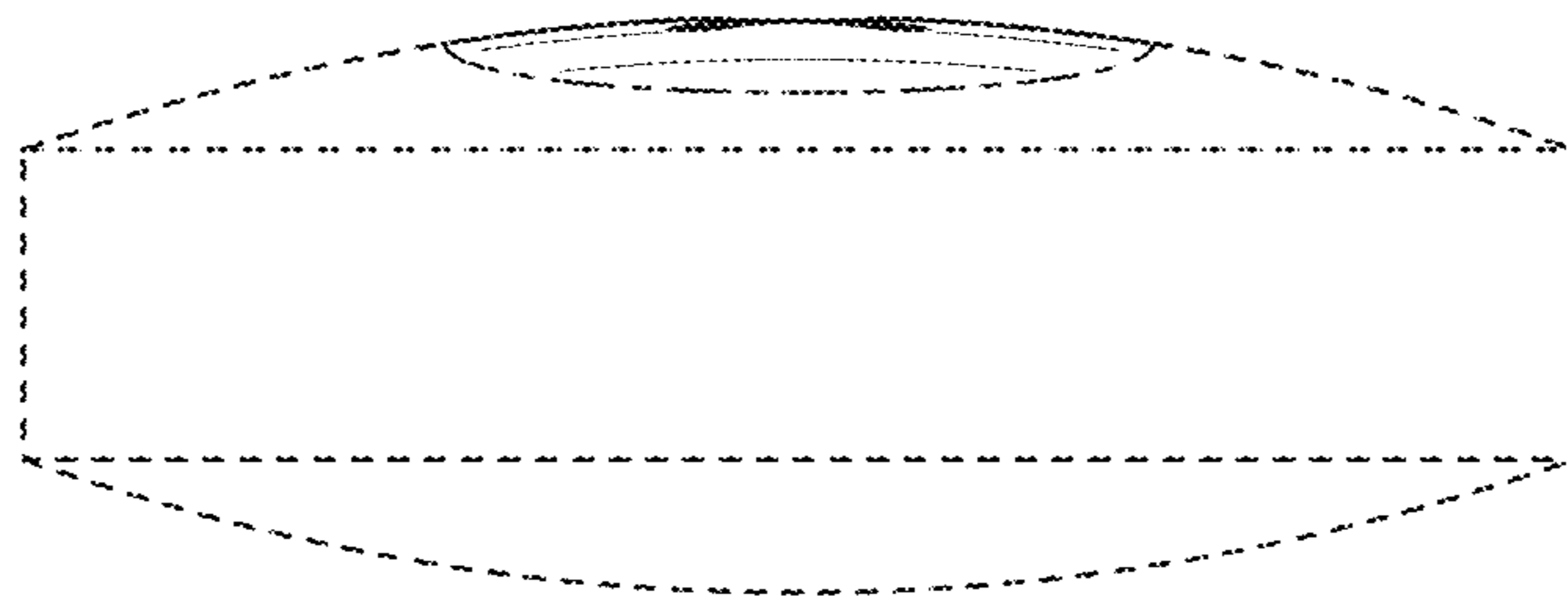


FIG. 9