



US00D778427S

(12) **United States Design Patent**
Hidalgo

(10) **Patent No.:** **US D778,427 S**
(45) **Date of Patent:** **** Feb. 7, 2017**

- (54) **CEILING FAN BLADE IRON**
- (71) Applicant: **Minka Lighting, Inc.**, Corona, CA (US)
- (72) Inventor: **Rolando Hidalgo**, Yorba Linda, CA (US)
- (73) Assignee: **Minka Lighting, Inc.**, Corona, CA (US)
- (**) Term: **15 Years**
- (21) Appl. No.: **29/549,721**
- (22) Filed: **Dec. 28, 2015**

D326,905 S 6/1992 Scofield
 D328,947 S 8/1992 Holbrook
 D329,494 S 9/1992 Holbrook
 (Continued)

OTHER PUBLICATIONS

1980s Fan by Murray Feiss Model CF-1, 2 and 3. vintageceilingfans.com [online] 15 pages Uploaded Mar. 1, 2013 [retrieved on Feb. 16, 2016]. Retrieved from Internet: <http://www.vintageceilingfans.com/murryfeissceilingfanmodelcf-1,2,3,.html>.

Primary Examiner — Susan Bennett Hattan
Assistant Examiner — Marie Fast Horse
(74) *Attorney, Agent, or Firm* — Baker & McKenzie LLP

Related U.S. Application Data

- (63) Continuation-in-part of application No. 29/511,469, filed on Dec. 10, 2014, now abandoned.
- (51) **LOC (10) Cl.** **23-04**
- (52) **U.S. Cl.**
USPC **D23/411**
- (58) **Field of Classification Search**
USPC D23/377, 379, 385, 387, 411–414, 499;
416/1, 5, 170 R, 214 R, 184, 206, 207,
416/210 R, 220 R, 244 R, 248; 392/364;
D8/349, 373, 327, 328, 343, 363, 376,
D8/378, 380; D6/709, 709.22, 710,
D6/708.23
CPC F04D 25/088; F04D 29/005; F04D 29/601;
F04D 29/322; F04D 29/324; F04D 29/34;
F21V 33/0096
See application file for complete search history.

(56) **References Cited**

U.S. PATENT DOCUMENTS

D270,563 S	9/1983	Phillips
4,796,166 A	1/1989	Greenberg
D315,947 S	4/1991	Hollbrook
5,028,206 A	7/1991	Kendregan et al.
5,110,261 A	5/1992	Junkin

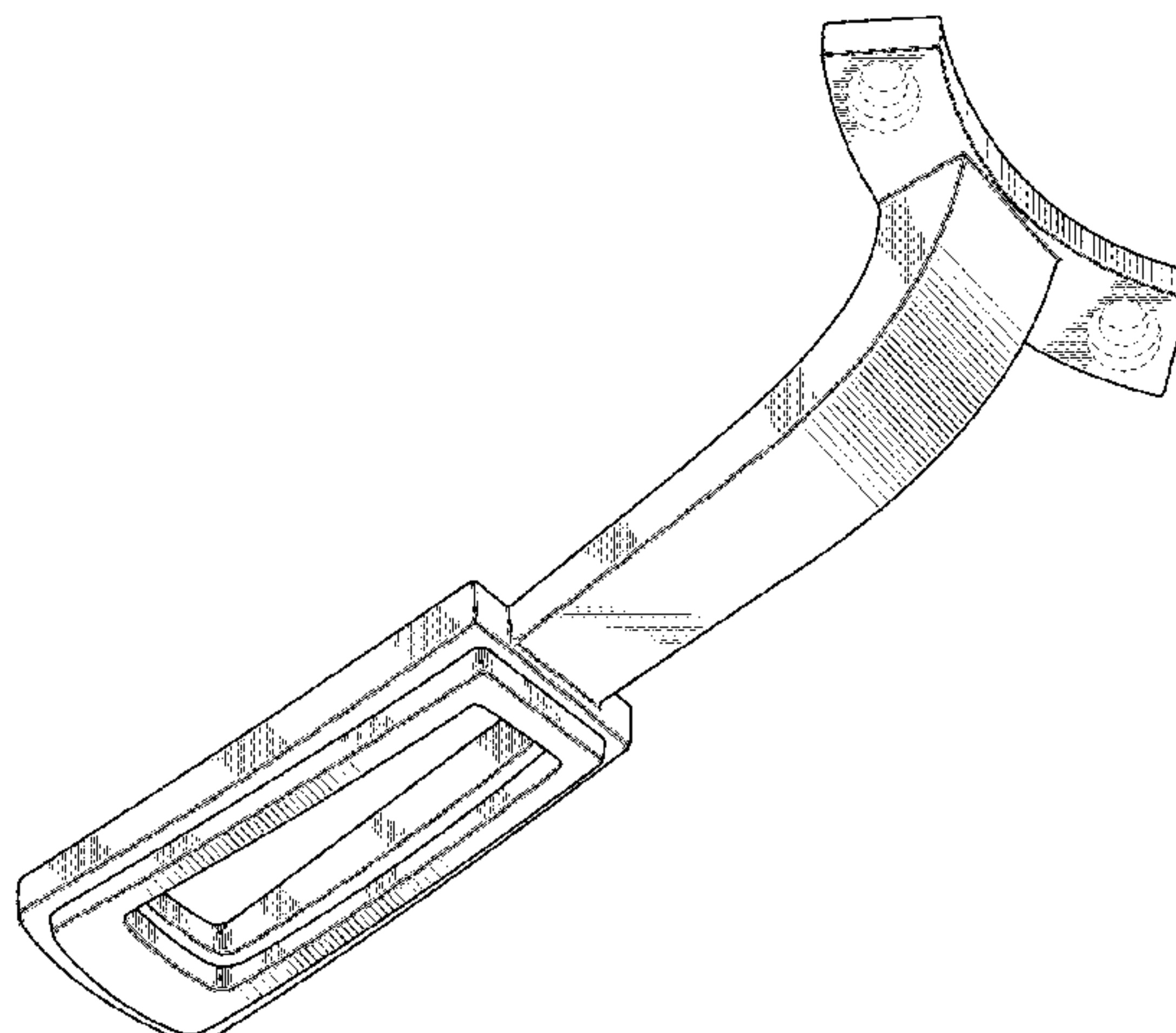
(57) **CLAIM**

The ornamental design for a ceiling fan blade iron, as shown and described.

DESCRIPTION

FIG. 1 is a perspective view of a ceiling fan blade iron in accordance with my design, shown within its environment; FIG. 2 is an enlarged perspective view of the ceiling fan blade iron in accordance with my design; FIG. 3 is an enlarged top plan view of the ceiling fan blade iron in accordance with my design; FIG. 4 is an enlarged bottom plan view of the ceiling fan blade iron in accordance with my design; FIG. 5 is an enlarged front elevation view of the ceiling fan blade iron in accordance with my design; FIG. 6 is an enlarged rear elevation view of the ceiling fan blade iron in accordance with my design; FIG. 7 is an enlarged left-side elevation view of the ceiling fan blade iron in accordance with my design; and, FIG. 8 is an enlarged right-side elevation view of the ceiling fan blade iron in accordance with my design. The broken lines in FIG. 1 showing the ceiling fan depict environmental subject matter only and forms no part of the

(Continued)



claim; while, the broken lines showing the screws depict parts of the ceiling fan blade iron that form no part of the claim.

1 Claim, 3 Drawing Sheets

(56)

References Cited

U.S. PATENT DOCUMENTS

D358,877 S 5/1995 Tsuji
 D363,345 S 10/1995 Wang
 5,462,412 A * 10/1995 Scofield F04D 29/384
 248/343
 D374,925 S 10/1996 Jaspers-Fayer
 D408,517 S 4/1999 LaSpina
 D409,302 S 5/1999 Zuege
 6,036,154 A 3/2000 Pearce
 D425,191 S 5/2000 LaSpina
 D428,482 S 7/2000 Lee
 6,676,375 B2 1/2004 Steeves LeBlanc et al.

D515,197 S 2/2006 Hidalgo
 D521,623 S 5/2006 Hidalgo
 D531,297 S 10/2006 Ertze
 7,281,899 B1 * 10/2007 Bucher F04D 25/088
 29/889.1
 D572,815 S * 7/2008 Hidalgo D23/411
 D573,243 S 7/2008 Pan
 D584,396 S 1/2009 Bucher et al.
 D594,549 S * 6/2009 Pan D23/411
 D599,469 S * 9/2009 Yang D23/411
 D704,324 S * 5/2014 Wang D23/411
 D705,922 S * 5/2014 Wang D23/411
 D707,347 S * 6/2014 Wang D23/411
 D707,348 S * 6/2014 Pan D23/411
 D744,080 S * 11/2015 Wang D23/411
 D762,839 S * 8/2016 Schulzman D23/411
 2009/0246028 A1 * 10/2009 Richardson F04D 29/34
 416/210 R
 2011/0116946 A1 * 5/2011 Webb F04D 25/088
 417/410.1
 2015/0090858 A1 4/2015 Broughman et al.
 2015/0240824 A1 8/2015 Jones et al.

* cited by examiner

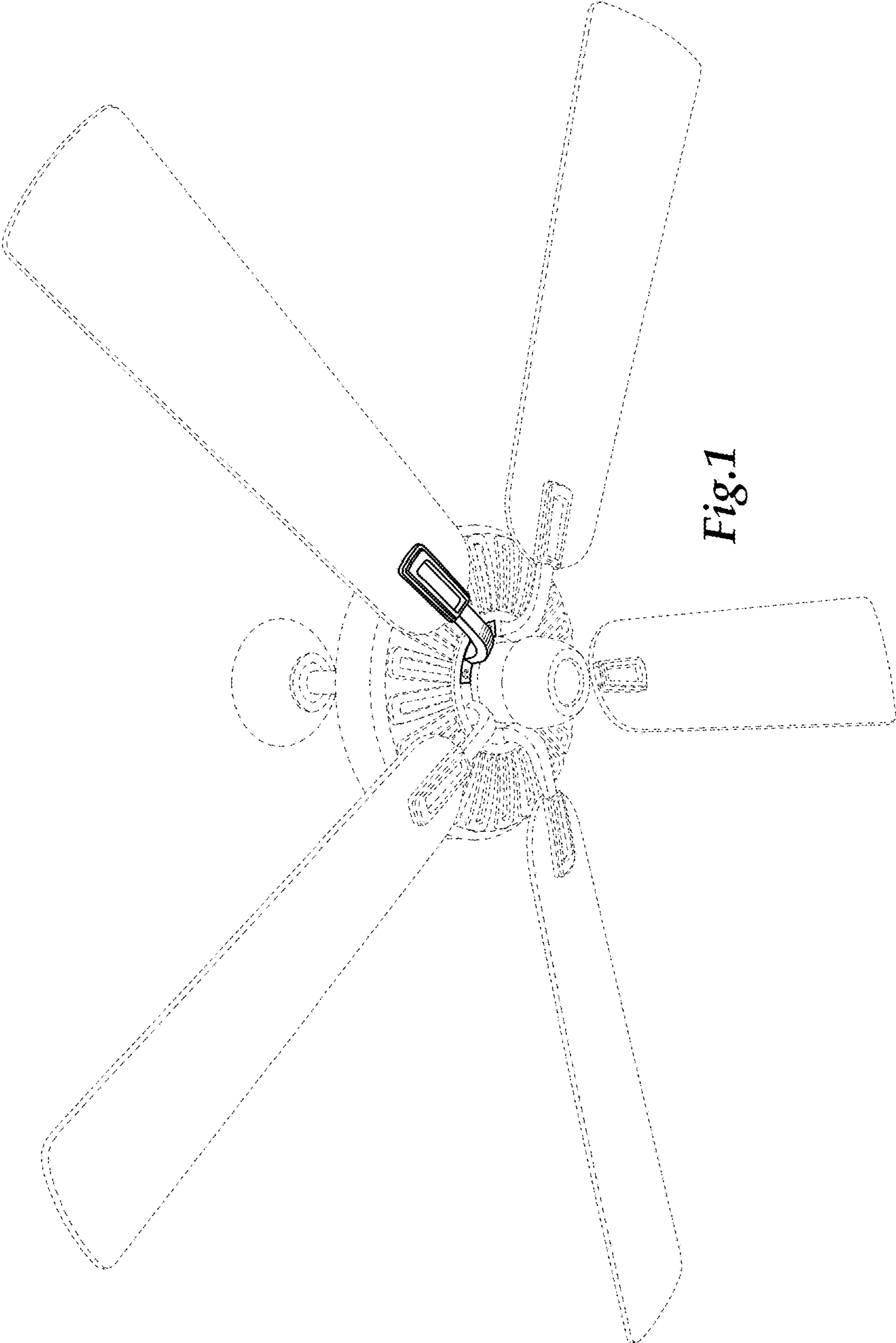
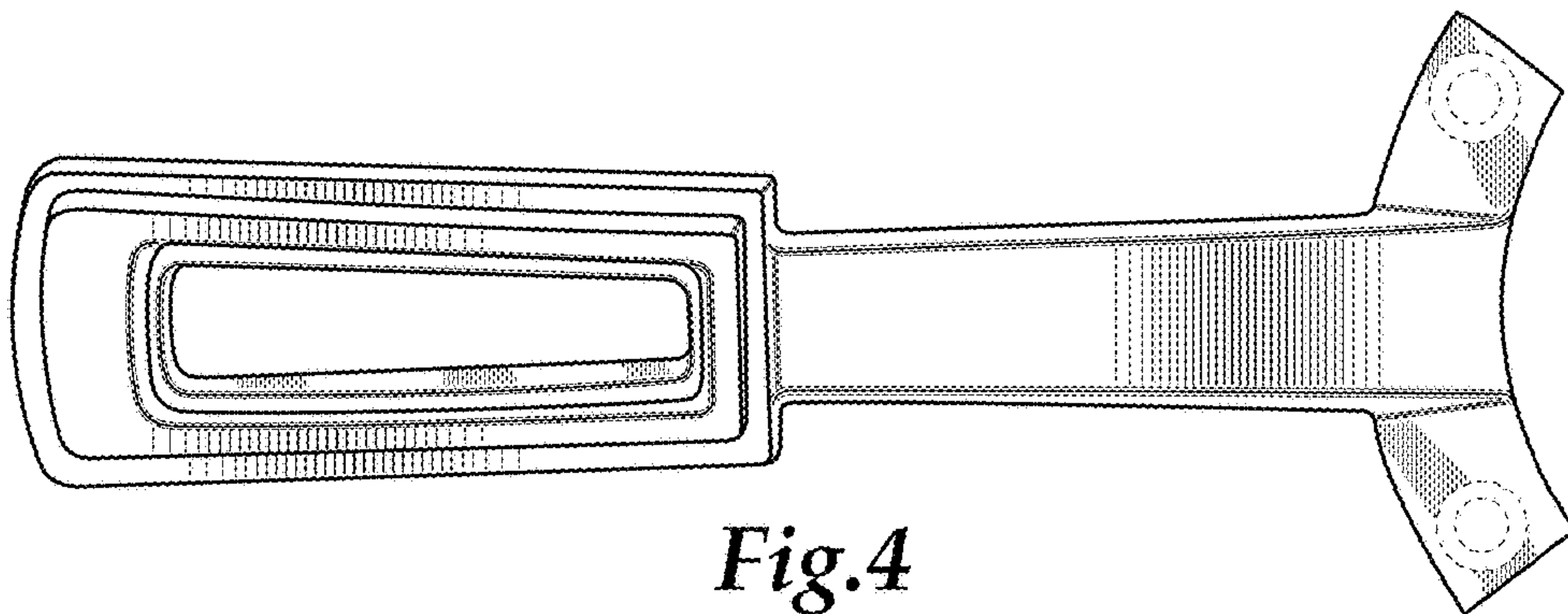
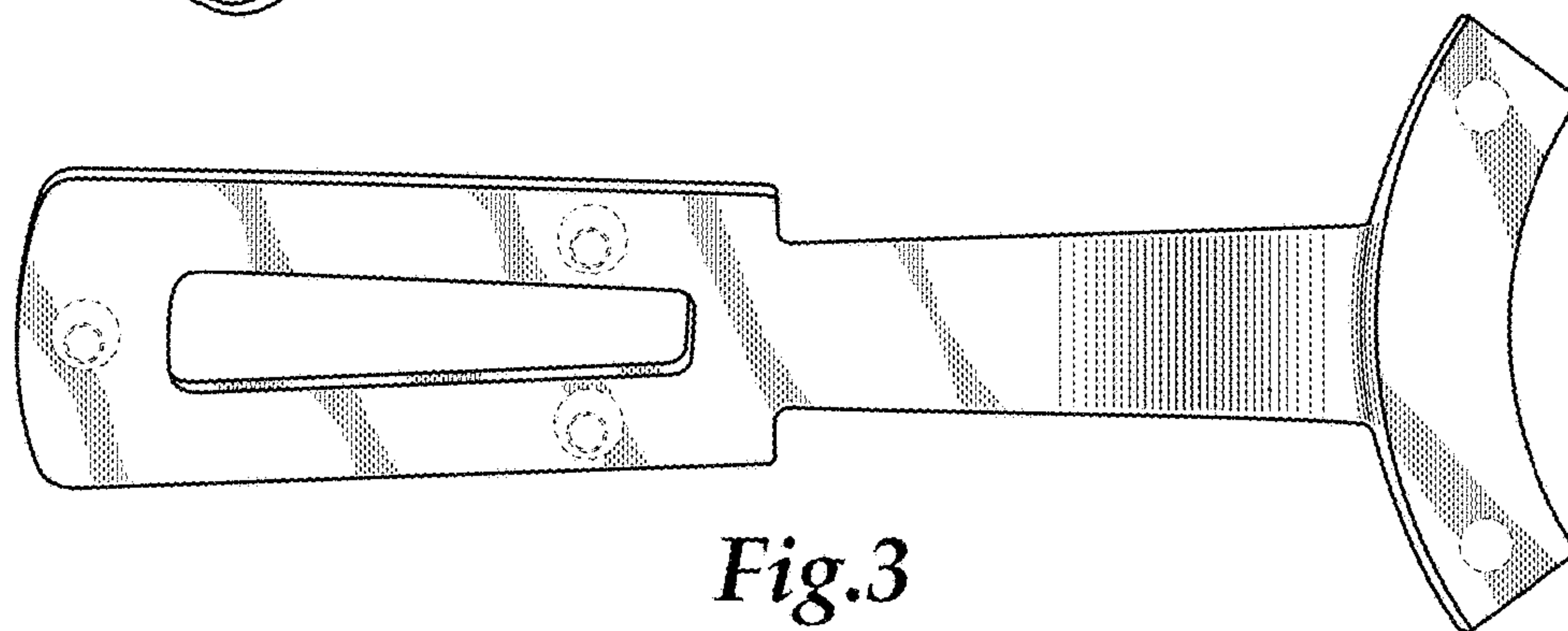
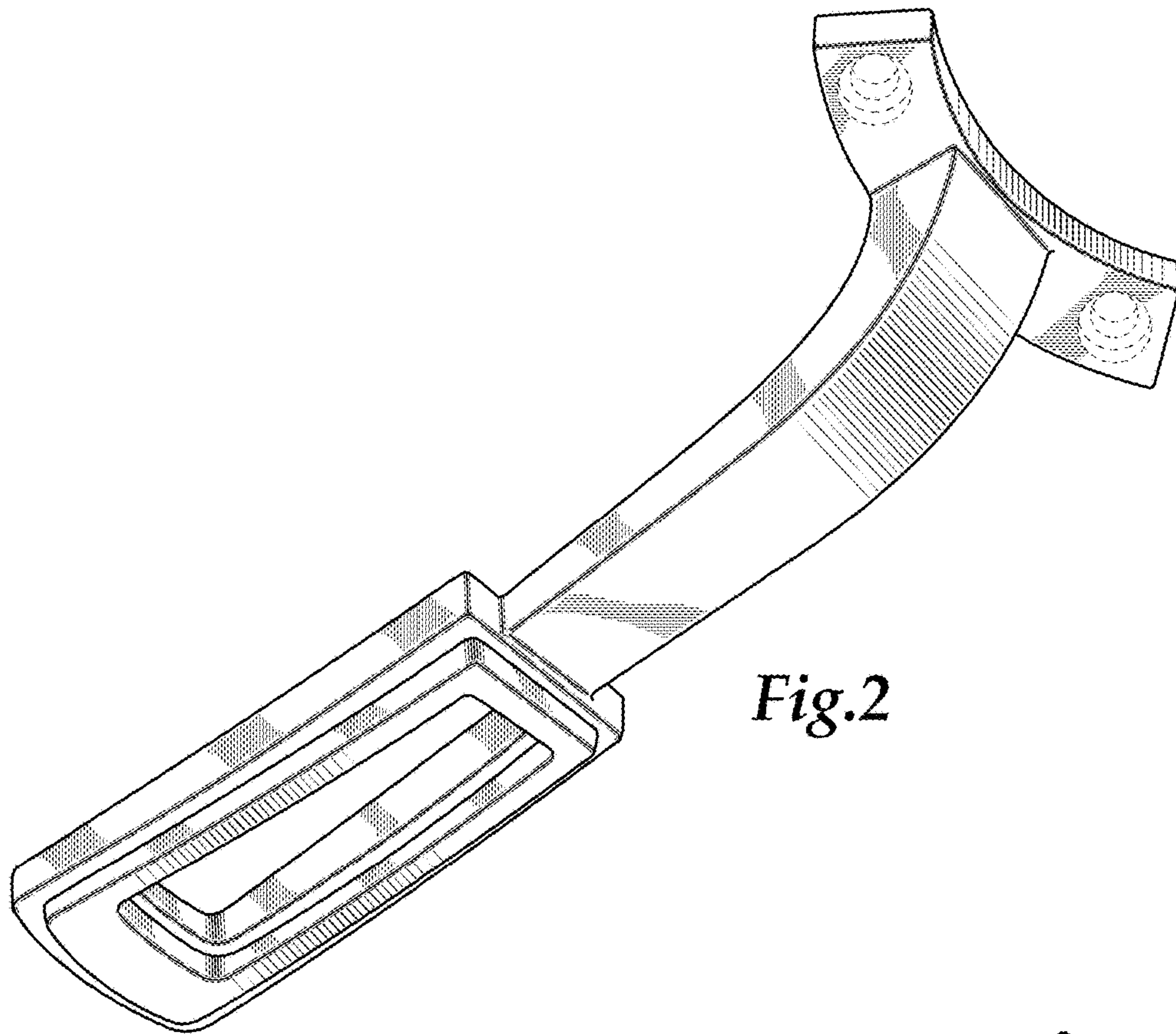


Fig. 1



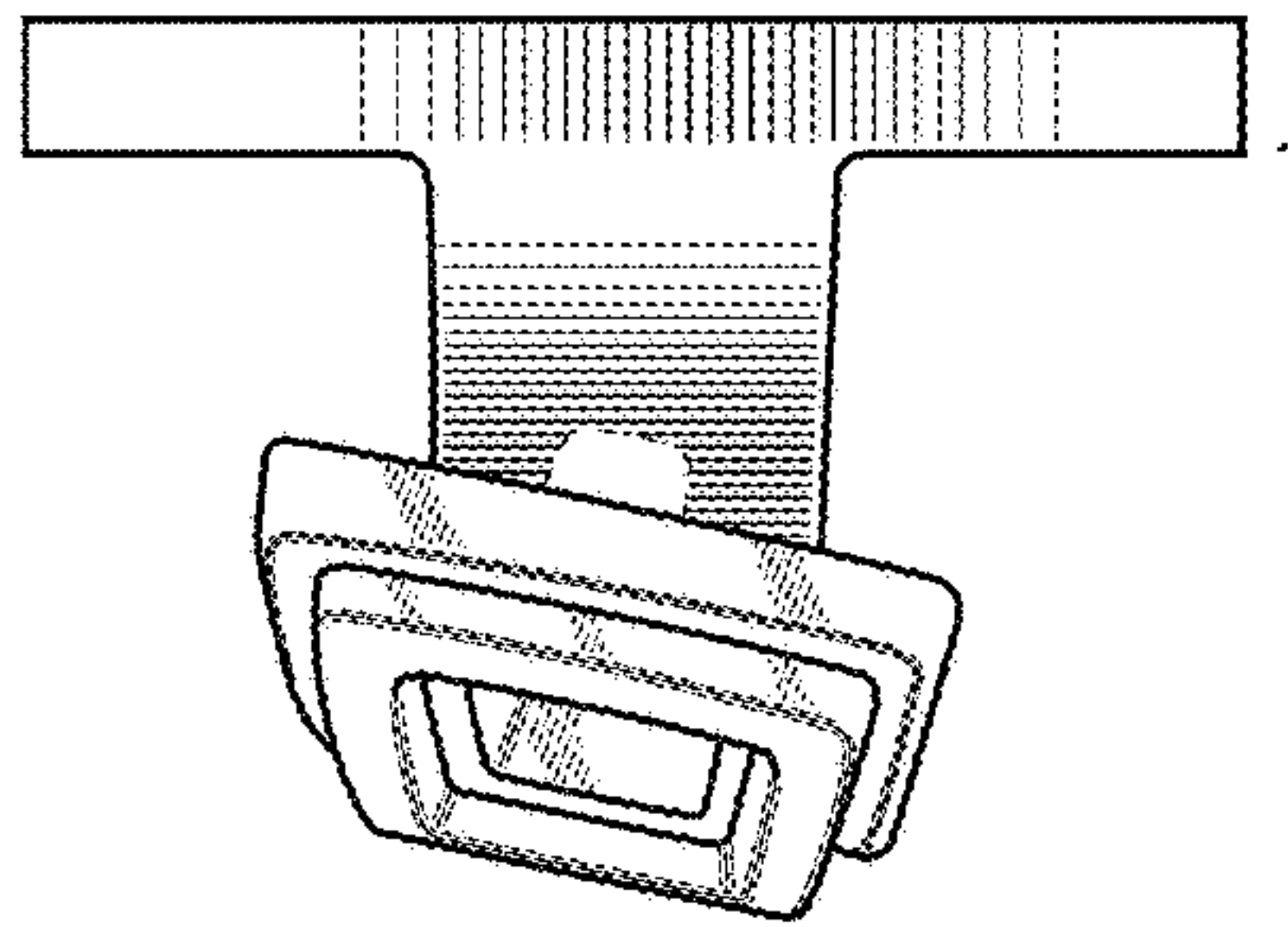


Fig.5

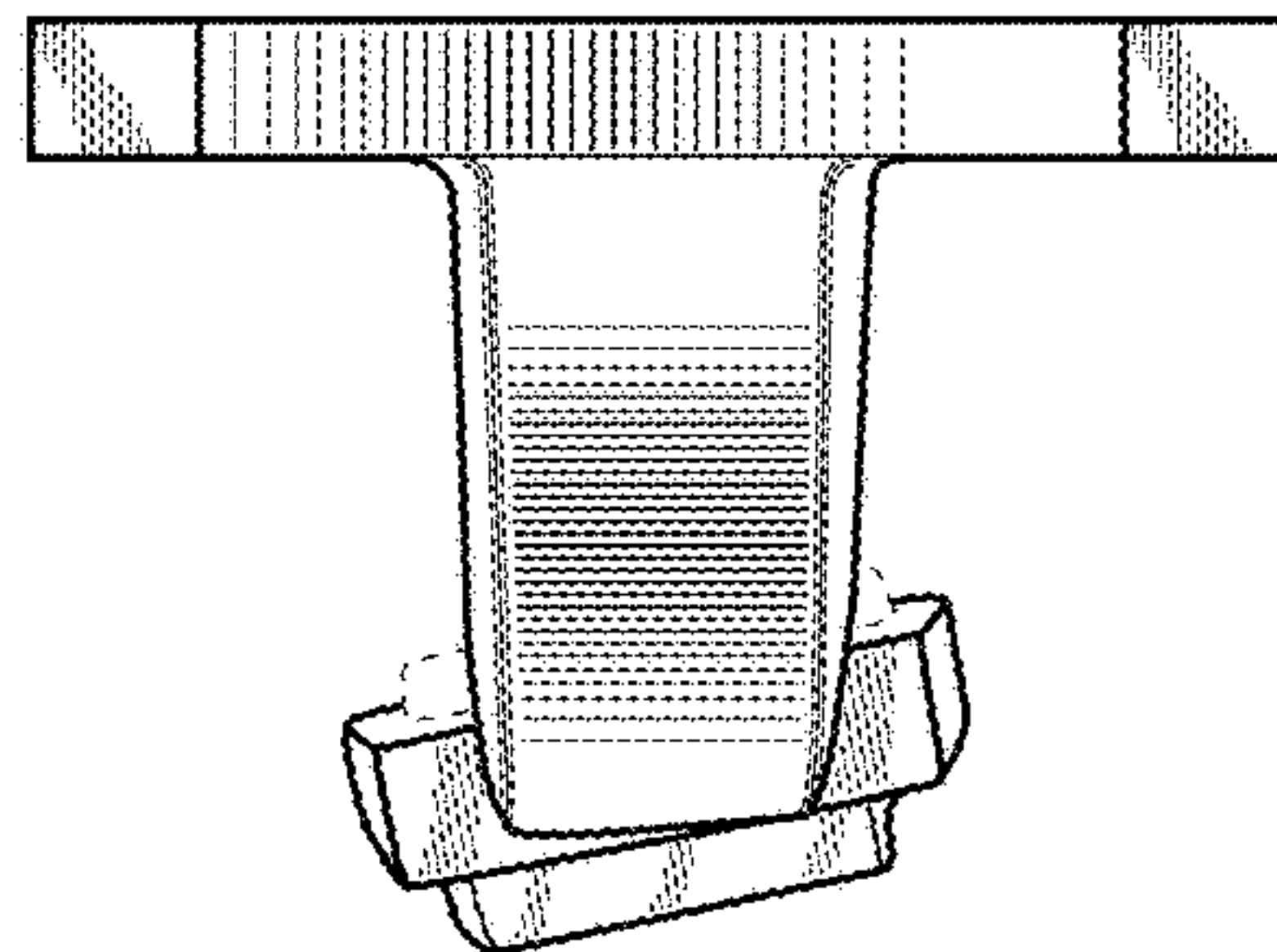


Fig.6

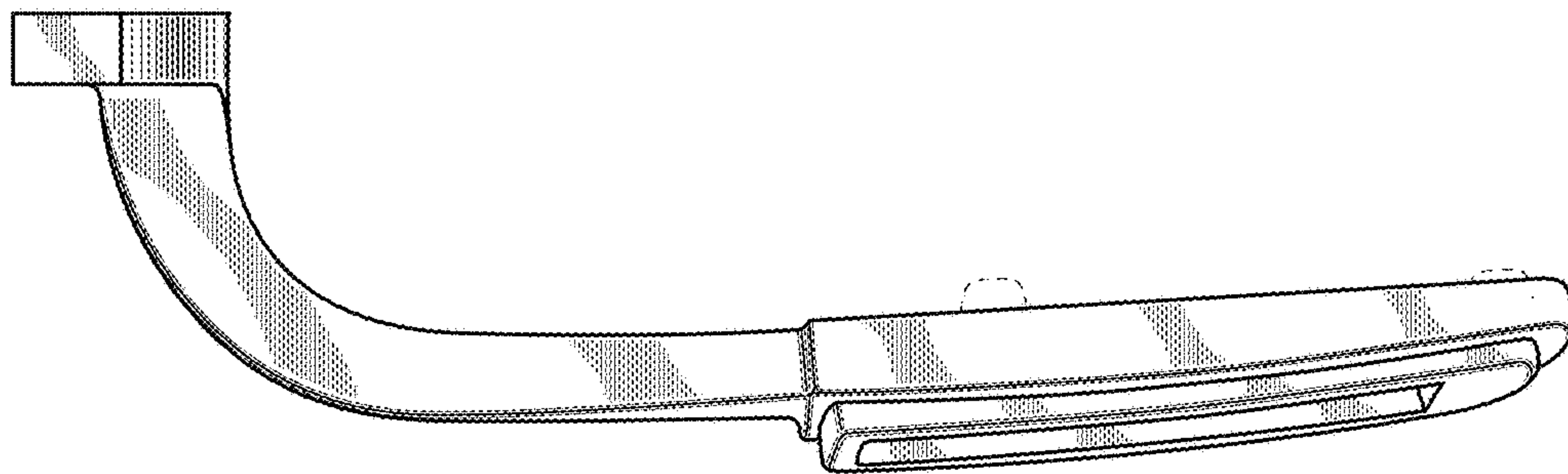


Fig.7

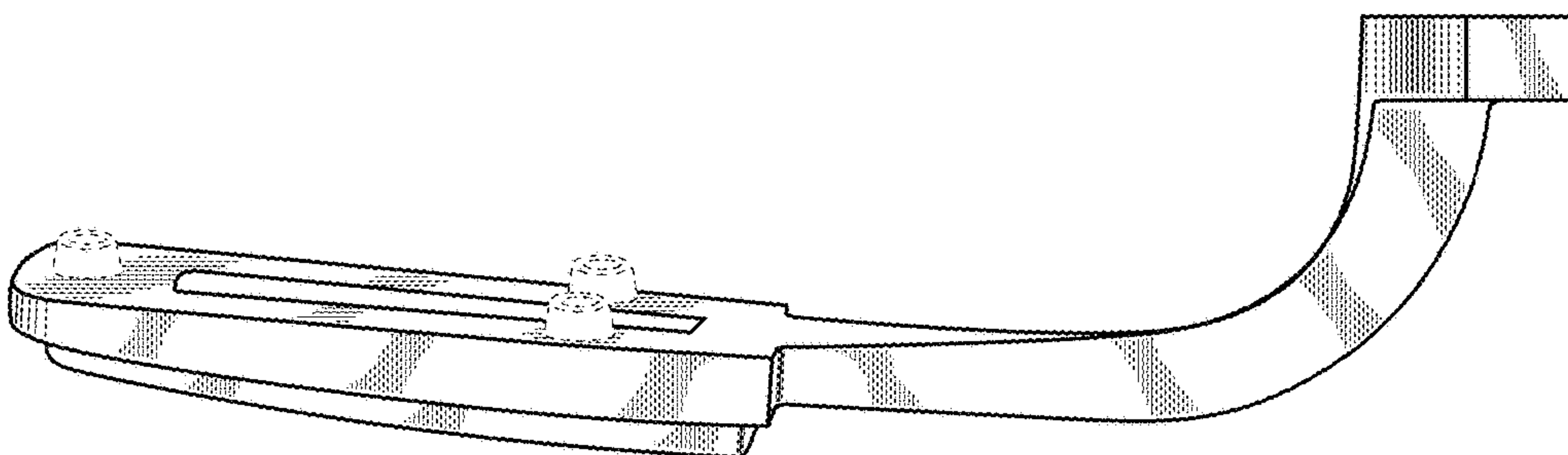


Fig.8