



US00D778426S

(12) **United States Design Patent**  
**Hidalgo**

(10) **Patent No.:** **US D778,426 S**

(45) **Date of Patent:** **\*\* Feb. 7, 2017**

(54) **CEILING FAN HOUSING WITH LIGHT FIXTURE**

5,110,261 A 5/1992 Junkin  
D326,905 S 6/1992 Scofield  
D328,947 S 8/1992 Holbrook  
D329,494 S 9/1992 Holbrook

(71) Applicant: **Minka Lighting, Inc.**, Corona, CA (US)

(Continued)

(72) Inventor: **Rolando Hidalgo**, Yorba Linda, CA (US)

**OTHER PUBLICATIONS**

(73) Assignee: **Minka Lighting, Inc.**, Corona, CA (US)

1980s Fan by Murray Feiss Model CF-1, 2 and 3. vintageceilingfans.com [online] 15 pages Uploaded Mar. 1, 2013 [retrieved on Feb. 16, 2016]. Retrieved from Internet: <http://www.vintageceilingfans.com/murryfeissceilingfanmodelcf-1,2,3,.html>.

(\*\*) Term: **15 Years**

*Primary Examiner* — Susan Bennett Hattan

(21) Appl. No.: **29/549,588**

*Assistant Examiner* — Marie Fast Horse

(22) Filed: **Dec. 22, 2015**

(74) *Attorney, Agent, or Firm* — Baker & McKenzie LLP

**Related U.S. Application Data**

(57) **CLAIM**

(63) Continuation-in-part of application No. 29/511,469, filed on Dec. 10, 2014, now abandoned.

The ornamental design for a ceiling fan housing with light fixture, as shown and described.

(51) **LOC (10) Cl.** ..... **23-04**

**DESCRIPTION**

(52) **U.S. Cl.**  
USPC ..... **D23/411; D26/59**

(58) **Field of Classification Search**  
USPC ..... D23/377, 379, 385, 387, 411–414, 499; 416/1, 5, 170 R, 214 R, 184, 206, 207, 416/210 R, 220 R, 244 R, 248; 392/364; D26/59, D26/51, 72, 73, 80–86, 88, 90  
CPC .... F04D 25/088; F04D 29/005; F04D 29/601; F04D 29/322; F04D 29/324; F04D 29/34; F21V 33/0096  
See application file for complete search history.

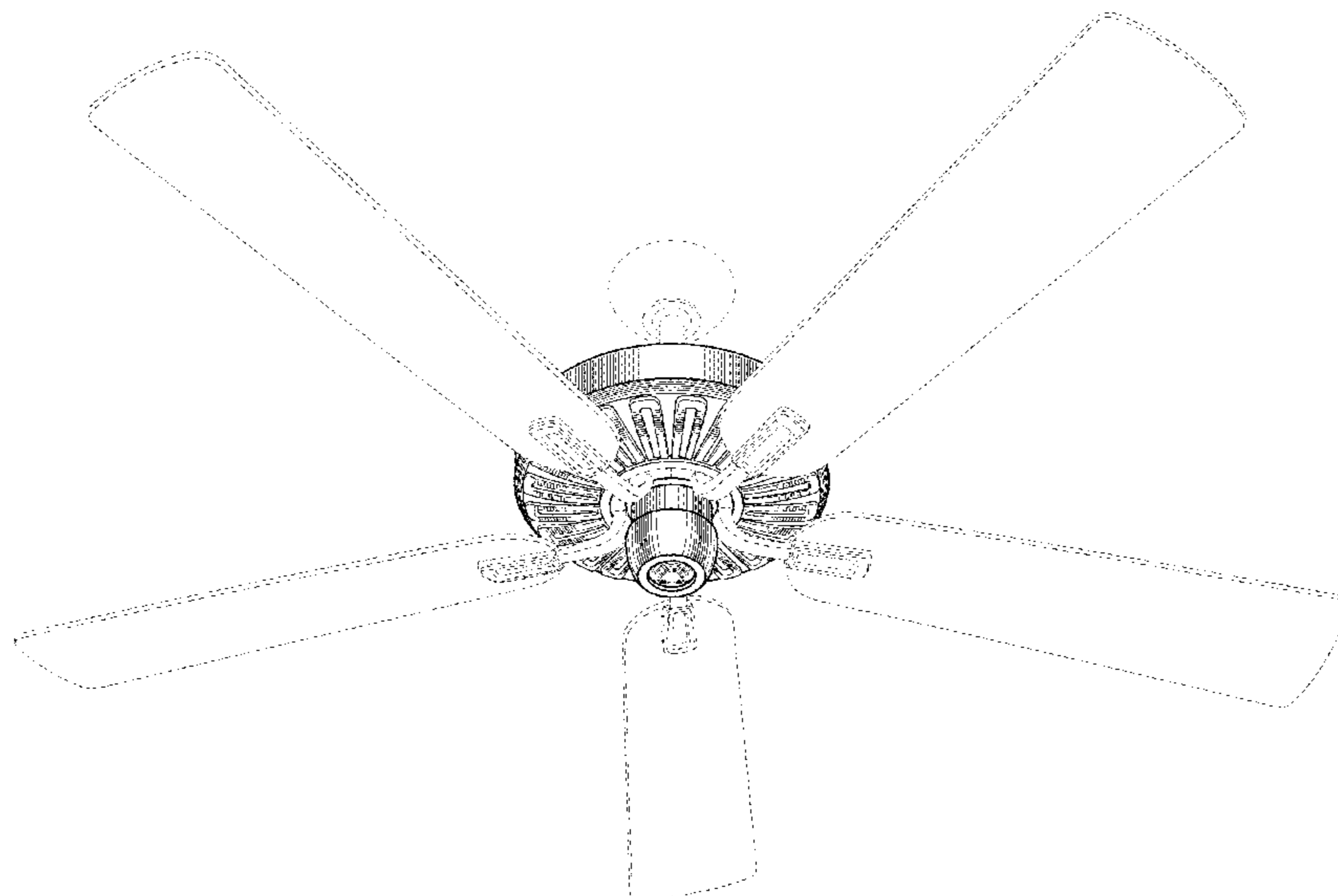
FIG. 1 is a perspective view of a ceiling fan housing with light fixture in accordance with my design;  
FIG. 2 is a top plan view of the ceiling fan housing with light fixture in accordance with my design;  
FIG. 3 is a bottom plan view of the ceiling fan housing with light fixture in accordance with my design;  
FIG. 4 is a front elevation view of the ceiling fan housing with light fixture in accordance with my design;  
FIG. 5 is a rear elevation view of the ceiling fan housing with light fixture in accordance with my design;  
FIG. 6 is a left side elevation view of the ceiling fan housing with light fixture in accordance with my design; and,  
FIG. 7 is a right side elevation view of the ceiling fan housing with light fixture in accordance with my design.  
The broken-line disclosure of elements is understood to represent portions of the article in which the design is embodied, but which form no part of the claimed design.

(56) **References Cited**

**U.S. PATENT DOCUMENTS**

D270,563 S 9/1983 Phillips  
4,796,166 A 1/1989 Greenberg  
D315,947 S 4/1991 Hollbrook  
5,028,206 A 7/1991 Kendregan et al.

**1 Claim, 4 Drawing Sheets**



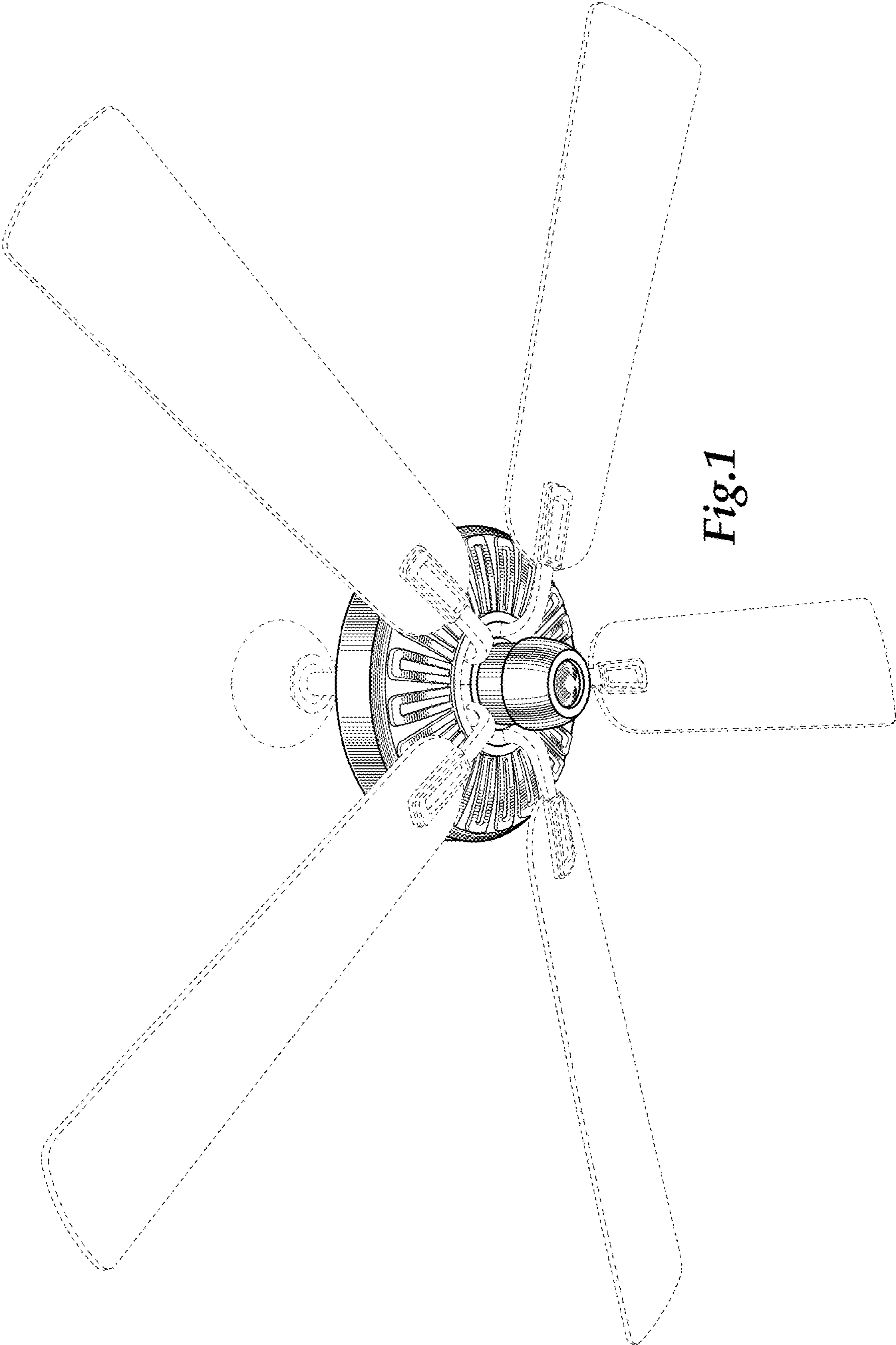
(56)

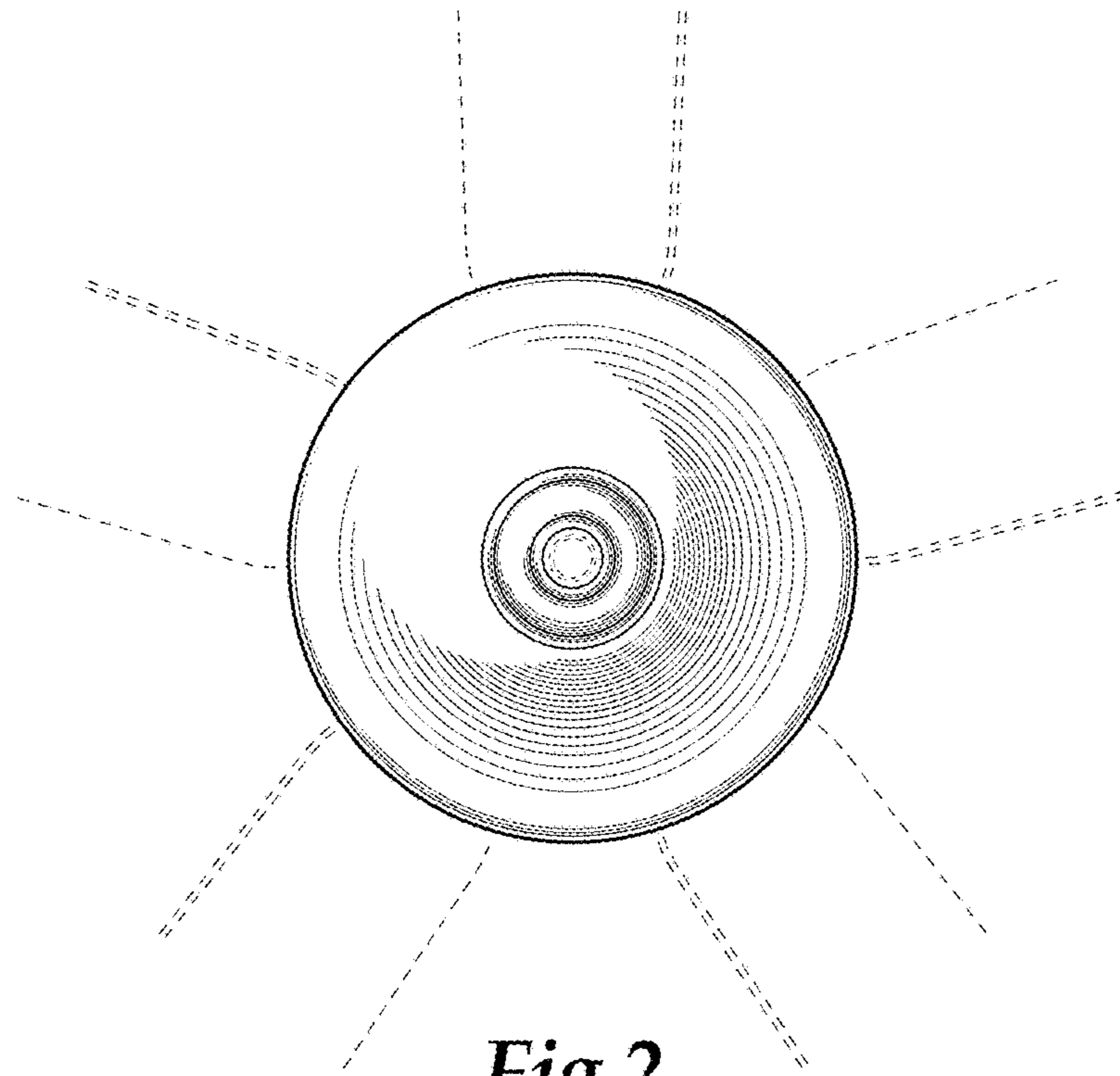
References Cited

U.S. PATENT DOCUMENTS

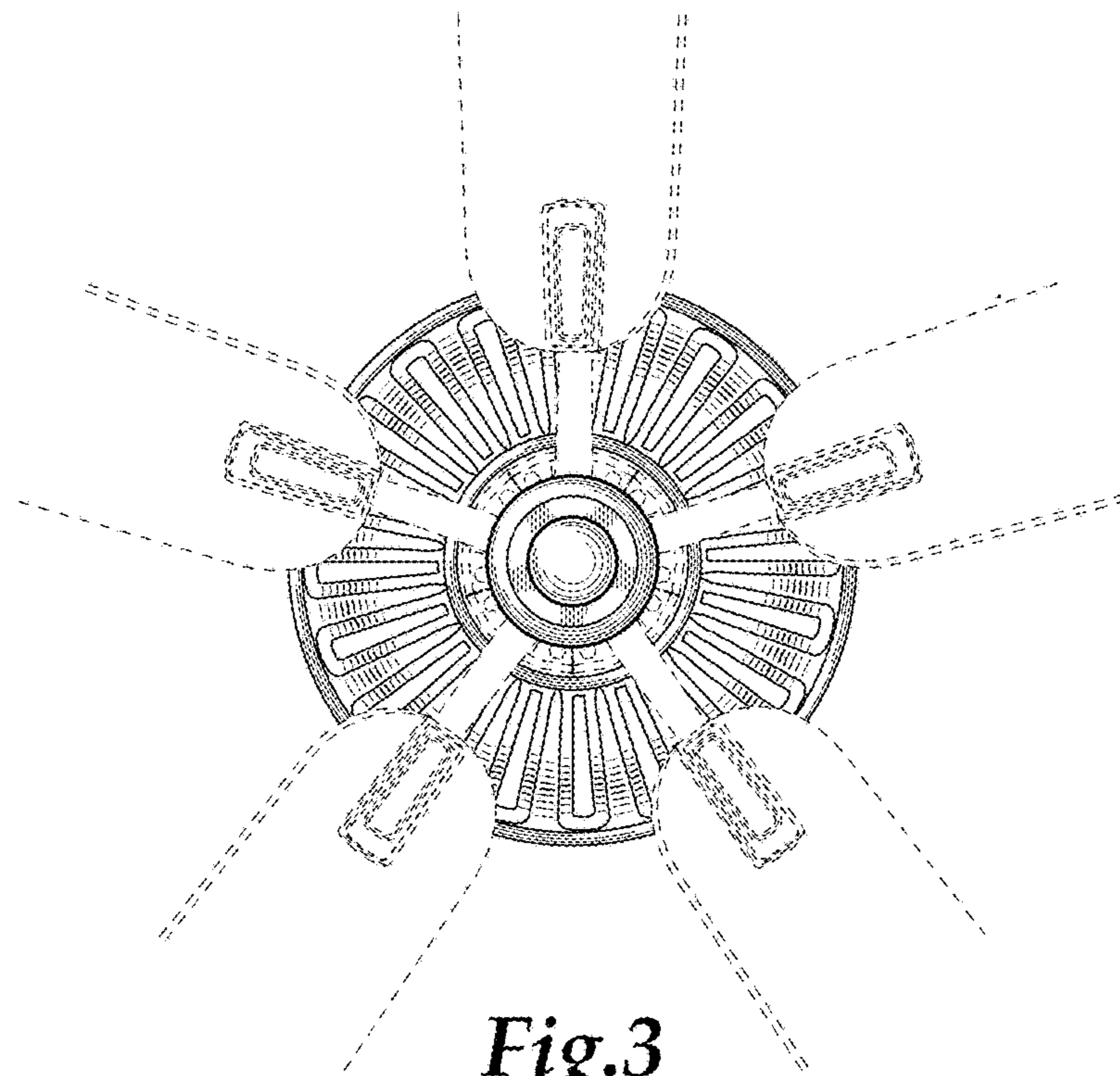
D358,877	S	5/1995	Tsuji	
D363,345	S	10/1995	Wang	
D367,321	S *	2/1996	Holbrook .....	D23/377
D369,405	S *	4/1996	Holbrook .....	D23/377
D374,925	S	10/1996	Jaspers-Fayer	
D393,711	S *	4/1998	Gee, II .....	D23/377
D395,497	S *	6/1998	Zuege .....	D23/377
D408,517	S	4/1999	LaSpina	
D409,302	S	5/1999	Zuege	
D411,295	S *	6/1999	Evans .....	D23/377
6,036,154	A	3/2000	Pearce	
D425,191	S	5/2000	LaSpina	
D428,482	S	7/2000	Lee	
6,676,375	B2	1/2004	Steeves LeBlanc et al.	
D515,197	S	2/2006	Hidalgo	
D521,623	S	5/2006	Hidalgo	
D531,297	S	10/2006	Ertze	
D573,243	S	7/2008	Pan	
D584,396	S	1/2009	Bucher et al.	
D600,339	S *	9/2009	Searle .....	D23/377
D629,962	S *	12/2010	Choi .....	D26/128
D638,158	S *	5/2011	Glasbrenner .....	D26/59
D648,476	S *	11/2011	Choi .....	D26/118
D648,477	S *	11/2011	Kim .....	D26/118
D762,839	S *	8/2016	Schulzman .....	D23/411
2009/0246028	A1	10/2009	Richardson	
2011/0058947	A1 *	3/2011	Haynes .....	F04D 25/088 416/210 R
2015/0090858	A1	4/2015	Broughman et al.	
2015/0240824	A1	8/2015	Jones et al.	

\* cited by examiner





*Fig.2*



*Fig.3*

