



US00D778424S

(12) **United States Design Patent**  
**Jonas et al.**

(10) **Patent No.:** **US D778,424 S**  
(45) **Date of Patent:** **\*\* Feb. 7, 2017**

(54) **VENTILATOR GRILL**

(71) Applicant: **Broan-NuTone LLC**, Hartford, WI (US)

(72) Inventors: **Kenneth J. Jonas**, Mequon, WI (US); **Corey Scott Jacak**, West Bend, WI (US); **Benjamin Thorpe Puffer**, Hartford, WI (US); **Michael J. Aleven**, West Bend, WI (US)

(73) Assignee: **Broan-NuTone LLC**, Hartford, WI (US)

(\*\*) Term: **14 Years**

(21) Appl. No.: **29/514,067**

(22) Filed: **Jan. 8, 2015**

(51) **LOC (10) Cl.** ..... **23-04**

(52) **U.S. Cl.**  
USPC ..... **D23/388**

(58) **Field of Classification Search**  
USPC .... D17/20, 22, 23; D11/143, 144; D13/182; D23/323, 328, 333, 335, 336, 337, 341, D23/352, 357, 370, 385, 386, 397, 399, D23/400, 406, 411, 413, 499, 388, 412  
CPC ..... B64C 11/04; B64C 11/16; B64C 11/18; B64C 11/20; B64C 2001/009; F03D 3/062; F03D 11/04; F04D 19/002; F04D 25/068; F04D 25/088; F04D 19/00; F04D 17/16; F04D 25/14; F04D 25/0606; F04D 29/626; F24F 1/0018; F24F 7/007; F24F 13/10; F24F 13/32; B64D 13/02; E04C 2/427; E06B 3/5892; B24B 37/04; B01D 46/00; F24H 3/04

See application file for complete search history.

2,790,375 A \* 4/1957 Broberg ..... F24F 7/00 454/326

2,831,550 A \* 4/1958 Bub ..... B01D 39/2082 55/444

2,939,377 A \* 6/1960 Stach ..... F24D 5/00 454/332

2,963,956 A 12/1960 Hill

3,326,112 A \* 6/1967 Sadlow ..... E04B 9/02 362/148

3,460,322 A 8/1969 Rivers et al.

3,861,894 A 1/1975 Marsh

D287,888 S \* 1/1987 Castor ..... D23/371

4,722,266 A 2/1988 Deckert

D315,790 S \* 3/1991 Koessler ..... D23/388

D330,585 S 10/1992 Saito et al.

D331,458 S 12/1992 Saito et al.

D334,053 S \* 3/1993 Cook ..... D23/370

D338,954 S 8/1993 Brock

5,333,830 A 8/1994 Millen

D357,732 S \* 4/1995 Spechts ..... D23/388

D372,767 S 8/1996 Borges

D374,927 S \* 10/1996 Chabot ..... D23/386

D376,639 S 12/1996 Moore

D387,859 S 12/1997 Ukai et al.

D398,417 S \* 9/1998 Fritzsche ..... D26/119

D401,682 S 11/1998 Galeazzi et al.

D403,442 S \* 12/1998 Joss ..... D26/26

D424,672 S 5/2000 Nanjo

D426,292 S 6/2000 Nanjo

D427,303 S \* 6/2000 Brown ..... D23/390

D433,116 S 10/2000 Han et al.

D434,126 S \* 11/2000 Caronna ..... D23/351

D446,850 S \* 8/2001 Arlotta ..... D23/393

D452,905 S \* 1/2002 Peng ..... D23/370

D452,906 S 1/2002 Peng

D457,232 S \* 5/2002 Miura ..... D23/371

D457,616 S 5/2002 Yamanaka et al.

D461,235 S \* 8/2002 Arlotta ..... D23/393

D464,718 S \* 10/2002 Wilson ..... D23/341

D480,791 S 10/2003 Phillips

D481,822 S 11/2003 Wang

6,651,454 B1 \* 11/2003 Spiegel ..... F24F 13/32 62/259.1

D490,147 S \* 5/2004 Miura ..... D23/385

6,750,760 B2 \* 6/2004 Albritton ..... G10K 1/066 340/330

D493,516 S \* 7/2004 Harbutt ..... D23/366

D510,432 S 10/2005 Bargiel

D510,996 S \* 10/2005 Vladika ..... D23/385

D512,503 S \* 12/2005 Roland ..... D23/370

D514,221 S 1/2006 Vladika

D530,808 S \* 10/2006 Sinur ..... D23/385

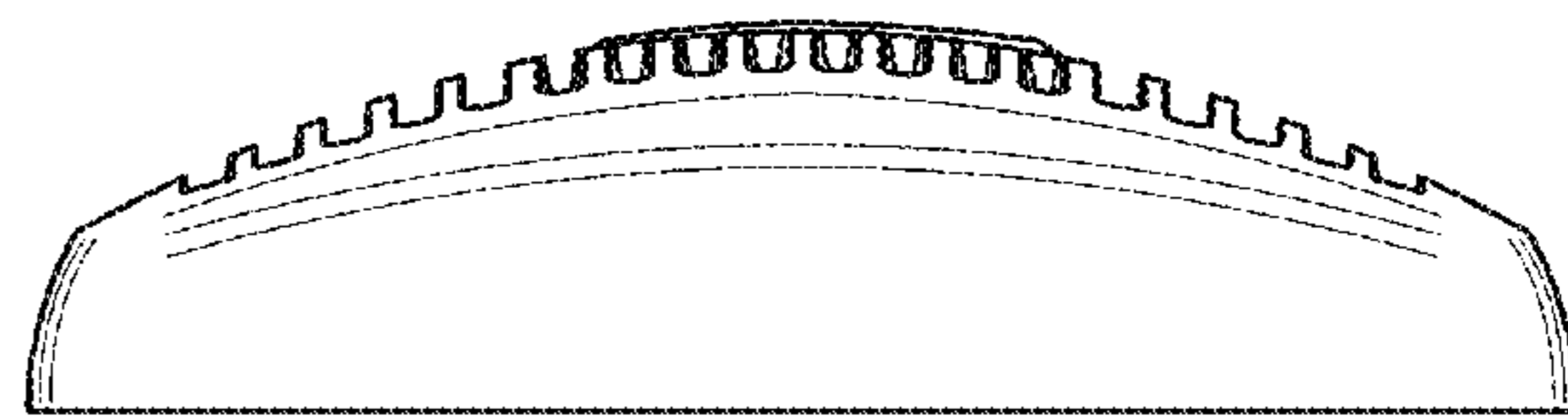
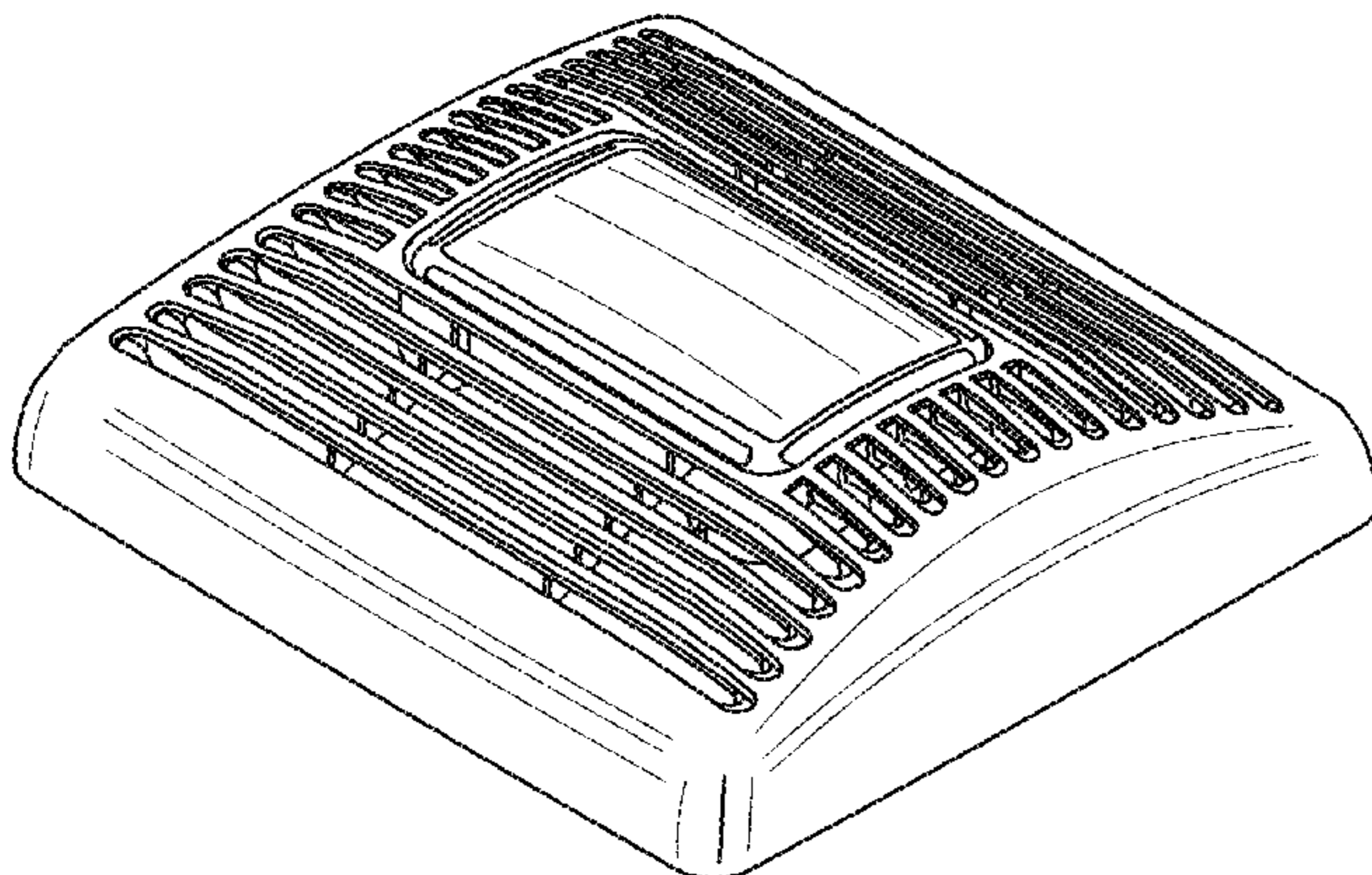
D531,301 S \* 10/2006 Sinur ..... D23/385

(56) **References Cited**

**U.S. PATENT DOCUMENTS**

2,220,127 A \* 11/1940 Slayter ..... B01D 46/00 210/495

2,576,860 A 11/1951 Eli





# US D778,424 S

Page 2

D533,956 S \* 12/2006 Vladika ..... D26/118  
D535,431 S \* 1/2007 Roland ..... D26/118  
D535,433 S \* 1/2007 Crow ..... D26/119  
D539,404 S 3/2007 Nagahori  
D539,887 S 4/2007 Kato  
D539,888 S 4/2007 Tsuji  
D541,689 S 5/2007 Meyers et al.  
D541,927 S 5/2007 Yamanaka et al.  
D543,270 S \* 5/2007 Miura ..... D23/385  
D545,487 S 6/2007 Bynum et al.  
D565,716 S \* 4/2008 Jacak ..... D23/371  
D565,717 S \* 4/2008 Jacak ..... D23/371  
D566,257 S \* 4/2008 Deng ..... D23/371  
D566,262 S \* 4/2008 Zakula ..... D23/388  
D567,352 S \* 4/2008 Hollingsworth ..... D23/388  
D567,353 S \* 4/2008 Hollingsworth ..... D23/388  
D567,354 S 4/2008 Jacak et al.  
D567,355 S \* 4/2008 Zakula ..... D23/388  
D567,932 S \* 4/2008 Hollingsworth ..... D23/388  
D567,933 S \* 4/2008 Hollingsworth ..... D23/388  
D568,460 S 5/2008 Jacak et al.  
D569,492 S \* 5/2008 Zakula ..... D23/388  
D570,465 S \* 6/2008 Miyake ..... D23/371  
D571,453 S \* 6/2008 Hsu ..... D23/412  
D574,478 S \* 8/2008 Miyake ..... D23/371  
D575,386 S \* 8/2008 Jacak ..... D23/371  
D575,387 S \* 8/2008 Zakula ..... D23/371  
D577,805 S \* 9/2008 Adrian ..... D23/371  
D581,508 S \* 11/2008 Miyake ..... D23/371  
D581,517 S \* 11/2008 Koury ..... D23/412  
D589,605 S \* 3/2009 Reedy ..... D23/388  
D602,146 S \* 10/2009 Olesen ..... D23/386  
7,596,960 B2 10/2009 Bae  
D618,782 S \* 6/2010 Zakula ..... D23/385  
D621,491 S \* 8/2010 Tsuji ..... D23/351  
D622,033 S \* 8/2010 Lambertz ..... D2/828  
7,850,513 B1 12/2010 Parker et al.  
D631,144 S \* 1/2011 Tsuji ..... D23/351  
D632,380 S 2/2011 Kim et al.  
D653,323 S \* 1/2012 Jacak ..... D23/371  
D654,998 S \* 2/2012 Zakula ..... D23/371  
D655,403 S \* 3/2012 Zakula ..... D23/388  
D655,804 S \* 3/2012 Platt ..... D23/365  
D657,036 S 4/2012 Vetu et al.  
D657,858 S \* 4/2012 Platt ..... D23/365  
D665,225 S \* 8/2012 Zakula ..... D7/409  
8,256,241 B2 9/2012 Ikeda et al.  
D678,010 S 3/2013 Sudmalis  
D678,497 S \* 3/2013 Tom ..... D23/328  
D678,995 S \* 3/2013 Hoshino ..... D23/388  
D681,794 S \* 5/2013 Lin ..... D23/371  
D682,455 S \* 5/2013 Apetauer ..... D26/74  
D690,869 S \* 10/2013 Katz ..... D26/74  
D701,952 S \* 4/2014 Hoshino ..... D23/388  
D702,827 S \* 4/2014 Mase ..... D23/370  
D705,409 S 5/2014 Hagiwara  
D705,417 S \* 5/2014 Lin ..... D23/371  
D706,404 S 6/2014 Tsuji  
D706,916 S \* 6/2014 Penlesky ..... D23/370  
D709,170 S \* 7/2014 Tsuji ..... D23/351  
D710,000 S 7/2014 Moreno  
D713,952 S \* 9/2014 Jepson ..... D23/388  
D713,953 S \* 9/2014 Jepson ..... D23/388  
8,864,447 B1 10/2014 Humphrey  
D716,772 S \* 11/2014 Cavero ..... D14/225  
D718,086 S \* 11/2014 Lewis ..... D7/391  
D720,442 S \* 12/2014 Kosuge ..... D23/351  
D725,624 S \* 3/2015 Carney ..... D14/140  
D728,772 S \* 5/2015 Santeler ..... D23/386  
9,022,846 B1 \* 5/2015 Tom ..... F24F 7/007  
454/338  
9,028,212 B1 \* 5/2015 Tom ..... F04D 1/04  
416/5  
D733,861 S \* 7/2015 Haaf ..... D23/370  
D733,863 S \* 7/2015 Funnell, II ..... D23/372  
9,103,104 B1 \* 8/2015 Tom ..... E03D 9/052  
D738,482 S \* 9/2015 Lin ..... D23/388  
D739,928 S \* 9/2015 Raisanen ..... D23/354  
D741,463 S \* 10/2015 Hauville ..... D23/355

D742,494 S \* 11/2015 Kouketsu ..... D23/360  
D743,520 S 11/2015 Sinur et al.  
9,182,138 B2 11/2015 Foreman et al.  
9,188,132 B1 11/2015 Tom  
D744,628 S \* 12/2015 Alexander ..... D23/370  
D745,652 S \* 12/2015 Berkman ..... D23/411  
D746,424 S \* 12/2015 Takahashi ..... D13/123  
9,212,668 B2 12/2015 Deng et al.  
D747,141 S 1/2016 Wahl  
D747,576 S \* 1/2016 Fjellman ..... D32/30  
D751,189 S \* 3/2016 Suzuki ..... D24/116  
D751,247 S \* 3/2016 Reynolds ..... D26/118  
D752,201 S \* 3/2016 Herbst ..... D23/370  
D753,869 S 4/2016 Prijic  
D754,319 S 4/2016 Park et al.  
9,303,859 B2 \* 4/2016 Horng ..... F24F 13/078  
9,303,888 B2 \* 4/2016 Karst ..... F24F 7/04  
D755,942 S \* 5/2016 Kim ..... D23/364  
2005/0111840 A1 \* 5/2005 Crow ..... F24H 3/0411  
392/350  
2009/0130970 A1 \* 5/2009 Jacak ..... F24F 7/007  
454/354  
2009/0170421 A1 \* 7/2009 Adrian ..... F24F 7/06  
454/349  
2009/0280737 A1 \* 11/2009 Jacak ..... F24F 11/043  
454/358  
2014/0063796 A1 3/2014 Zakula et al.  
2015/0125292 A1 \* 5/2015 Karst ..... F04D 25/166  
415/213.1  
2015/0140923 A1 5/2015 Penlesky et al.  
2015/0219118 A1 8/2015 Zakula et al.  
2016/0069561 A1 \* 3/2016 Jonas ..... F21V 29/83  
362/96

## FOREIGN PATENT DOCUMENTS

CA	163015 S	5/2016
CA	163016 S	5/2016
CA	163017 S	5/2016
CA	163018 S	5/2016
CN	303580220 S	2/2016
CN	303580221 S	2/2016
CN	303580222 S	2/2016
CN	303580223 S	2/2016
CN	303580224 S	2/2016

## OTHER PUBLICATIONS

Ultra Green series, image post date Apr. 16 2014, site visited May 14, 2016, (online), <<http://web.archive.org/web/20140416053348/http://www.broan.com/products/filter/ultra-green-series-fanslights-ca0b225b-9fdb-406c-abf1-ed72241eb706>>.\*  
Airvent 435103 Kitchen Extractor Fan, image post date May 14, 2014, site visited May 14, 2016, (online), <[https://www.amazon.co.uk/Airvent-435103-Kitchen-Extractor-150mm/dp/B0085TQ75U/ref=pd\\_cp\\_107\\_3?ie=UTF8&refRID=1XMRP1Q1QR5H6NZ1MR7C](https://www.amazon.co.uk/Airvent-435103-Kitchen-Extractor-150mm/dp/B0085TQ75U/ref=pd_cp_107_3?ie=UTF8&refRID=1XMRP1Q1QR5H6NZ1MR7C)>.\*  
Manrose FF100P Bathroom Fan, image post date Dec. 12, 2014, site visited May 14, 2016, (online), <<https://www.tineye.com/search/63988ff8b950dad9cb1aaec51119050bdd00cf21/?pluginver=>>\*  
Air Vent Grille Cover, image post date Nov. 9, 2014, site visited May 14, 2016, (online), <<https://www.tineye.com/search.232b8f674998285163e7a3de47a03ed0ef9b1dc6/>>.\*  
GDL Air Distribution Grilles, image post date Nov. 23, 2014, site visited May 14, 2016, (online), <<https://www.tineye.com/search/d0efdc23f3887a1bdc58adaa3fef15c33f2b486b/>>.\*  
Finnleo Steam Sauna Ventilation Wood grill, image post date Jun. 6, 2012, site visited May 14, 2016, (online), <<https://www.tineye.com/search/8ff8db465e46f58bcad482160583cb539dc23fa4/>>.\*  
“U.S. Appl. No. 29/514,061, Non Final Office Action mailed May 19, 2016”, 19 pgs.  
“U.S. Appl. No. 29/514,061, Response filed Aug. 17, 2016 to Non Final Office Action mailed May 19, 2016”, 6 pgs.  
“U.S. Appl. No. 29/514,063, Non Final Office Action mailed May 19, 2016”, 22 pgs.

“U.S. Appl. No. 29/514,063, Response filed Aug. 17, 2016 to Non Final Office Action mailed May 19, 2016”, 8 pgs.  
“U.S. Appl. No. 29/514,070, Non Final Office Action mailed May 27, 2016”, 26 pgs.  
“Canadian Application Serial No. 163,015, Office Action mailed Nov. 10, 2015”, 5 pgs.  
“Canadian Application Serial. No. 163,015, Response filed Mar. 10, 2016 to Office Action mailed Nov. 10, 2015”, 7 pgs.  
“Canadian Application Serial No. 163,016, Office Action mailed Nov. 10, 2015”, 3 pgs.  
“Canadian Application Serial No. 163,016, Response filed Mar. 10, 2016 to Office Action mailed Nov. 10, 2015”, 7 pgs.  
“Canadian Application Serial No. 163,017, Office Action mailed Nov. 9, 2015”, 3 pgs.  
“Canadian Application Serial No. 163,017, Response filed Mar. 9, 2016 to Office Action mailed Nov. 9, 2015”, 8 pgs  
“Canadian Application Serial No. 163,018, Office Action mailed Nov. 9, 2015”, 2 pgs.  
“Canadian Application Serial No. 163,018, Response filed Mar. 9, 2016 to Office Action mailed Nov. 9, 2015”, 7 pgs.  
“Canadian Application Serial No. 163,019, Office Action mailed Nov. 9, 2015”, 2 pgs.  
“Canadian Application Serial No. 163,019, Response filed Mar. 9, 2016 to Office Action mailed Nov. 9, 2015”, 7 pgs.  
“U.S. Appl. No. 29/514,061, Response filed Nov. 21, 2016 Final Office Action mailed Sep. 19, 2016”, 16 pgs.

\* cited by examiner

*Primary Examiner* — Kevin Rudzinski

*Assistant Examiner* — Sean D Lough

(74) *Attorney, Agent, or Firm* — Schwegman Lundberg & Woessner, P.A.

(57)

**CLAIM**

The ornamental design for a ventilator grill, as shown and described.

**DESCRIPTION**

FIG. 1 is a perspective view of the first embodiment of the grill.

FIG. 2 is a front view thereof. The back view being a mirror image of this view.

FIG. 3 is a side view thereof. The other side being a mirror image of this side view.

FIG. 4 is a top view thereof.

FIG. 5 is a bottom view thereof.

FIG. 6 is a perspective view of the second embodiment thereof.

FIG. 7 is a front view thereof. The back view being a mirror image of this view.

FIG. 8 is a side view thereof. The other side being a mirror image of this side view.

FIG. 9 is a top view thereof.

FIG. 10 is a bottom view thereof; and,

FIG. 11 is a cross-section view of the first embodiment taken along lines 11-11 of FIG. 4.

The features shown in broken lines depict environmental subject matter only and form no part of the claimed design.

**1 Claim, 11 Drawing Sheets**



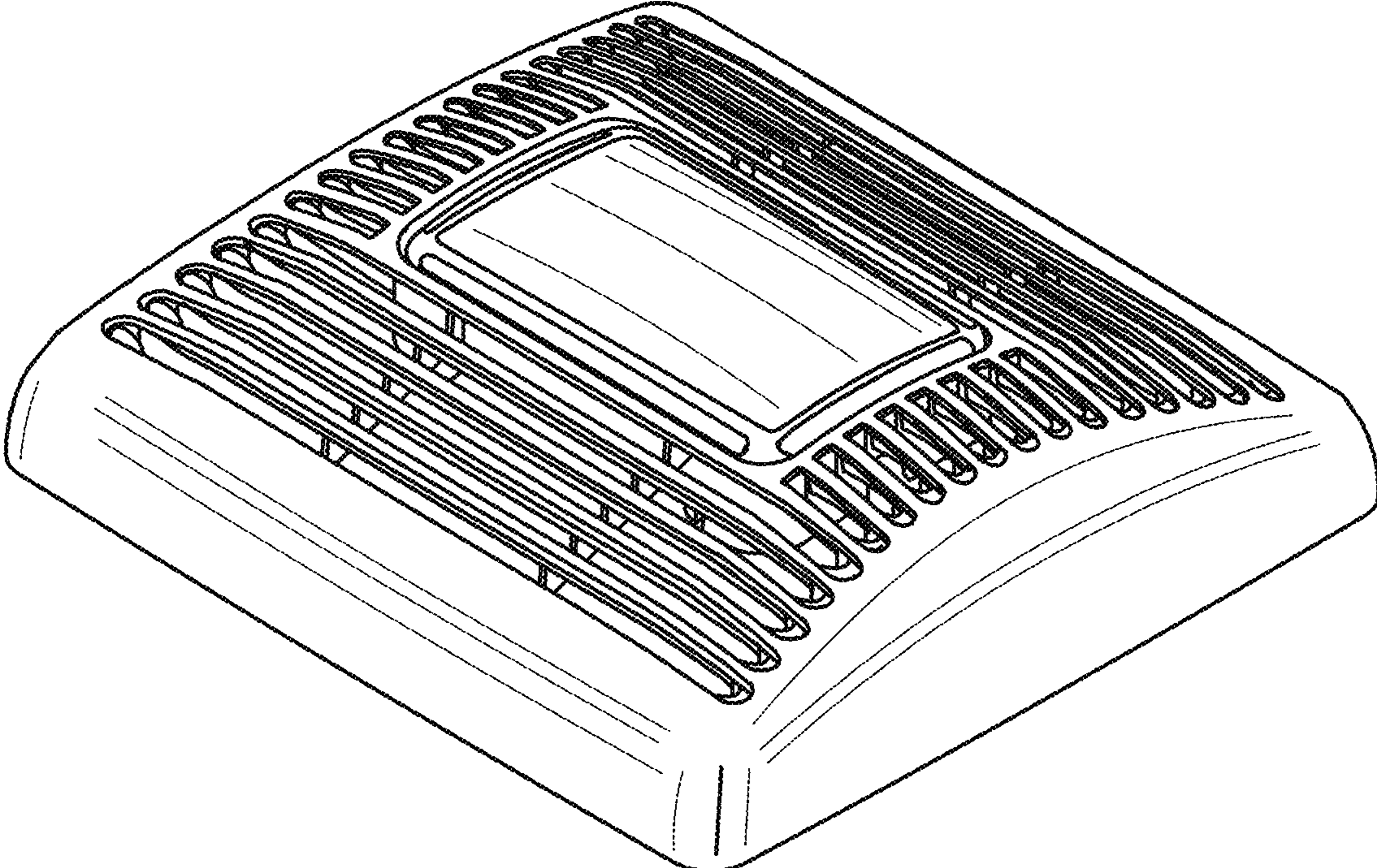


FIG. 1

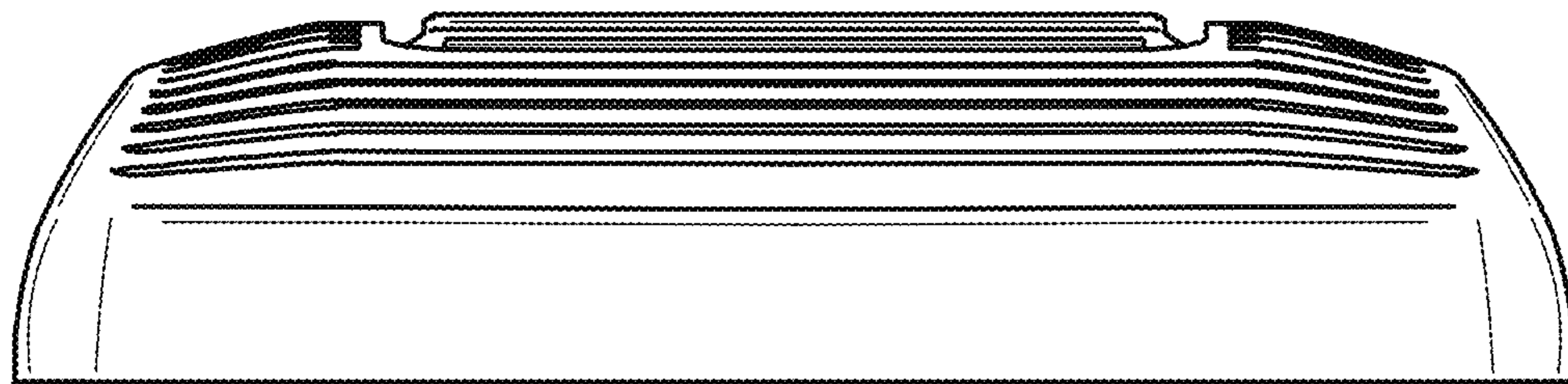
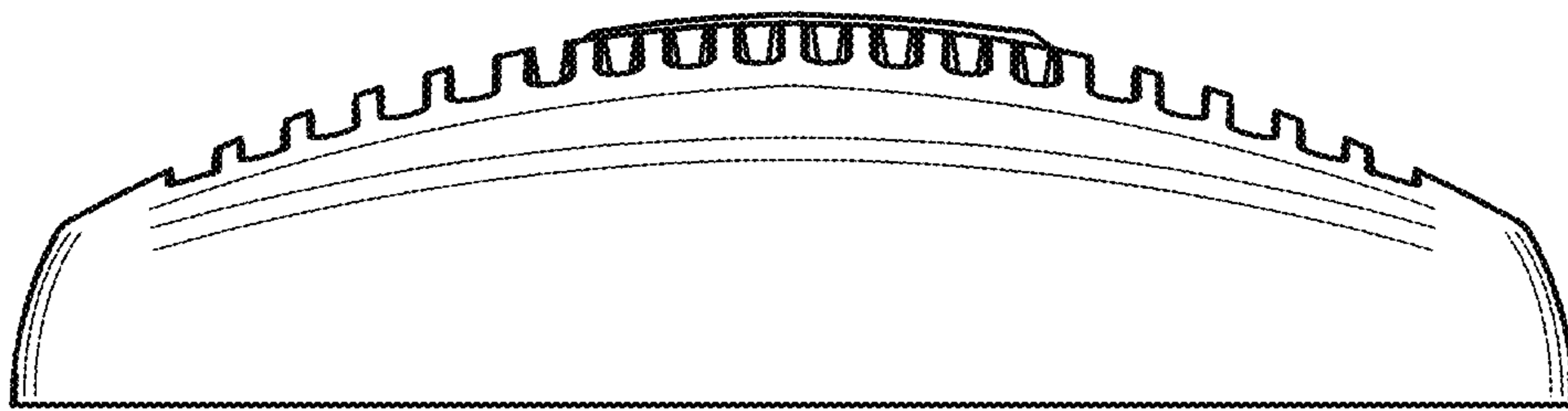


FIG. 2



**FIG. 3**

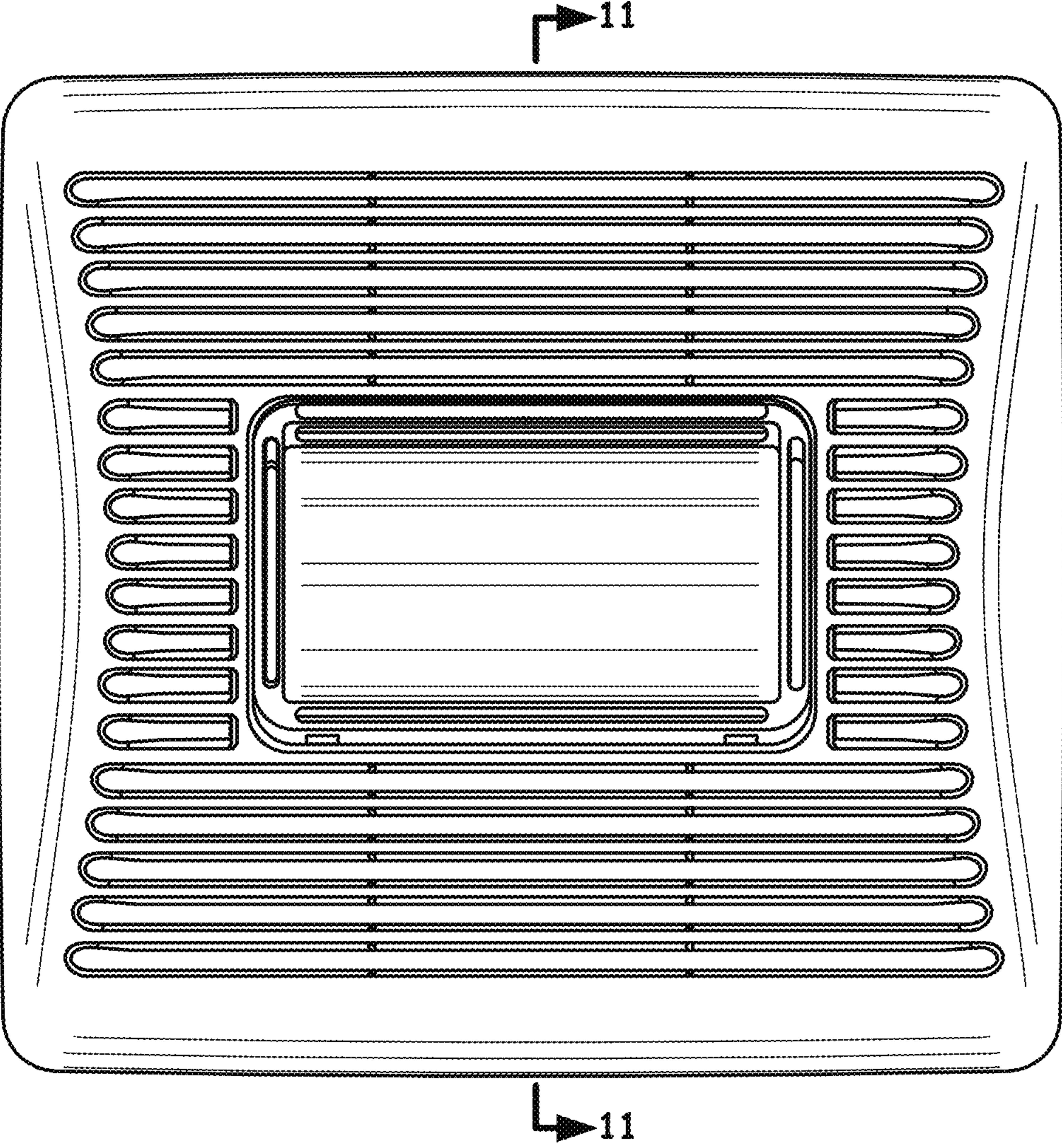


FIG. 4



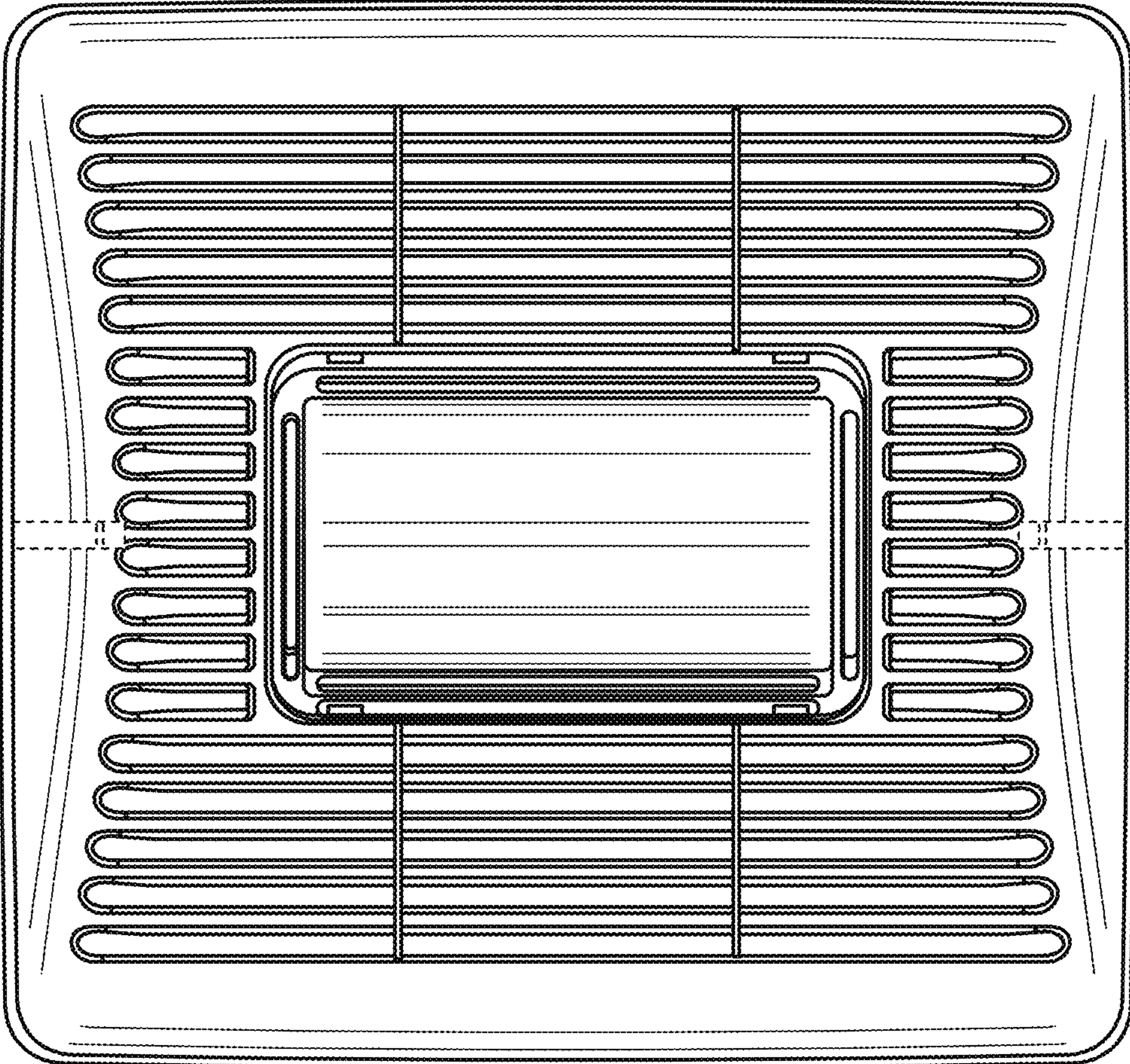


FIG. 5



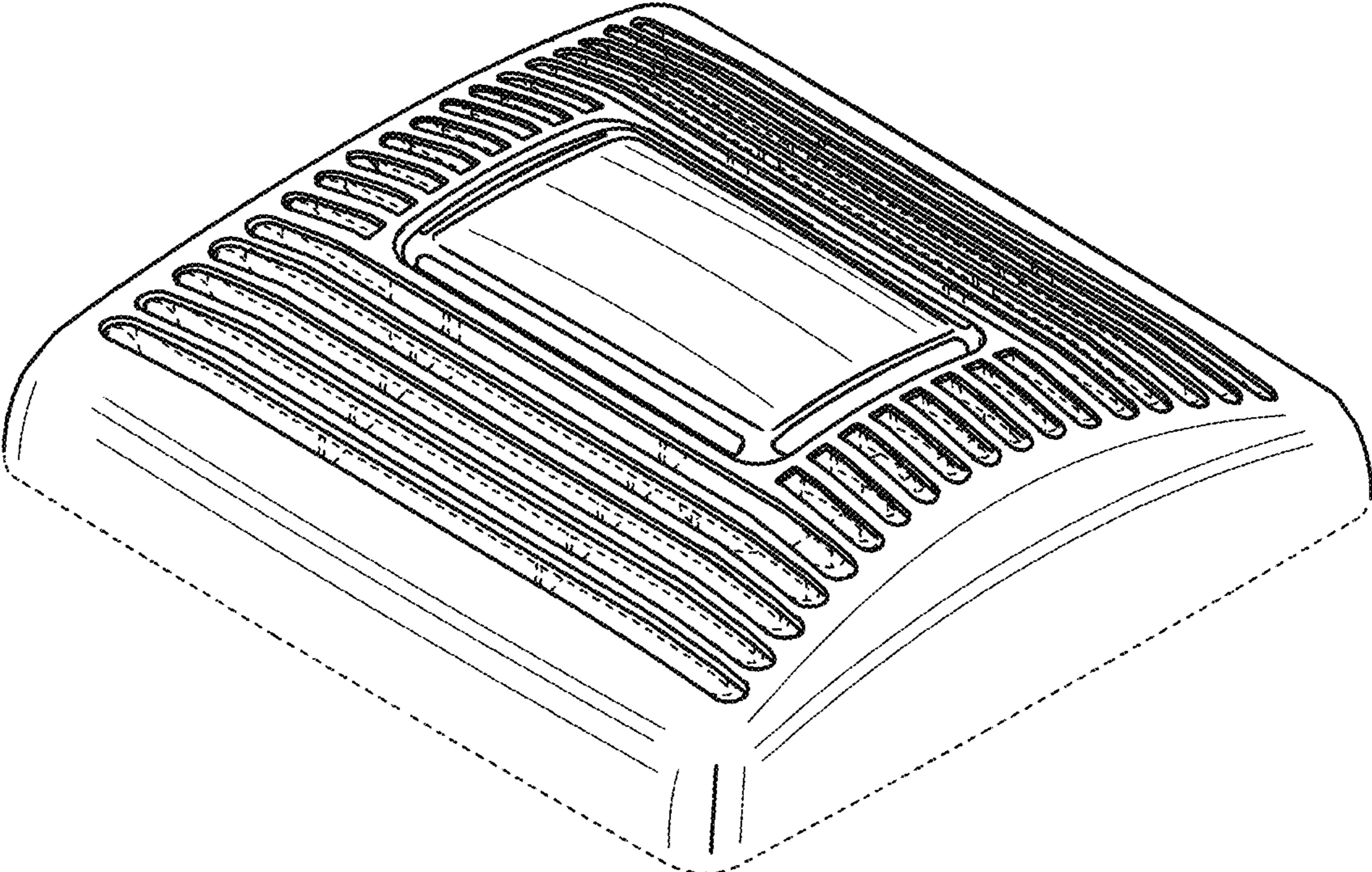
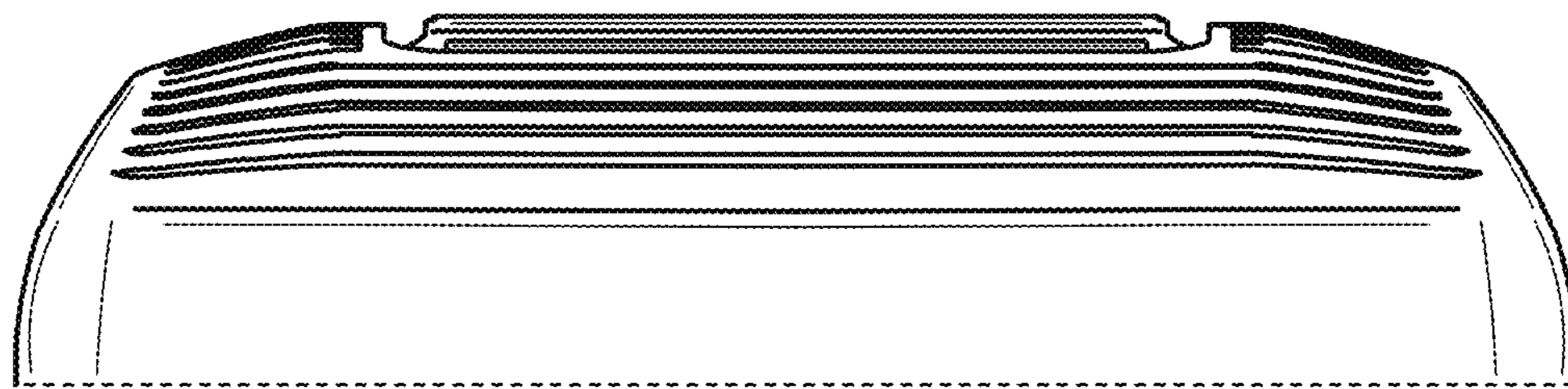
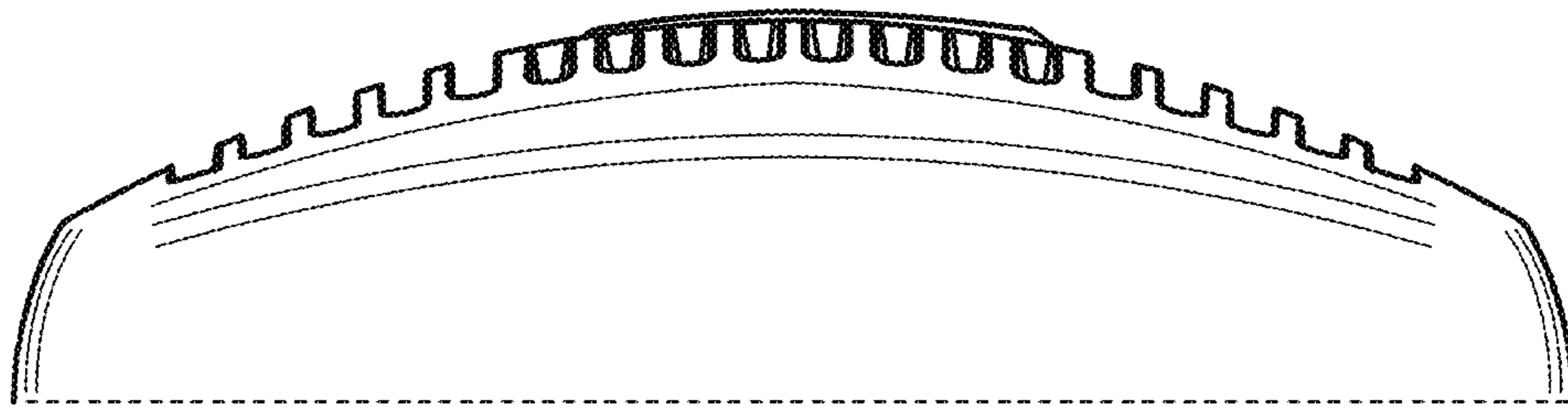


FIG. 6



**FIG. 7**



**FIG. 8**



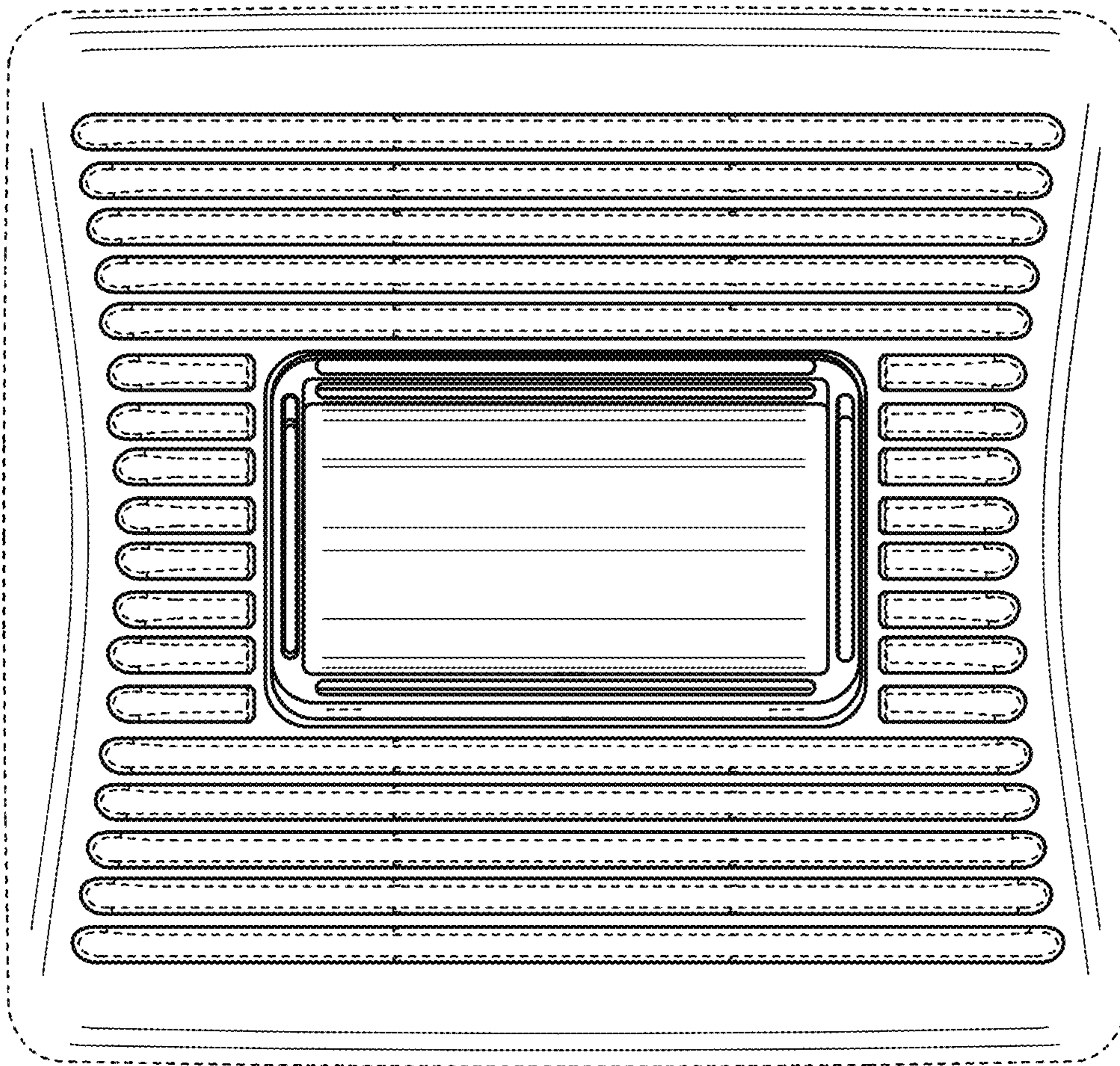


FIG. 9

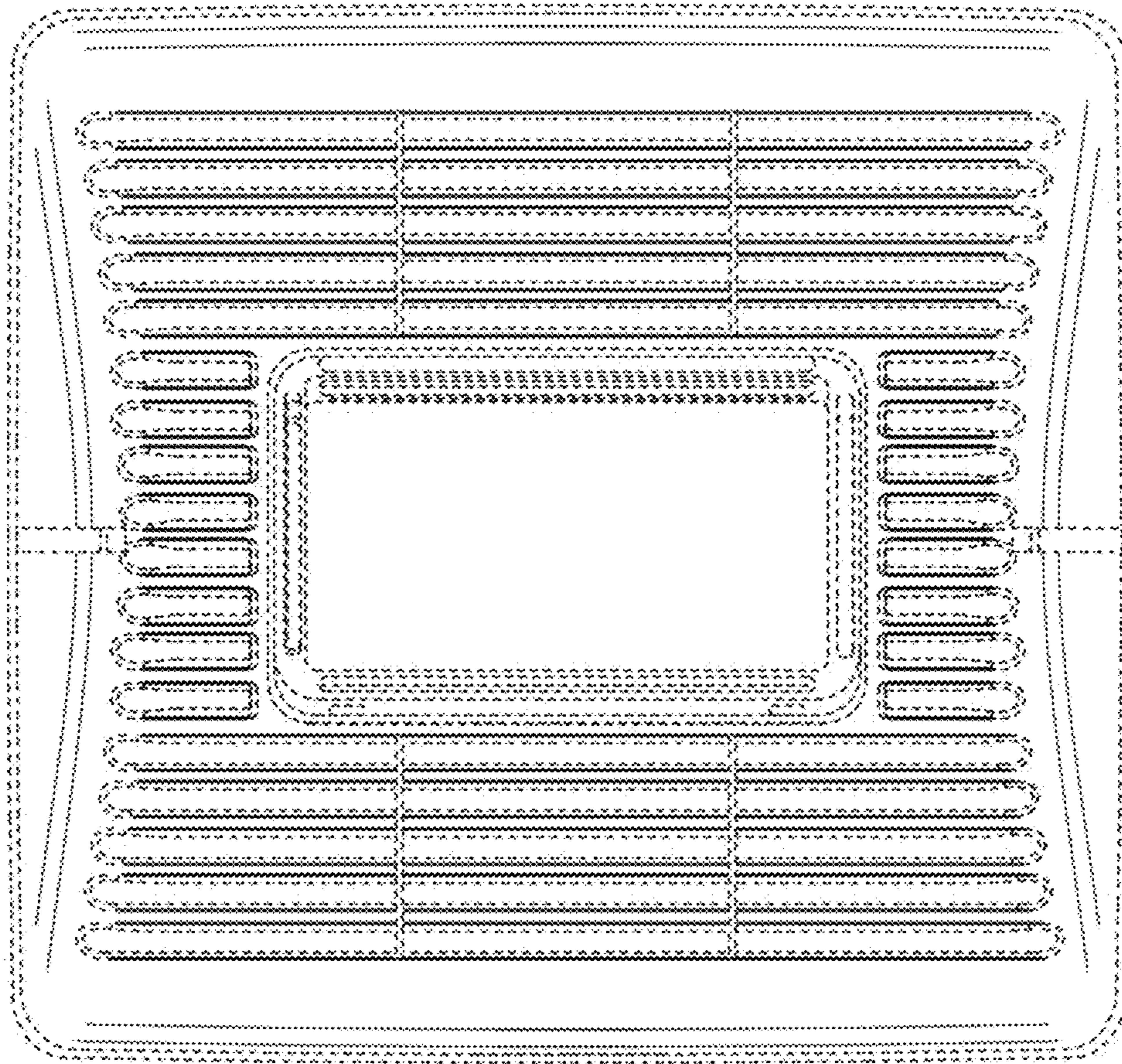


FIG. 10

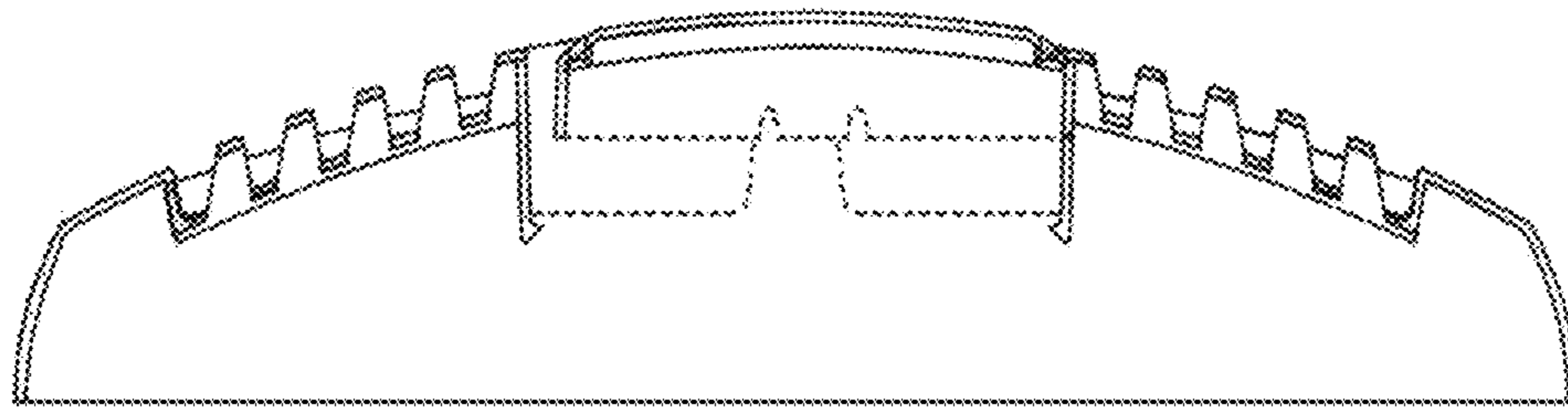


FIG. 11