



US00D778422S

(12) **United States Design Patent**
Gajewski

(10) **Patent No.:** **US D778,422 S**

(45) **Date of Patent:** **** Feb. 7, 2017**

(54) **COMBINATION CEILING FAN AND LIGHT FIXTURE**

(71) Applicant: **Minka Lighting, Inc.**, Corona, CA (US)

(72) Inventor: **Mark Gajewski**, Avila Beach, CA (US)

(73) Assignee: **Minka Lighting, Inc.**, Corona, CA (US)

(**) Term: **15 Years**

(21) Appl. No.: **29/553,157**

(22) Filed: **Jan. 28, 2016**

Related U.S. Application Data

(63) Continuation-in-part of application No. 29/511,472, filed on Dec. 10, 2014, now abandoned.

(51) **LOC (10) Cl.** **23-04**

(52) **U.S. Cl.**
USPC **D23/377; D26/59**

(58) **Field of Classification Search**
USPC D23/377, 379, 385, 387, 411-414, 499; 416/1, 5, 170 R, 214 R, 184, 206, 207, 416/210 R, 220 R, 244 R, 248; 392/364; D26/59, D26/51, 72, 73, 80-86, 88, 90
CPC F04D 25/088; F04D 29/005; F04D 29/601; F04D 29/322; F04D 29/324; F04D 29/34; F21V 33/0096
See application file for complete search history.

(56) **References Cited**

U.S. PATENT DOCUMENTS

D90,063 S 6/1933 Dasher
D295,555 S * 5/1988 Greenberg D23/377
D298,454 S 11/1988 Clyde-Mason

D318,725 S * 7/1991 Jaeger D23/377
D345,790 S 4/1994 Caldwell
D408,515 S * 4/1999 Evans D23/377
5,951,253 A 9/1999 Gajewski
D421,113 S 2/2000 Zuege
6,171,060 B1 1/2001 Gajewski
D583,923 S 12/2008 Bucher et al.
D596,733 S 7/2009 Kihara
D628,688 S 12/2010 Pan
D707,336 S 6/2014 Pan
D747,452 S 1/2016 Gajewski

* cited by examiner

Primary Examiner — Susan Bennett Hattan

Assistant Examiner — Marie Fast Horse

(74) *Attorney, Agent, or Firm* — Baker & McKenzie LLP

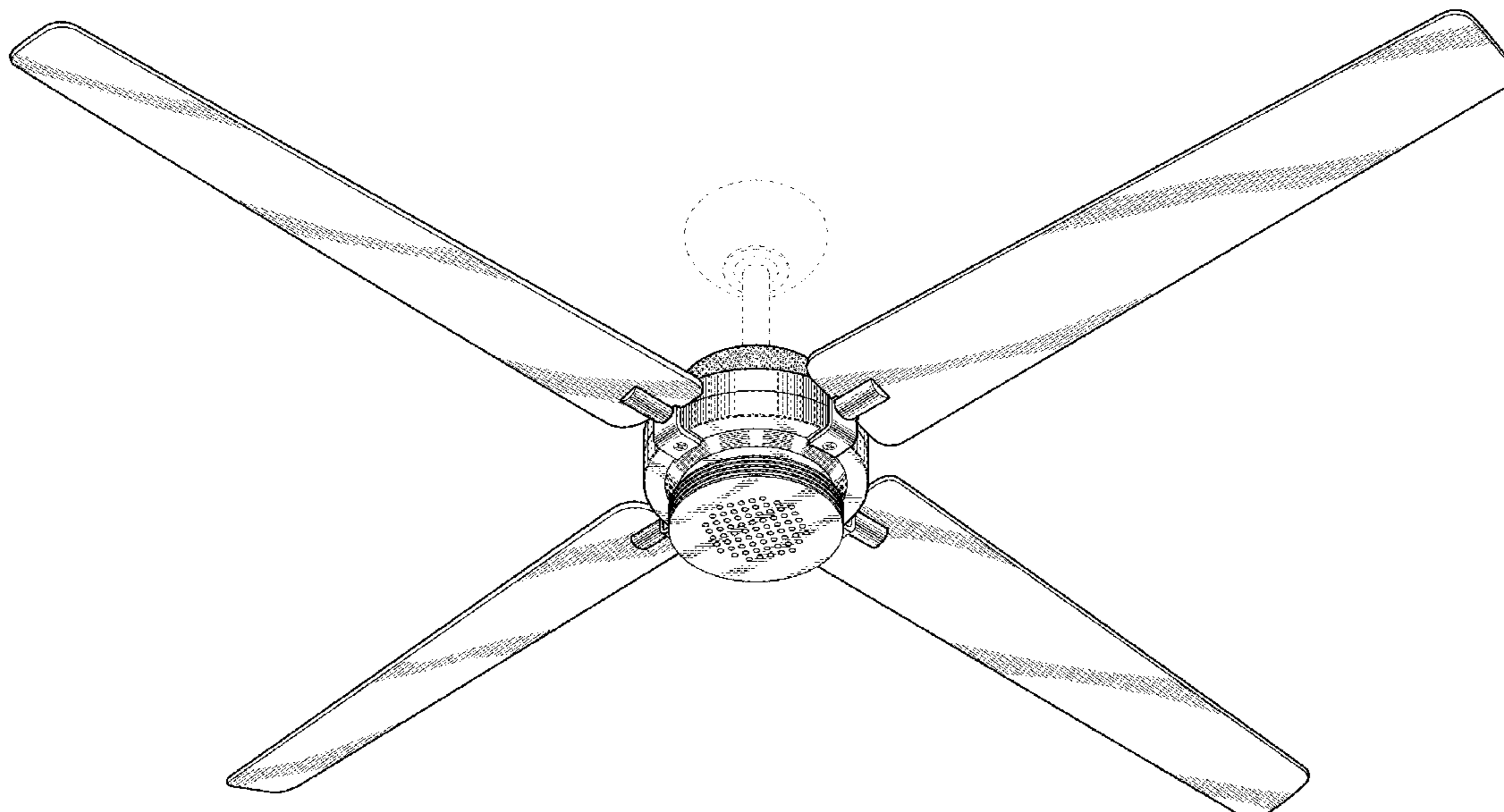
(57) **CLAIM**

The ornamental design for a combination ceiling fan and light fixture, as shown and described.

DESCRIPTION

FIG. 1 is a perspective view of a combination ceiling fan and light fixture in accordance with my design;
FIG. 2 is a top plan view of the combination ceiling fan and light fixture in accordance with my design;
FIG. 3 is a bottom plan view of the combination ceiling fan and light fixture in accordance with my design;
FIG. 4 is a front elevation view of the combination ceiling fan and light fixture in accordance with my design, the rear view being identical thereto; and,
FIG. 5 is a left side elevation view of the combination ceiling fan and light fixture in accordance with my design, the opposite side view being identical thereto.
The broken-line disclosure of elements is understood to represent portions of the article in which the design is embodied, but which form no part of the claimed design.

1 Claim, 4 Drawing Sheets



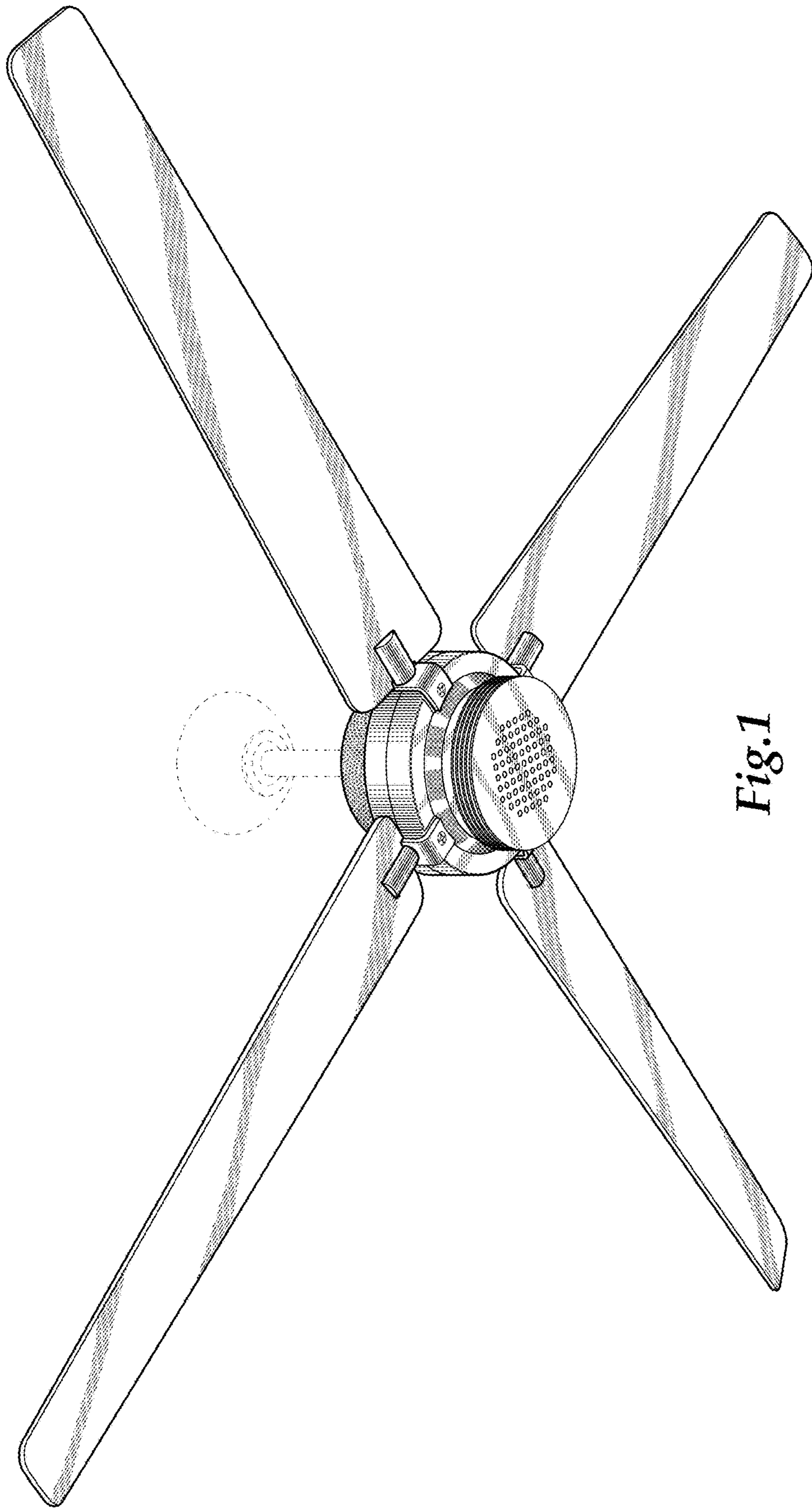


Fig. 1

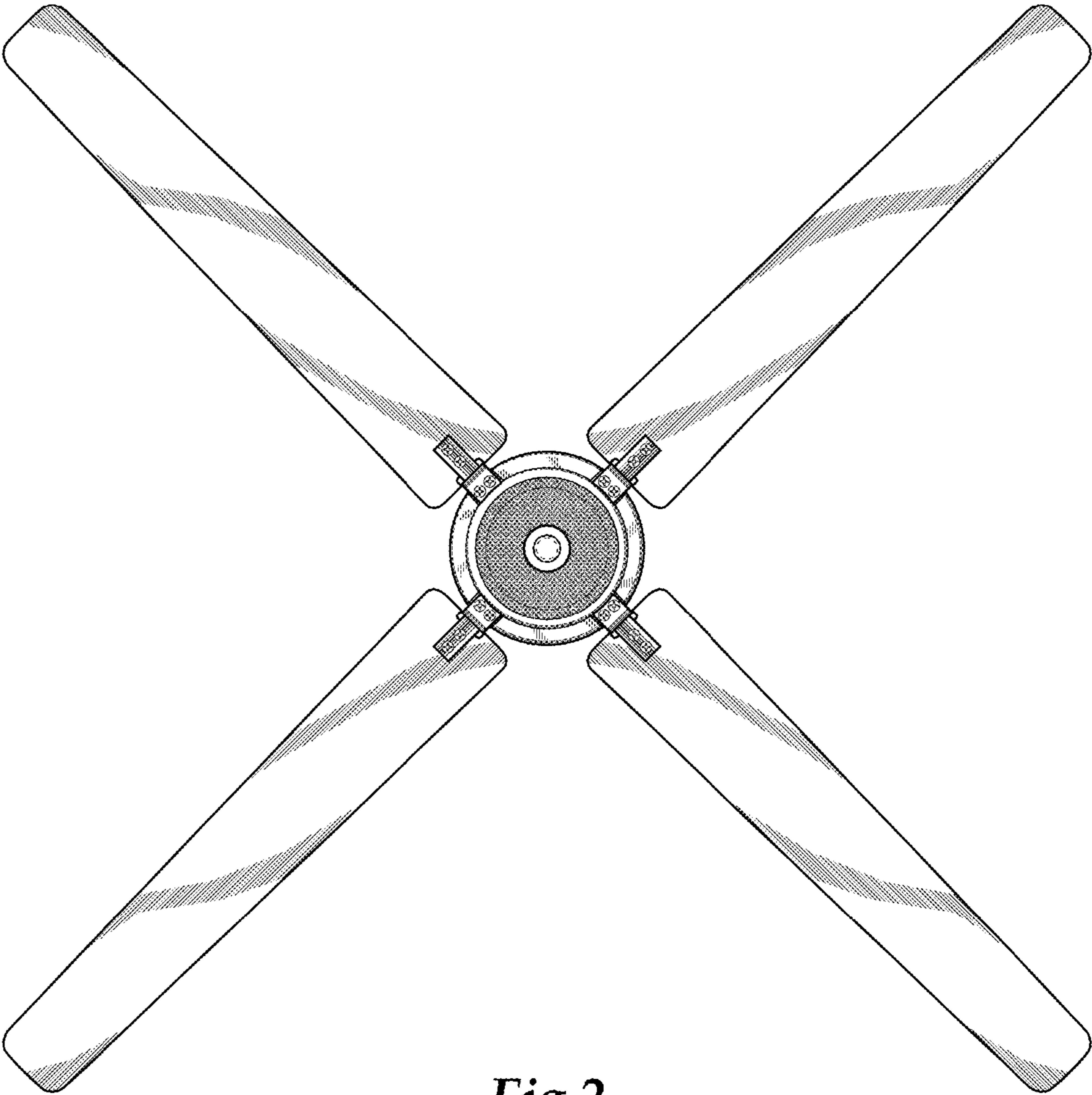


Fig.2

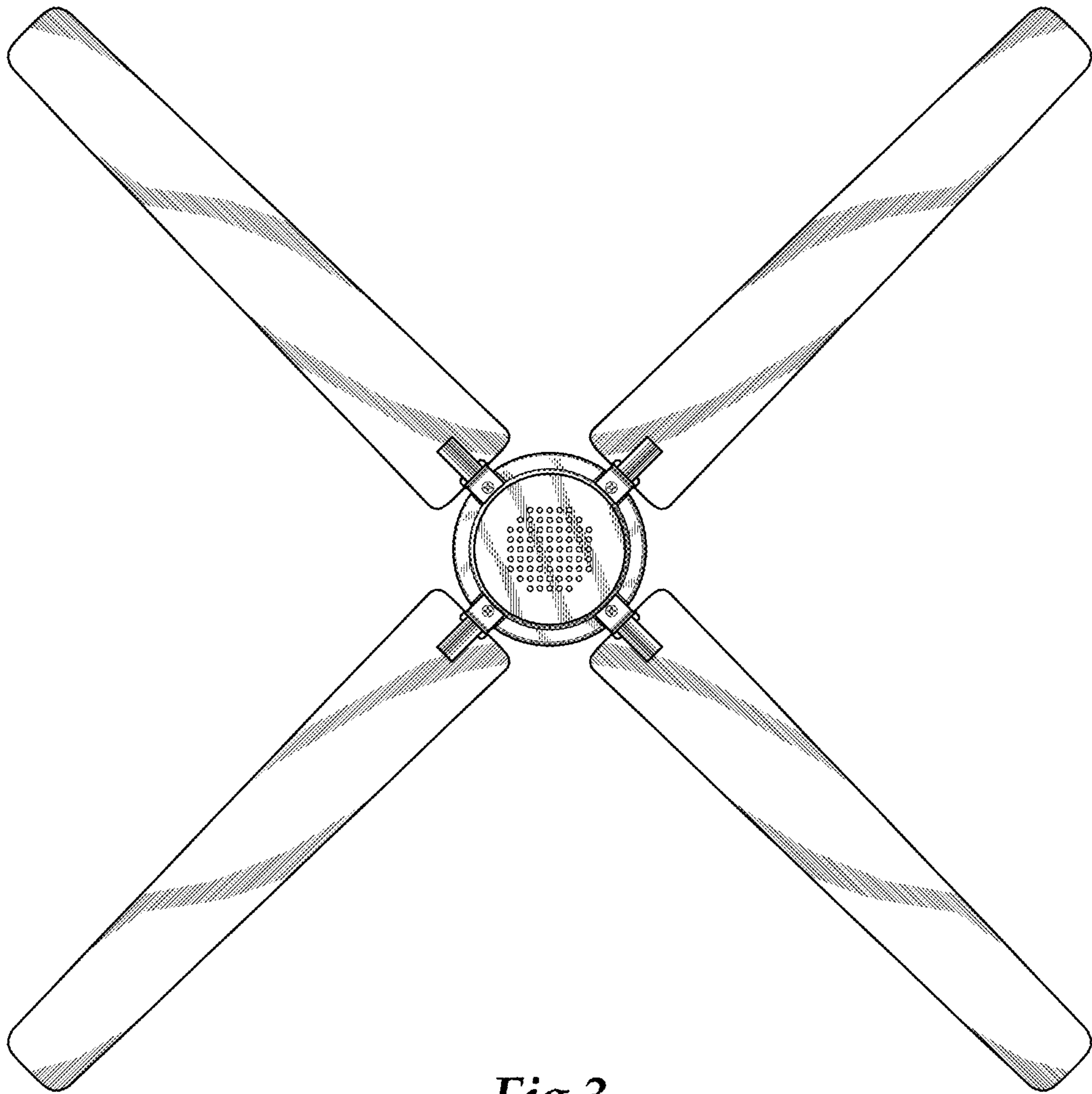


Fig.3

