



US00D778421S

(12) **United States Design Patent**
Hidalgo

(10) **Patent No.:** **US D778,421 S**

(45) **Date of Patent:** **** Feb. 7, 2017**

(54) **COMBINATION CEILING FAN AND LIGHT
FIXTURE**

D285,720 S * 9/1986 Markwardt 416/5
4,796,166 A 1/1989 Greenberg
D315,947 S 4/1991 Hollbrook

(Continued)

(71) Applicant: **Minka Lighting, Inc.**, Corona, CA
(US)

(72) Inventor: **Rolando Hidalgo**, Yorba Linda, CA
(US)

(73) Assignee: **Minka Lighting, Inc.**, Corona, CA
(US)

(**) Term: **15 Years**

(21) Appl. No.: **29/549,587**

(22) Filed: **Dec. 22, 2015**

Related U.S. Application Data

(63) Continuation-in-part of application No. 29/511,469,
filed on Dec. 10, 2014, now abandoned.

(51) **LOC (10) Cl.** **23-04**

(52) **U.S. Cl.**
USPC **D23/377; D26/59**

(58) **Field of Classification Search**
USPC D23/377, 379, 385, 387, 411-414, 499;
416/1, 5, 170 R, 214 R, 184, 206, 207,
416/210 R, 220 R, 244 R, 248; 392/364;
D26/59, D26/51, 72, 73, 80-86, 88, 90
CPC F04D 25/088; F04D 29/005; F04D 29/601;
F04D 29/322; F04D 29/324; F04D 29/34;
F21V 33/0096

See application file for complete search history.

(56) **References Cited**

U.S. PATENT DOCUMENTS

D270,563 S 9/1983 Phillips
4,518,314 A * 5/1985 Schultz F04D 25/088
416/5

OTHER PUBLICATIONS

1980s Fan by Murray Feiss Model CF-1, 2 and 3.
vintageceilingfans.com [online] 15 pages Uploaded Mar. 1, 2013
[retrieved on Feb. 16, 2016]. Retrieved from Internet: <http://www.vintageceilingfans.com/murryfeissceilingfanmodelcf-1,2,3,.html>.

Primary Examiner — Susan Bennett Hattan

Assistant Examiner — Marie Fast Horse

(74) *Attorney, Agent, or Firm* — Baker & McKenzie LLP

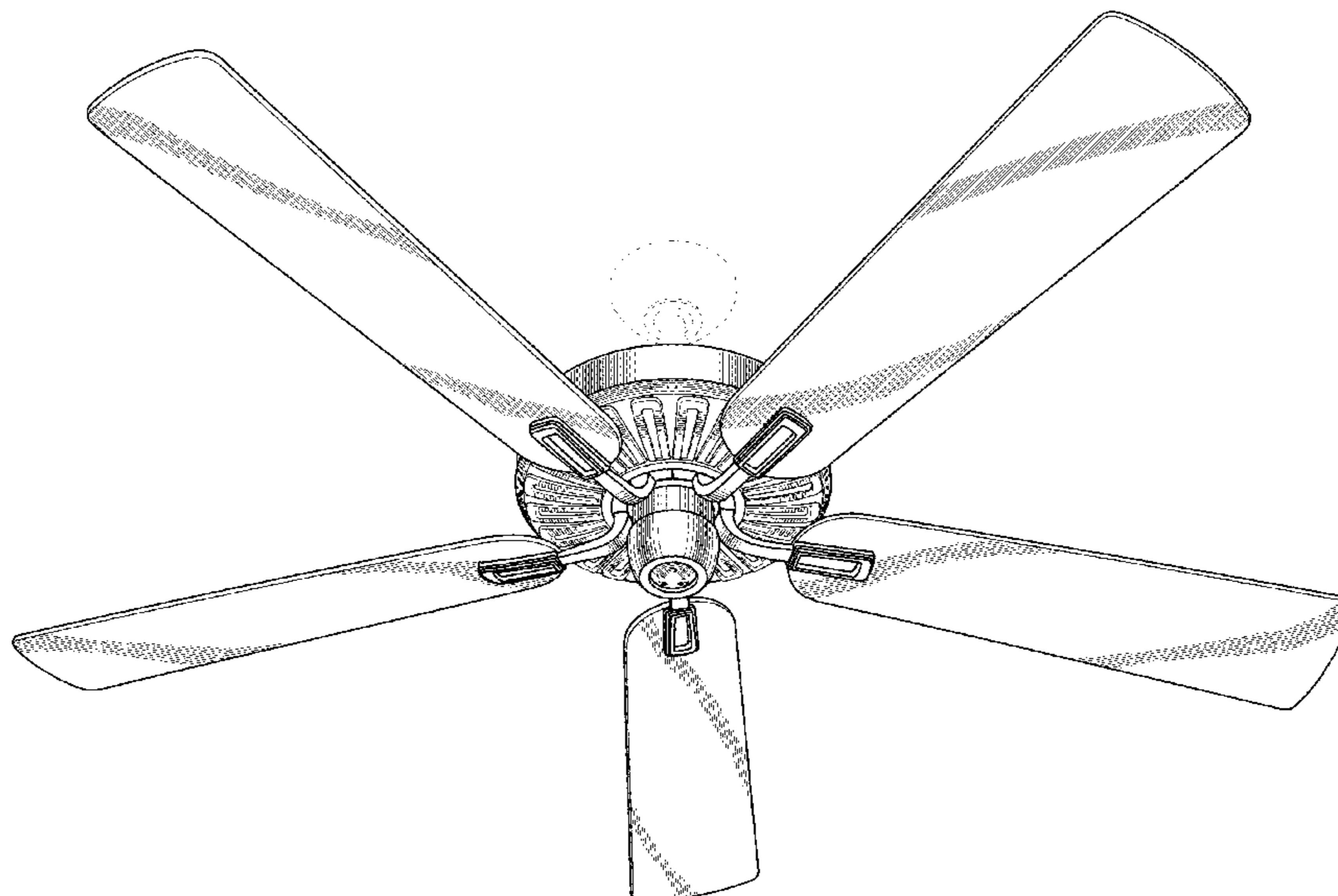
(57) **CLAIM**

The ornamental design for a combination ceiling fan and
light fixture, as shown and described.

DESCRIPTION

FIG. 1 is a perspective view of a combination ceiling fan and
light fixture in accordance with my design;
FIG. 2 is a top plan view of the combination ceiling fan and
light fixture in accordance with my design;
FIG. 3 is a bottom plan view of the combination ceiling fan
and light fixture in accordance with my design;
FIG. 4 is a front elevation view of the combination ceiling
fan and light fixture in accordance with my design;
FIG. 5 is a rear elevation view of the combination ceiling fan
and light fixture in accordance with my design;
FIG. 6 is a left-side elevation view of the combination
ceiling fan and light fixture in accordance with my design;
and,
FIG. 7 is a right-side elevation view of the combination
ceiling fan and light fixture in accordance with my design.
The broken-line disclosure of elements is understood to
represent portions of the article in which the design is
embodied, but which form no part of the claimed design.

1 Claim, 5 Drawing Sheets



(56)

References Cited

U.S. PATENT DOCUMENTS

5,028,206	A	7/1991	Kendregan et al.	
5,110,261	A	5/1992	Junkin	
D326,905	S	6/1992	Scofield	
D328,947	S	8/1992	Holbrook	
D329,494	S	9/1992	Holbrook	
D358,877	S	5/1995	Tsuji	
D363,345	S	10/1995	Wang	
5,462,412	A *	10/1995	Scofield	F04D 29/384 248/343
D374,925	S	10/1996	Jaspers-Fayer	
D408,517	S	4/1999	LaSpina	
D409,302	S	5/1999	Zuege	
6,036,154	A	3/2000	Pearce	
D425,191	S	5/2000	LaSpina	
D428,482	S	7/2000	Lee	
D438,946	S *	3/2001	Williams	D23/377
6,676,375	B2	1/2004	Steeves LeBlanc et al.	
D510,428	S *	10/2005	Hidalgo	D23/411
D515,197	S	2/2006	Hidalgo	
D521,623	S	5/2006	Hidalgo	
D531,297	S	10/2006	Ertze	
D573,243	S	7/2008	Pan	
D584,396	S	1/2009	Bucher et al.	
D600,339	S *	9/2009	Searle	D23/377
D762,836	S *	8/2016	Schulzman	D23/377
2009/0246028	A1	10/2009	Richardson	
2011/0058947	A1 *	3/2011	Haynes	F04D 25/088 416/210 R
2015/0090858	A1	4/2015	Broughman et al.	
2015/0240824	A1	8/2015	Jones et al.	

* cited by examiner

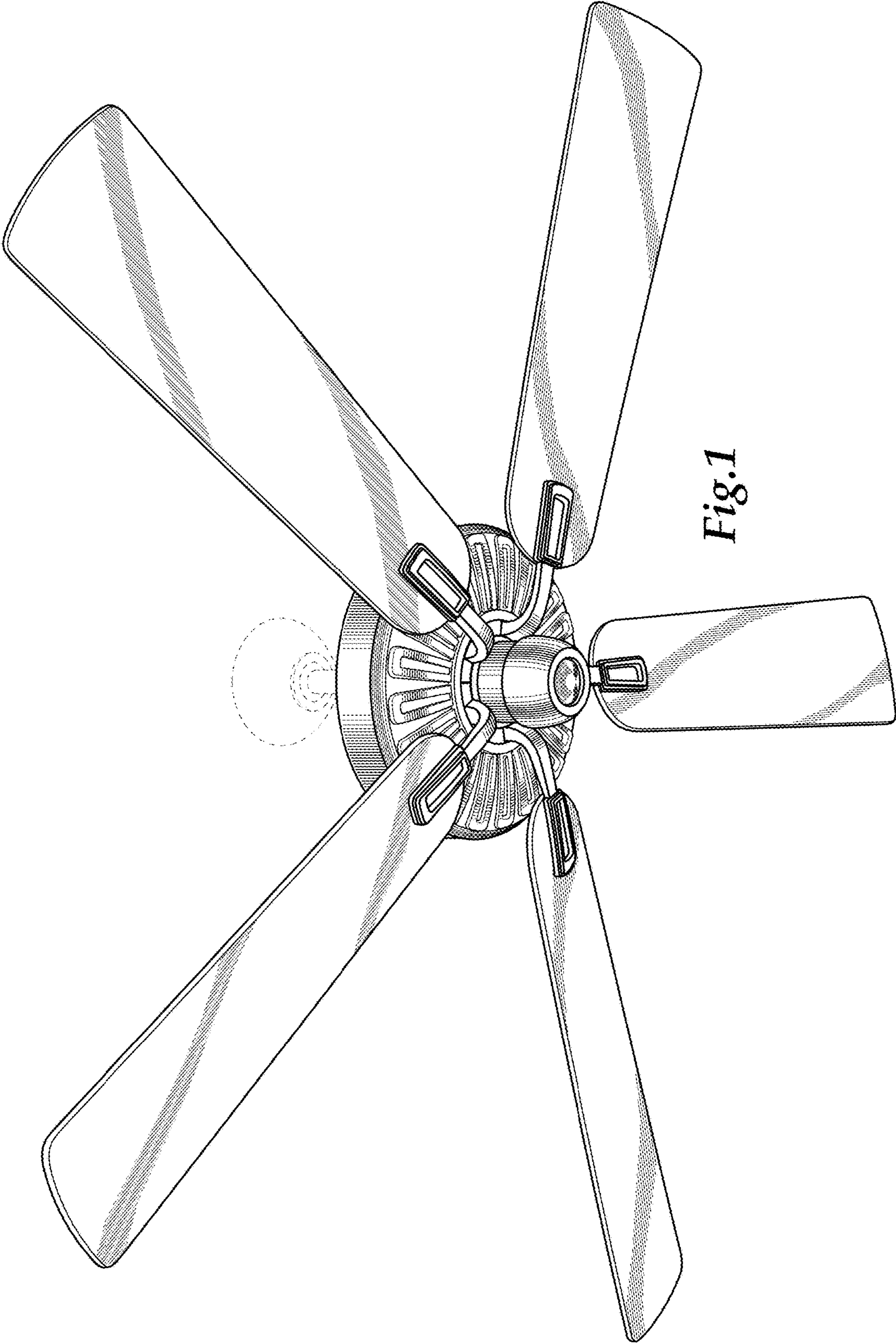


Fig. 1

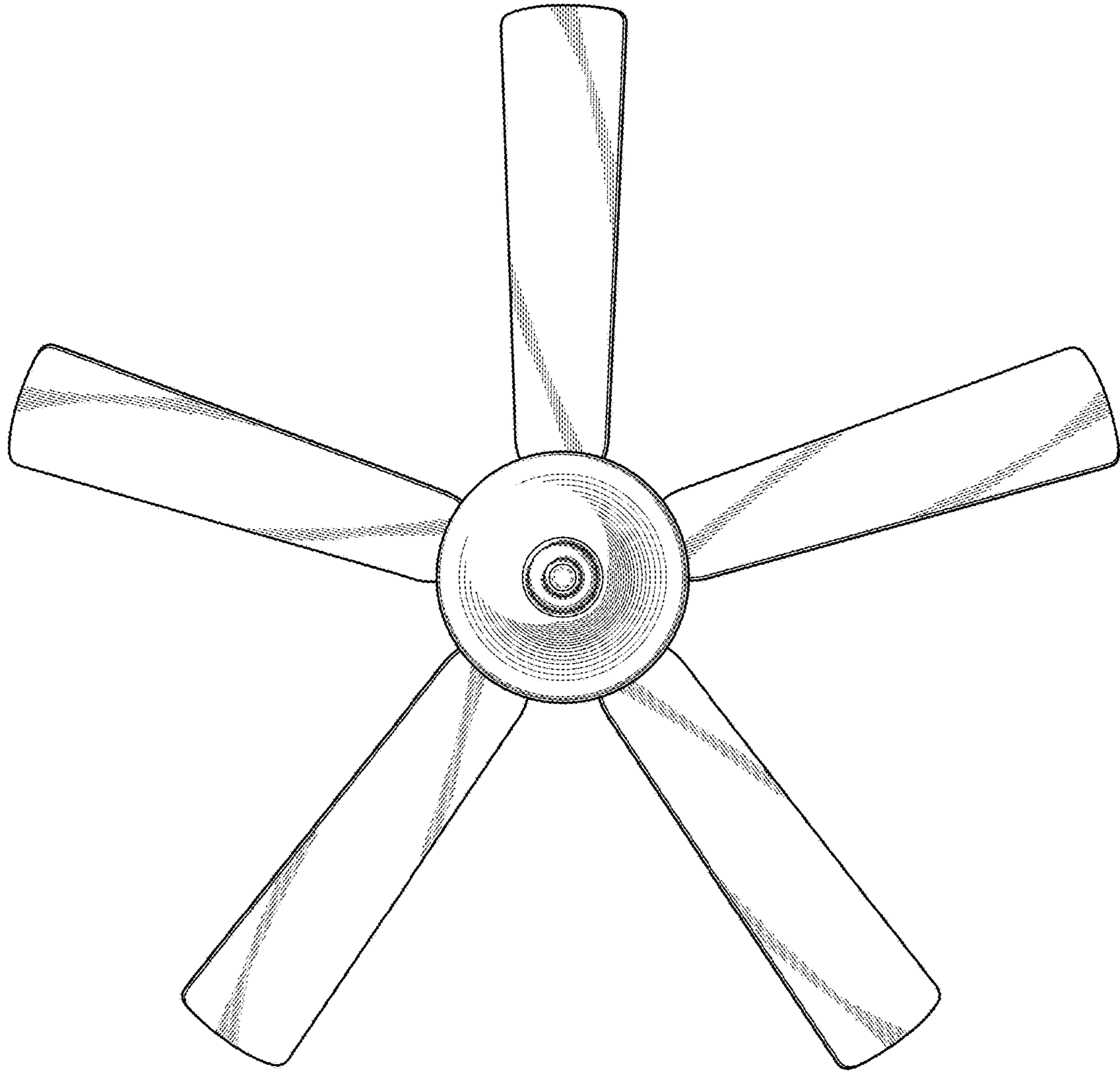


Fig.2

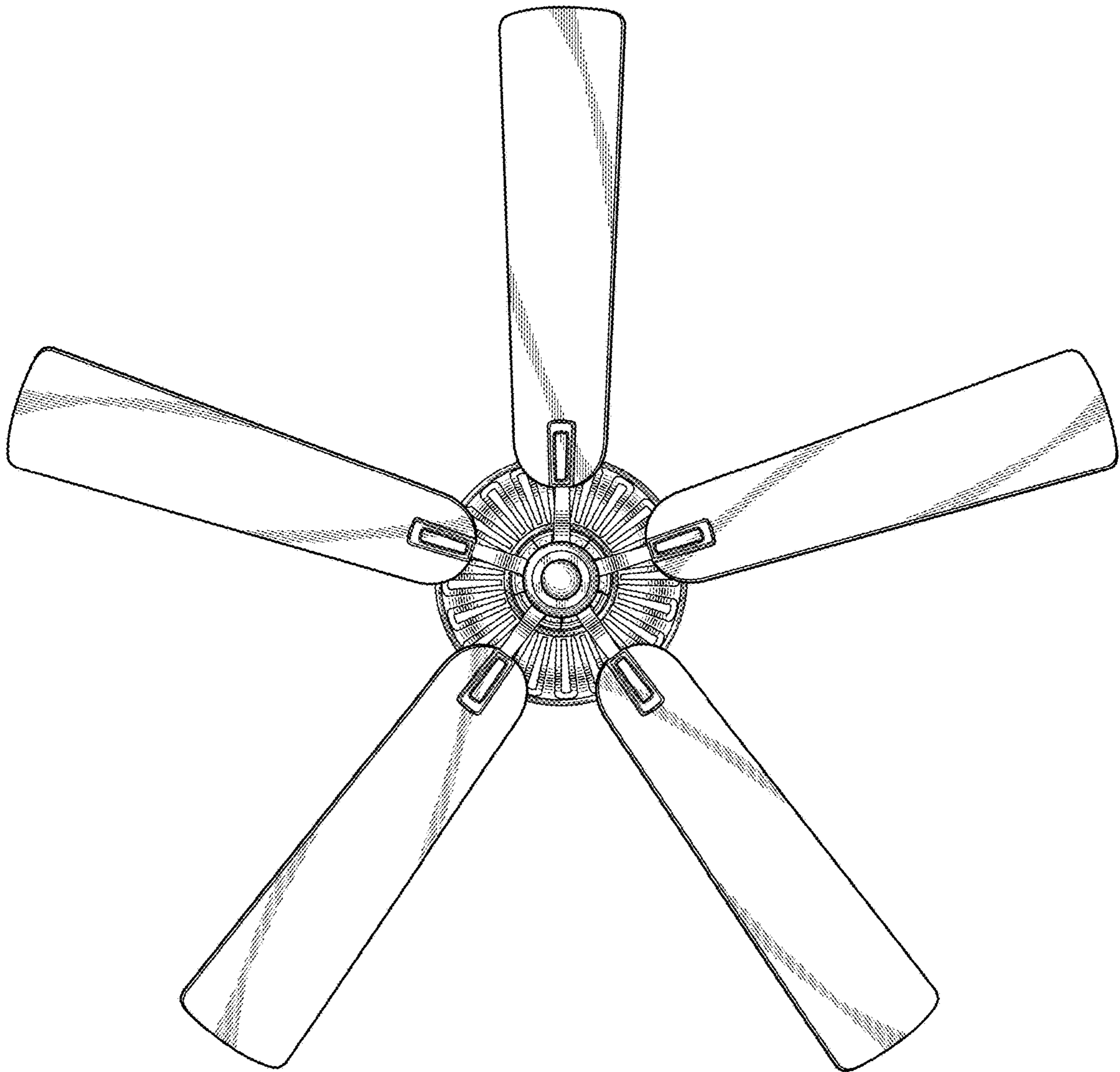


Fig.3

