

US00D778420S

(12) **United States Design Patent** (10) **Patent No.:** **US D778,420 S**
Israel et al. (45) **Date of Patent:** **** Feb. 7, 2017**

(54) **FAN BASE**
(71) Applicant: **Vornado Air LLC**, Andover, KS (US)
(72) Inventors: **Gary P. Israel**, Andover, KS (US);
Glen W. Ediger, North Newton, KS
(US); **Brian M. Cartwright**, Wichita,
KS (US)

(73) Assignee: **Vornado Air LLC**, Andover, KS (US)

(**) Term: **15 Years**

(21) Appl. No.: **29/543,554**

(22) Filed: **Oct. 26, 2015**

(51) **LOC (10) Cl.** **23-04**

(52) **U.S. Cl.**
USPC **D23/370; D23/411**

(58) **Field of Classification Search**
USPC D23/370, 355, 314, 414, 371, 377, 385,
D23/411; 415/121.1; D14/432
CPC F04D 29/329; F04D 29/526; F04D 25/082;
F04D 29/325; F04D 29/703; F04D 29/547
See application file for complete search history.

(56) **References Cited**

U.S. PATENT DOCUMENTS

D421,114 S * 2/2000 Lozzio D23/332
D429,808 S * 8/2000 Krauss D23/370
D459,460 S * 6/2002 Melwani D23/370

D537,515 S * 2/2007 Ediger D23/382
D537,516 S * 2/2007 Ediger D23/382
D681,186 S * 4/2013 Pan D23/370
D684,249 S * 6/2013 Herbst D23/370
D691,256 S * 10/2013 Pan D23/370
D702,827 S * 4/2014 Mase D23/370
D740,295 S * 10/2015 Alegiani D14/453
D757,922 S * 5/2016 Tang D23/364

* cited by examiner

Primary Examiner — Cynthia Underwood

(74) *Attorney, Agent, or Firm* — Milligan PC LLO

(57) **CLAIM**

The ornamental design for a fan base, as shown and described.

DESCRIPTION

FIG. 1 is a front, left, top perspective view of the fan base of FIG. 1;

FIG. 2 is a front, right, bottom perspective view of the fan base of FIG. 1;

FIG. 3 is a right elevation view of the fan base of FIG. 1;

FIG. 4 is a left elevation view of the fan base of FIG. 1;

FIG. 5 is a rear elevation view of the fan base of FIG. 1;

FIG. 6 is a front elevation view of the fan base of FIG. 1;

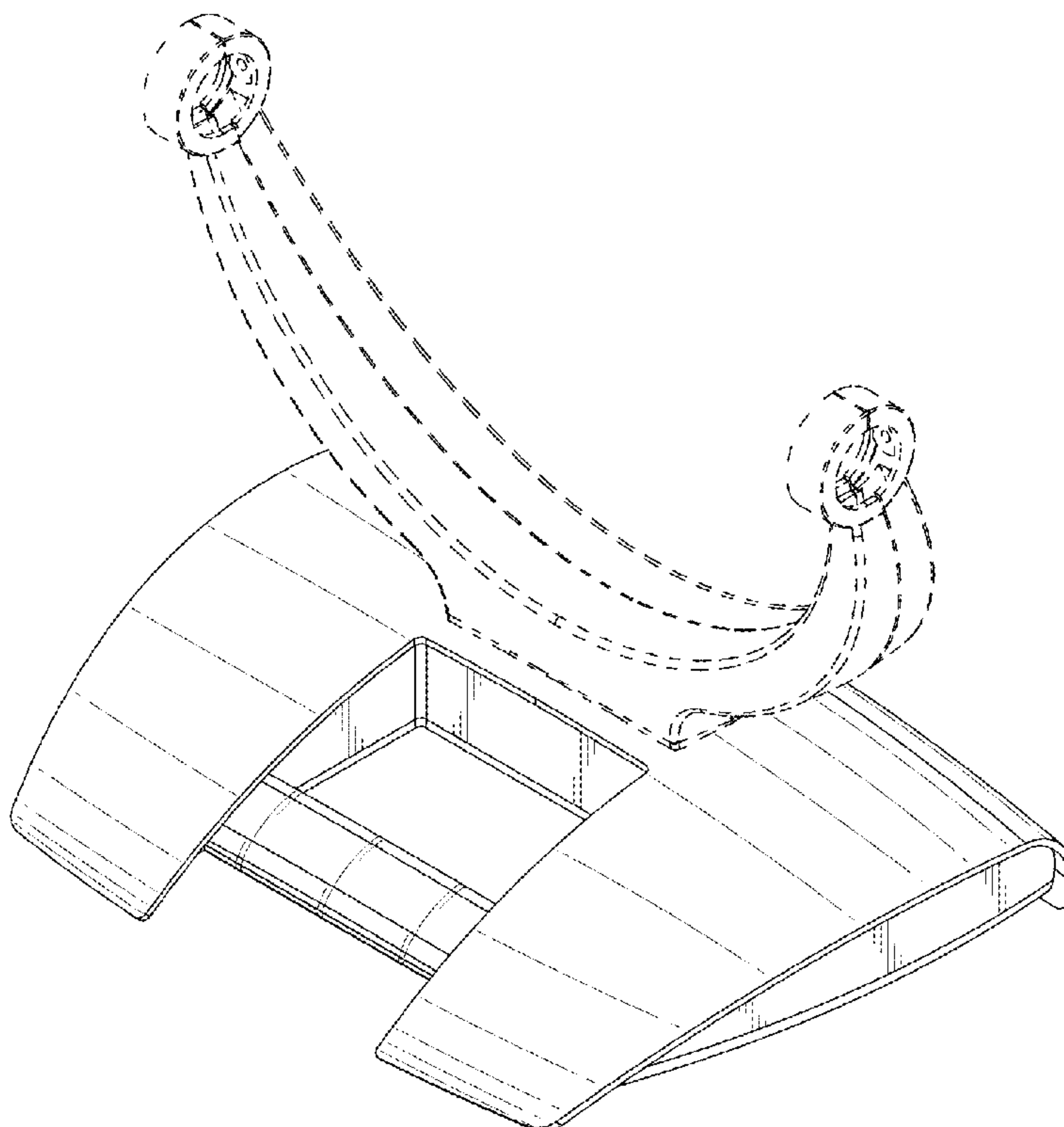
FIG. 7 is a bottom elevation view of the fan base of FIG. 1;

and,

FIG. 8 is a top elevation view of the fan base of FIG. 1.

The broken lines represent environment that forms no part of the claim.

1 Claim, 5 Drawing Sheets



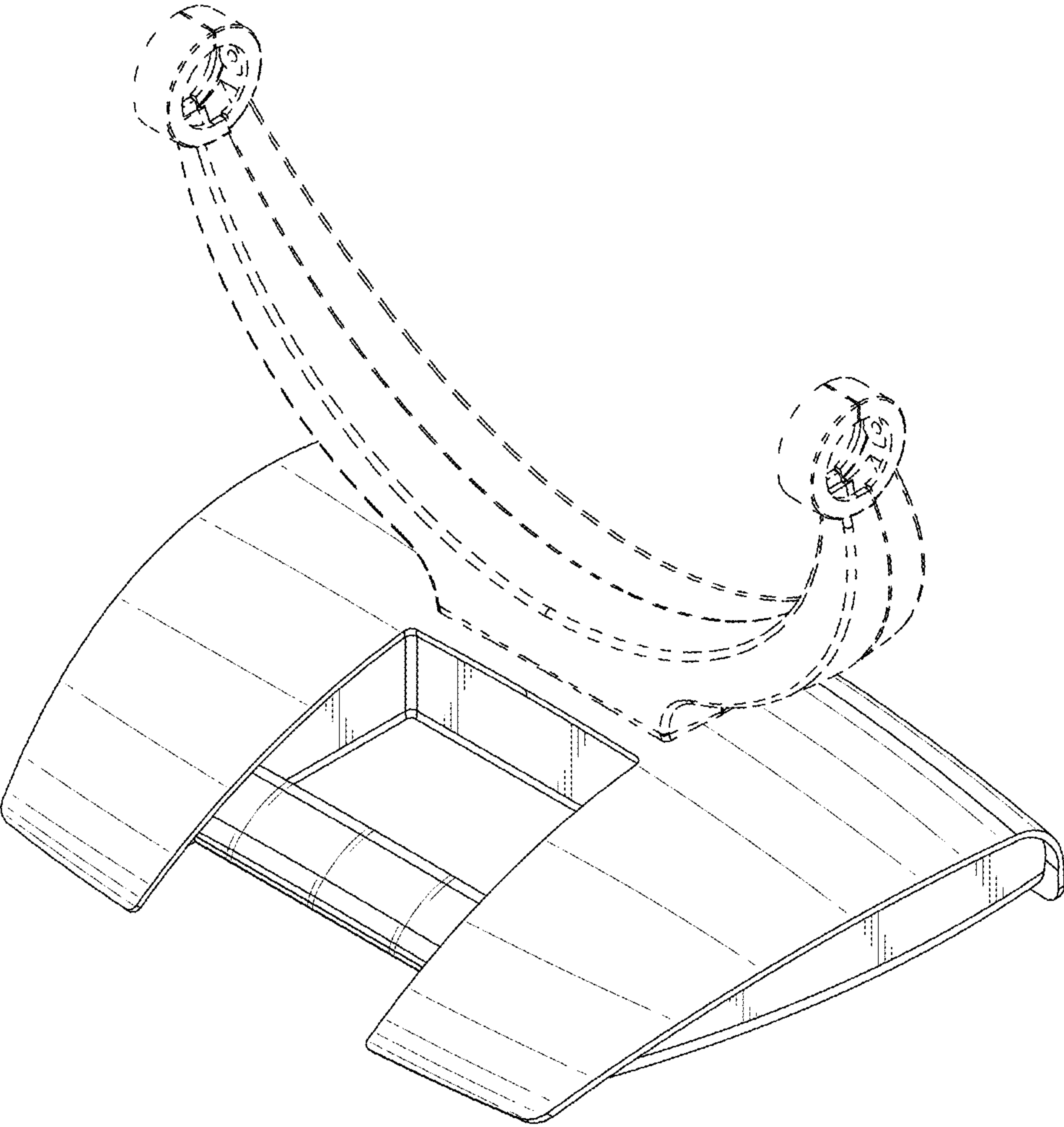


FIG. 1

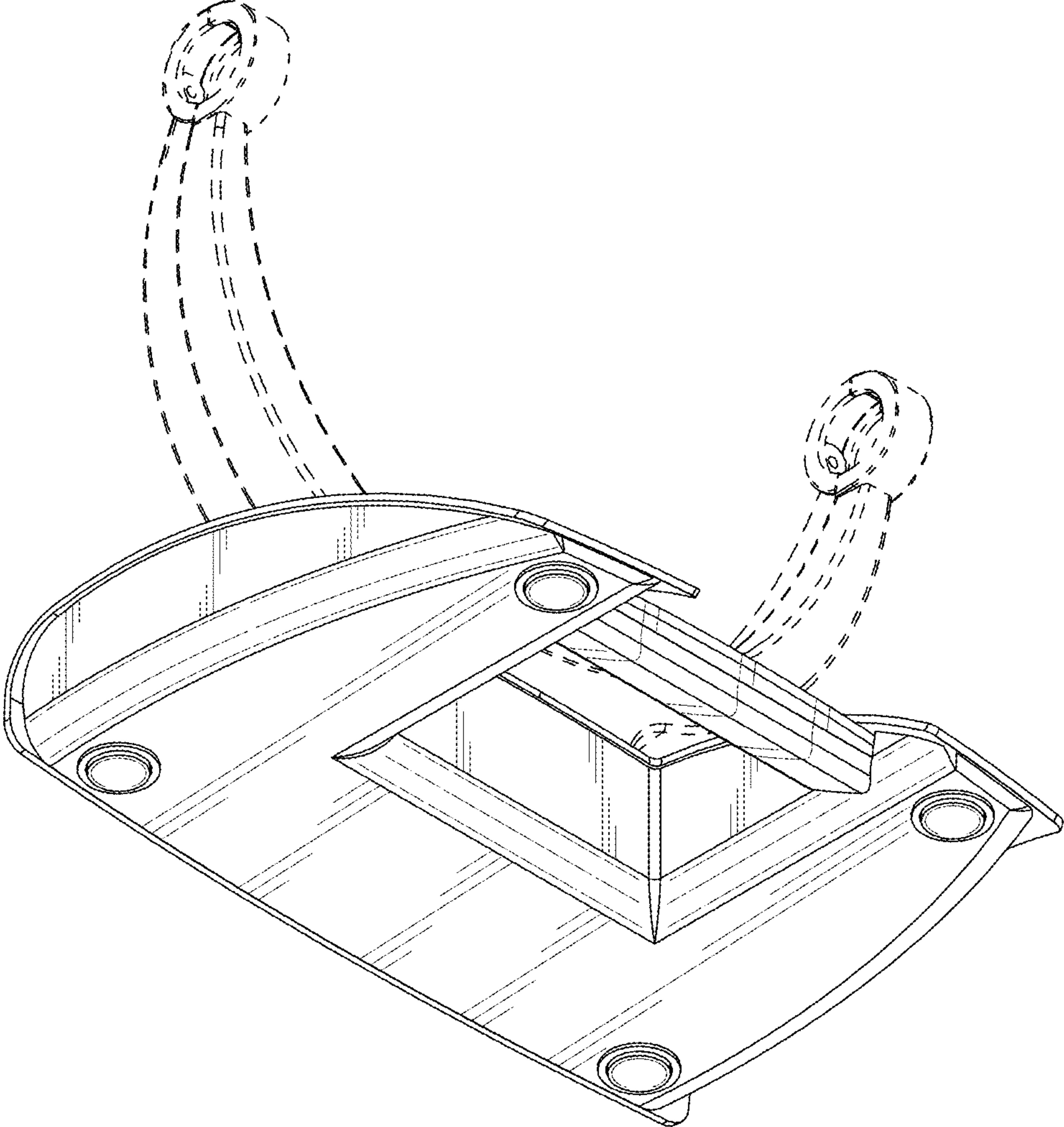


FIG. 2

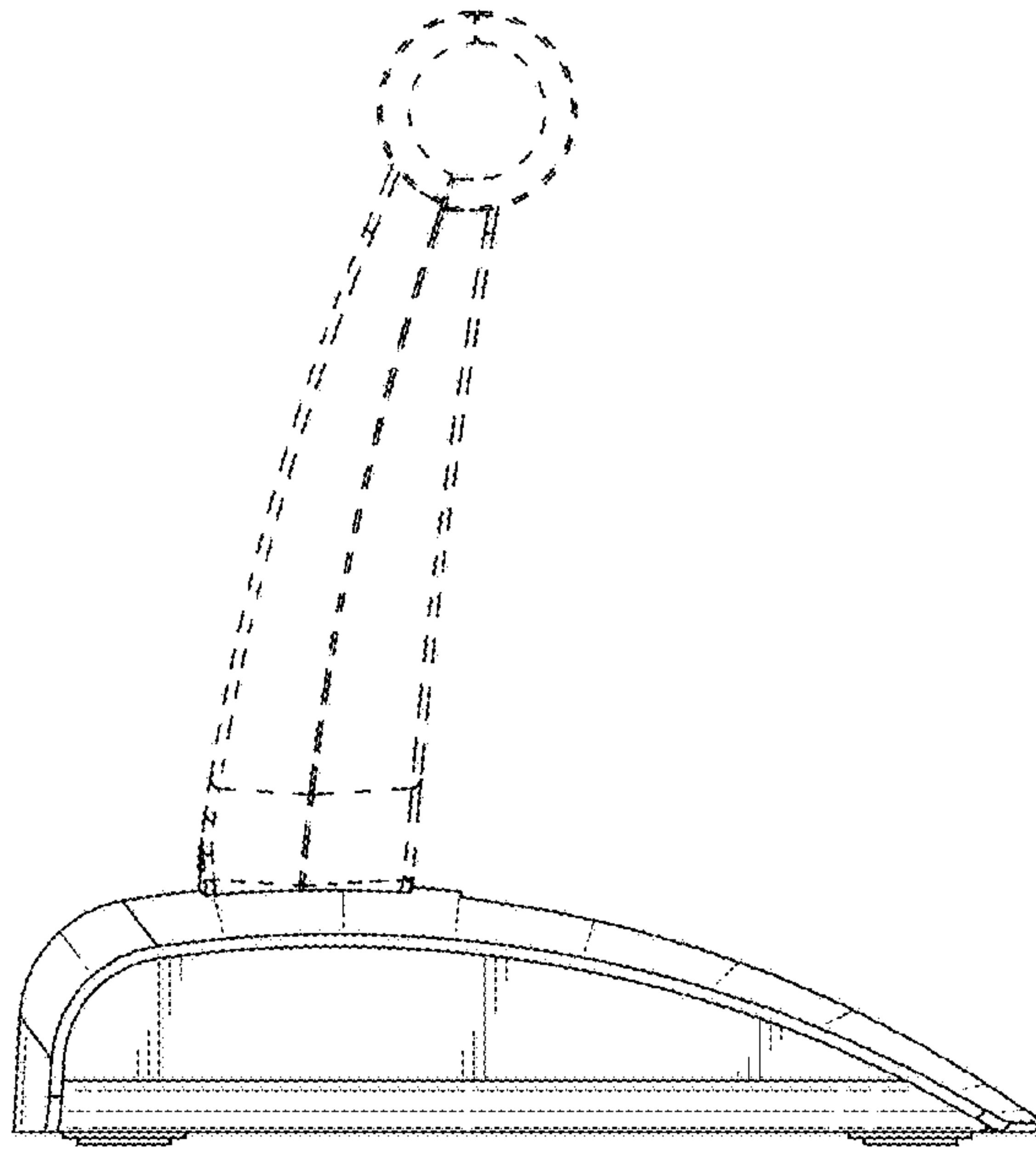


FIG. 3

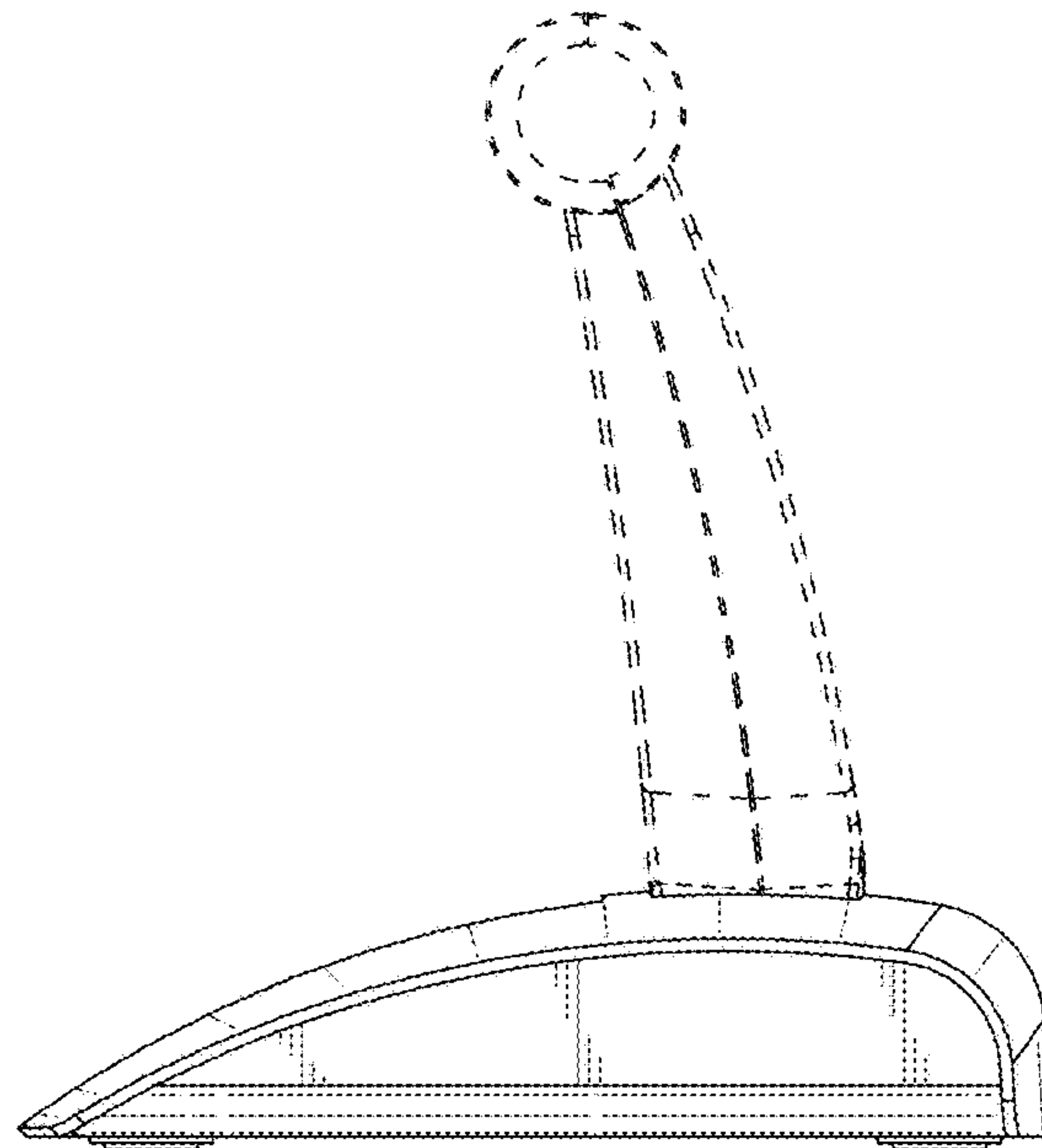


FIG. 4

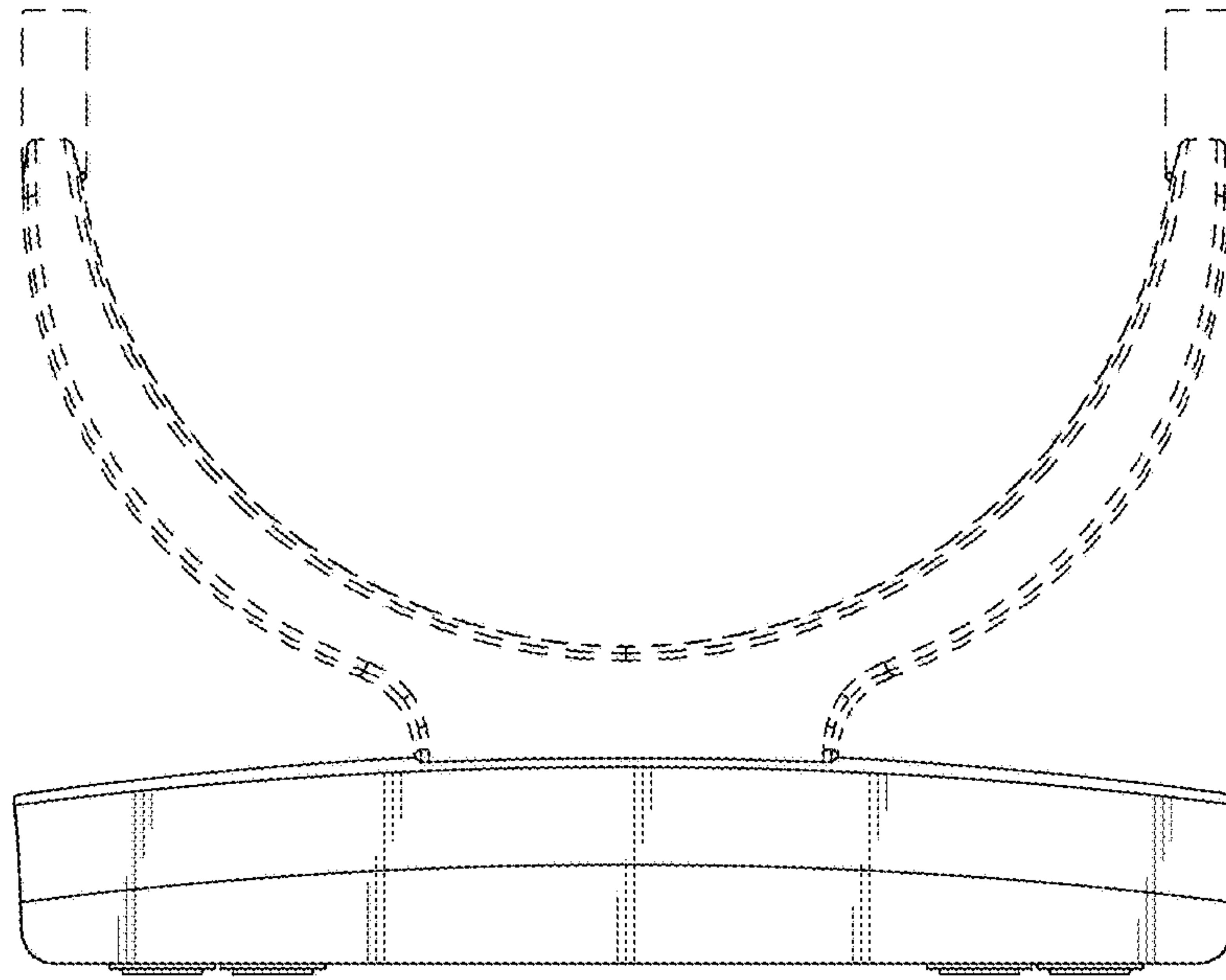


FIG. 5

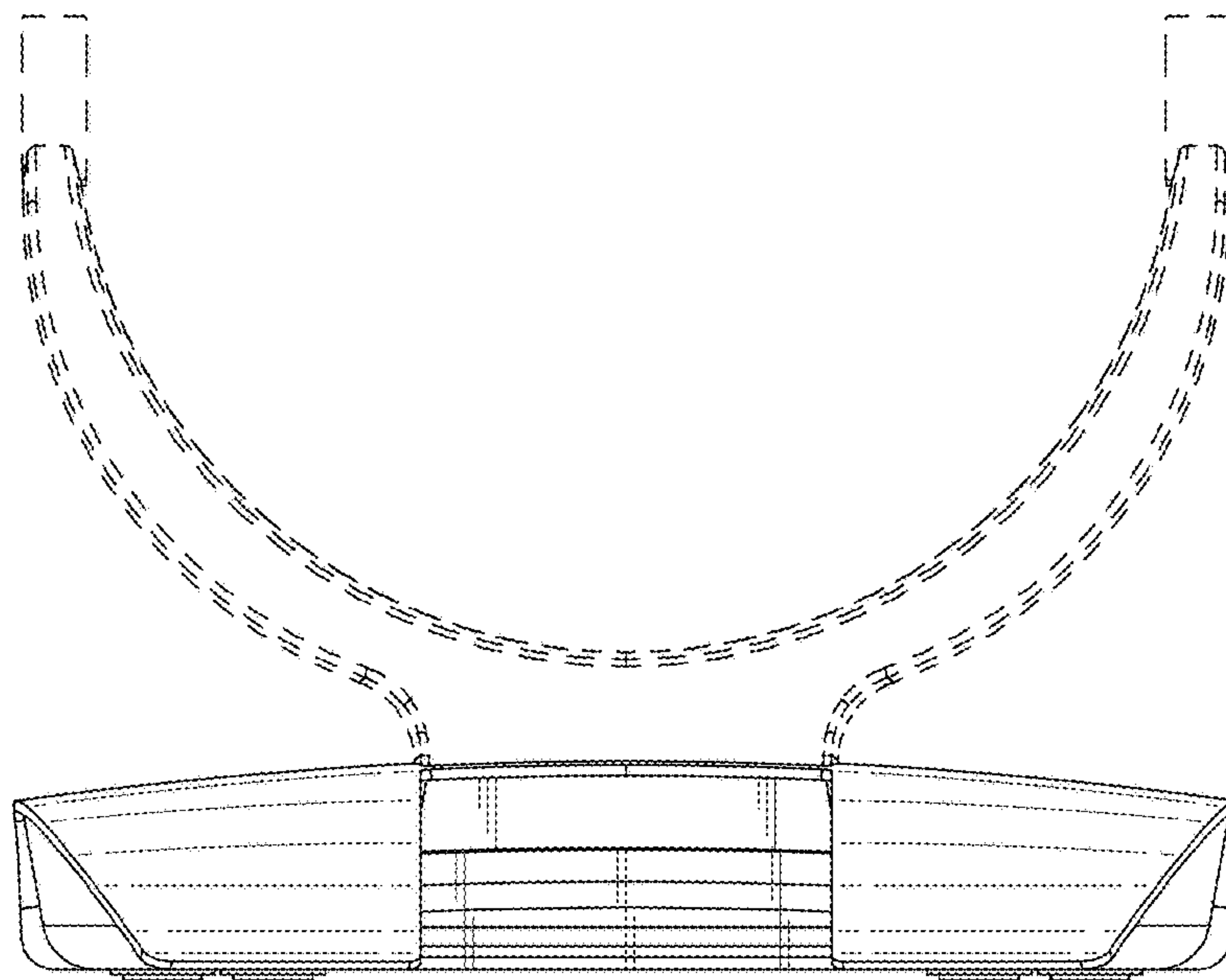


FIG. 6

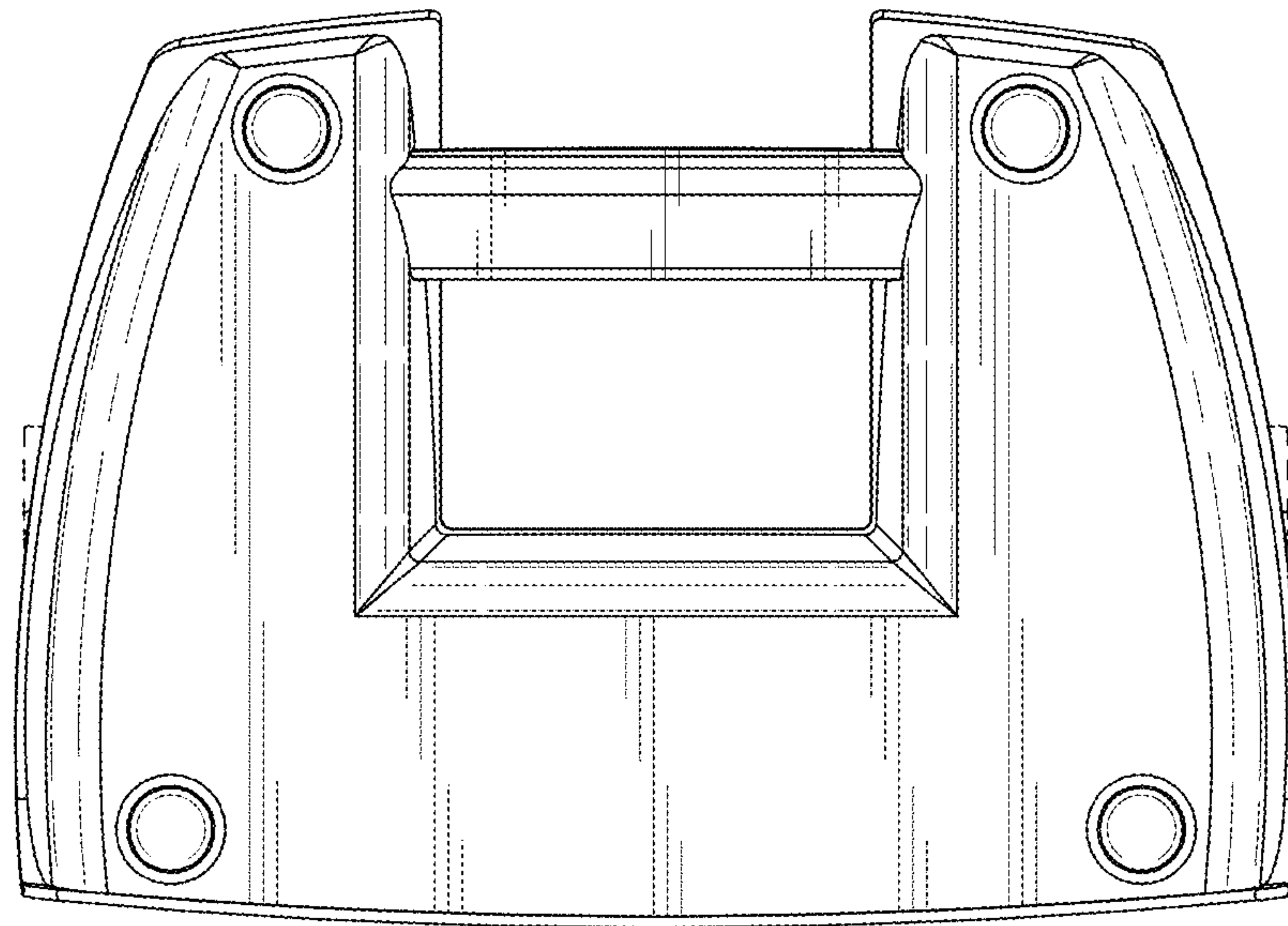


FIG. 7

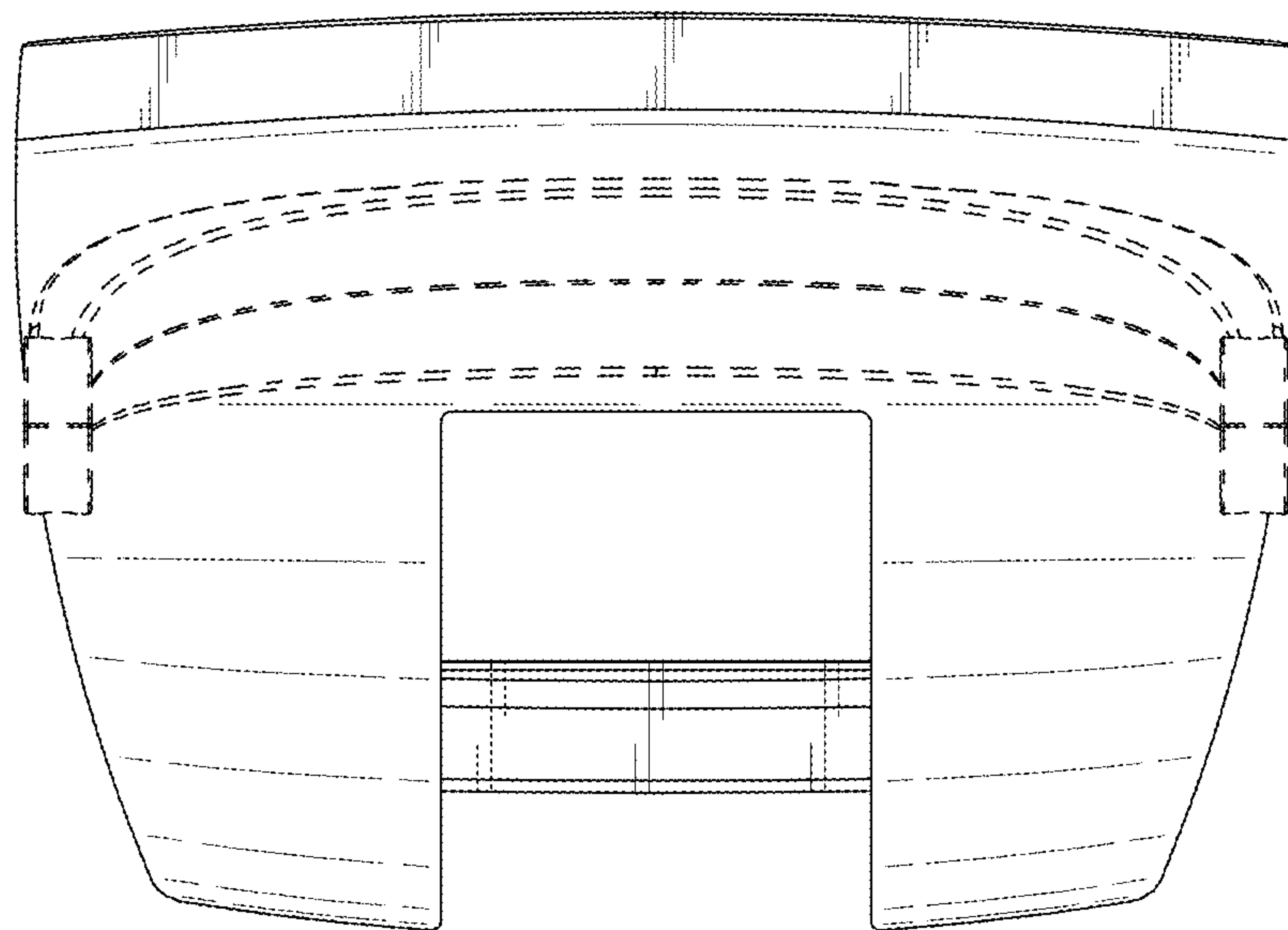


FIG. 8