



US00D778414S

(12) **United States Design Patent**
Yan

(10) **Patent No.:** **US D778,414 S**

(45) **Date of Patent:** **** Feb. 7, 2017**

(54) **WATER SEAL TRAP**

(71) Applicant: **Jin-Jung Yan**, Taichung (TW)

(72) Inventor: **Jin-Jung Yan**, Taichung (TW)

(**) Term: **15 Years**

(21) Appl. No.: **29/547,207**

(22) Filed: **Dec. 2, 2015**

(51) **LOC (10) Cl.** **23-01**

(52) **U.S. Cl.**
USPC **D23/268**

(58) **Field of Classification Search**
USPC D23/233-237, 259-266, 268, 269;
4/286-287, 290-292, DIG. 16; 285/42,
285/56, 120.1, 121.4, 123.12
CPC E03C 1/26; E03C 1/28; E03C 1/232;
E03C 1/262; E03C 1/264; E03C
1/284; F16L 41/007; F16L 37/252; E03D
11/16; E03F 5/04; A47J 47/20; A47K
1/14

See application file for complete search history.

(56) **References Cited**

U.S. PATENT DOCUMENTS

D53,747 S * 8/1919 Odenkirk D23/268
3,630,547 A * 12/1971 Hartshorn, Jr. F16L 47/32
285/129.1
4,014,053 A * 3/1977 Jones E03D 11/16
285/12
5,341,523 A * 8/1994 Barnes E03F 5/0407
137/362
D353,654 S * 12/1994 Cox D23/263

D402,013 S * 12/1998 Saffrey D23/263
D461,234 S * 8/2002 Hanna D23/268
7,908,685 B2 * 3/2011 Ericson E03C 1/1225
4/679
8,813,273 B2 * 8/2014 Stimpson E03C 1/22
210/163
D748,226 S * 1/2016 Aoki D23/233
D749,707 S * 2/2016 Kuang D23/263
2002/0069913 A1 * 6/2002 Gorges E03C 1/28
137/247.13
2015/0322661 A1 * 11/2015 Duncan E03D 11/16
29/890.141

* cited by examiner

Primary Examiner — Eric Goodman

Assistant Examiner — Amy Wierenga

(74) *Attorney, Agent, or Firm* — Guice Patents PLLC

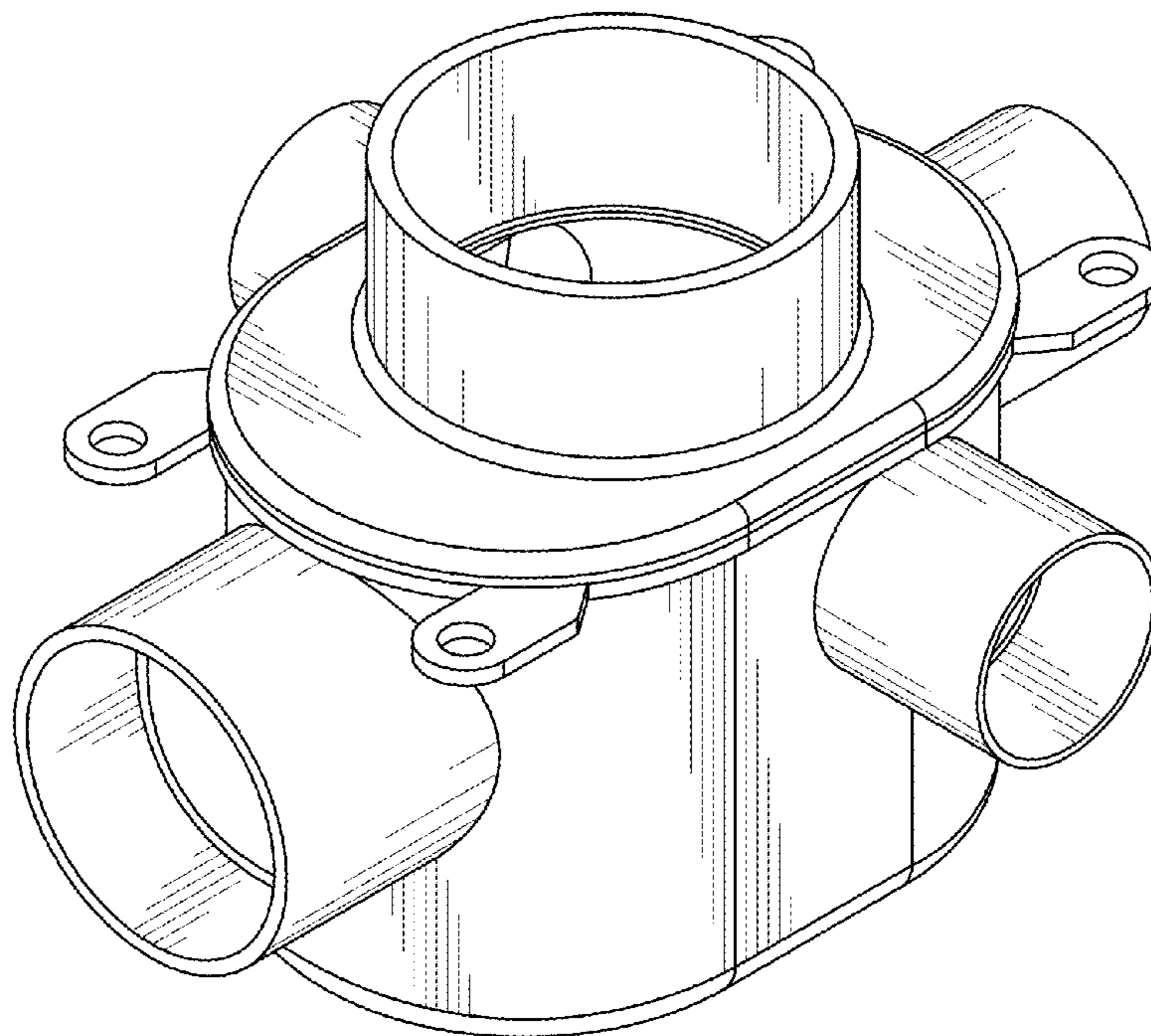
(57) **CLAIM**

I claim that the ornamental design for a water seal trap, as shown.

DESCRIPTION

FIG. 1 is a perspective view of a water seal trap showing my new design;
FIG. 2 is a front elevational view thereof;
FIG. 3 is a rear elevational view thereof;
FIG. 4 is a left side elevational view thereof;
FIG. 5 is a right side elevational view thereof;
FIG. 6 is a top plan view thereof; and,
FIG. 7 is a bottom plan view thereof.

1 Claim, 7 Drawing Sheets



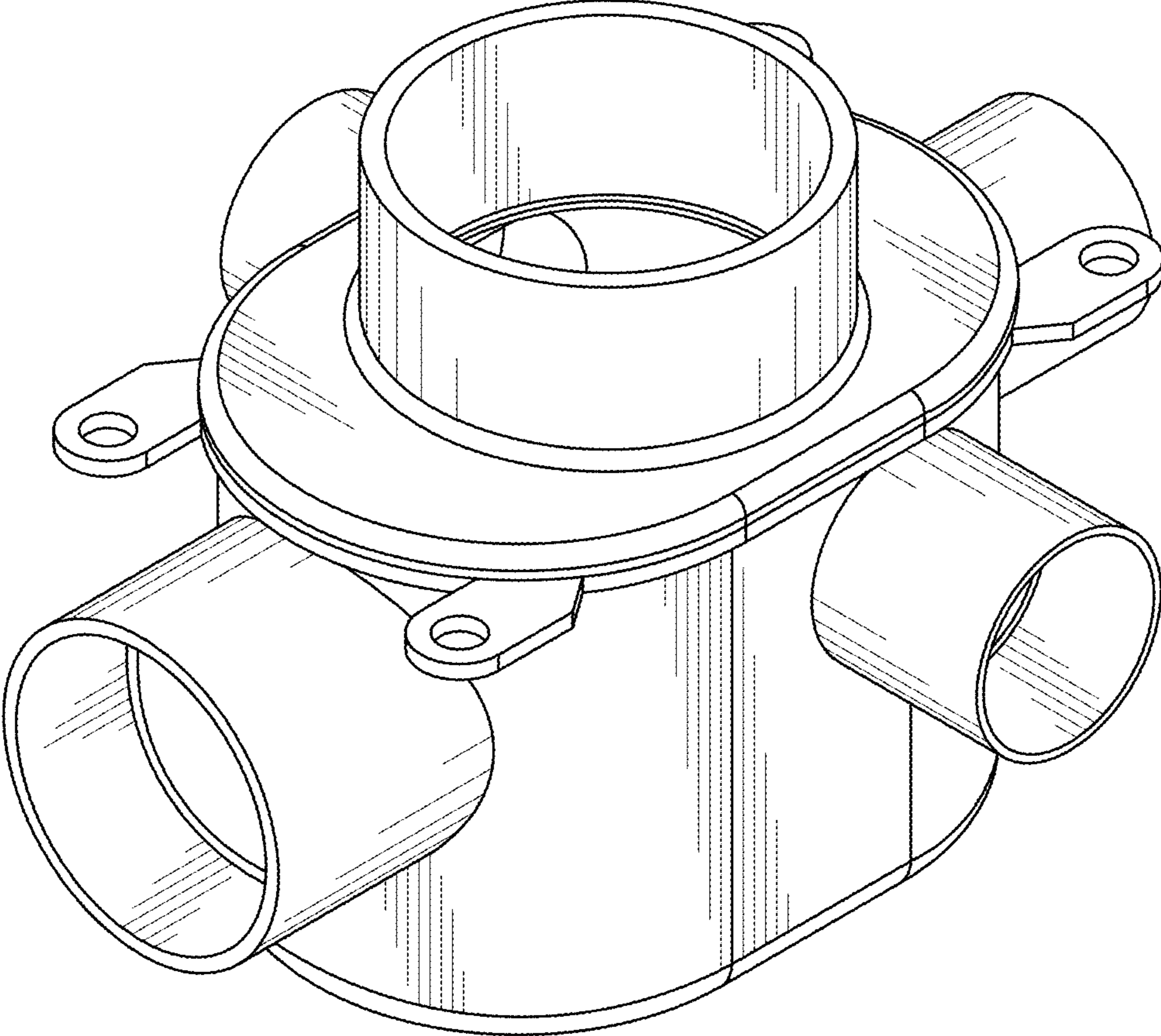


FIG.1

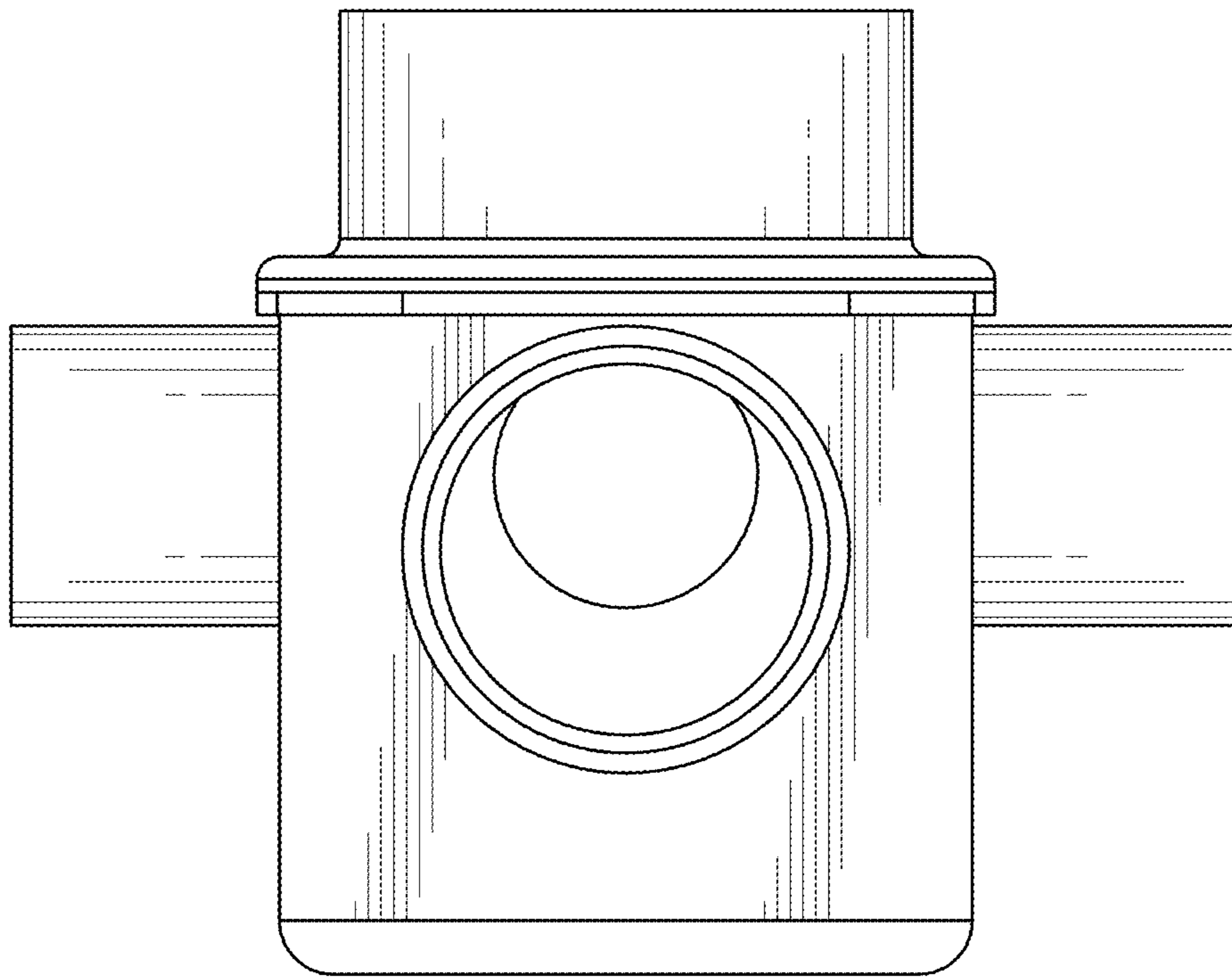


FIG.2

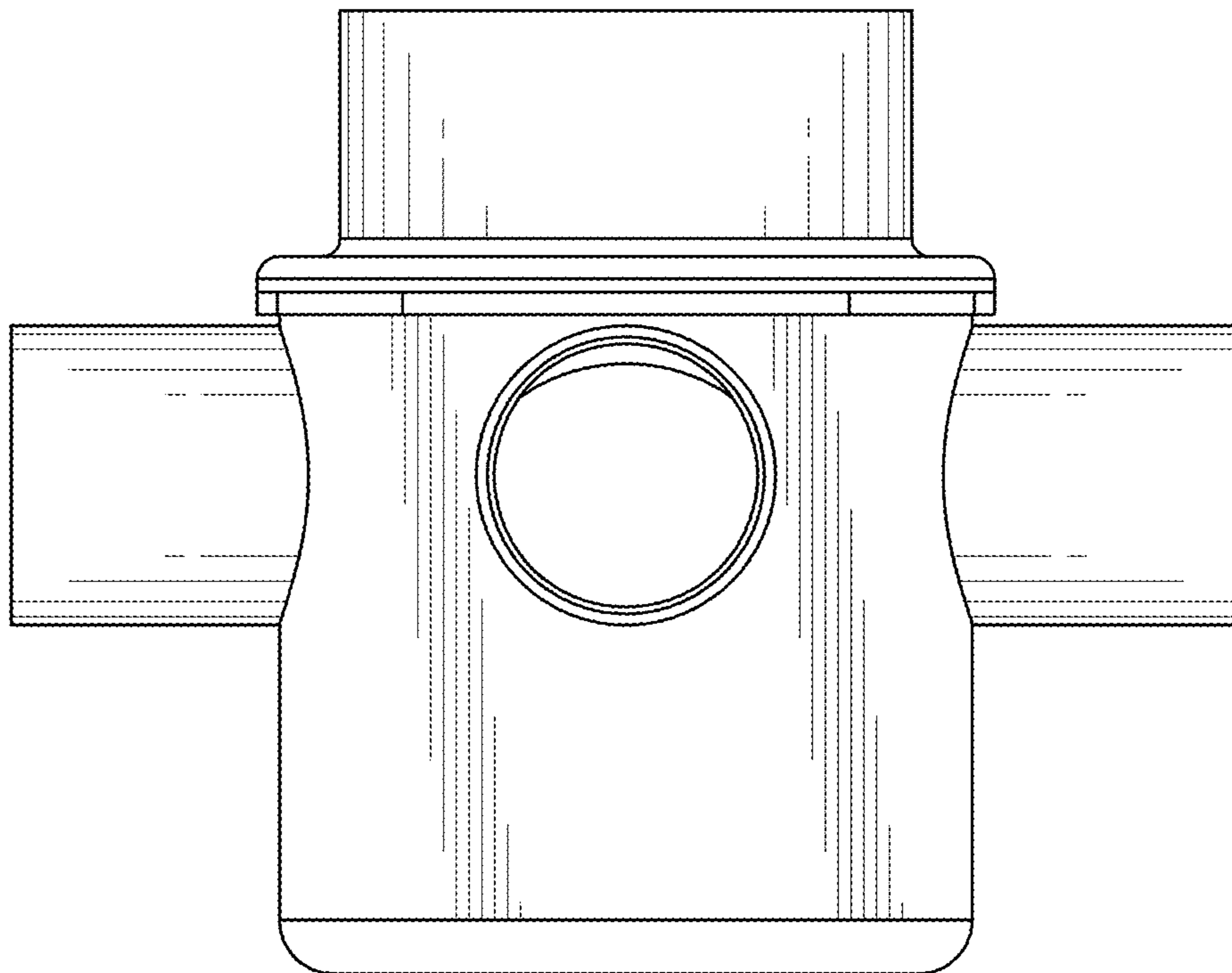


FIG.3

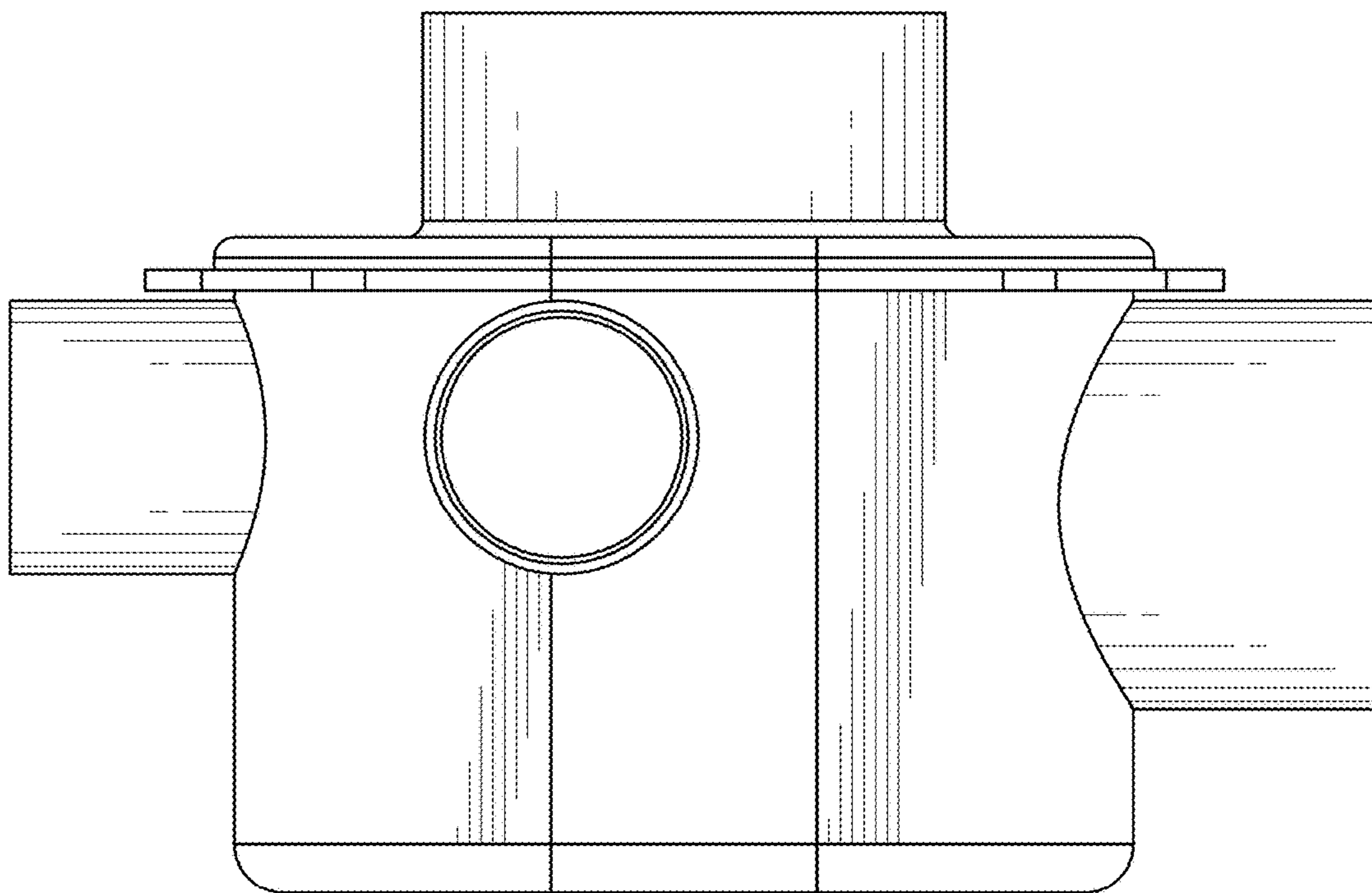


FIG.4

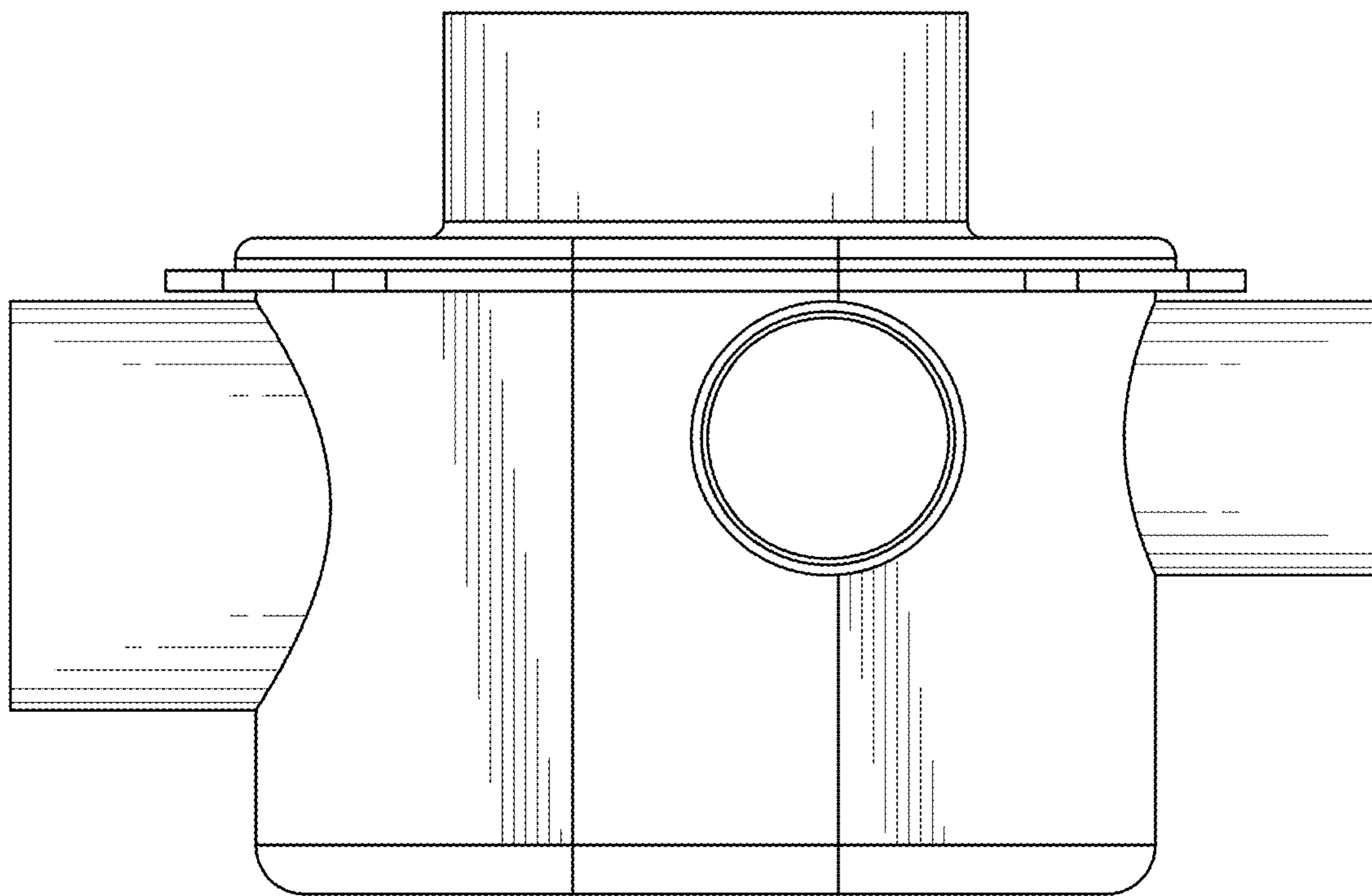


FIG.5

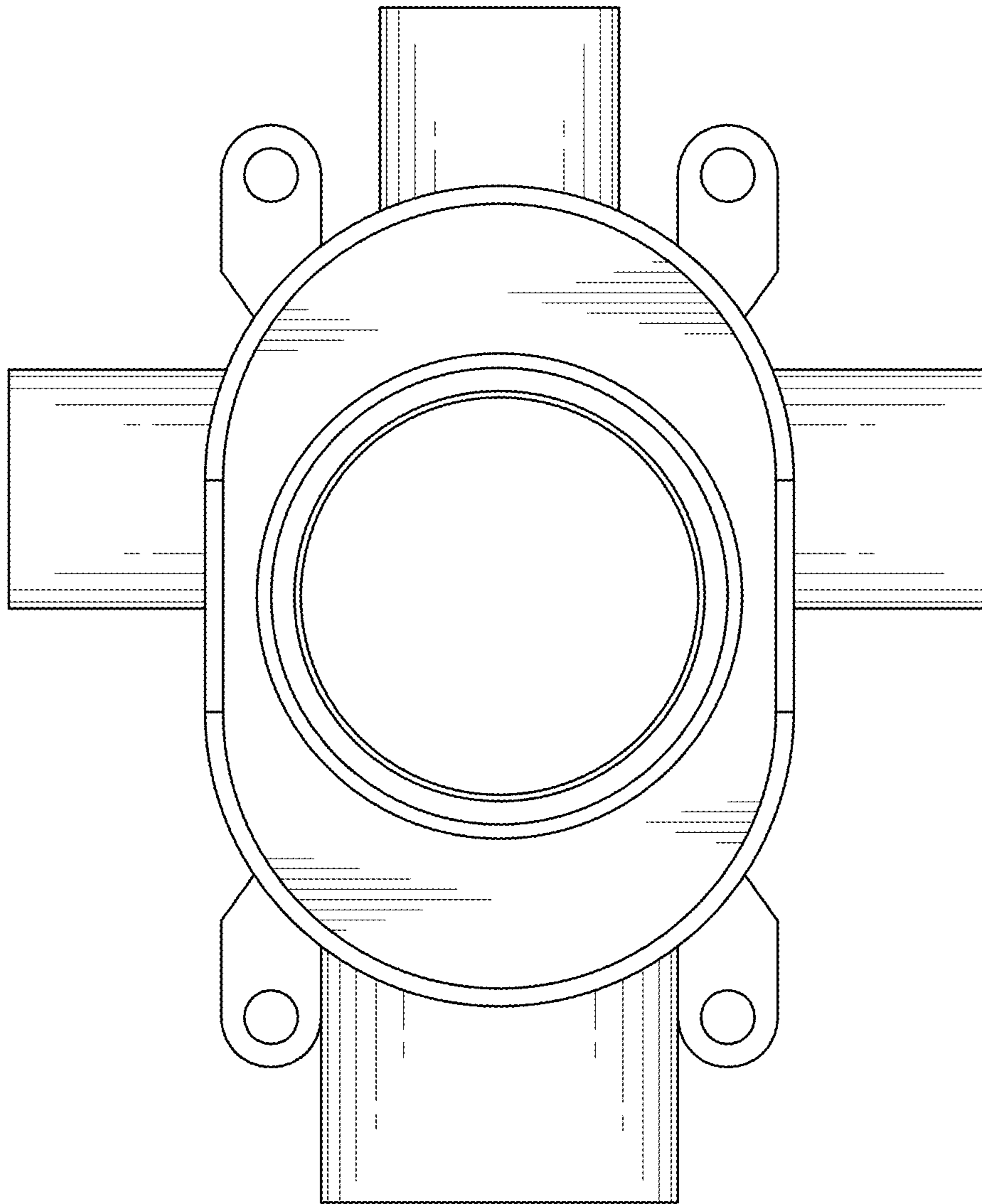


FIG.6

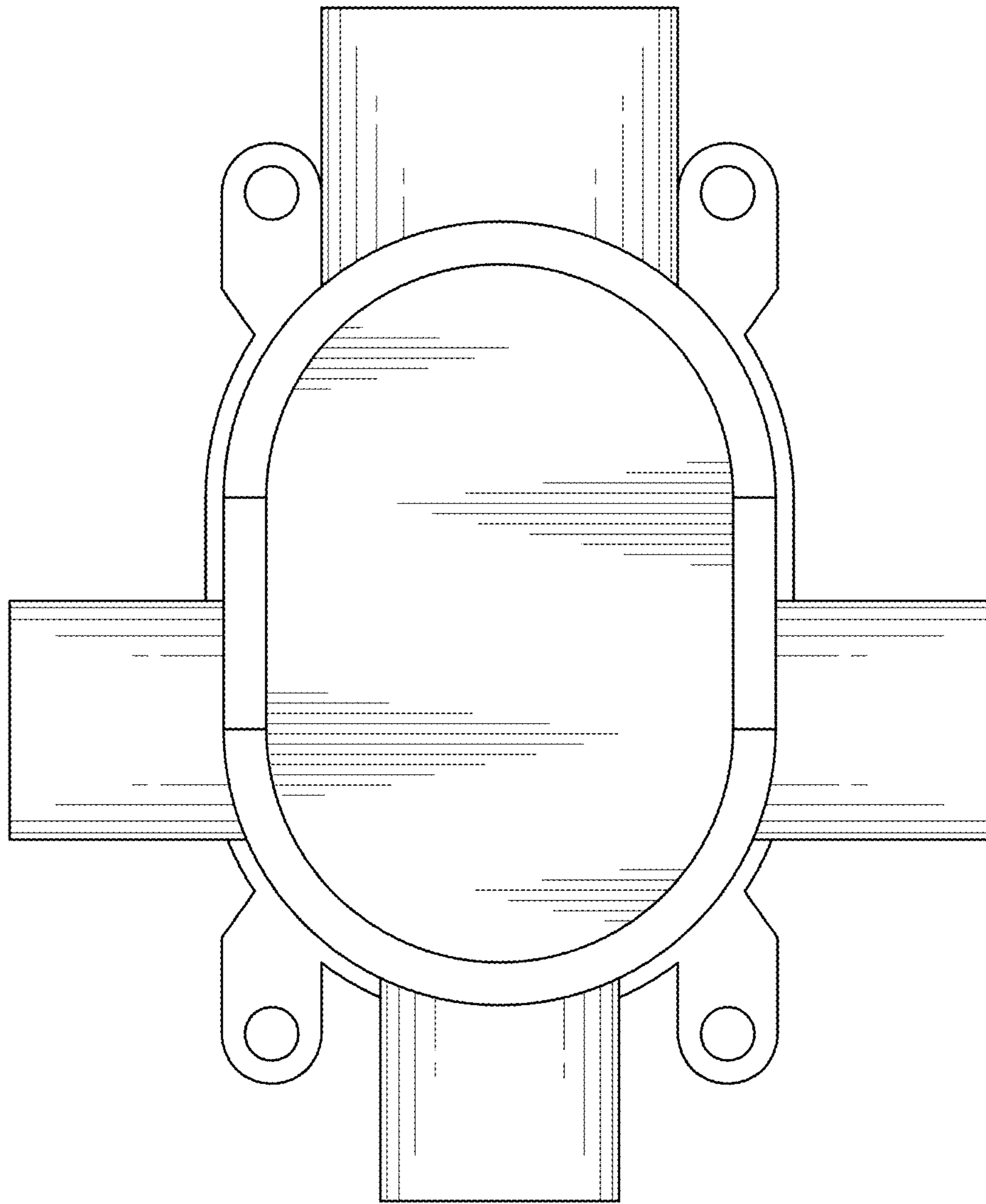


FIG.7