



US00D778413S

(12) **United States Design Patent**
Lee

(10) **Patent No.:** **US D778,413 S**

(45) **Date of Patent:** **** Feb. 7, 2017**

(54) **GRIP RING FOR PIPE CONNECTING
DEVICE**

(71) Applicant: **JUNG WOO Metal Ind. Co., Ltd.**,
Gyeonggi-do (KR)

(72) Inventor: **Kwang Won Lee**, Gyeonggi-do (KR)

(73) Assignee: **JUNG WOO METAL IND. CO.,
LTD.**, Gyeonggi-Do (KR)

(**) Term: **14 Years**

(21) Appl. No.: **29/518,901**

(22) Filed: **Feb. 27, 2015**

(30) **Foreign Application Priority Data**

Sep. 4, 2014 (KR) 30-2014-0043419

(51) **LOC (10) Cl.** **23-01**

(52) **U.S. Cl.**
USPC **D23/262**

(58) **Field of Classification Search**
USPC D23/259–263, 264–265, 266, 269
CPC F16L 17/025; F16L 17/035; F16L 17/04;
F16L 19/065; F16L 19/086; F16L 23/18;
F16L 27/06; F16L 37/091; F16L 41/021;
F16L 55/172; F16L 21/06; F16L 21/08;
F16J 15/2418; F16J 15/3256; F16J
15/3404; F16J 15/187; F16J 15/36

See application file for complete search history.

(56) **References Cited**

U.S. PATENT DOCUMENTS

856,106 A * 6/1907 Snow F16L 17/035
277/626
4,343,480 A * 8/1982 Vassallo F16L 47/10
277/615

4,921,258 A * 5/1990 Fournier F16J 15/164
137/217
D330,073 S * 10/1992 Valls D23/269
D342,567 S * 12/1993 Boen D23/269
D347,885 S * 6/1994 Gustafsson D23/269
D360,021 S * 7/1995 Sonden D23/262

(Continued)

Primary Examiner — Eric Goodman

Assistant Examiner — Amy Wierenga

(74) *Attorney, Agent, or Firm* — Workman Nydegger

(57) **CLAIM**

The ornamental design for a grip ring for pipe connecting device, as shown and described.

DESCRIPTION

FIG. 1 is a perspective view of the present design;

FIG. 2 is a front view;

FIG. 3 is a rear view;

FIG. 4 is a left side view;

FIG. 5 is a right side view;

FIG. 6 is a plan view;

FIG. 7 is a bottom view;

FIG. 8 is a cross-sectional view of section 8-8 of FIG. 2;

FIG. 9 is a section view showing the article in a position of use and a state in which a grip ring for pipe connecting device is positioned between a pipe and pipe connection device;

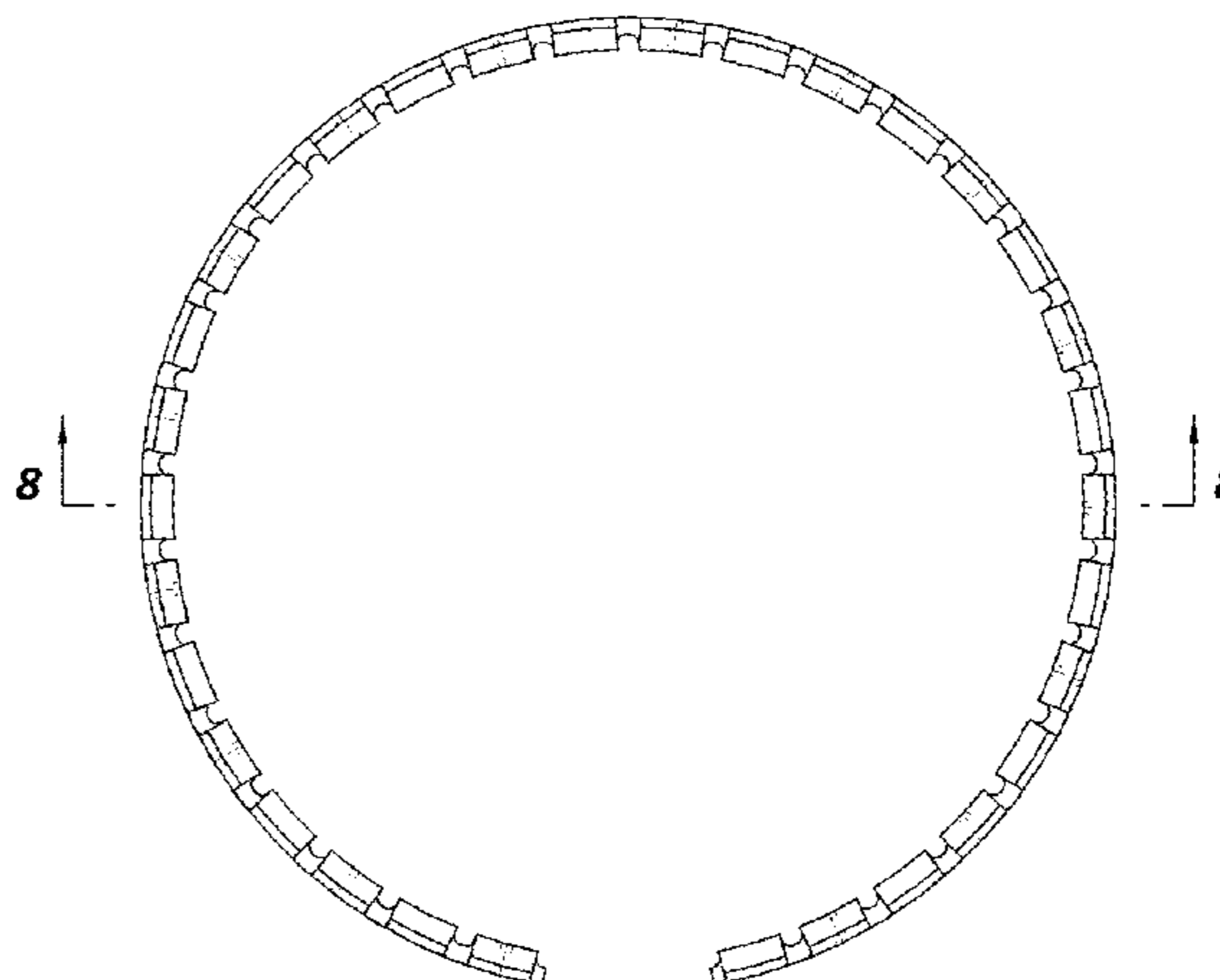
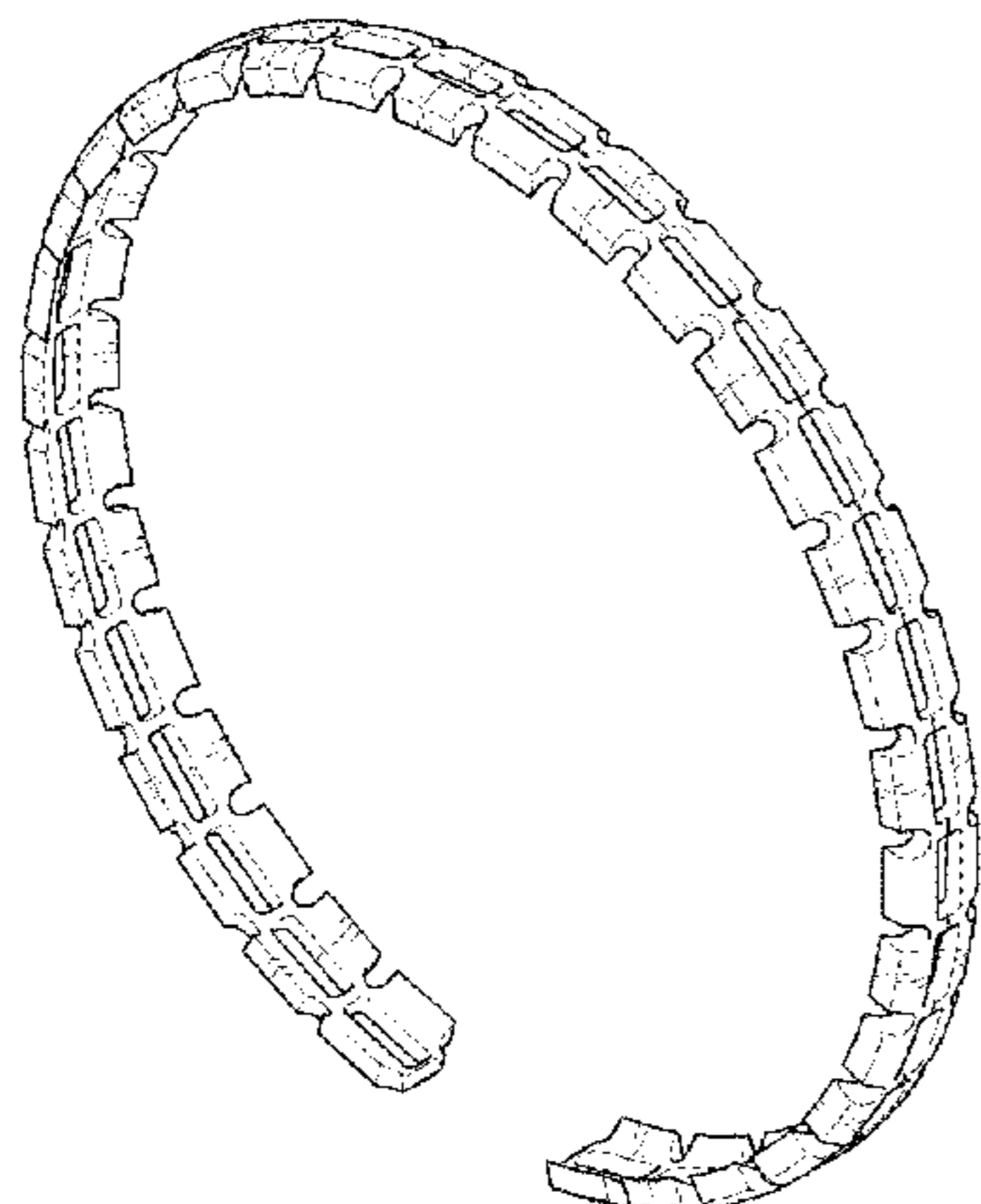
FIG. 10 is an enlarged detail view of FIG. 9;

FIG. 11 is a section view showing the article in a position of use and a state in which a pair of sharp portions penetrates the pipe by pressure; and,

FIG. 12 is an enlarged detail view of FIG. 11.

The broken lines shown in the drawings are for the purpose of illustrating environment that form no part of the claim. The dot dash broken line indicates cutoff boundaries for enlarged detailed portion views and form no part of the claim.

1 Claim, 8 Drawing Sheets



(56)

References Cited

U.S. PATENT DOCUMENTS

D364,918	S *	12/1995	Hutchens	D23/262
D526,705	S *	8/2006	Wortmann	D23/269
D557,386	S *	12/2007	Darce	D23/269
D620,086	S *	7/2010	Copeland	D23/266
D625,783	S *	10/2010	Madara	D23/262
D638,523	S *	5/2011	Yoshida	D23/269
8,622,399	B2 *	1/2014	Monteil	F16L 21/03 277/616
8,651,532	B2 *	2/2014	Felber	F16L 21/005 285/236
2007/0069479	A1 *	3/2007	Liao	F16J 15/3256 277/551
2010/0230949	A1 *	9/2010	Lake	F16L 17/025 285/37
2013/0119655	A1 *	5/2013	Jamison	F16L 17/02 285/295.1
2013/0154260	A1 *	6/2013	Jamison	F16L 21/02 285/374
2013/0200613	A1 *	8/2013	Lee	F16L 21/08 285/340
2015/0267849	A1 *	9/2015	Henrich	F16L 37/091 285/325
2015/0308595	A1 *	10/2015	Lee	F16L 13/142 285/349

* cited by examiner

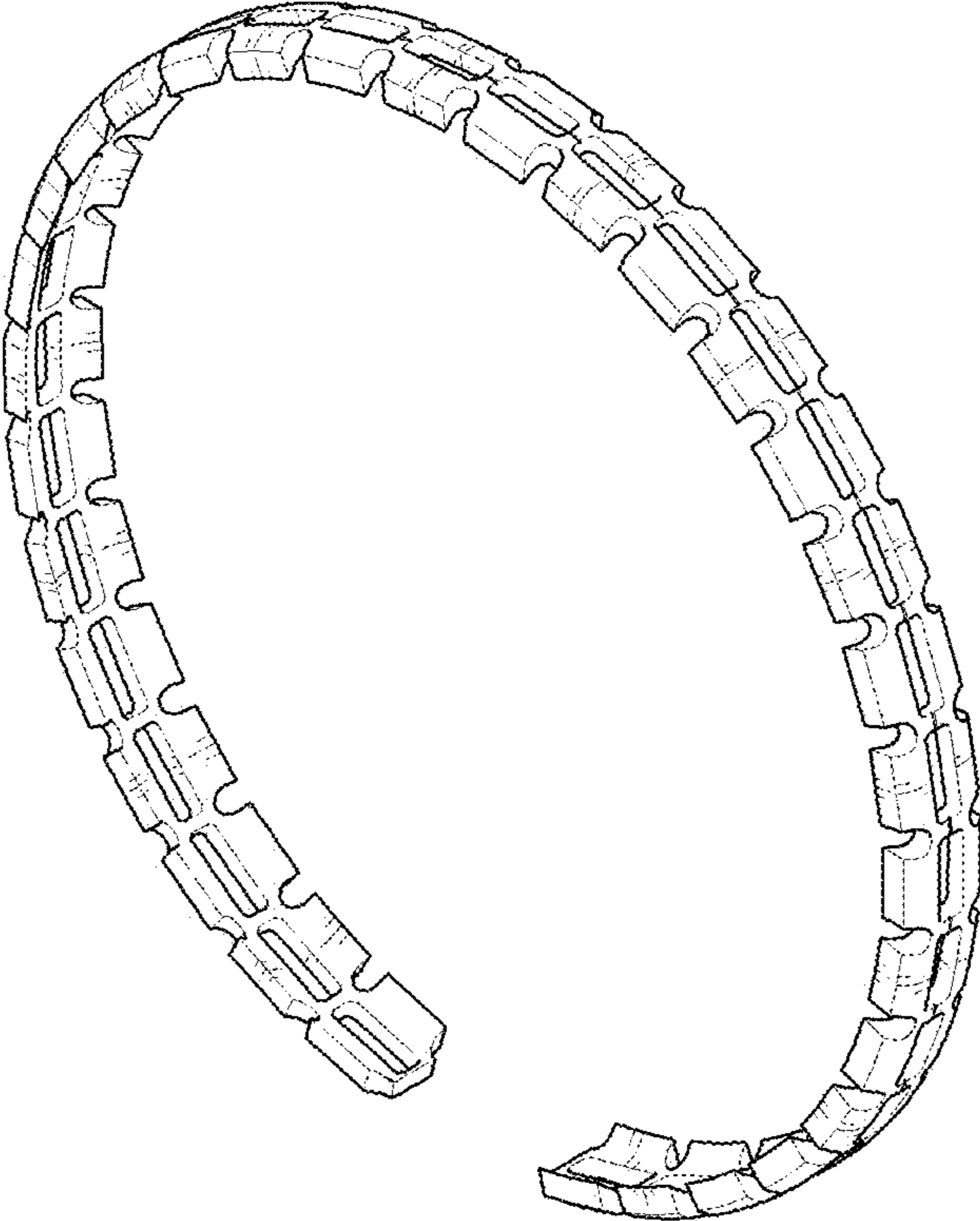


FIG. 1

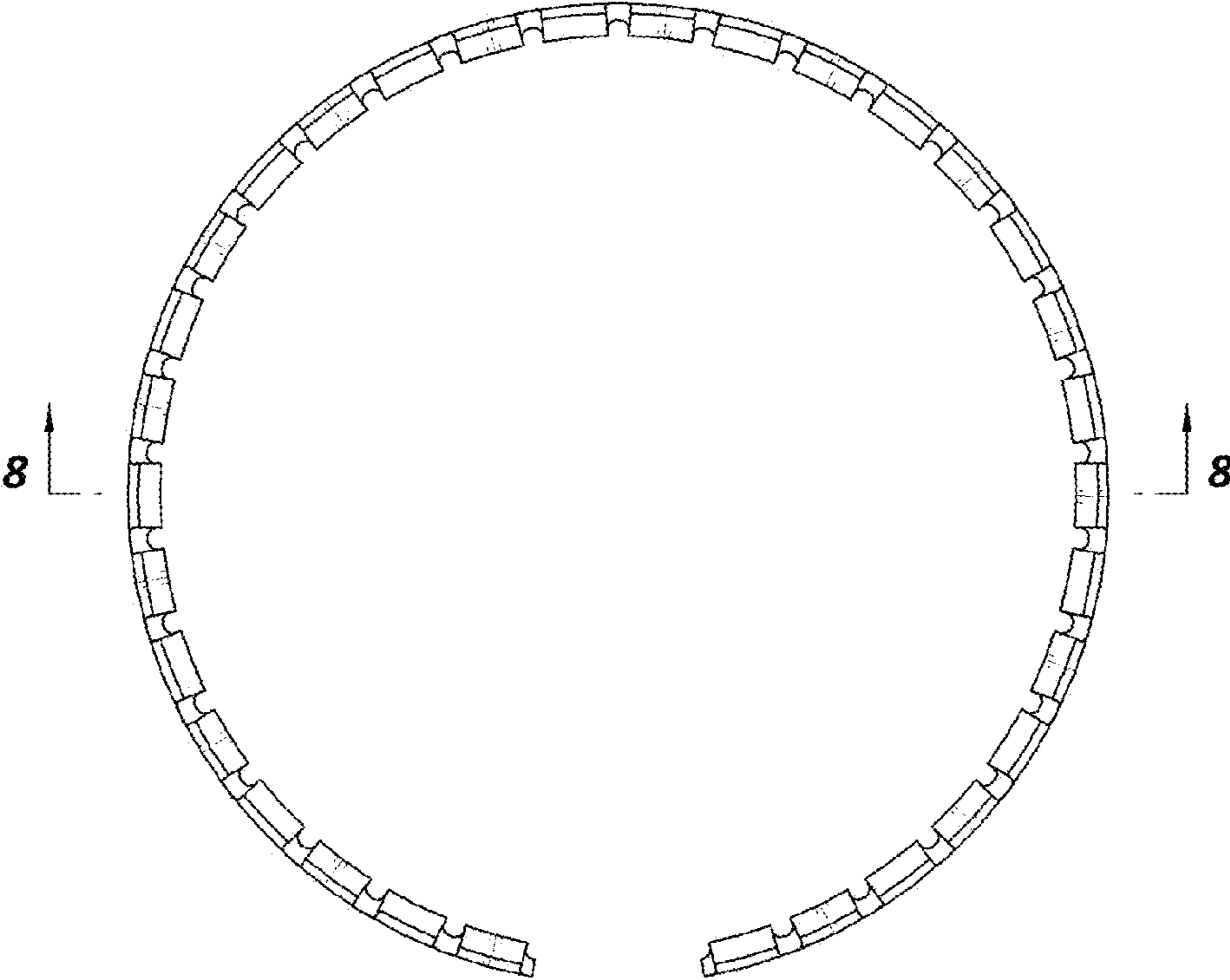


FIG. 2

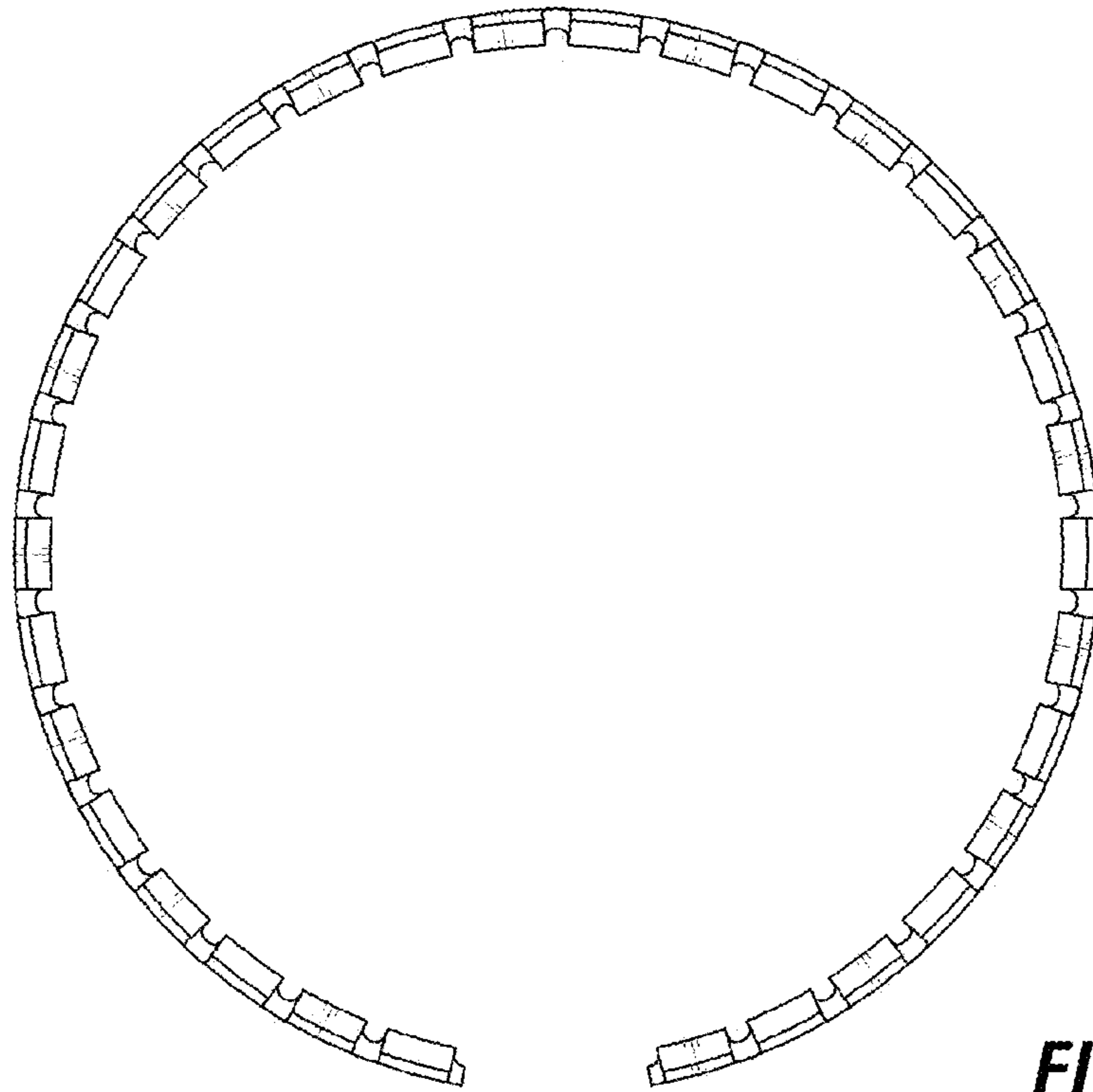


FIG. 3



FIG. 4



FIG. 5



FIG. 6

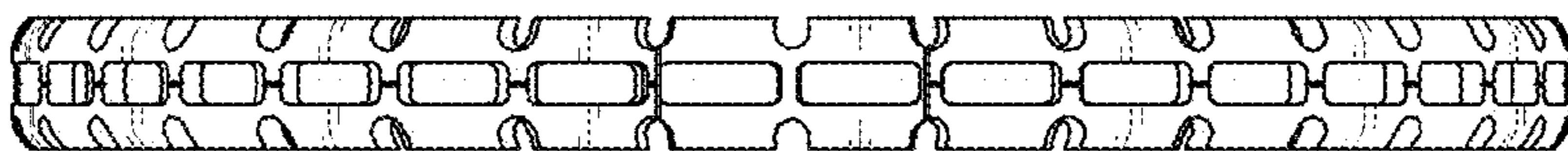


FIG. 7

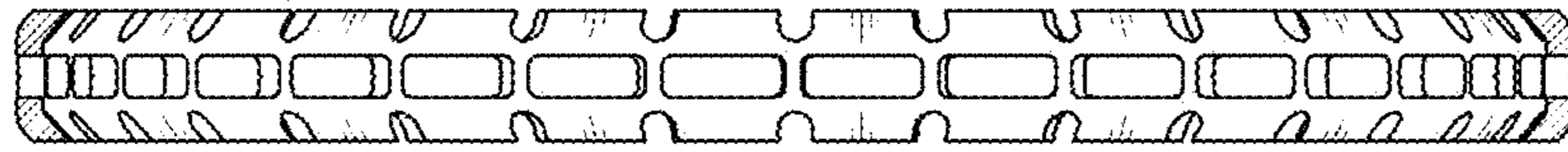


FIG. 8

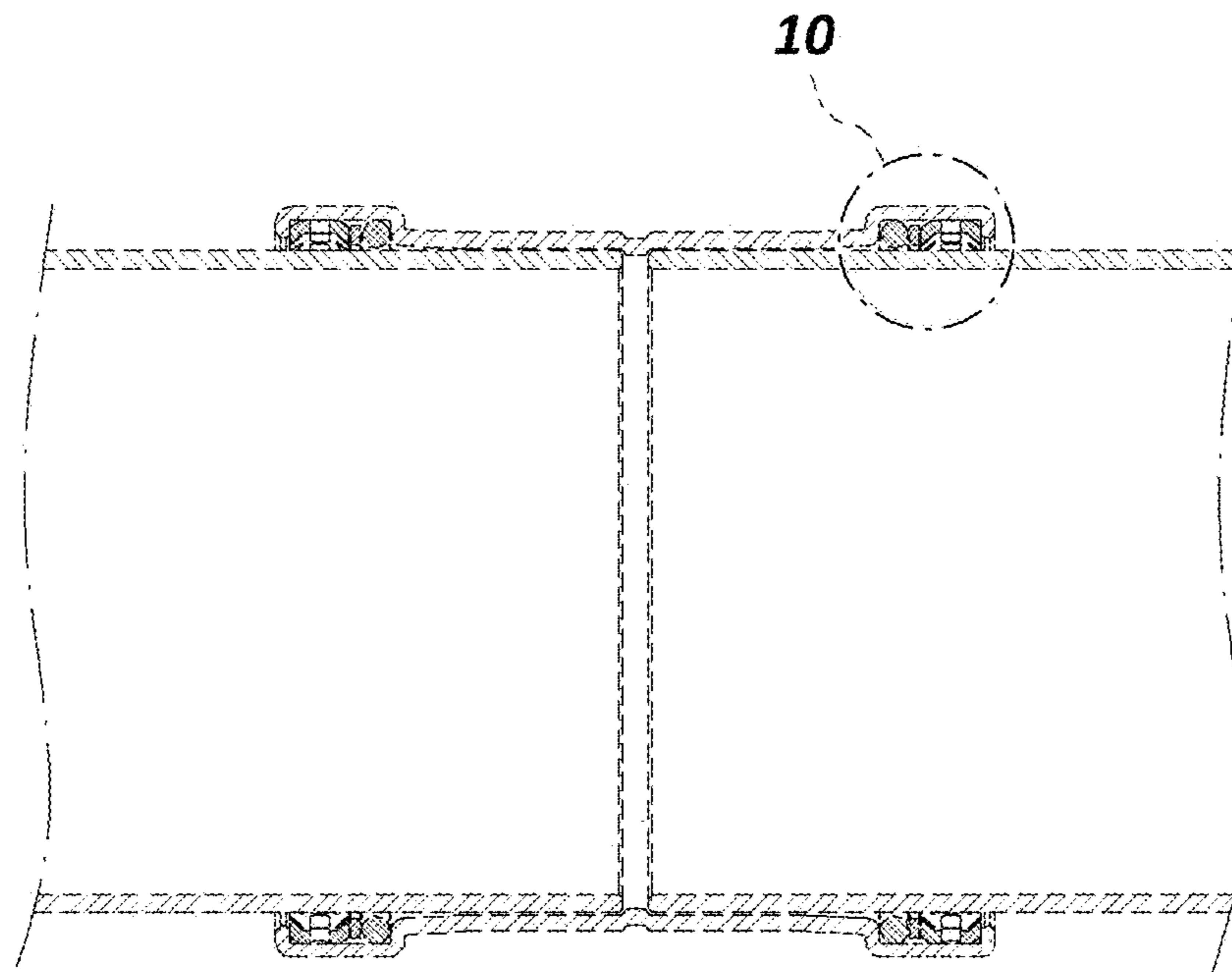


FIG. 9

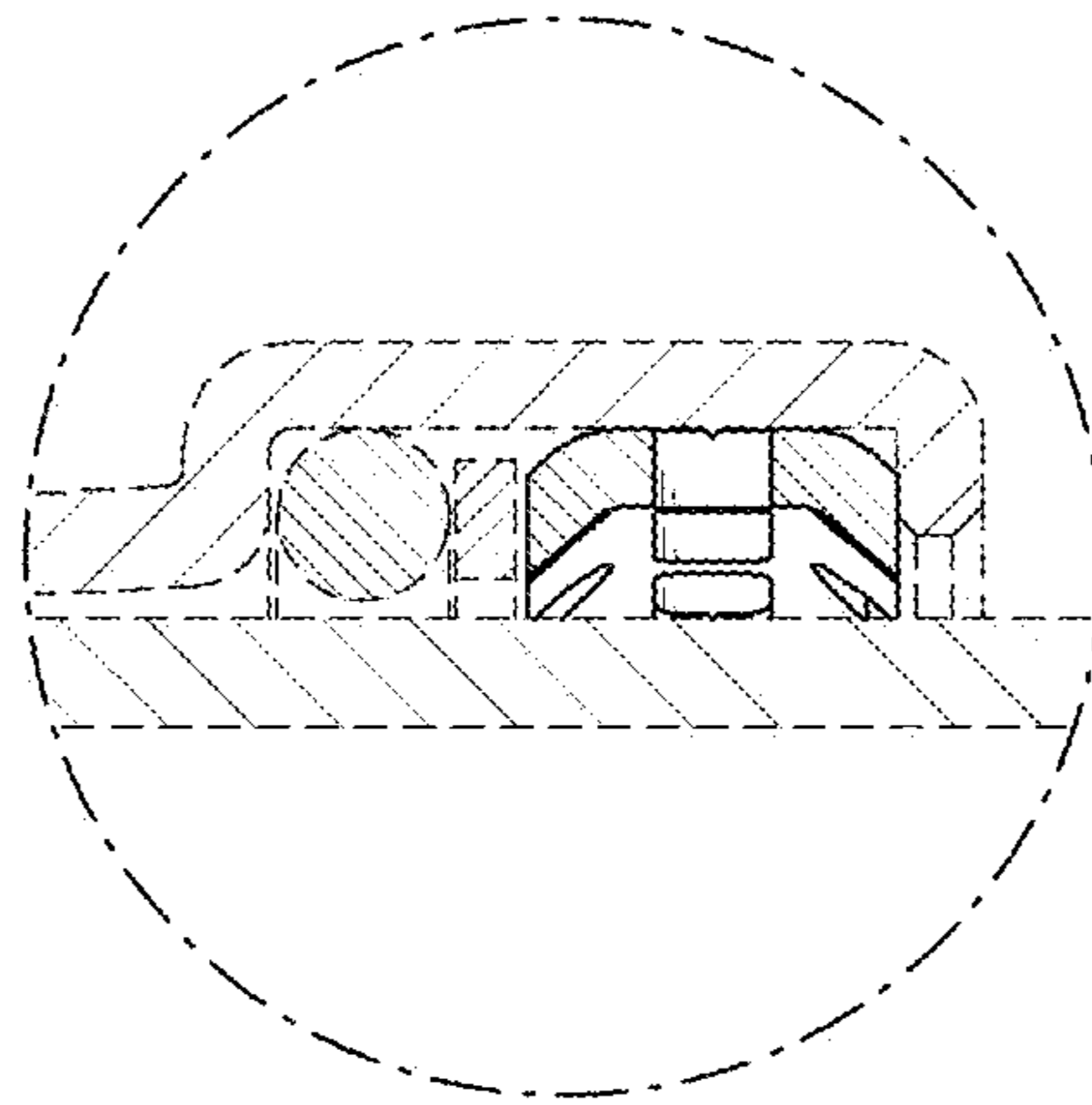


FIG. 10

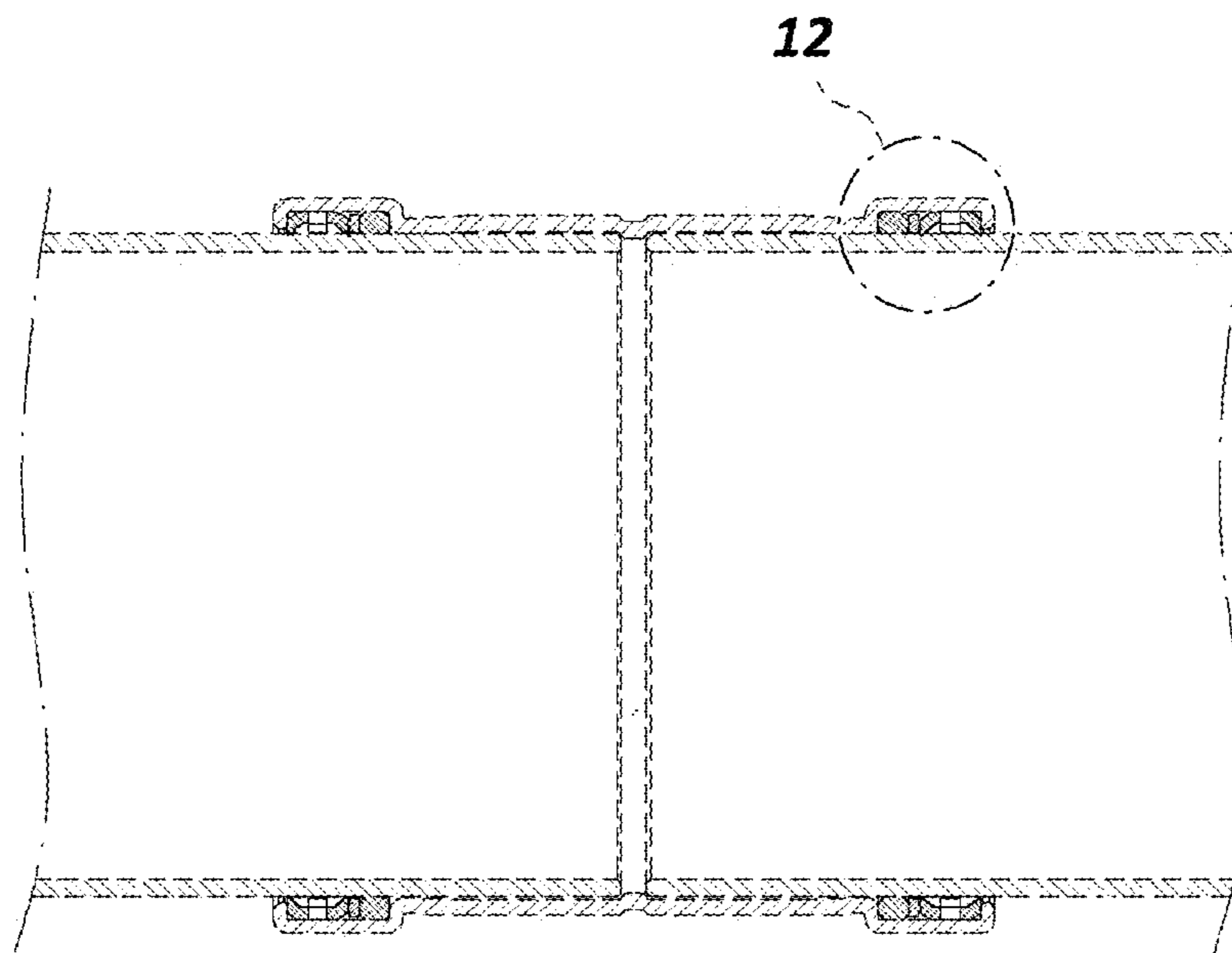


FIG. 11

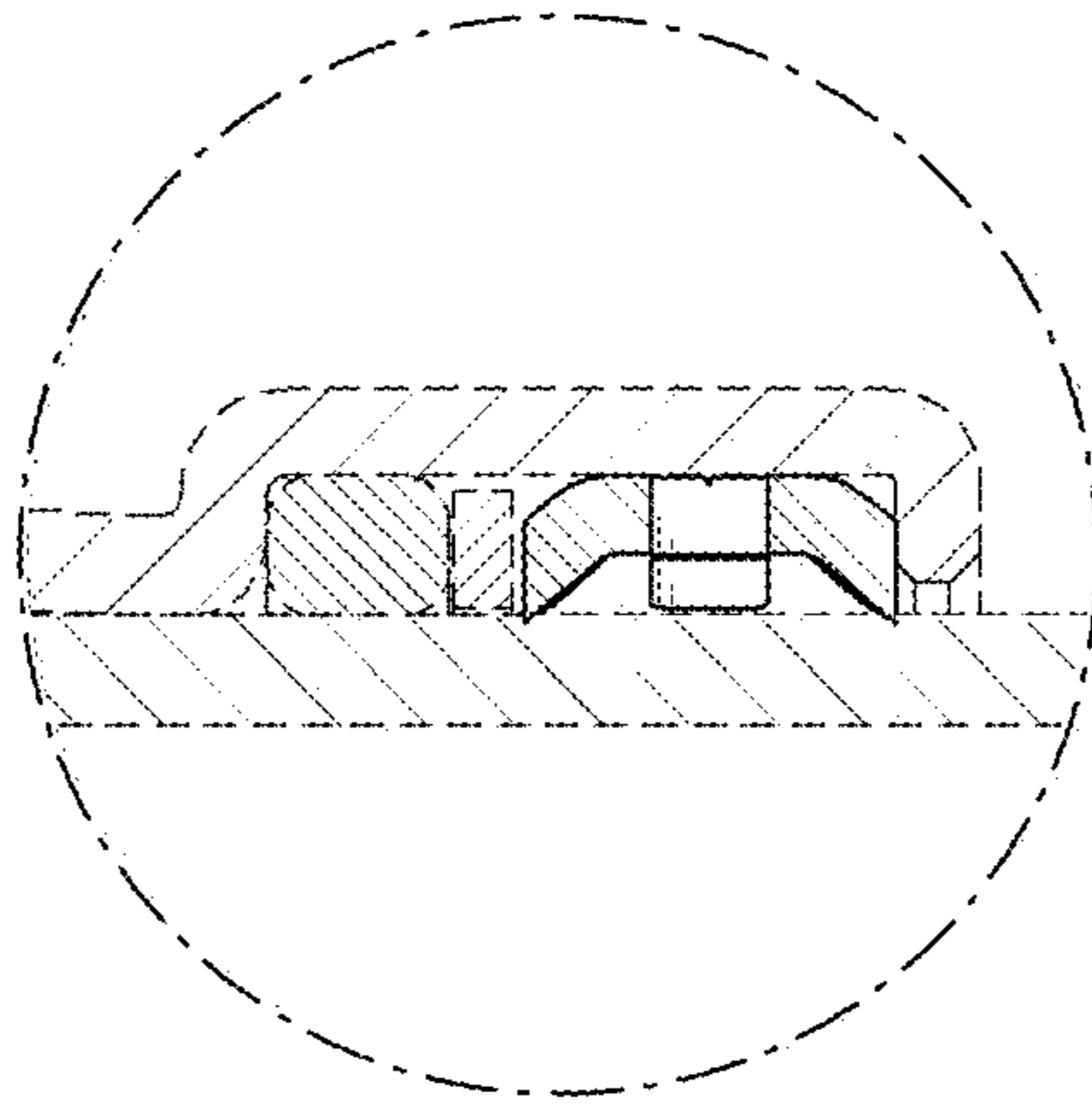


FIG. 12