



US00D778410S

(12) **United States Design Patent** (10) **Patent No.:** **US D778,410 S**
Smith et al. (45) **Date of Patent:** **** Feb. 7, 2017**

(54) **FENESTRATED TIP FOR A SPIKE TAP OF AN IRRIGATION FITTING**

6,773,036 B1 8/2004 King
6,986,532 B1 1/2006 King
7,150,289 B2 12/2006 Mortensen
7,150,476 B2 12/2006 King
D536,925 S * 2/2007 Macler D7/387
(Continued)

(71) Applicants: **Duane K. Smith**, St. Charles, MO (US); **Thomas A. King**, Ballwin, MO (US); **Scott L. Blankley**, Wildwood, MO (US)

FOREIGN PATENT DOCUMENTS

(72) Inventors: **Duane K. Smith**, St. Charles, MO (US); **Thomas A. King**, Ballwin, MO (US); **Scott L. Blankley**, Wildwood, MO (US)

WO WO 2016/081877 A1 5/2016

(**) Term: **14 Years**

OTHER PUBLICATIONS

(21) Appl. No.: **29/509,921**

Perforador Panther, <http://prakoragro.com/productos/perforador/perforador-panter-tena-7/>, 4 pages, printed Aug. 24, 2016.

(22) Filed: **Nov. 21, 2014**

Primary Examiner — Eric Goodman
Assistant Examiner — Amy Wierenga
(74) *Attorney, Agent, or Firm* — Harness, Dickey & Pierce, P.L.C.

(51) **LOC (10) Cl.** **23-01**

(52) **U.S. Cl.**
USPC **D23/259**

(57) **CLAIM**

(58) **Field of Classification Search**
USPC D8/1, 391–393; D24/152, 176, 180, 184; D28/65; D23/213–214, 217, 233, 249, D23/259, 260, 262
CPC F16L 37/54; F16B 15/00; F16B 15/02; F16B 15/08; B05B 1/00; B05B 1/04; B05B 1/308; B05B 9/01
See application file for complete search history.

The ornamental design for a fenestrated tip for a spike tap of an irrigation fitting, as shown and described.

DESCRIPTION

(56) **References Cited**

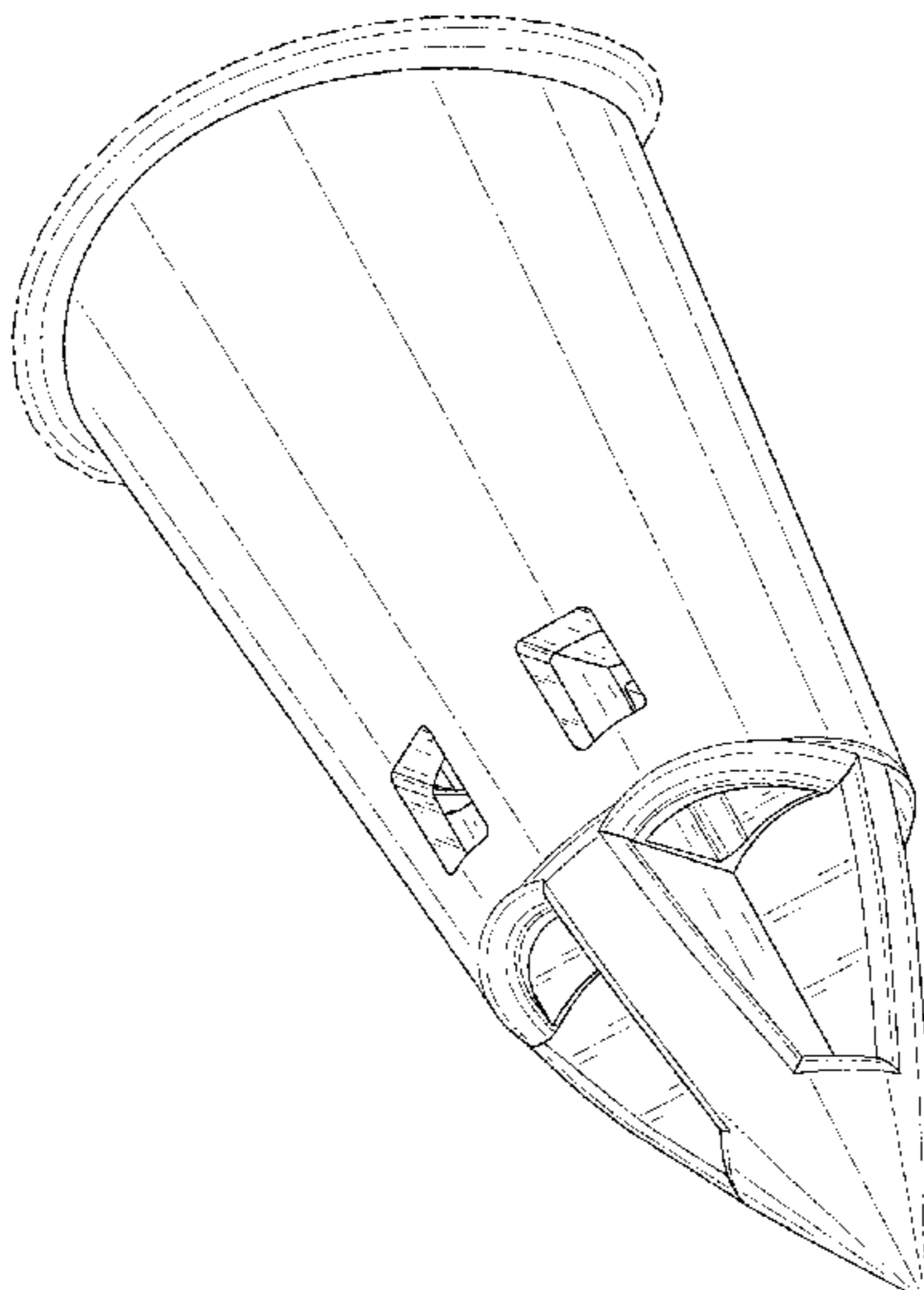
U.S. PATENT DOCUMENTS

2,373,555 A * 4/1945 Folke B05B 1/00 116/DIG. 18
D272,850 S * 2/1984 Kulle D24/112
4,787,557 A * 11/1988 Jackson B05B 15/062 239/200
5,694,972 A 12/1997 King
6,216,723 B1 * 4/2001 King F16L 47/34 137/318
6,484,440 B2 * 11/2002 Brown A01G 7/06 47/57.5

FIG. 1 is a perspective view of an example embodiment of a fenestrated tip for a spike tap of an irrigation fitting in accordance with our new design;
FIG. 2 is a front elevation view thereof;
FIG. 3 is a rear elevation view thereof;
FIG. 4 is a left side view thereof;
FIG. 5 is a right side view thereof;
FIG. 6 is a top plan view thereof;
FIG. 7 is a bottom plan view thereof; and,
FIG. 8 is a perspective view thereof shown in a position of use.

The unevenly dashed lines in the drawings are for purposes of illustrating claim boundary and form no part of the claim. The evenly dashed lines in the drawings depict environmental subject matter that forms no part of the claim.

1 Claim, 7 Drawing Sheets



(56)

References Cited

U.S. PATENT DOCUMENTS

D624,810 S *	10/2010	Vosbikian	D8/391
D638,914 S *	5/2011	Schmuckle	D23/233
D654,988 S *	2/2012	Bloink	D23/259
8,172,276 B1	5/2012	King et al.	
D665,481 S *	8/2012	Bloink	D23/259
D737,952 S *	9/2015	Matsumura	D24/108
D745,699 S *	12/2015	Clarke	D25/38.1
2015/0167884 A1	6/2015	King et al.	
2015/0181820 A1*	7/2015	Crook	A01G 29/00 47/48.5
2015/0300543 A1	10/2015	Boaz et al.	

* cited by examiner

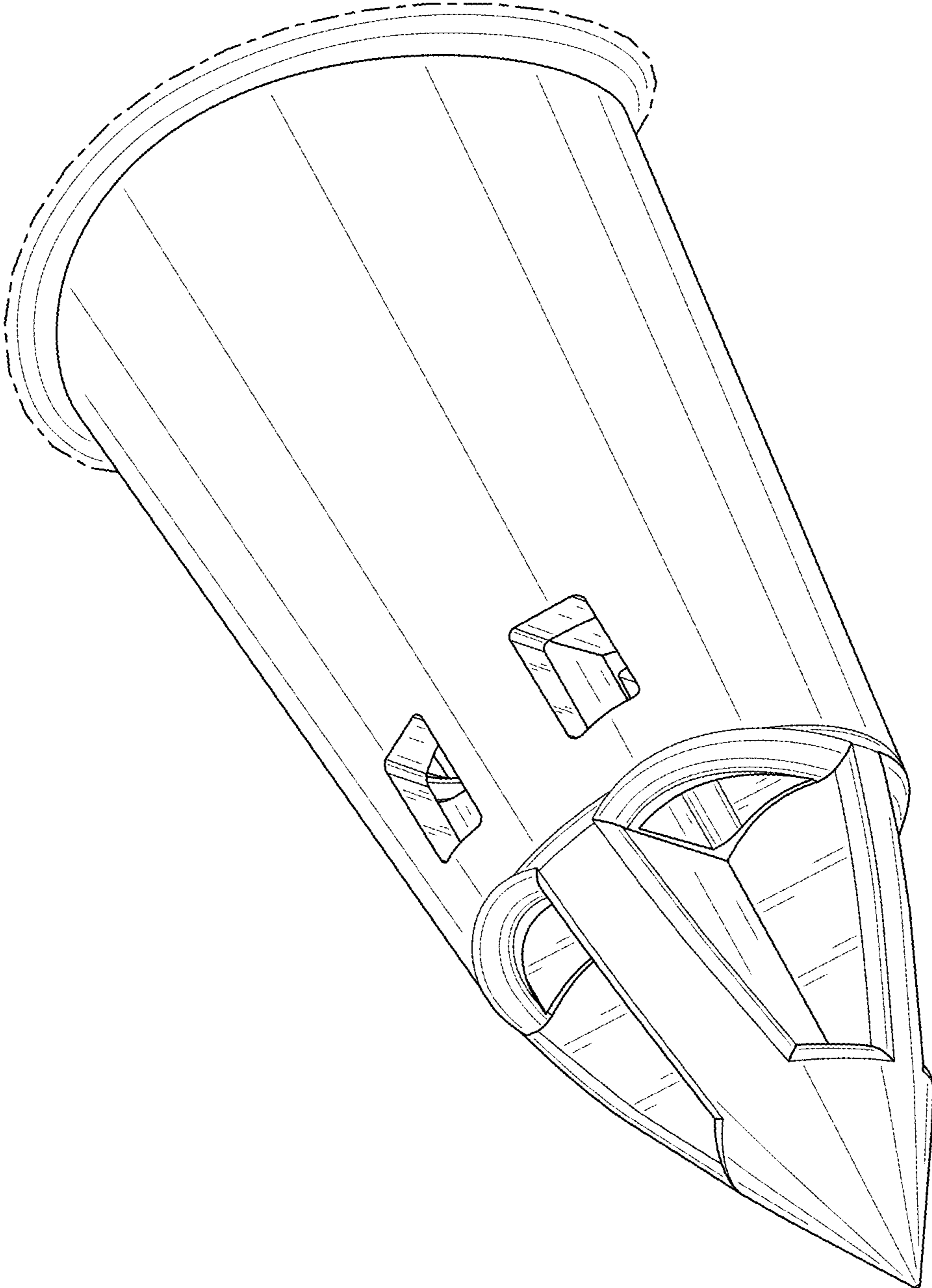


FIG. 1

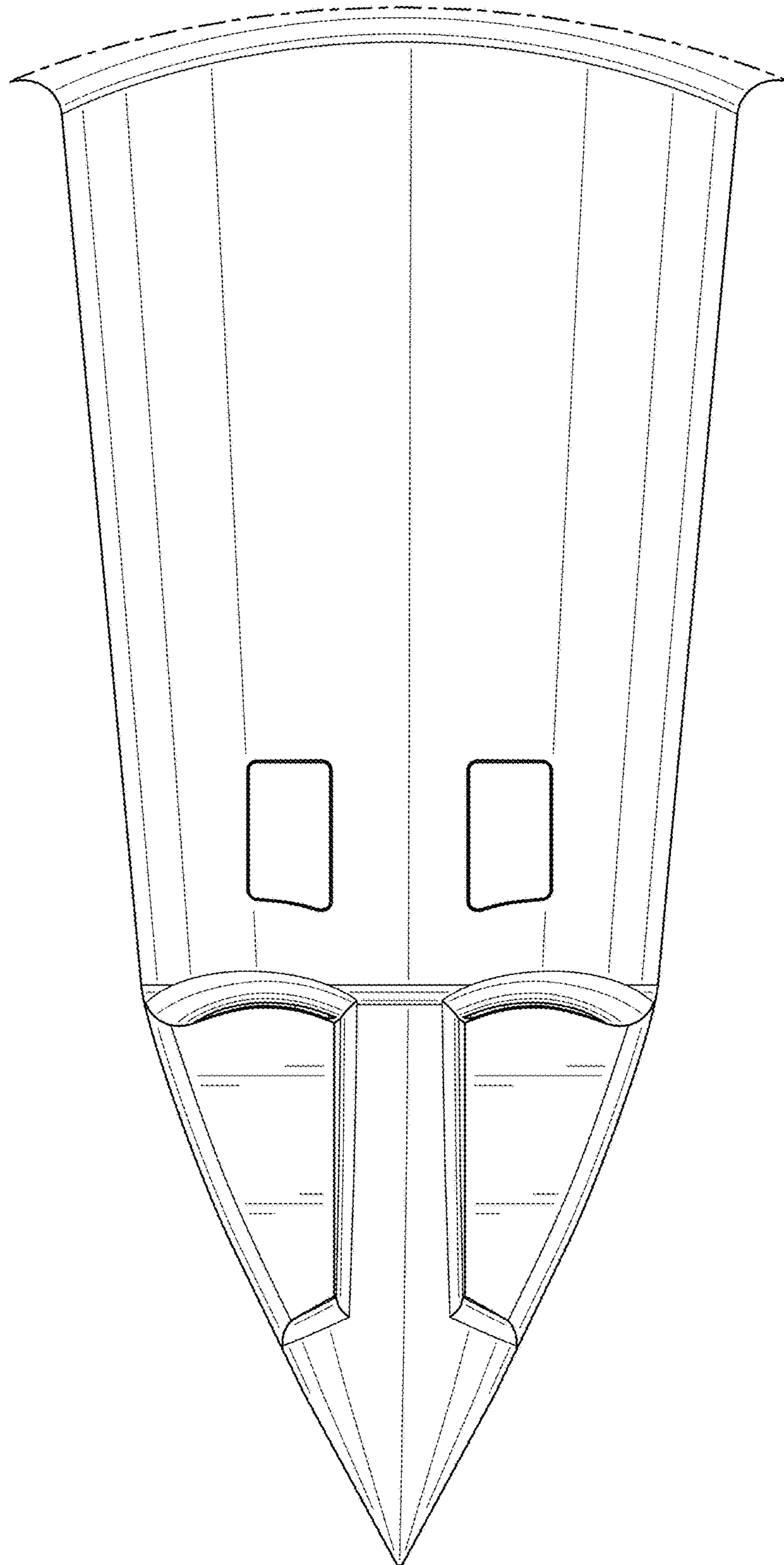


FIG. 2

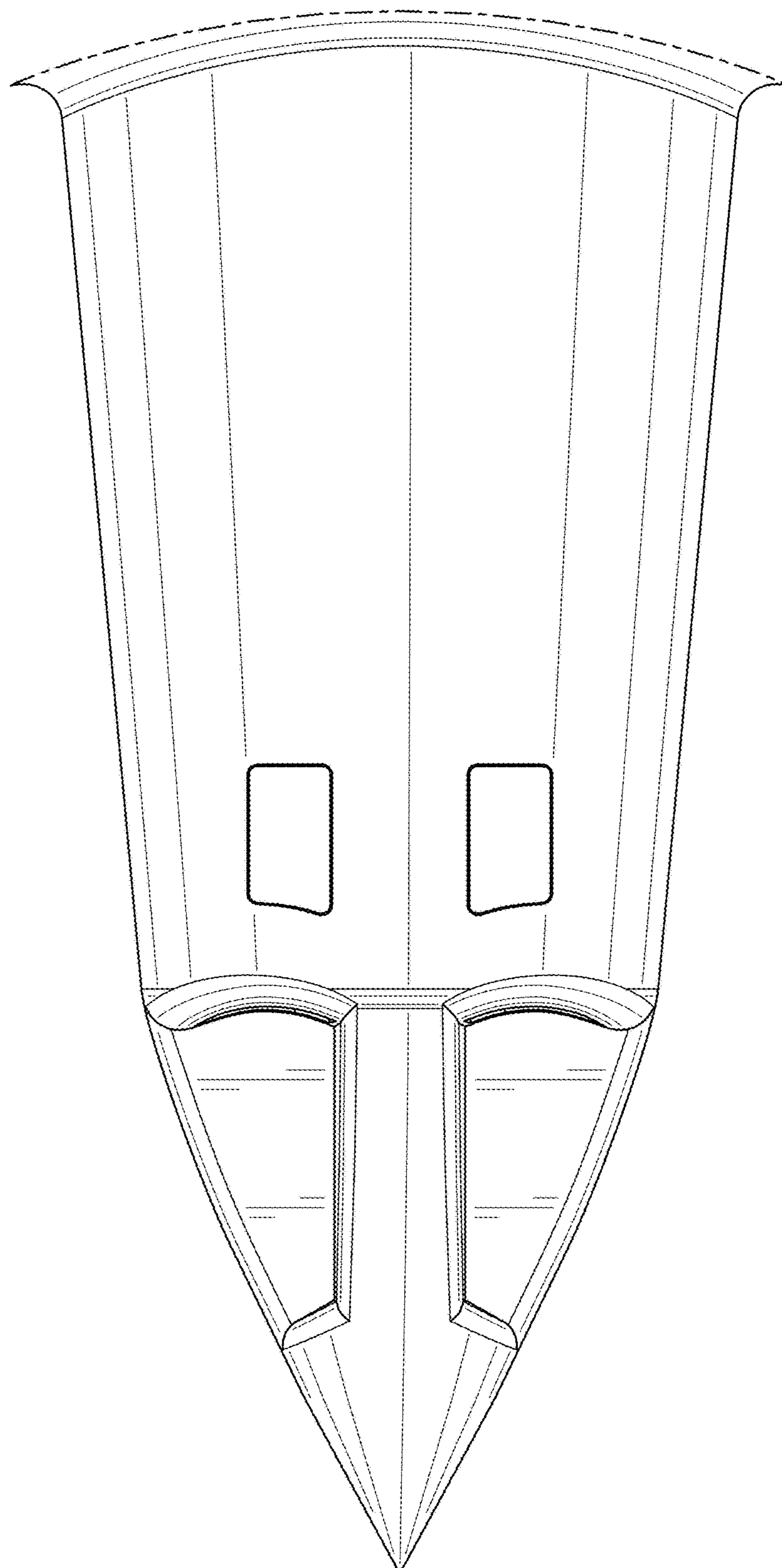


FIG. 3

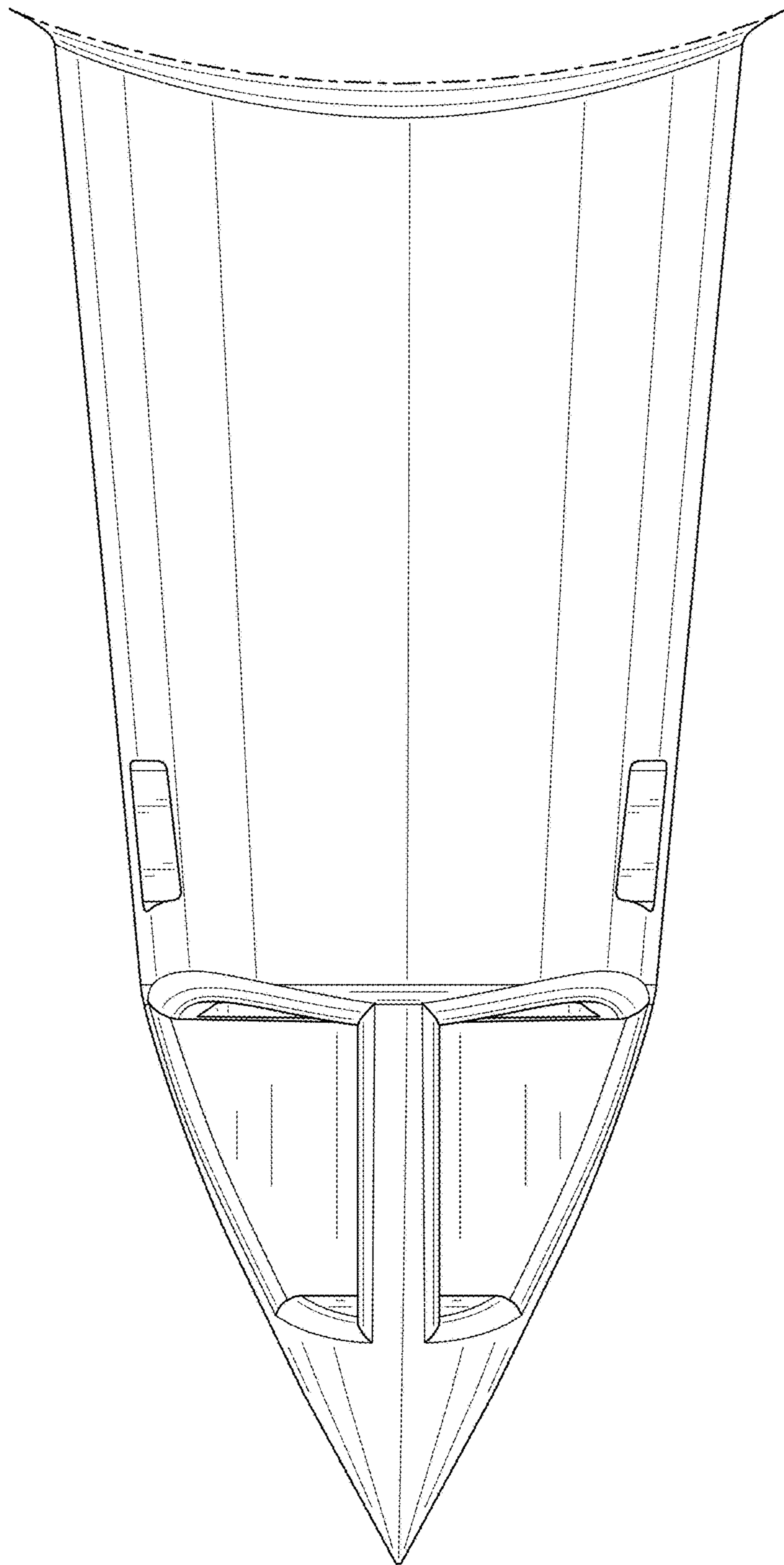


FIG. 4

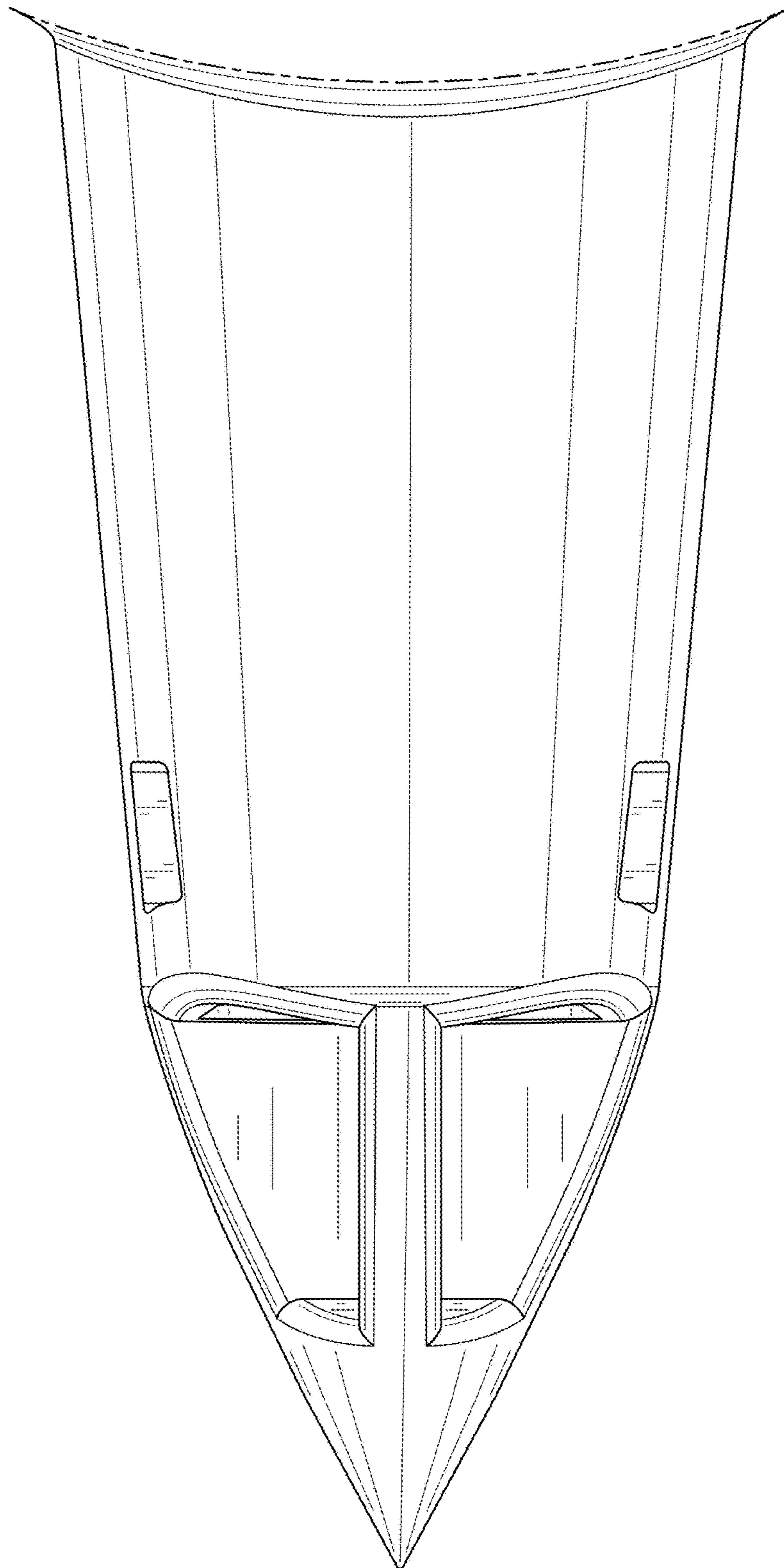


FIG. 5

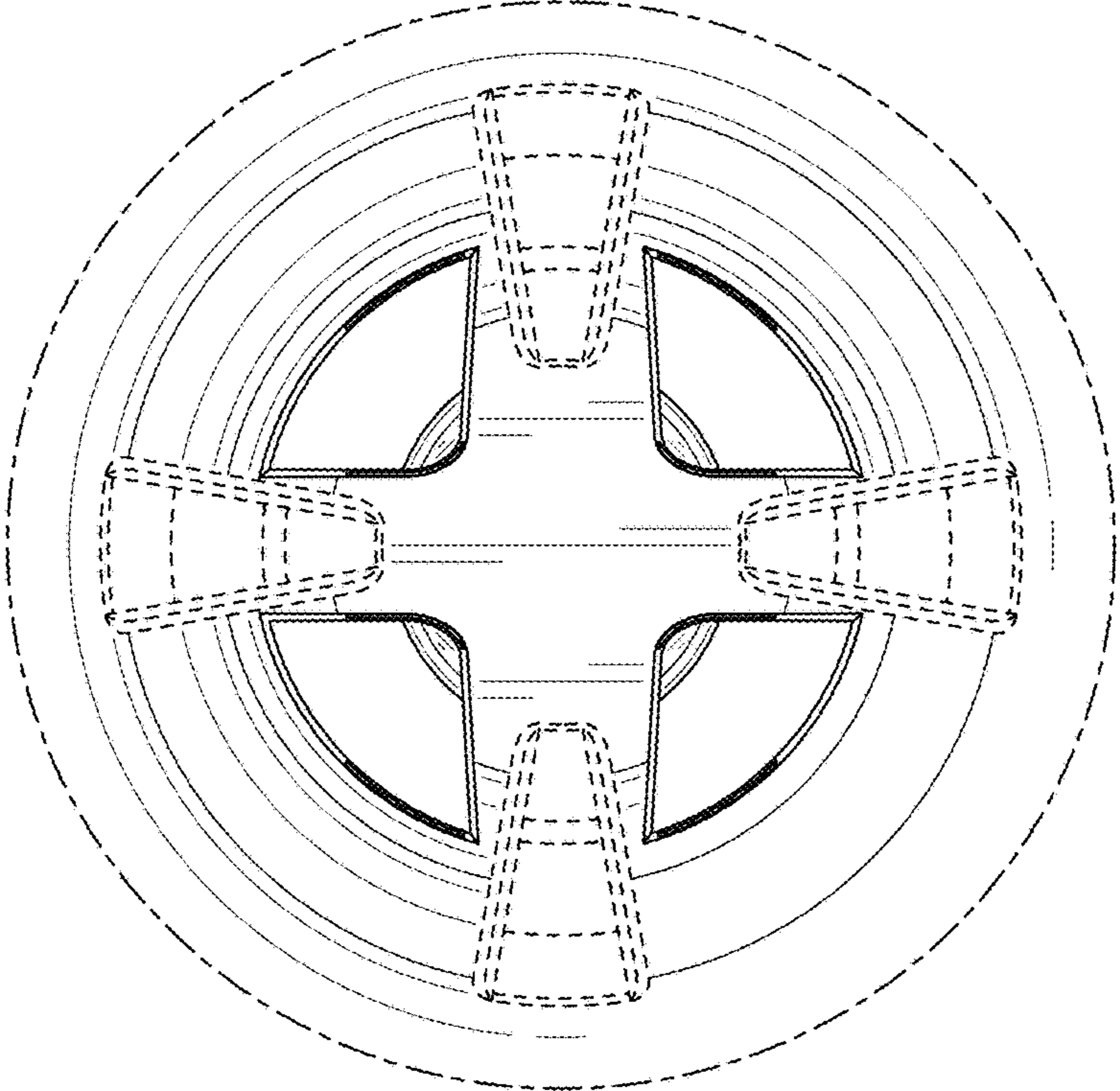


FIG. 6

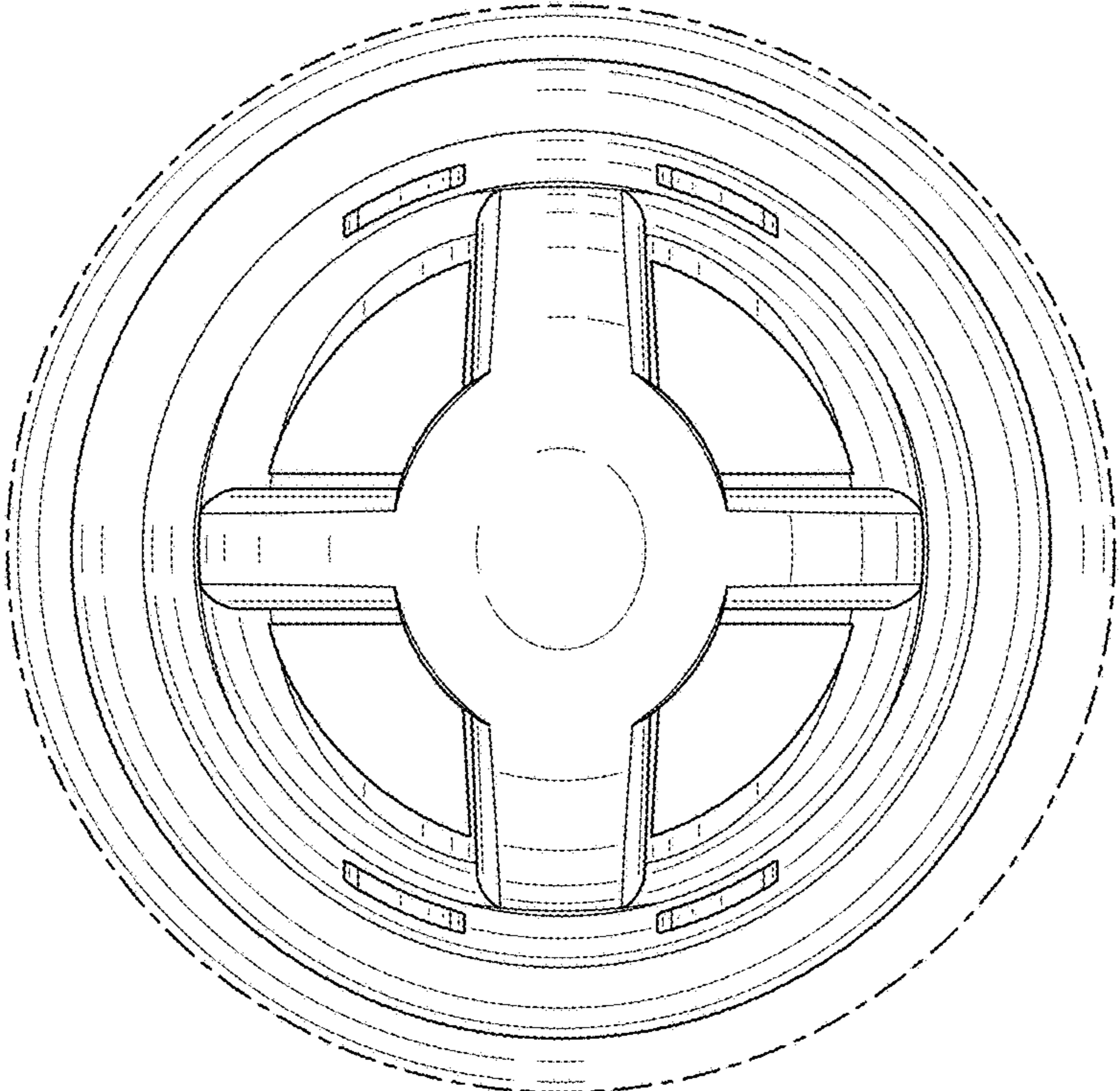


FIG. 7

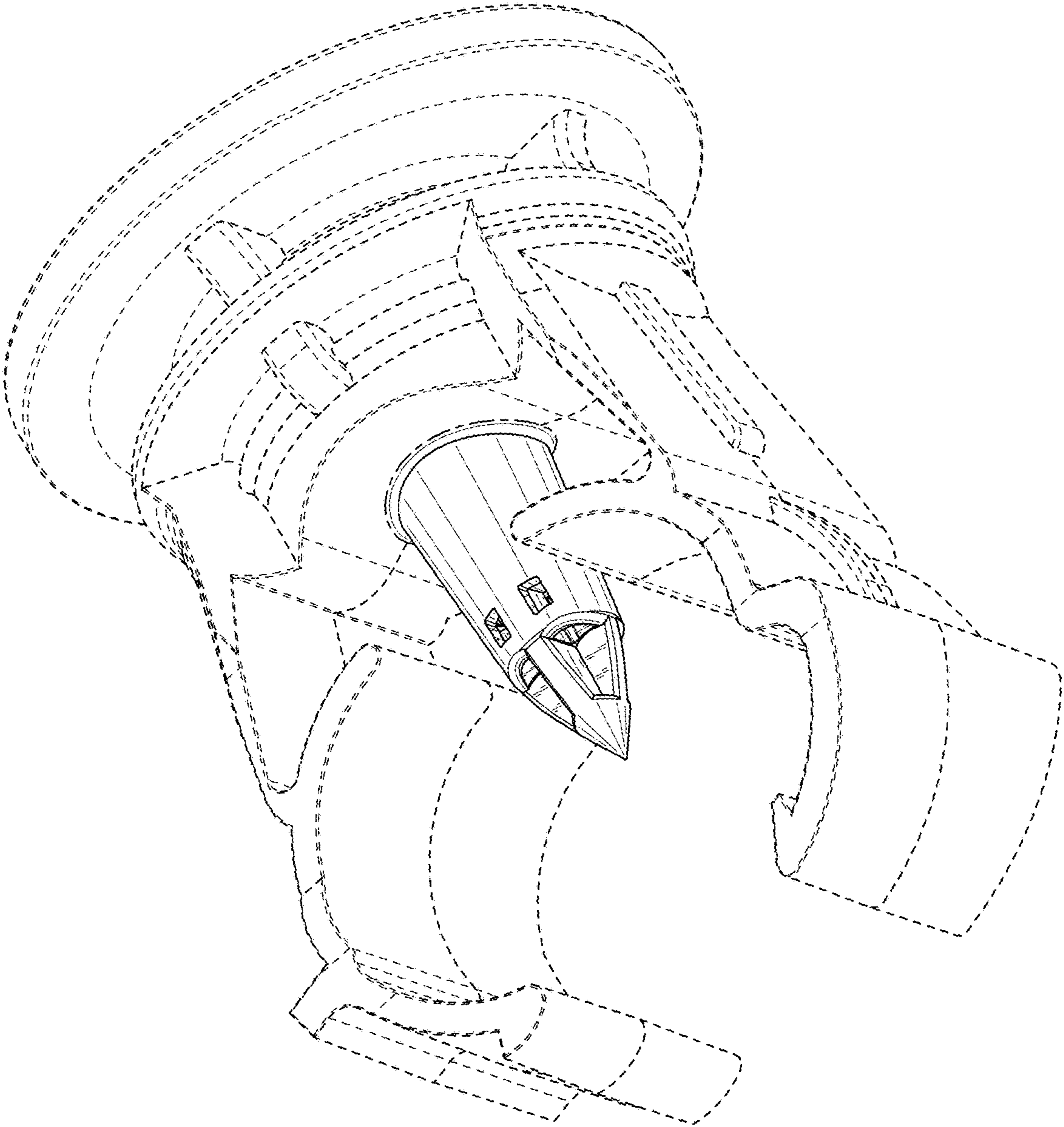


FIG. 8