



US00D778408S

(12) **United States Design Patent**  
**Rexach**

(10) **Patent No.:** **US D778,408 S**

(45) **Date of Patent:** **\*\* Feb. 7, 2017**

(54) **FAUCET**

(71) Applicant: **Kohler Co.**, Kohler, WI (US)

(72) Inventor: **Rafael Alfredo Rexach**, Sheboygan, WI (US)

(73) Assignee: **KOHLER CO.**, Kohler, WI (US)

(\*\*) Term: **15 Years**

(21) Appl. No.: **29/565,914**

(22) Filed: **May 25, 2016**

**Related U.S. Application Data**

(62) Division of application No. 29/519,943, filed on Mar. 9, 2015, now Pat. No. Des. 767,722.

(51) **LOC (10) Cl.** ..... **23-01**

(52) **U.S. Cl.**  
USPC ..... **D23/250**

(58) **Field of Classification Search**

USPC ..... D23/238-243, 249-250, 252, 254-255, D23/257, 253

CPC ..... E03C 1/04; E03C 1/0401; E03C 1/0402; E03C 1/0404; F16K 31/602; F16K 31/605; F16K 31/607

See application file for complete search history.

(56) **References Cited**

**U.S. PATENT DOCUMENTS**

|            |         |                    |
|------------|---------|--------------------|
| D223,799 S | 6/1972  | Jensen             |
| D282,197 S | 1/1986  | Hu                 |
| D466,987 S | 12/2002 | Smith              |
| D503,217 S | 3/2005  | Aubry              |
| D530,790 S | 10/2006 | Kohler, Jr. et al. |

|            |         |                |
|------------|---------|----------------|
| D534,619 S | 1/2007  | Garner         |
| D534,993 S | 1/2007  | Kirar          |
| D563,192 S | 3/2008  | Barry          |
| D588,235 S | 3/2009  | Rexach         |
| D598,072 S | 8/2009  | Zetsche        |
| D602,570 S | 10/2009 | Lammel         |
| D615,162 S | 5/2010  | Pan            |
| D628,277 S | 11/2010 | Montgomery     |
| D645,941 S | 9/2011  | Ando           |
| D689,987 S | 9/2013  | Kington et al. |
| D720,432 S | 12/2014 | Hundley et al. |

*Primary Examiner* — Robert Delehanty

(74) *Attorney, Agent, or Firm* — Foley & Lardner LLP

(57) **CLAIM**

I claim the ornamental design for a faucet, as shown and described.

**DESCRIPTION**

FIG. 1 is a top, front, right perspective view of an embodiment of the claimed design;

FIG. 2 is a front elevation view thereof;

FIG. 3 is a rear elevation view thereof;

FIG. 4 is a left elevation view thereof;

FIG. 5 is a right elevation view thereof;

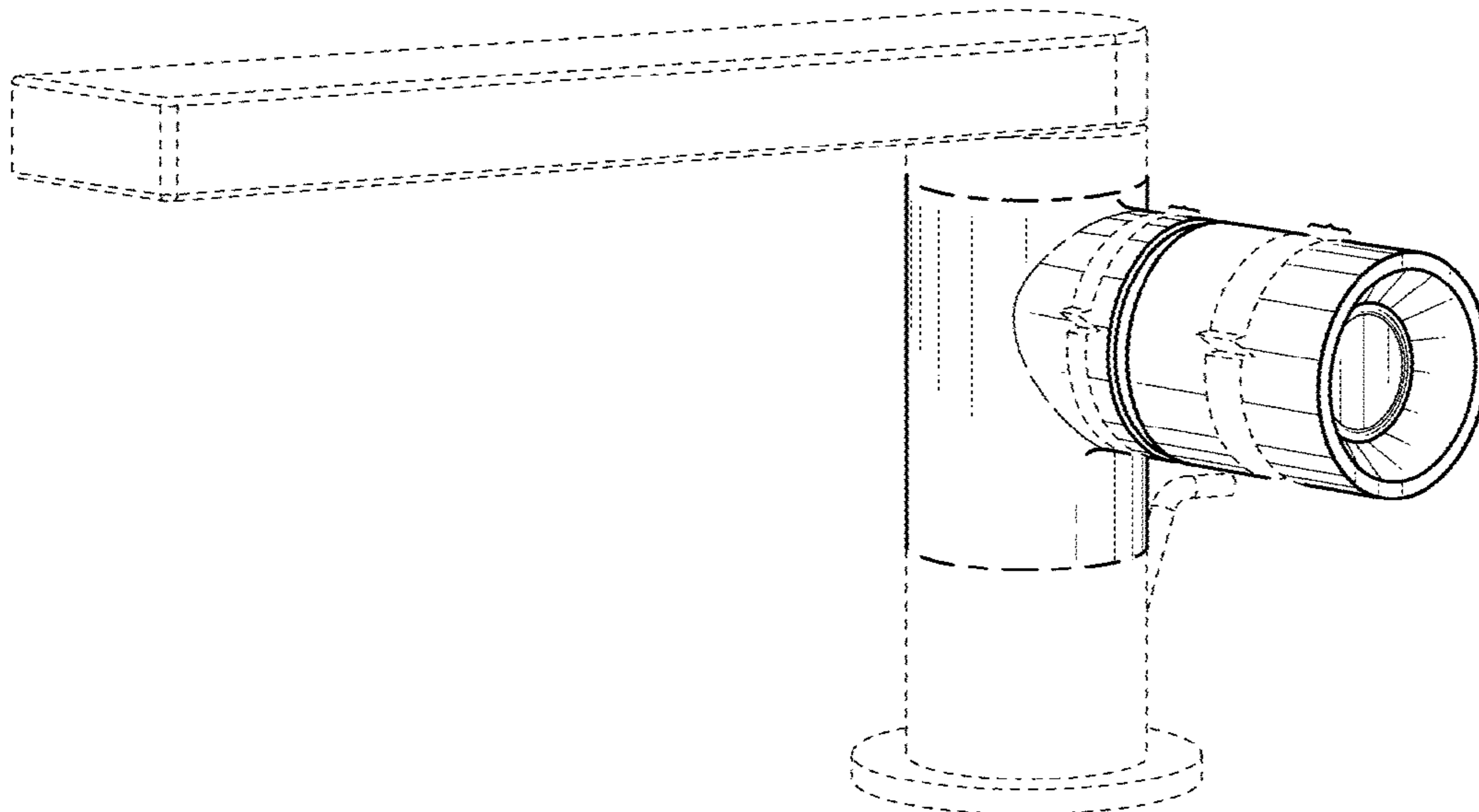
FIG. 6 is a top, plan view thereof; and,

FIG. 7 is a bottom, plan view thereof.

The ornamental design which is claimed is shown in solid lines in the drawings. The broken lines in the drawings are for illustrative purposes only and form no part of the claimed design. Broken lines formed by equal length dashes show unclaimed subject matter. Broken lines formed of unequal length dashes (i.e., dash-dot) define bounds of the claimed design.

Broken away symbols having a jagged element show that no particular length of the portion is claimed.

**1 Claim, 4 Drawing Sheets**



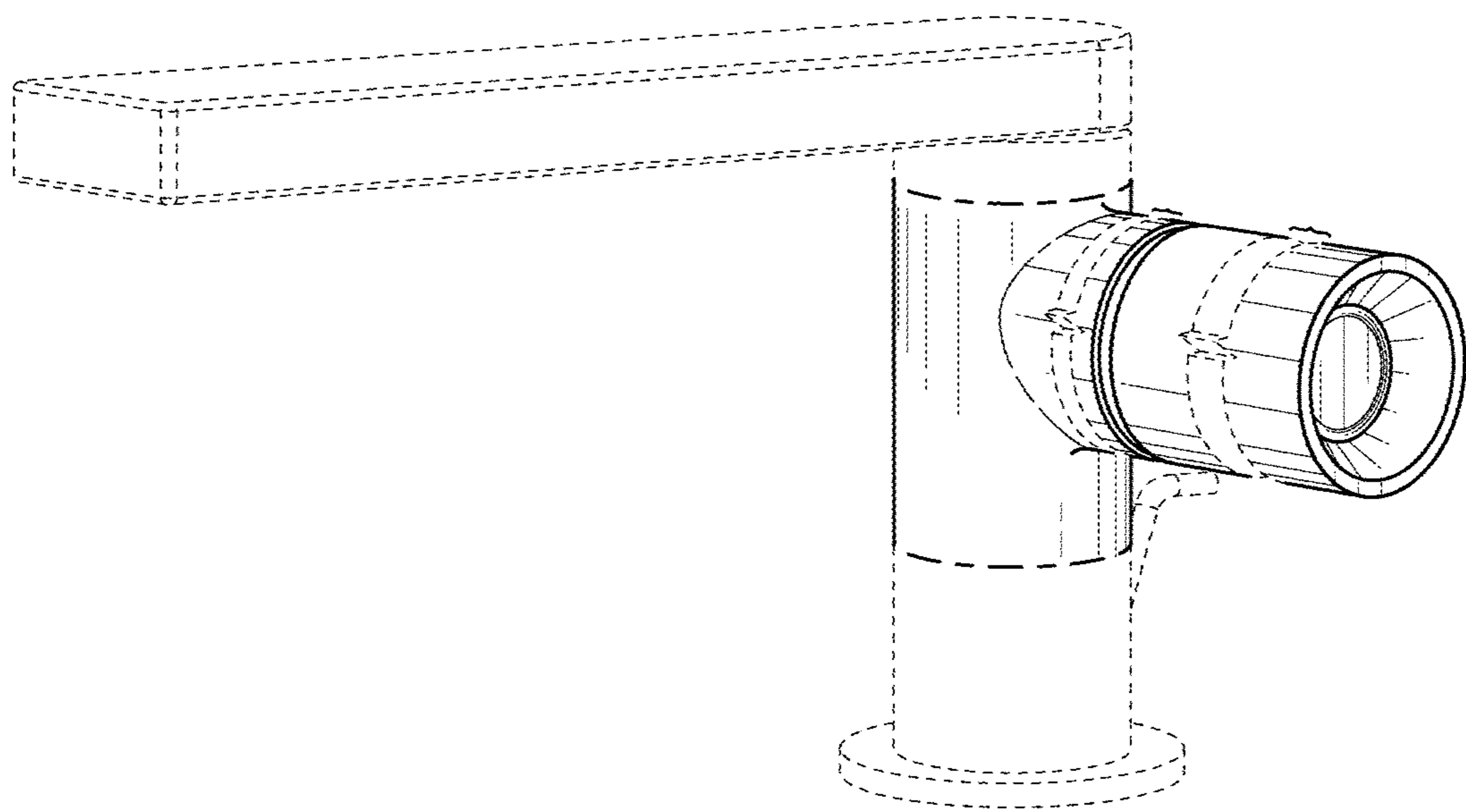


FIG. 1

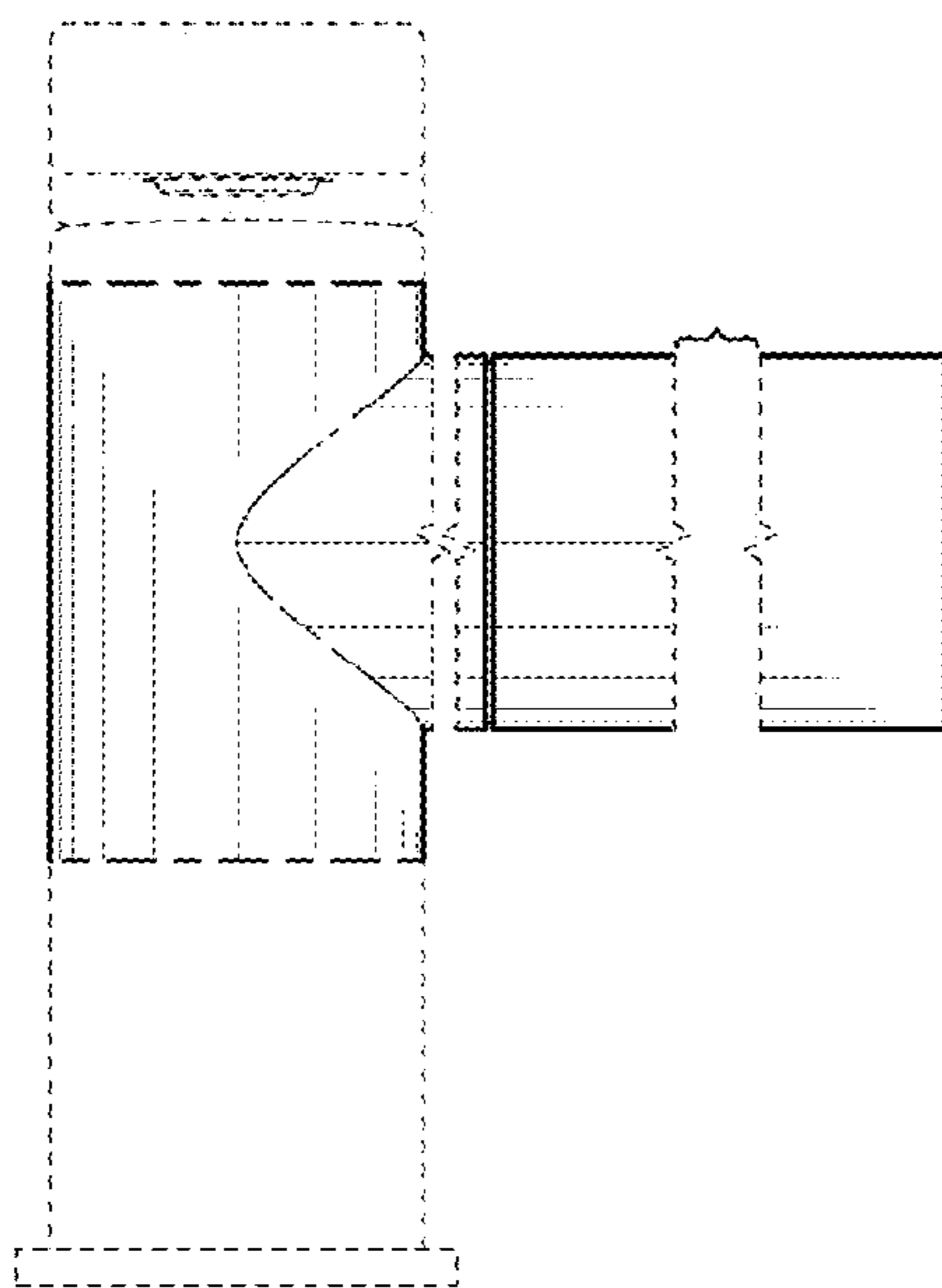


FIG. 2

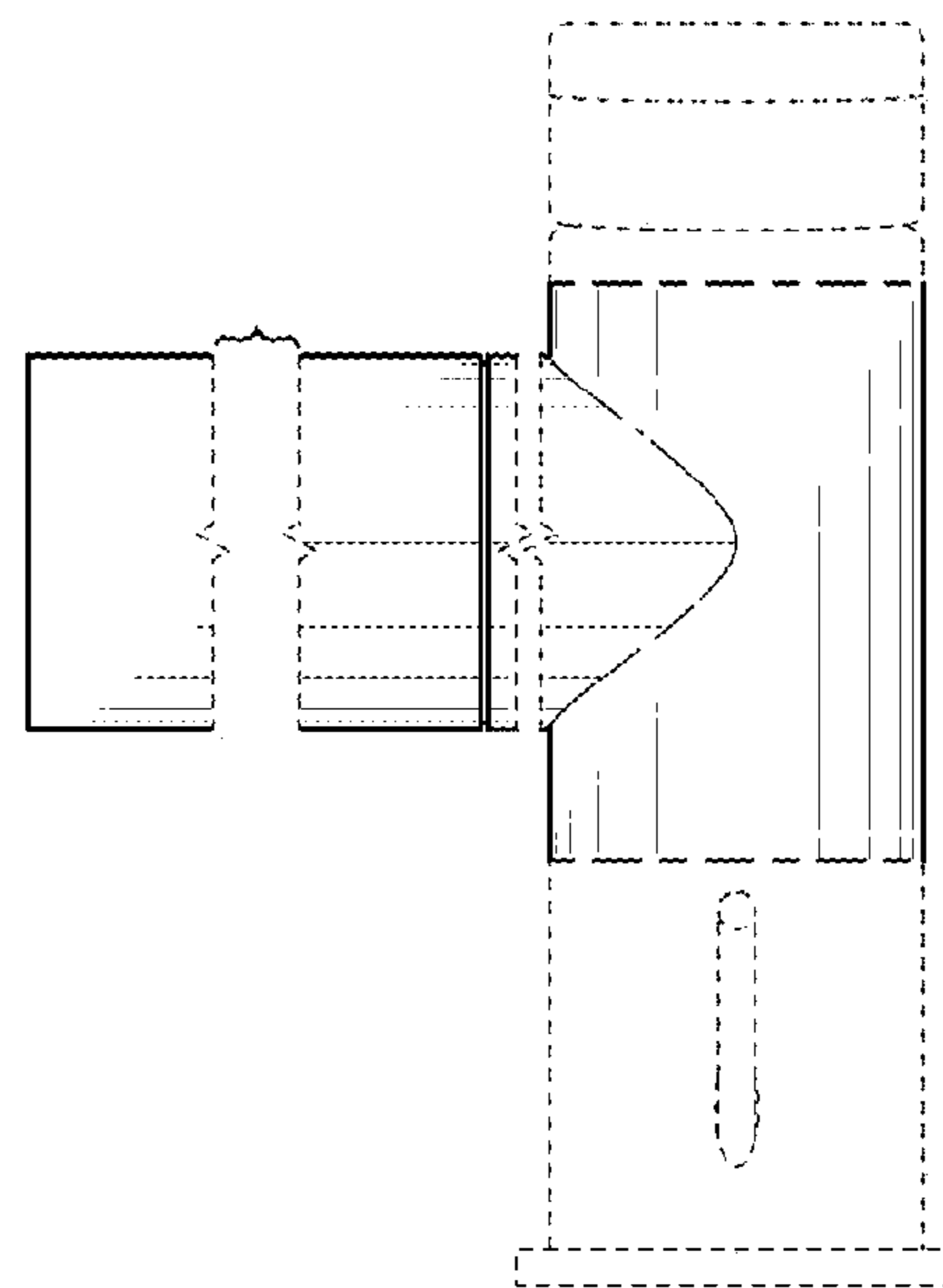


FIG. 3

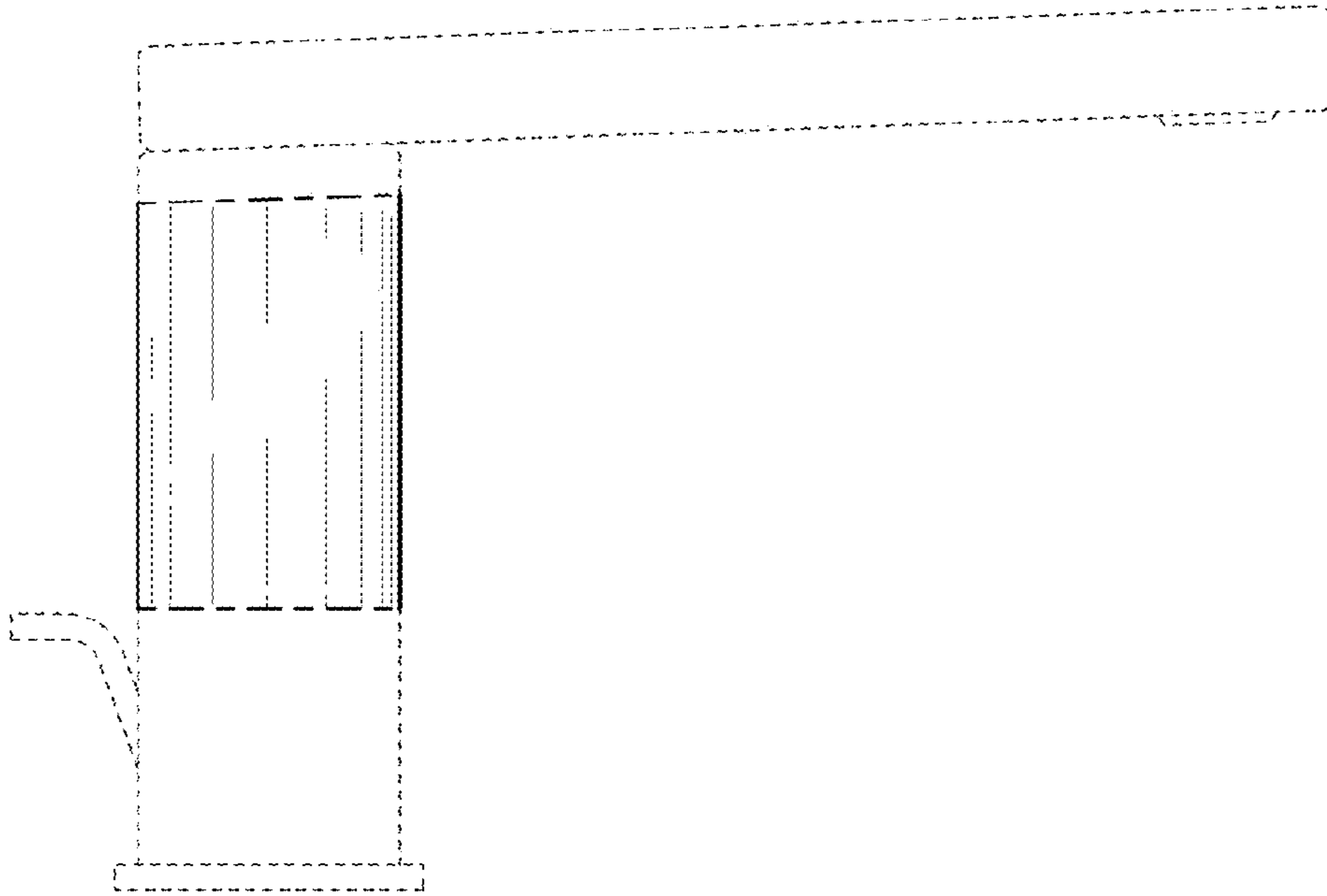


FIG. 4

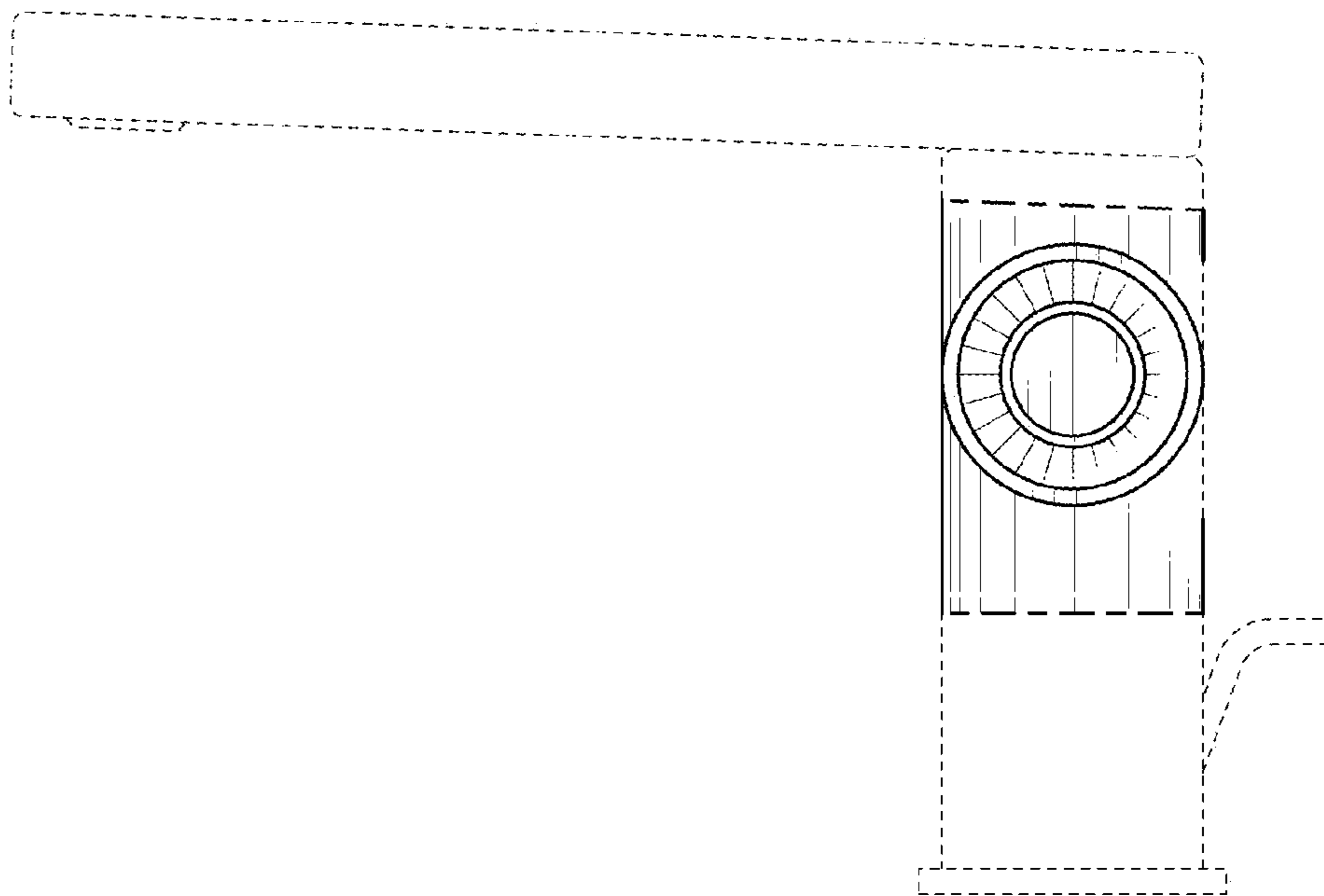


FIG. 5

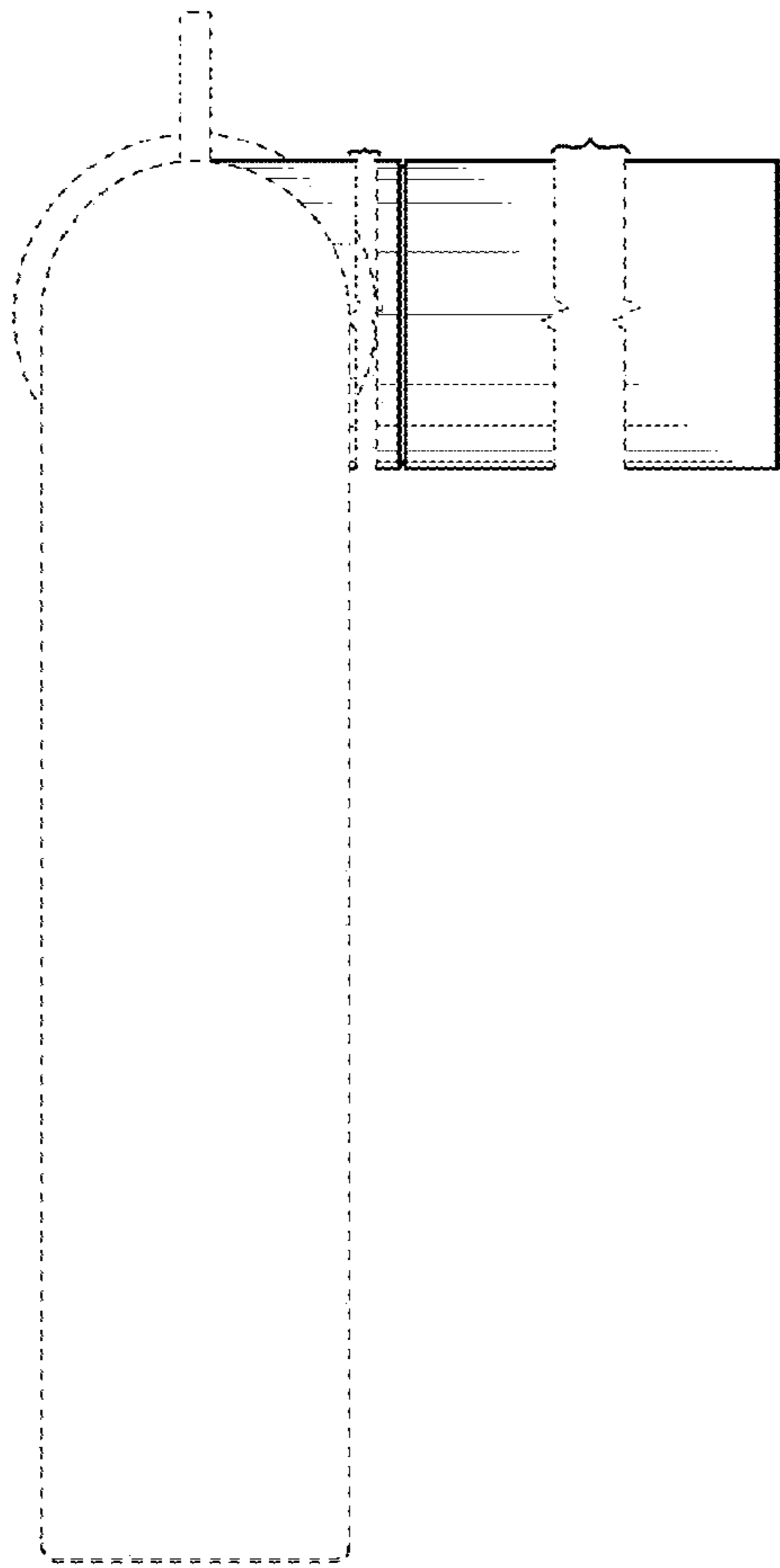


FIG. 6

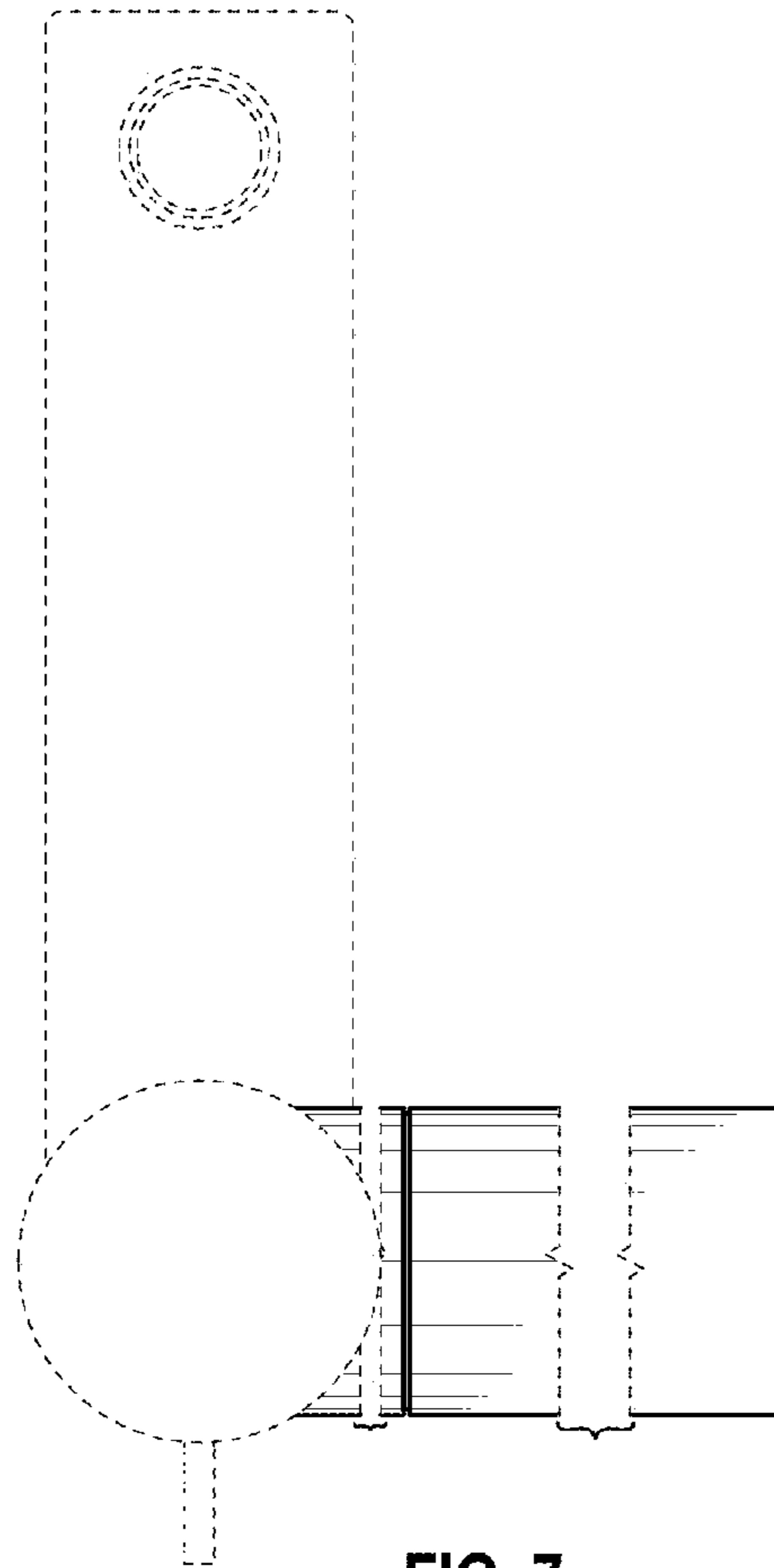


FIG. 7