



US00D778407S

(12) **United States Design Patent** (10) **Patent No.:** **US D778,407 S**  
**Egli** (45) **Date of Patent:** **\*\* Feb. 7, 2017**

(54) **FAUCETS**

FOREIGN PATENT DOCUMENTS

(71) Applicant: **Astra Resources AG**, Egilsau (CH)

WO DM/084 677 10/2014

(72) Inventor: **Werner Egli**, Eglisau (CH)

\* cited by examiner

(73) Assignee: **Astra Resources AG**, Eglisau (CH)

*Primary Examiner* — Robert Delehanty

(\*\*) Term: **15 Years**

(74) *Attorney, Agent, or Firm* — Sughrue Mion, PLLC

(21) Appl. No.: **29/542,587**

(22) Filed: **Oct. 15, 2015**

(57) **CLAIM**

(30) **Foreign Application Priority Data**

The ornamental design for a faucets, as shown and described.

Sep. 8, 2015 (WO) ..... DM/087724

(51) **LOC (10) Cl.** ..... **23-01**

(52) **U.S. Cl.**  
USPC ..... **D23/238**

(58) **Field of Classification Search**  
USPC ..... D23/238–243, 249, 255, 257, 250,  
252, D23/254  
CPC ..... E03C 1/04; E03C 1/0401; E03C 1/0402;  
E03C 1/0404; F16K 31/602; F16K  
31/605; F16K 31/607  
See application file for complete search history.

**DESCRIPTION**

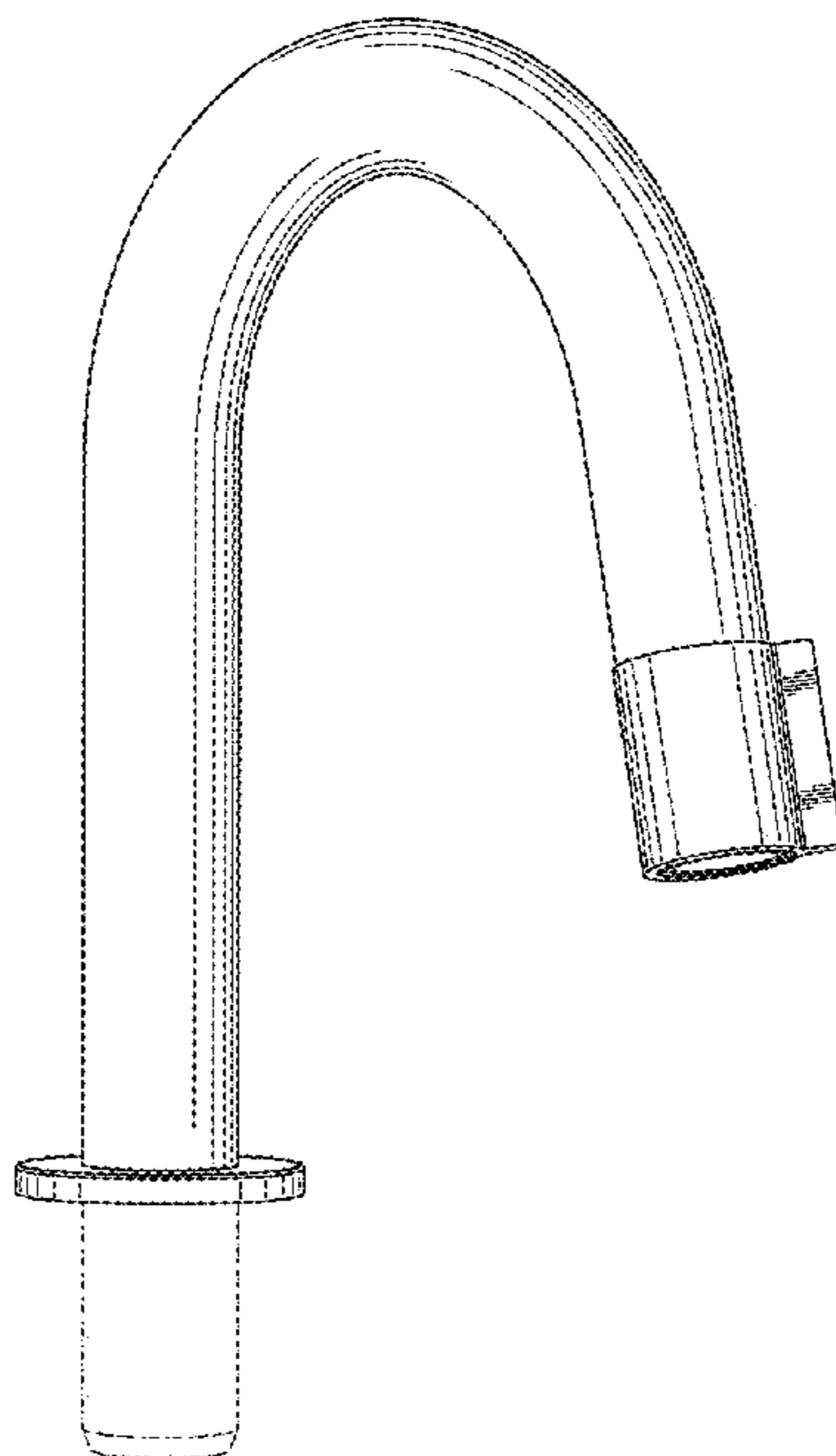
(56) **References Cited**

FIG. 1 is a perspective view of my new design;  
FIG. 2 is a left side elevation view thereof;  
FIG. 3 is a right side elevation view thereof;  
FIG. 4 is a front view thereof;  
FIG. 5 is a rear view thereof;  
FIG. 6 is a top plan view thereof; and,  
FIG. 7 is a bottom view thereof.  
The broken lines show portions of the tire that are not being claimed, and thus form no part of the claimed design.

U.S. PATENT DOCUMENTS

D364,215 S \* 11/1995 Starck ..... D23/242  
D697,588 S \* 1/2014 Schoenherr ..... D23/238  
D704,804 S \* 5/2014 Schoenherr ..... D23/242  
D741,453 S \* 10/2015 Bahler ..... D23/238

**1 Claim, 7 Drawing Sheets**



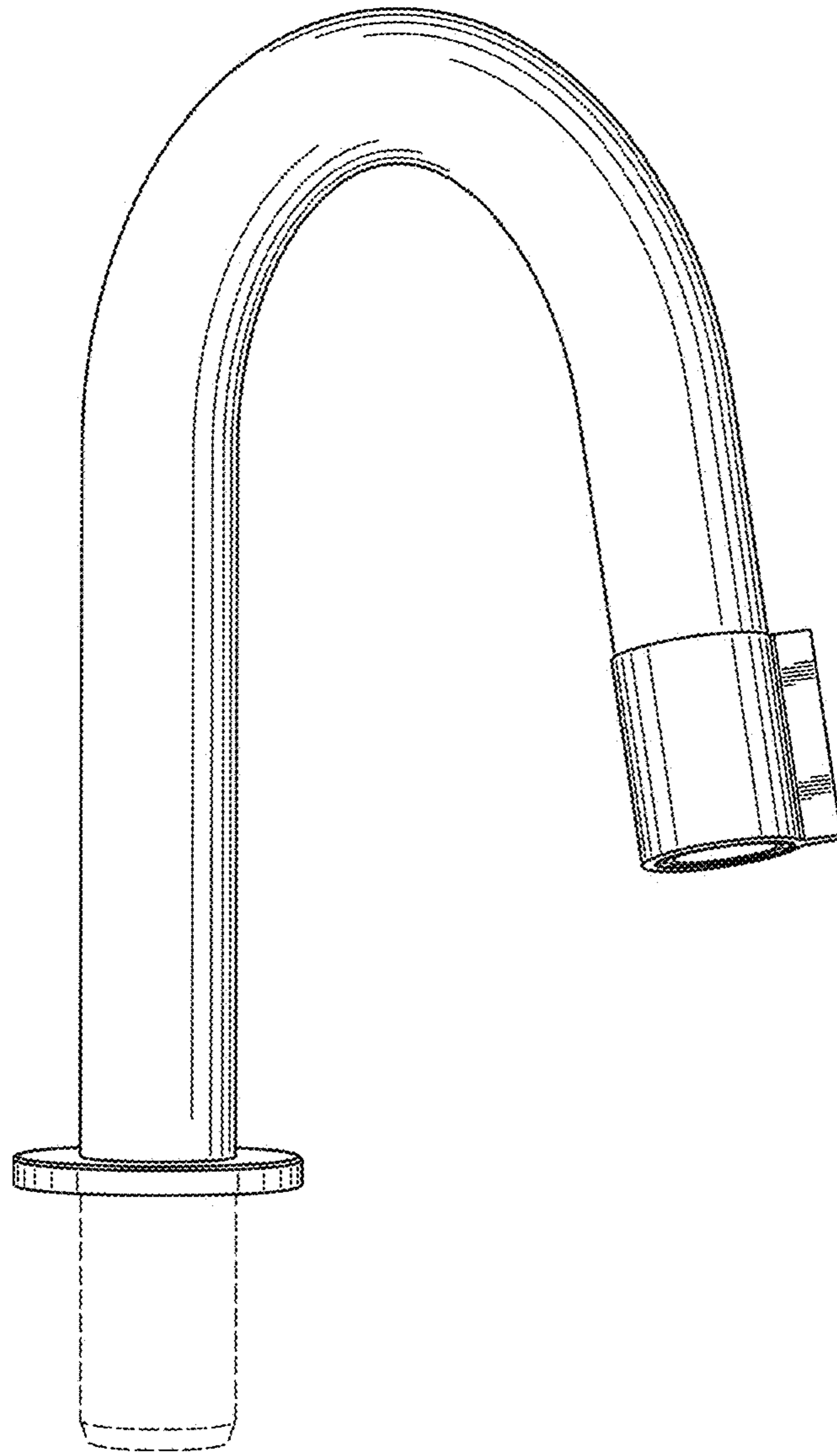


FIG. 1

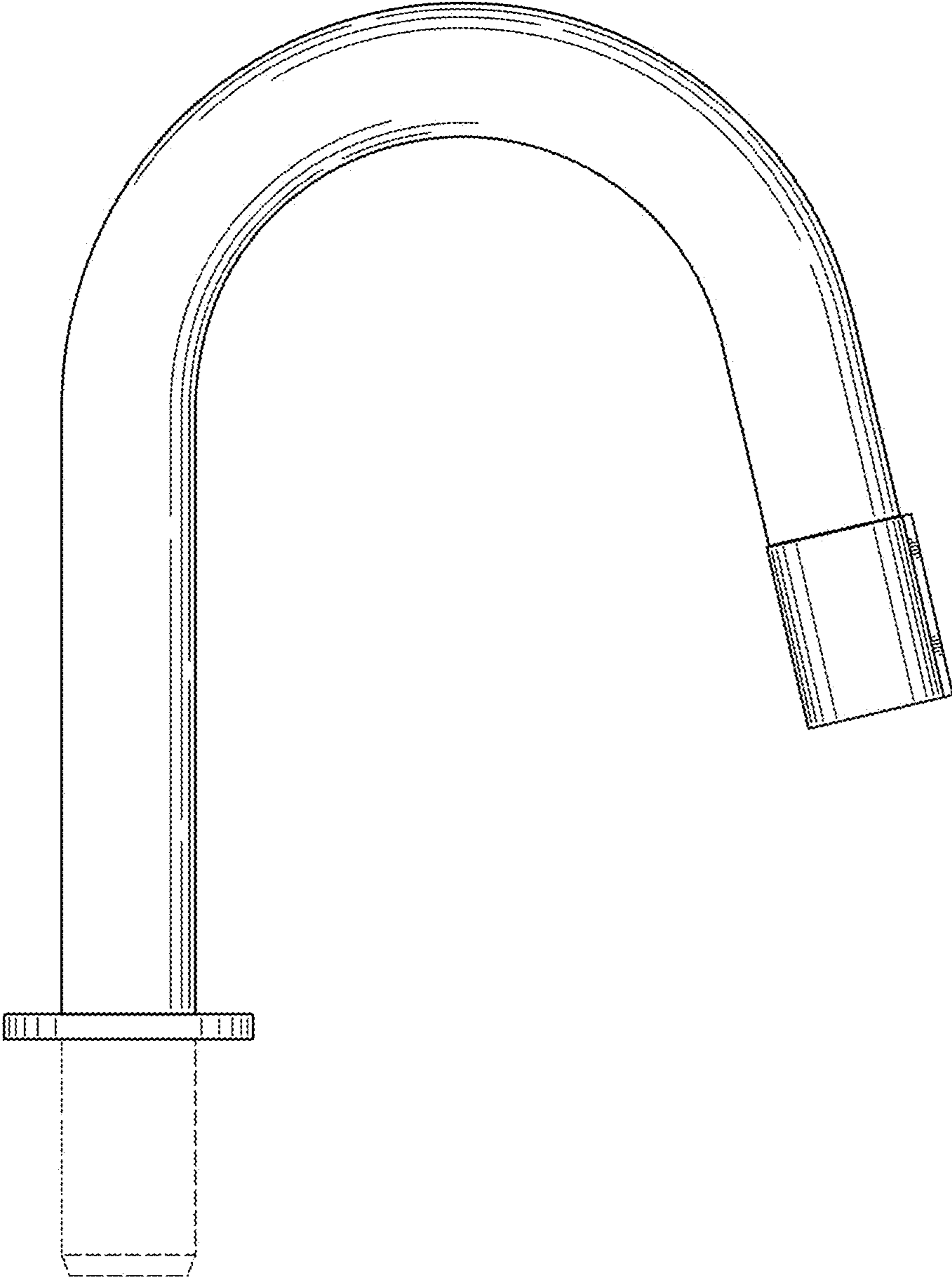


FIG. 2

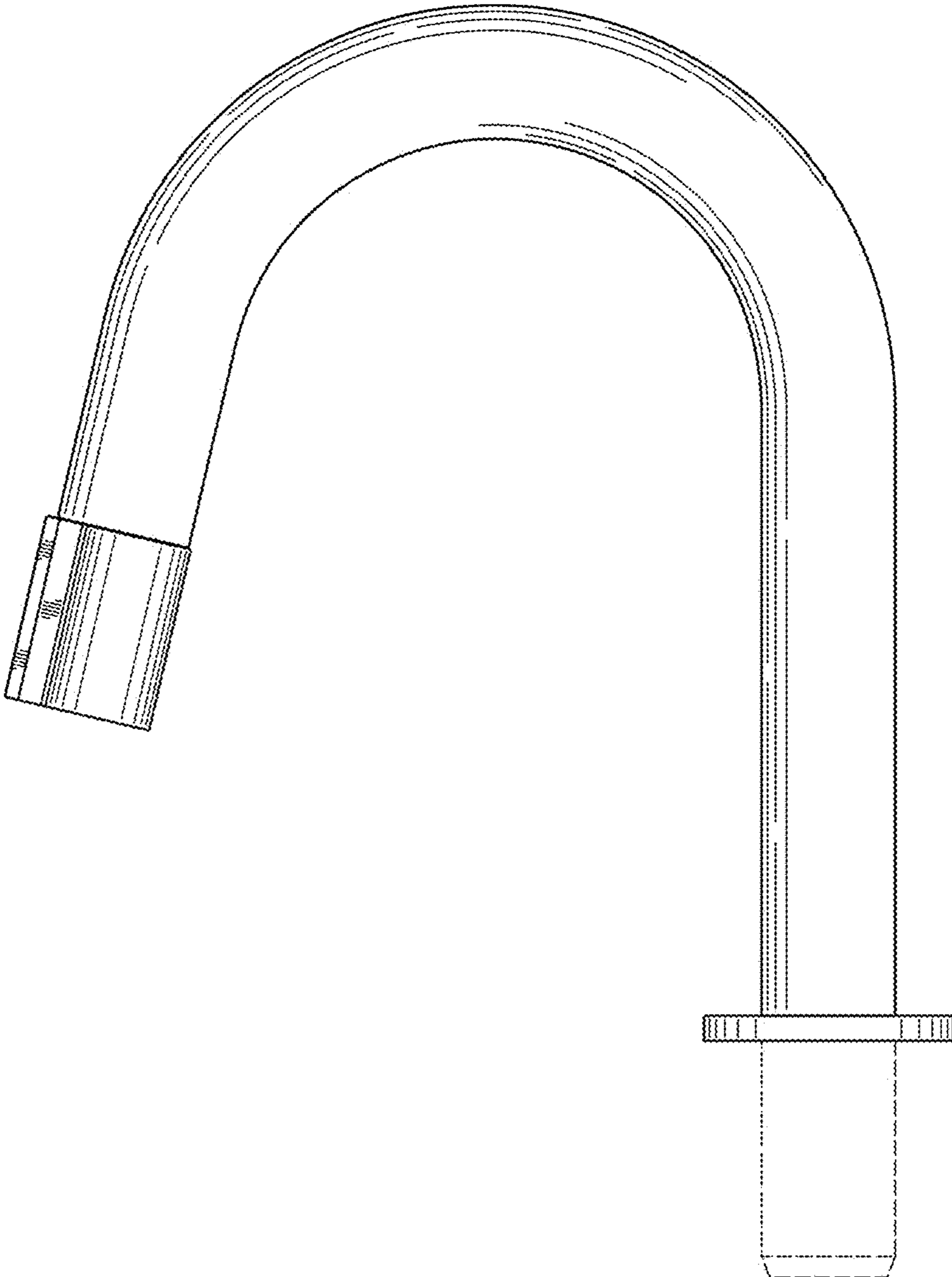


FIG. 3

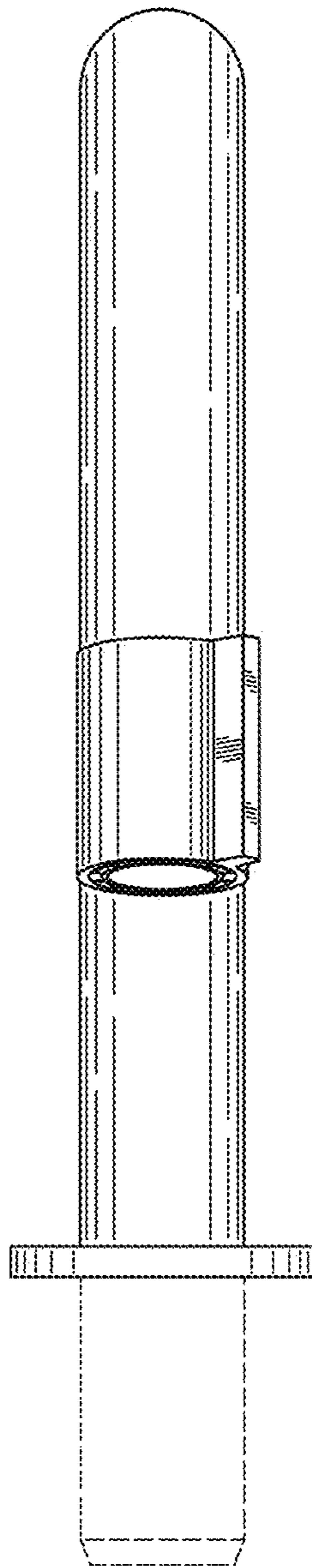


FIG. 4

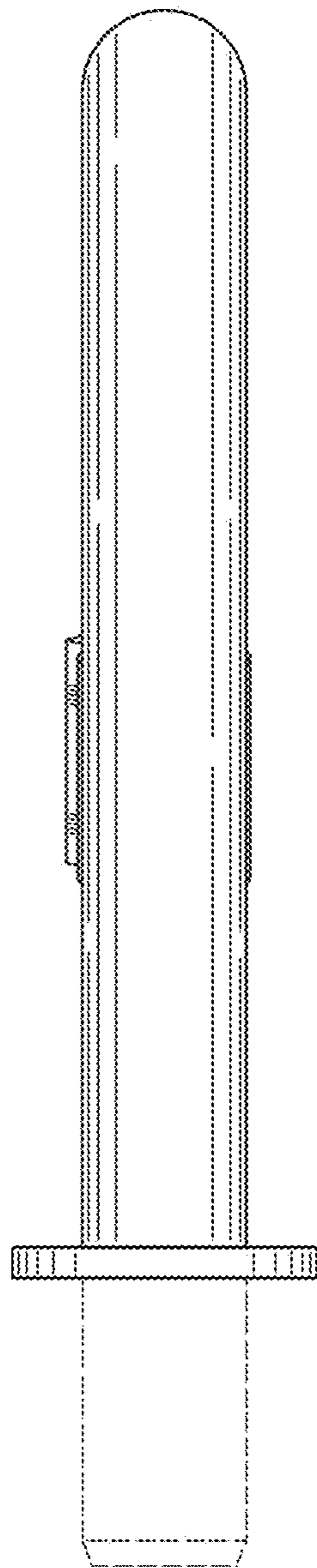


FIG. 5

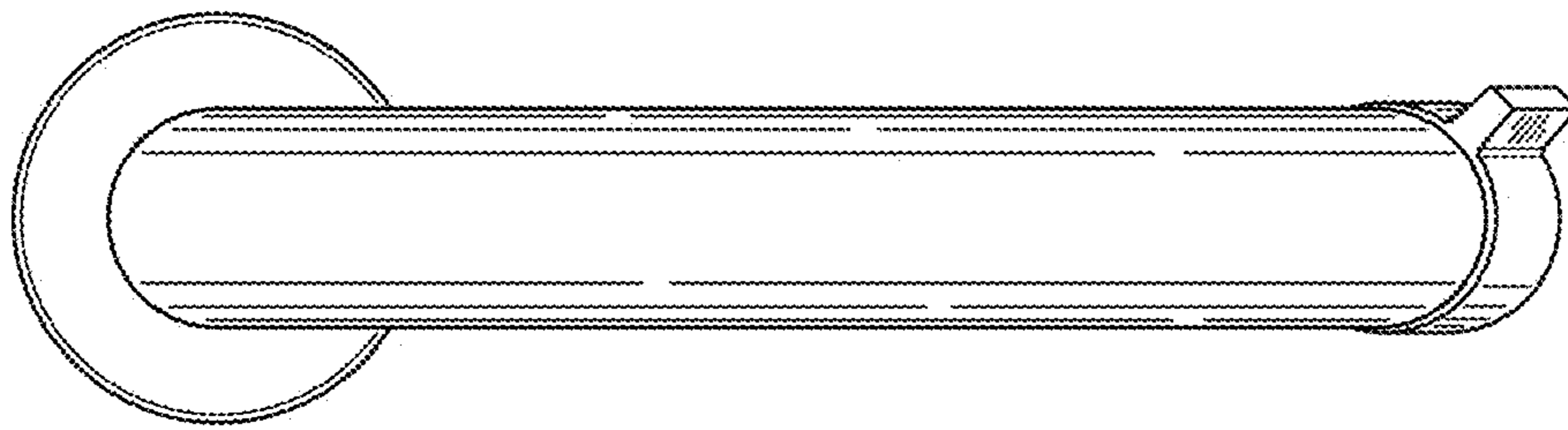


FIG. 6

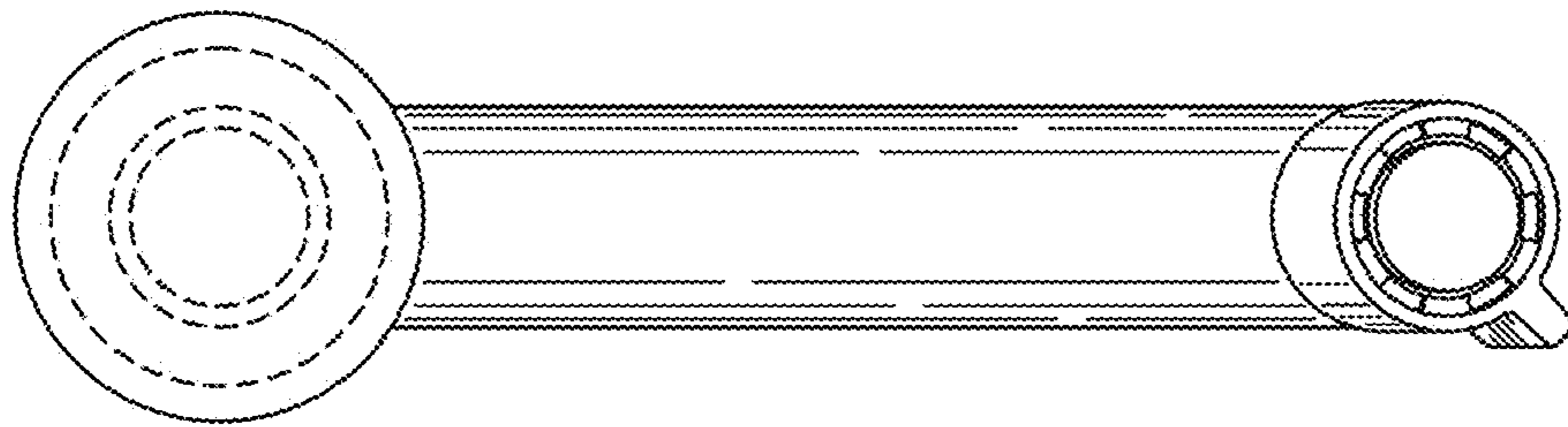


FIG. 7