



US00D778406S

(12) **United States Design Patent**
Egli

(10) **Patent No.:** **US D778,406 S**

(45) **Date of Patent:** **** Feb. 7, 2017**

(54) **FAUCETS**

D575,848 S * 8/2008 Kirar D23/238
D697,588 S * 1/2014 Schoenherr D23/238
D755,931 S * 5/2016 Fratantonio D23/238

(71) Applicant: **Astra Resources AG**, Eglisau (CH)

(72) Inventor: **Werner Egli**, Eglisau (CH)

(73) Assignee: **Astra Resources AG**, Eglisau (CH)

(**) Term: **15 Years**

(21) Appl. No.: **29/542,573**

(22) Filed: **Oct. 15, 2015**

(30) **Foreign Application Priority Data**

Sep. 8, 2015 (WO) DM/087 724

(51) **LOC (10) Cl.** **23-01**

(52) **U.S. Cl.**
USPC **D23/238**

(58) **Field of Classification Search**
USPC D23/238-243, 249, 255, 257, 250, 252,
D23/254
CPC E03C 1/04; E03C 1/0401; E03C 1/0402;
E03C 1/0404; F16K 31/602; F16K
31/605; F16K 31/607
See application file for complete search history.

(56) **References Cited**

U.S. PATENT DOCUMENTS

D364,215 S * 11/1995 Starck D23/242
D532,866 S * 11/2006 Kirar D23/238

FOREIGN PATENT DOCUMENTS

WO DM/084 677 10/2014

* cited by examiner

Primary Examiner — Robert Delehanty

(74) *Attorney, Agent, or Firm* — Sughrue Mion, PLLC

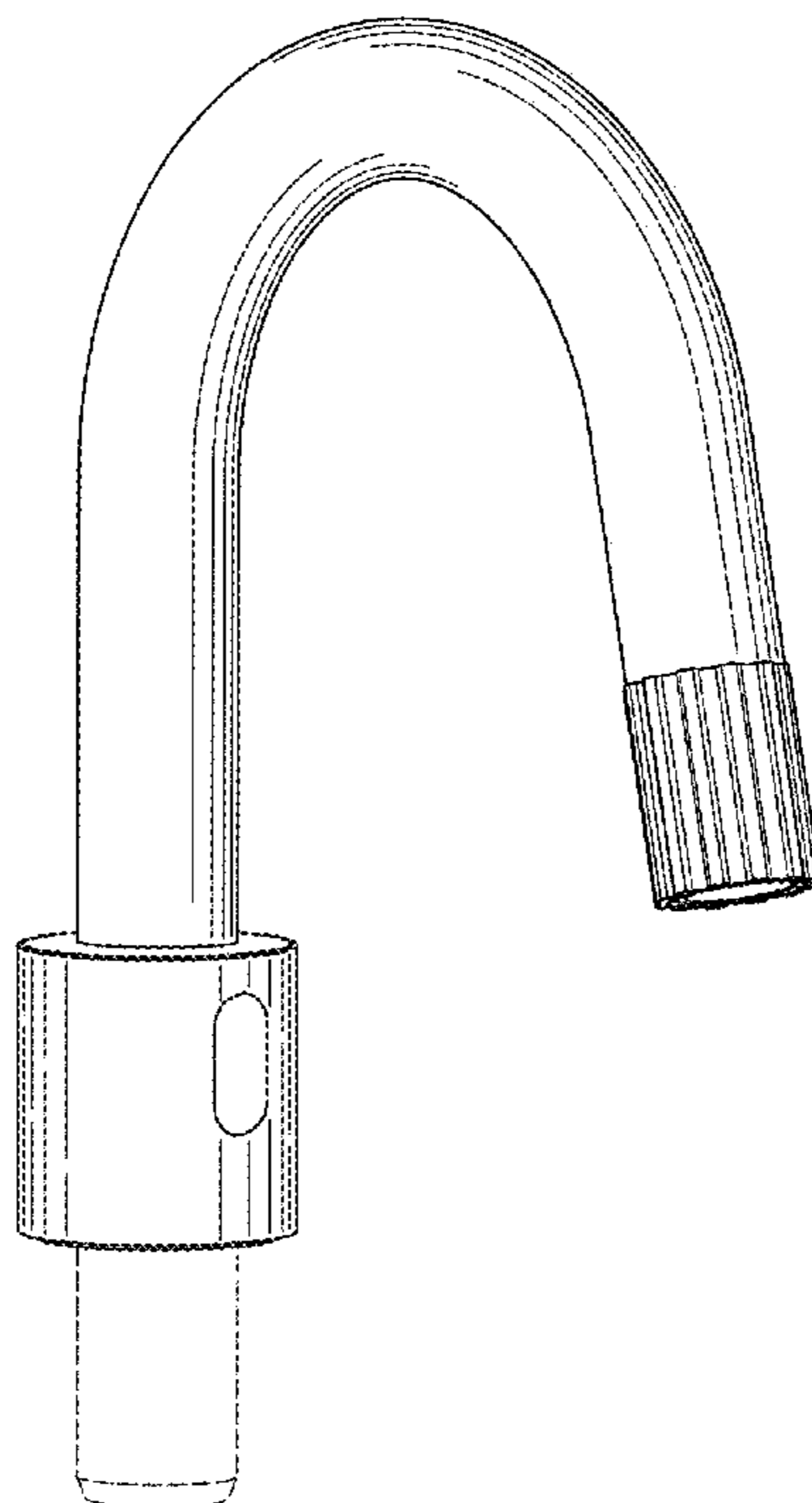
(57) **CLAIM**

The ornamental design for a faucets, as shown and described.

DESCRIPTION

FIG. 1 is a perspective view of my new design;
FIG. 2 is a left elevation view thereof;
FIG. 3 is a right elevation view thereof;
FIG. 4 is a front view thereof;
FIG. 5 is a rear view thereof;
FIG. 6 is a top view thereof; and,
FIG. 7 is a bottom view thereof.
The broken lines show portions of the tire that are not being claimed, and thus form no part of the claimed design.

1 Claim, 7 Drawing Sheets



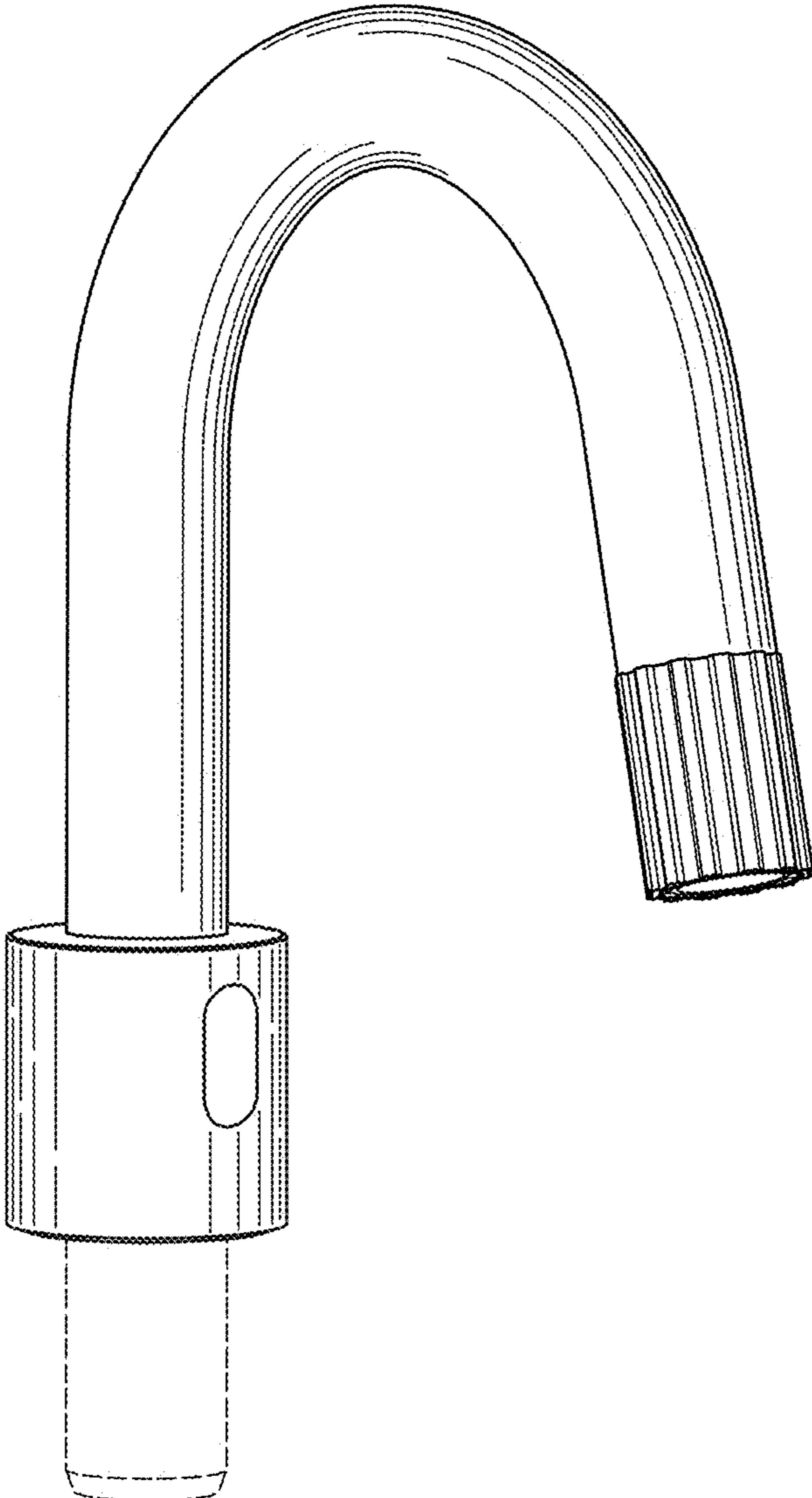


FIG. 1

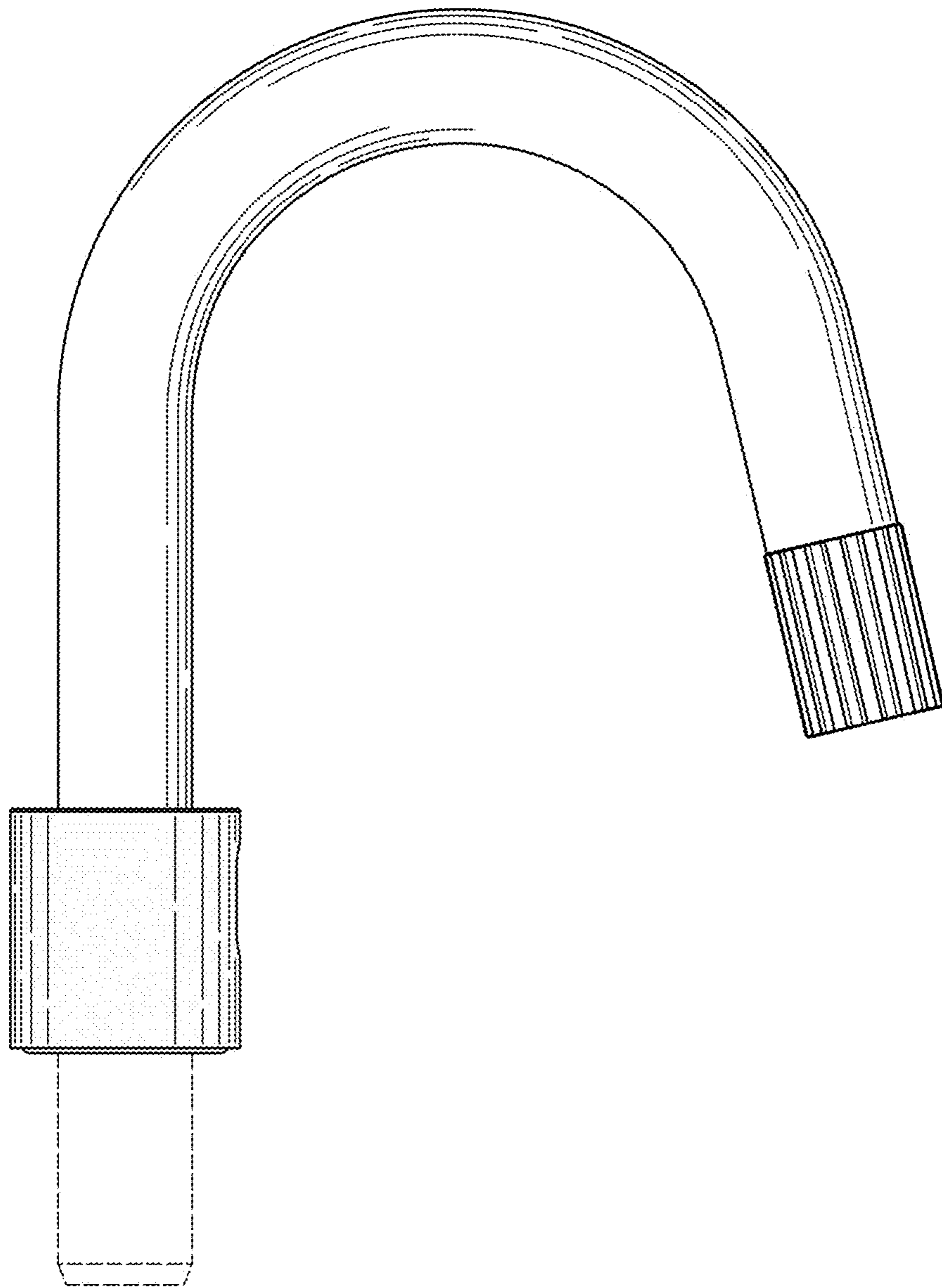


FIG. 2

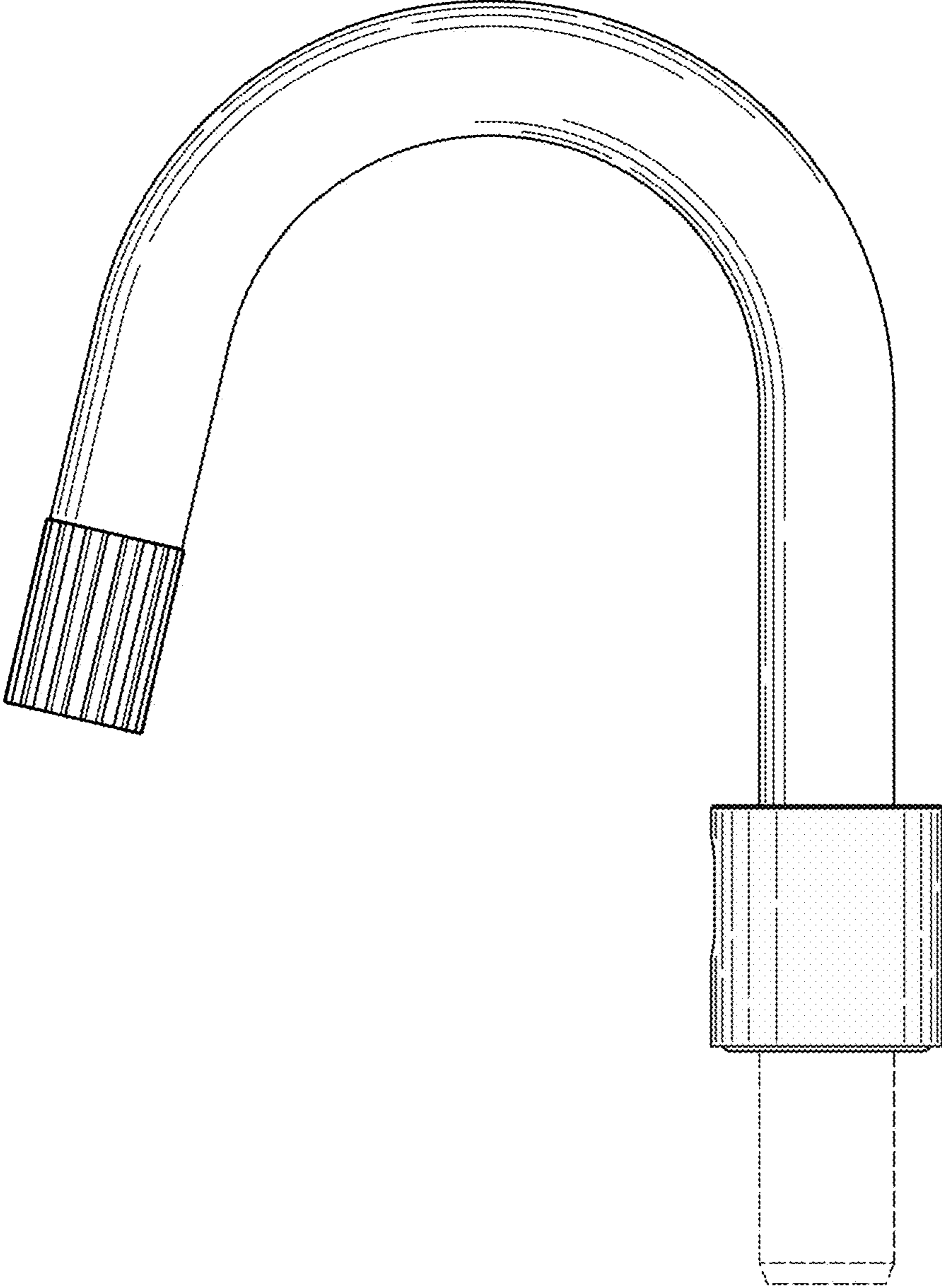


FIG. 3

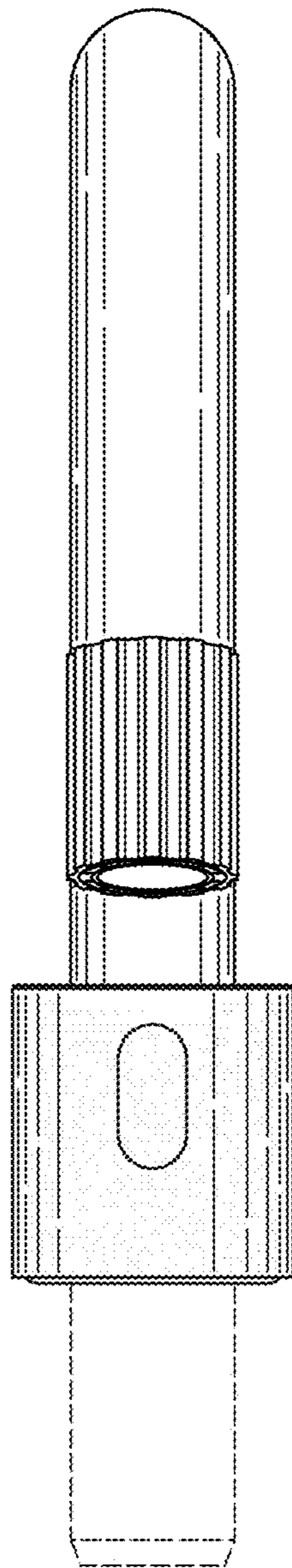


FIG. 4

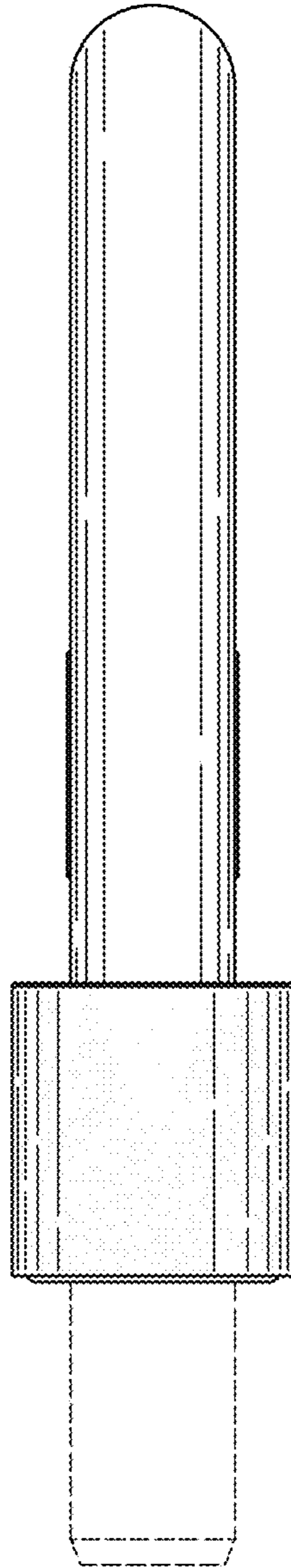


FIG. 5

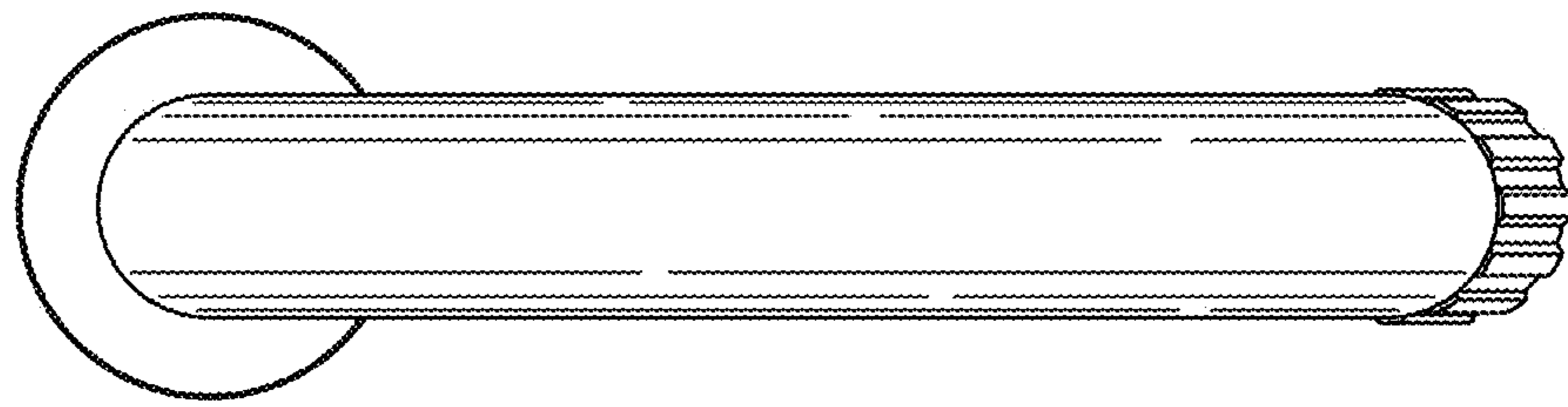


FIG. 6

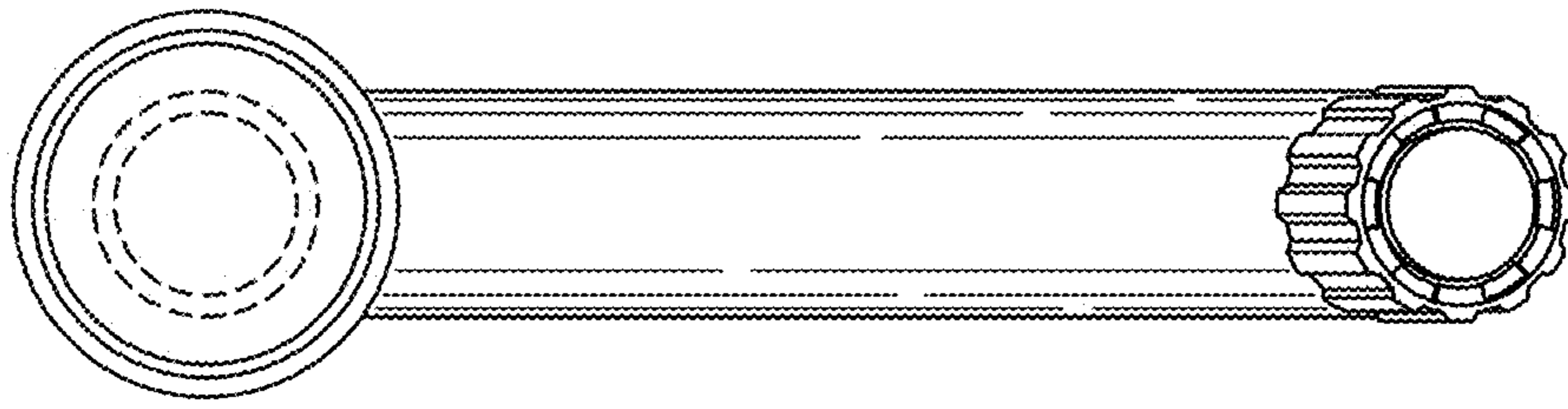


FIG. 7