



US00D778405S

(12) **United States Design Patent**
Wang

(10) **Patent No.:** **US D778,405 S**

(45) **Date of Patent:** **** Feb. 7, 2017**

(54) **PAINT SPRAY GUN**

(71) Applicant: **Hsing-Tzu Wang**, Taichung (TW)

(72) Inventor: **Hsing-Tzu Wang**, Taichung (TW)

(**) Term: **15 Years**

(21) Appl. No.: **29/543,806**

(22) Filed: **Oct. 28, 2015**

(51) **LOC (10) Cl.** **23-01**

(52) **U.S. Cl.**
USPC **D23/226**

(58) **Field of Classification Search**
USPC D23/213, 223, 226; 239/690, 690.1, 691,
239/291; 361/227, 228
CPC B05B 5/1691; B05B 5/043; B05B 5/0533
See application file for complete search history.

(56) **References Cited**

U.S. PATENT DOCUMENTS

D575,374 S *	8/2008	Huang	D23/226
D607,972 S *	1/2010	Wang	D23/226
D614,731 S *	4/2010	Wang	D23/226

D637,269 S *	5/2011	Wang	D23/226
D641,067 S *	7/2011	Wang	D23/226
D720,040 S *	12/2014	Robinson	D23/226
D738,462 S *	9/2015	Wang	D23/226
D740,393 S *	10/2015	Gehrun	D23/226
D754,287 S *	4/2016	Wang	D23/226

* cited by examiner

Primary Examiner — Robin V Webster

(74) *Attorney, Agent, or Firm* — LeClairRyan

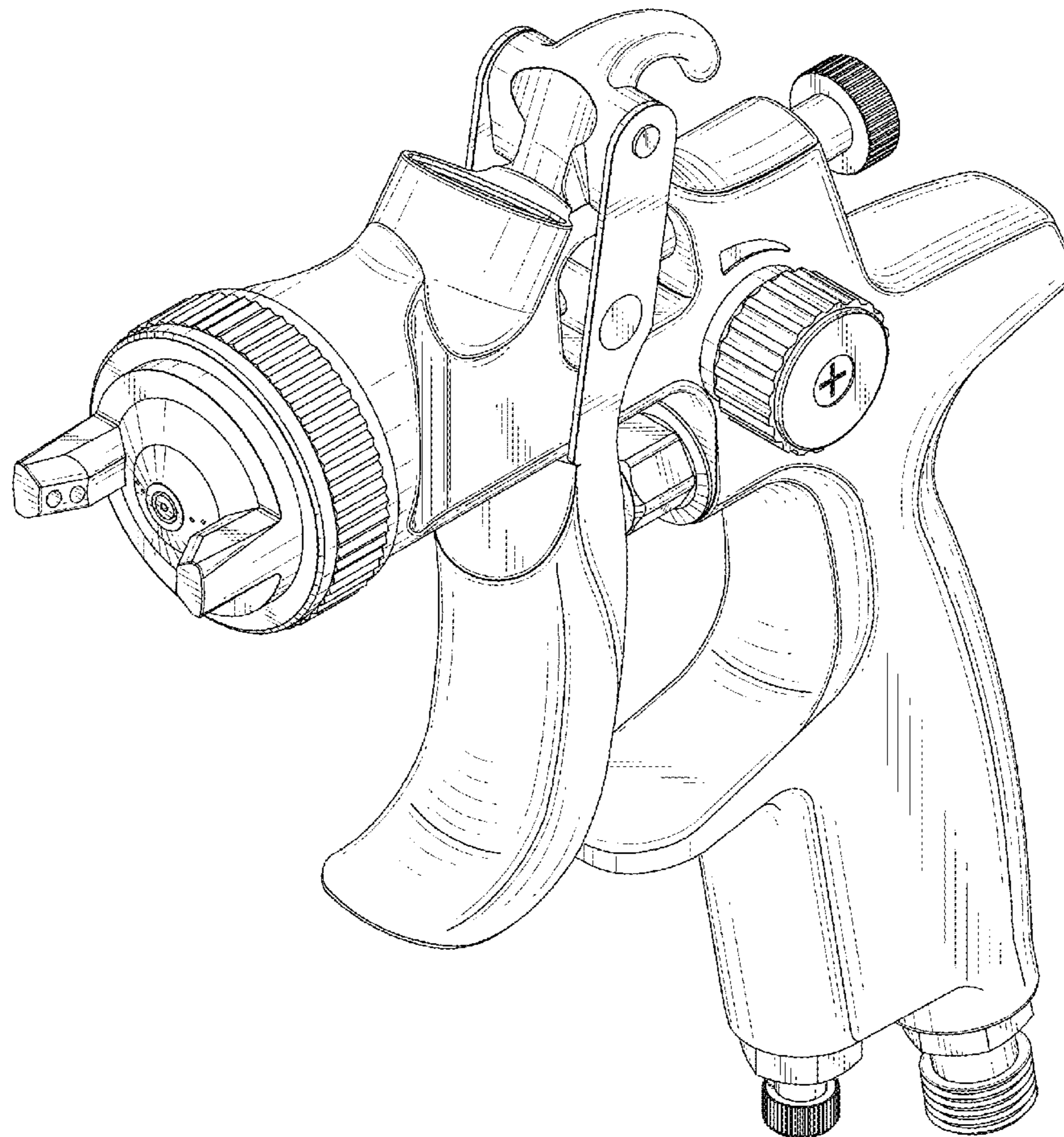
(57) **CLAIM**

The ornamental design for a paint spray gun, as shown and described.

DESCRIPTION

FIG. 1 is a perspective view of the paint spray gun showing my new design;
FIG. 2 is a front elevational view thereof;
FIG. 3 is a rear elevational view thereof;
FIG. 4 is a left side elevational view thereof;
FIG. 5 is a right side elevational view thereof;
FIG. 6 is a top plan view thereof; and,
FIG. 7 is a bottom plan view thereof.

1 Claim, 7 Drawing Sheets



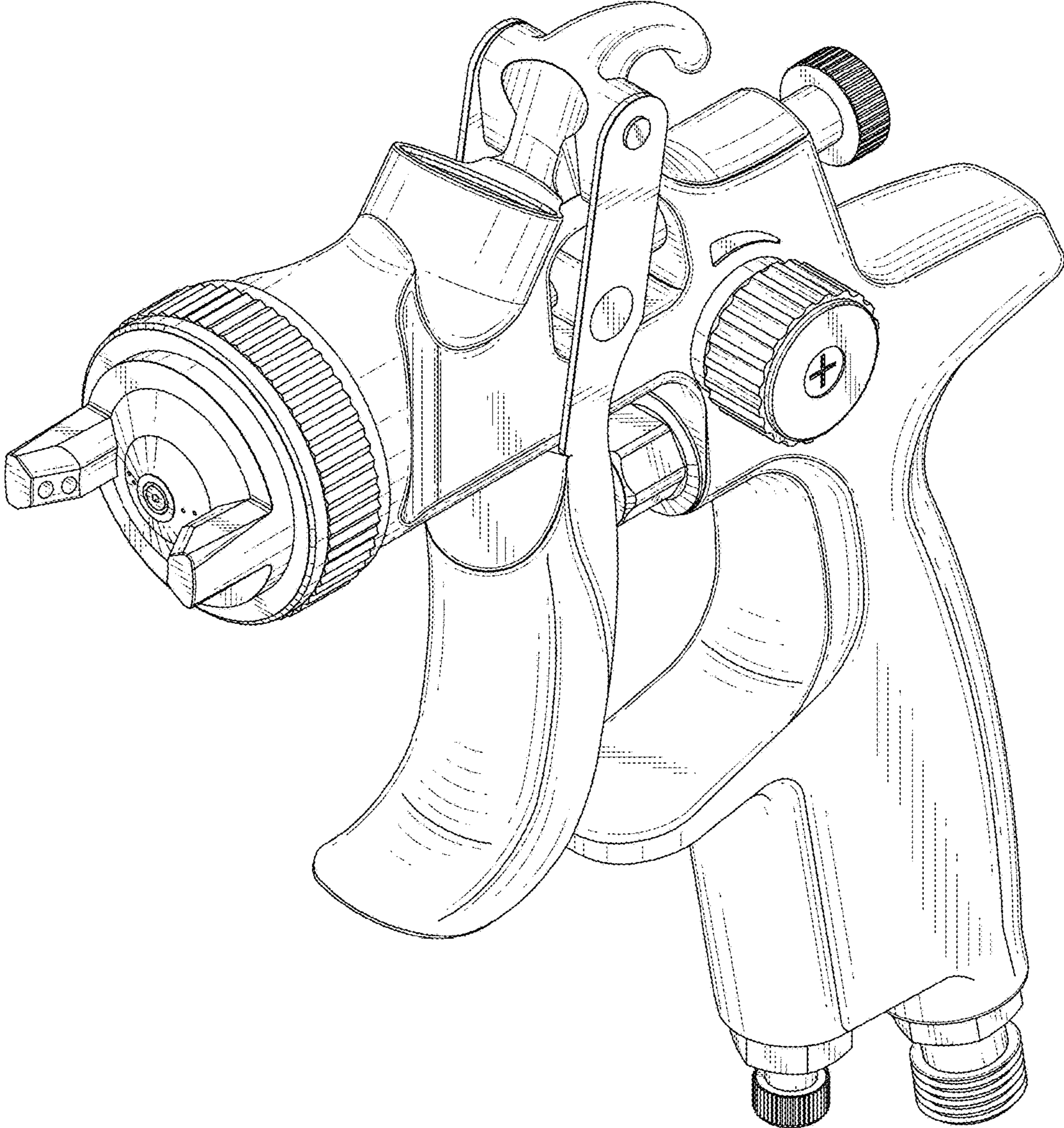


FIG. 1

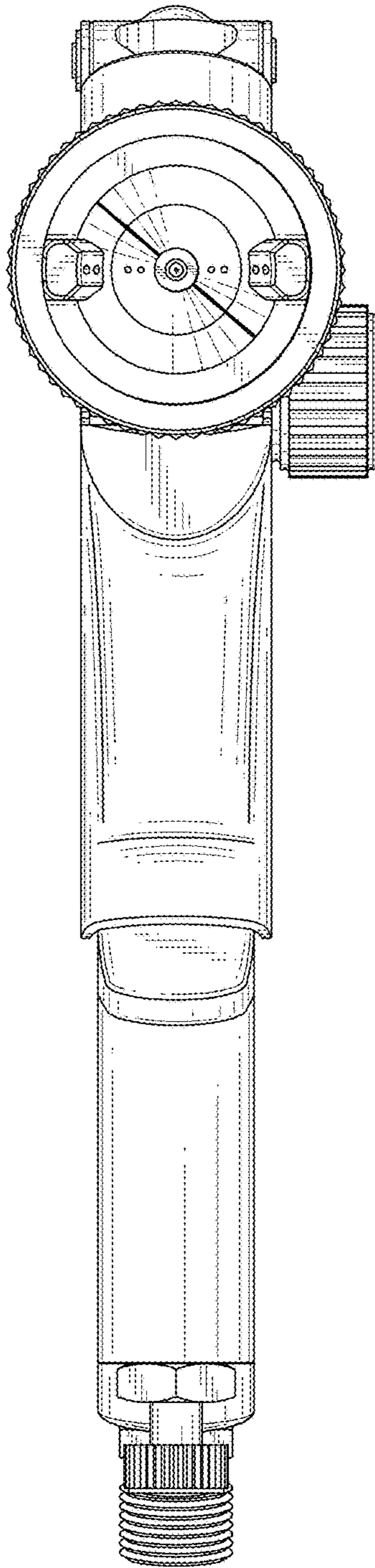


FIG. 2

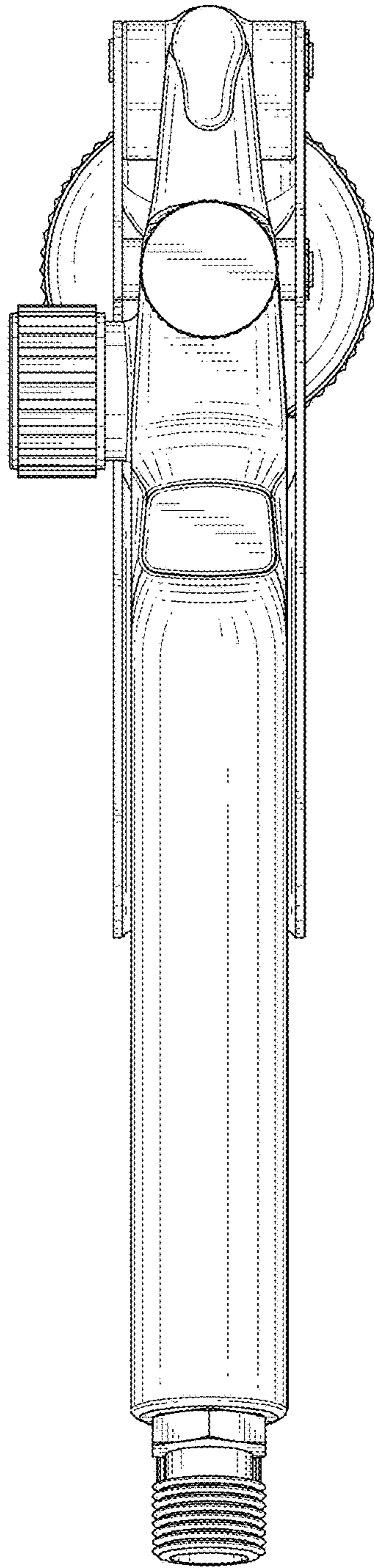


FIG. 3

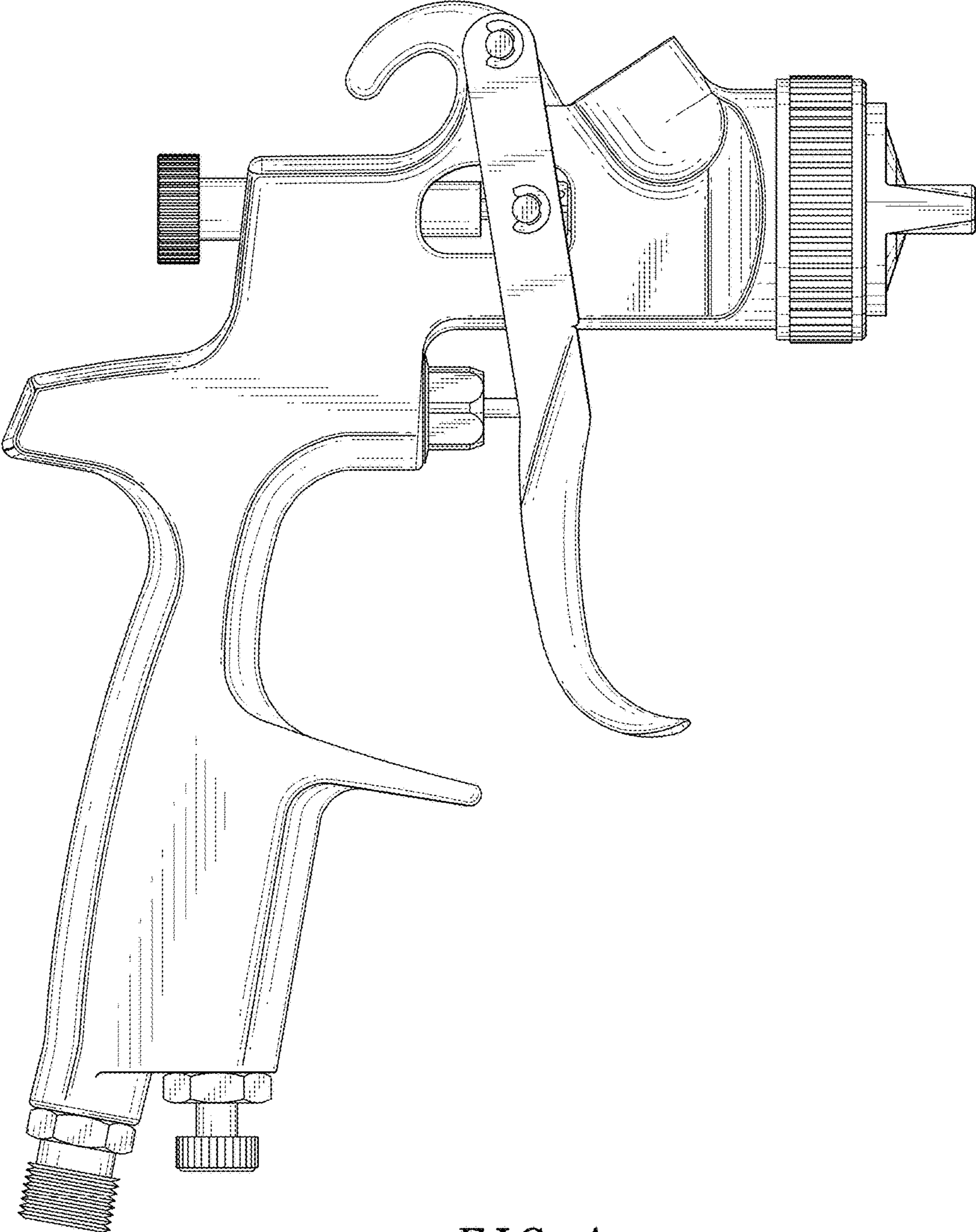


FIG. 4

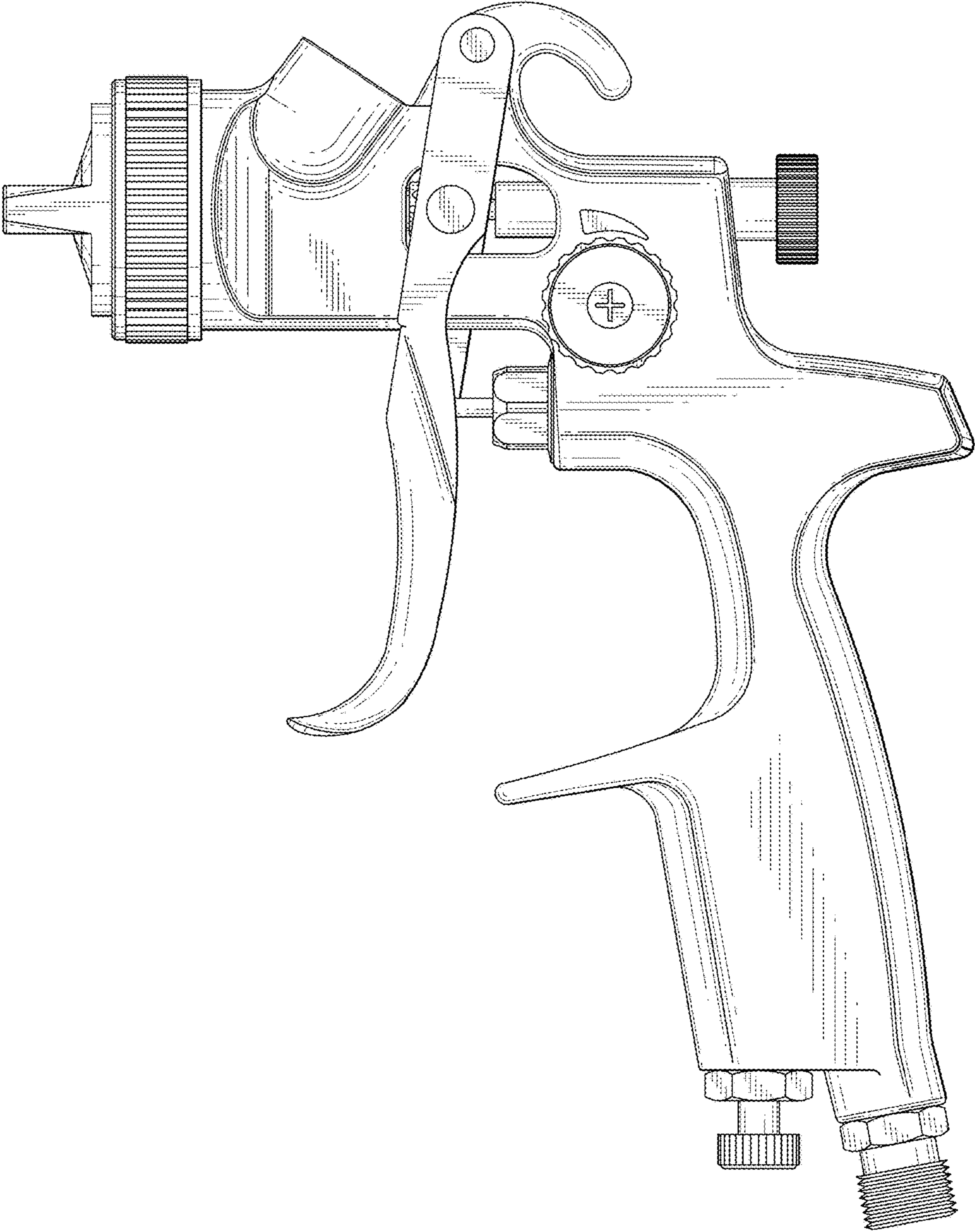


FIG. 5

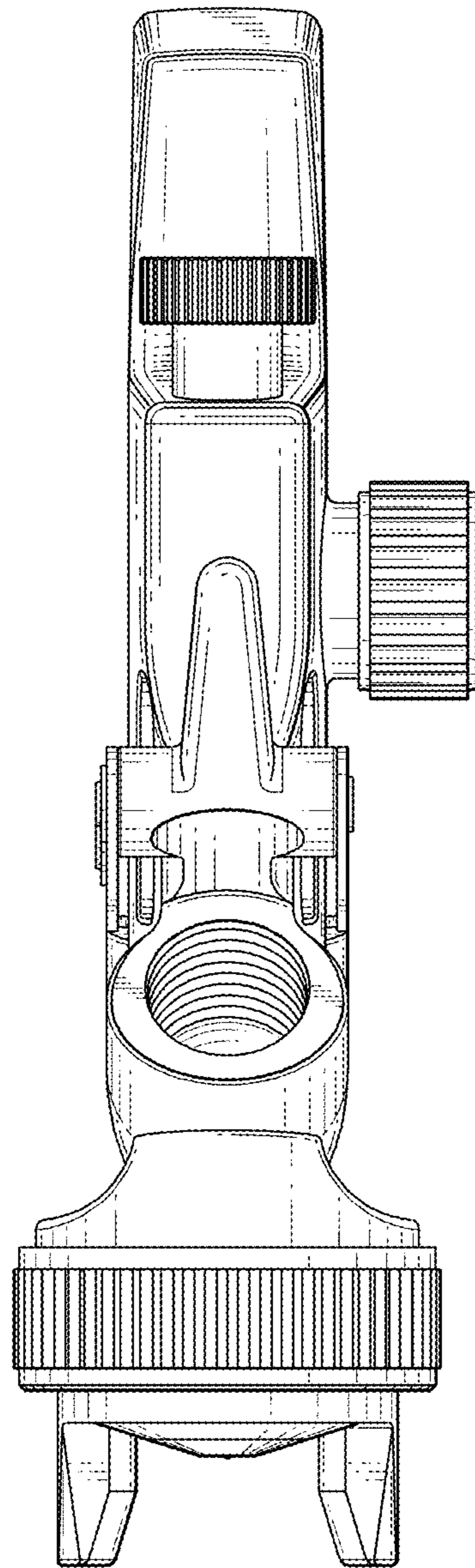


FIG. 6

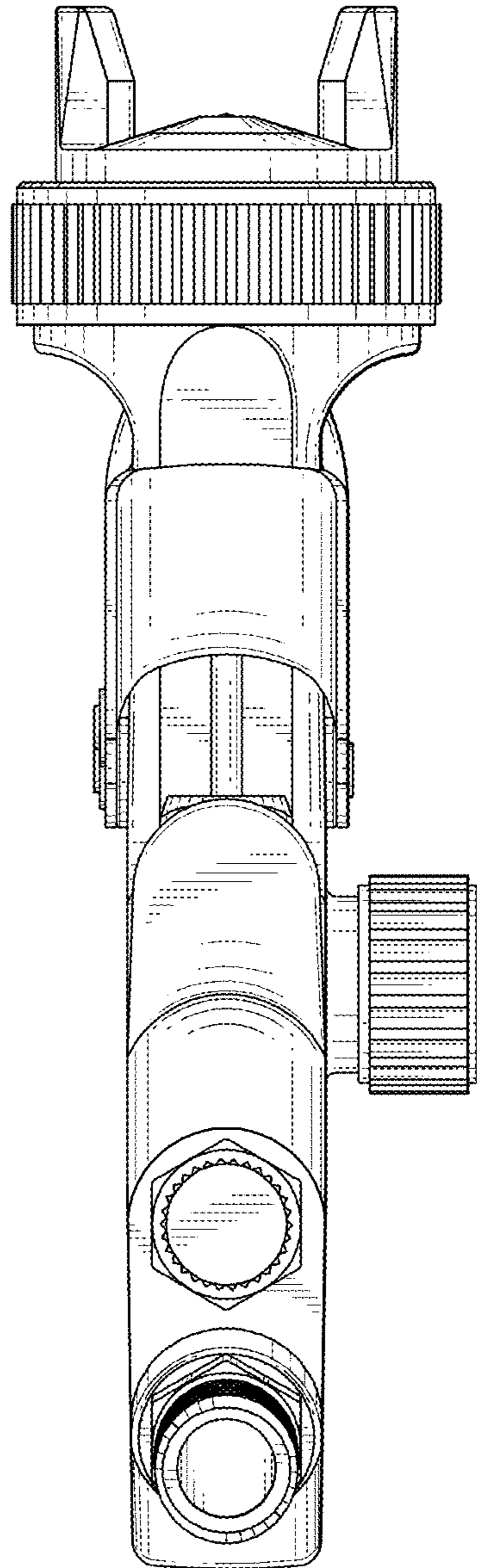


FIG. 7