



US00D778403S

(12) **United States Design Patent** (10) **Patent No.:** **US D778,403 S**
Schoenherr et al. (45) **Date of Patent:** **** Feb. 7, 2017**

(54) **HANSHOWER**
(71) Applicant: **HANSGROHE SE**, Schiltach (DE)
(72) Inventors: **Tom Schoenherr**, Stuttgart (DE);
Matthias Oesterle, Winterbach (DE)

D707,331 S * 6/2014 Schoenherr D23/223
D713,004 S * 9/2014 Schoenherr D23/223
D714,421 S * 9/2014 Flowers D23/223
D737,929 S * 9/2015 Rexach D23/223
D737,932 S * 9/2015 Nikles D23/223

(73) Assignee: **Hansgrohe SE**, Schiltach (DE)
(**) Term: **15 Years**

FOREIGN PATENT DOCUMENTS

CN 302469632 6/2013
CN 302498167 7/2013
CN 302552769 8/2013
EM 000077037-0001 9/2003
EM 000131719-0005 2/2004
WO D079139-004 7/2012

(21) Appl. No.: **29/547,811**
(22) Filed: **Dec. 8, 2015**

* cited by examiner

(30) **Foreign Application Priority Data**

Primary Examiner — Robin V Webster

Jun. 29, 2015 (EM) 002727958-0003

(74) *Attorney, Agent, or Firm* — Lora J. Graentzdoerffer

(51) **LOC (10) Cl.** **23-01**
(52) **U.S. Cl.**
USPC **D23/223**

(57) **CLAIM**

The ornamental design for a handshower, as shown and described.

(58) **Field of Classification Search**
USPC D23/213, 223, 226; 239/462; 4/615
CPC B05B 1/005; B05B 1/3013; B05B 9/01
See application file for complete search history.

DESCRIPTION

FIG. 1 is a perspective view of a handshower showing our design;
FIG. 2 is a front elevation view;
FIG. 3 is a rear elevation view;
FIG. 4 is a side elevation view;
FIG. 5 is a top plan view; and,
FIG. 6 is a bottom plan view.
The broken-line disclosure in the views represents portions of the handshower in which the claimed design is embodied, but which form no part of the claimed design.

(56) **References Cited**

U.S. PATENT DOCUMENTS

D513,525 S * 1/2006 Haug D23/223
D551,737 S * 9/2007 Haug et al.
D610,229 S * 2/2010 Wu D23/223
D610,231 S * 2/2010 Wu D23/223
D654,983 S * 2/2012 Schoenherr D23/223
D694,361 S * 11/2013 Schoenherr D23/223
D697,177 S * 1/2014 Schoenherr D23/223

1 Claim, 6 Drawing Sheets

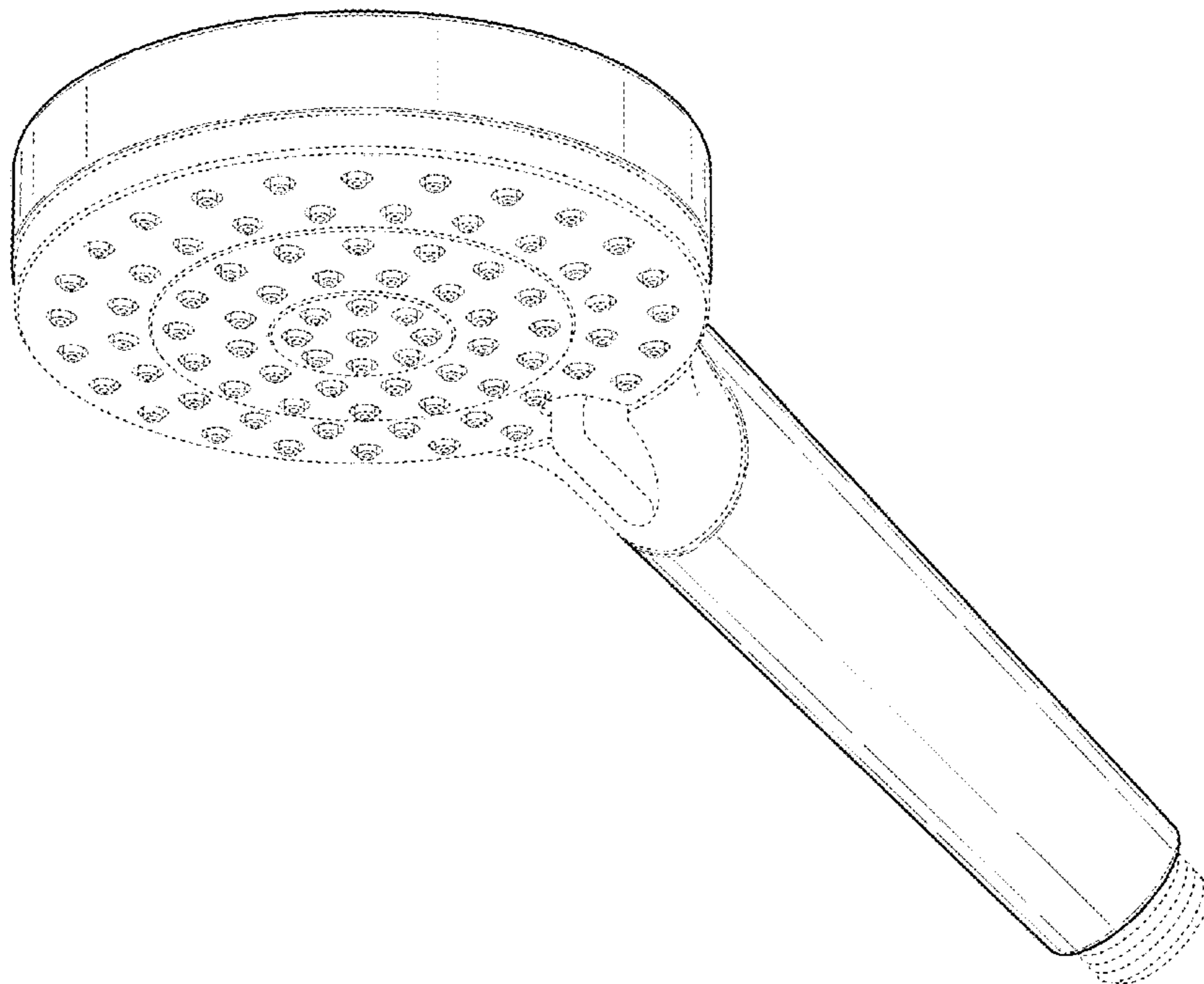


FIG. 1

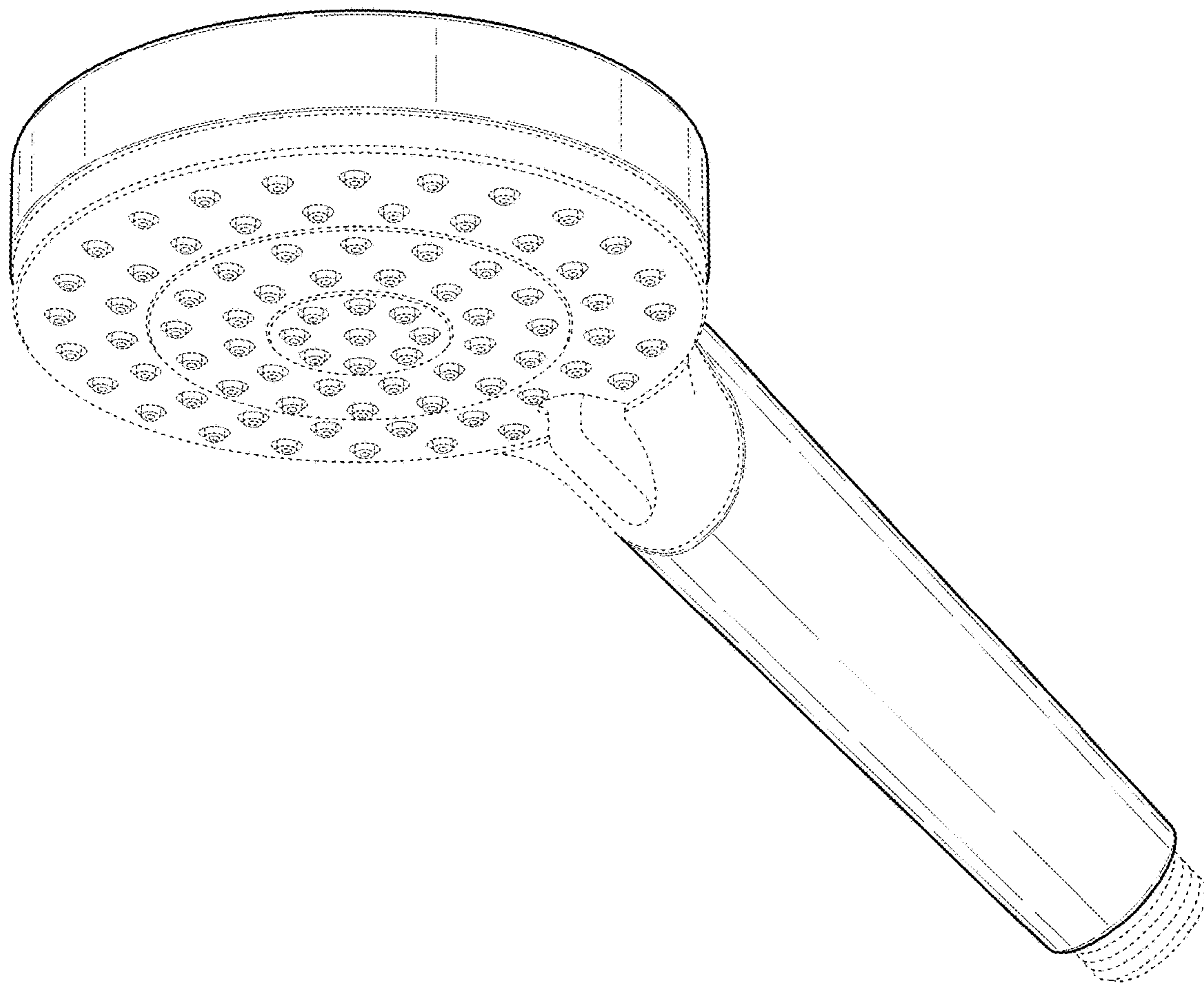


FIG. 2

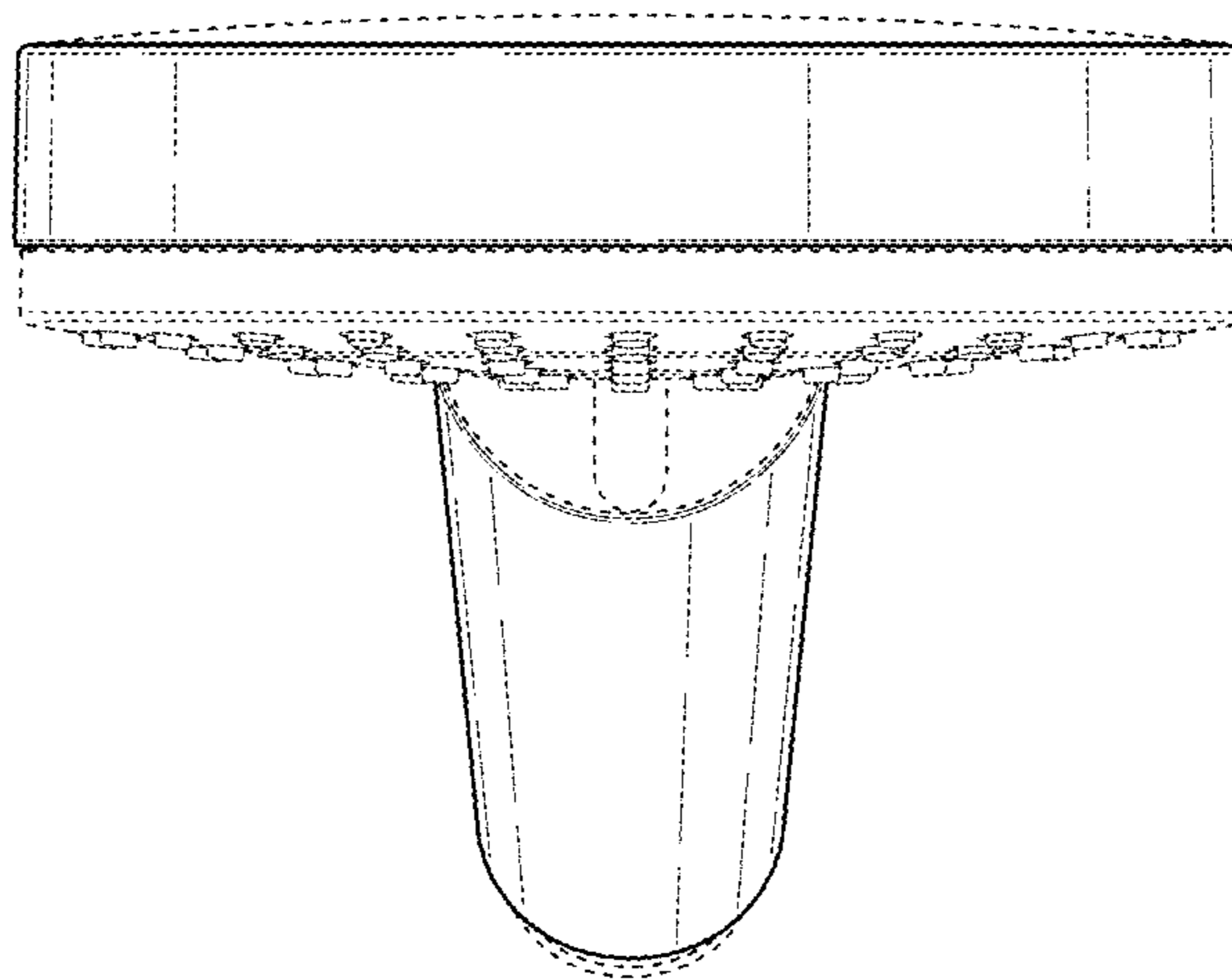


FIG. 3

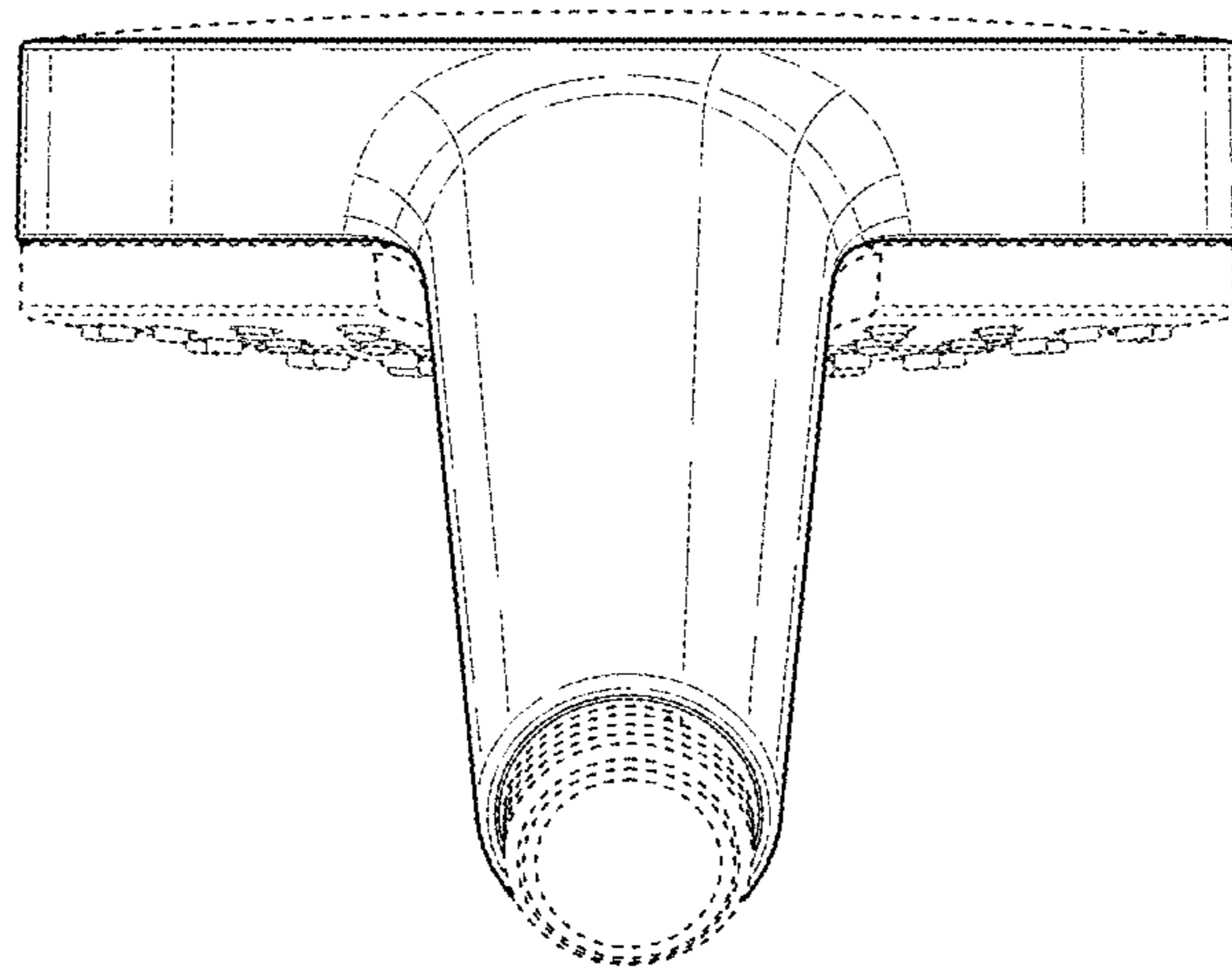


FIG. 4

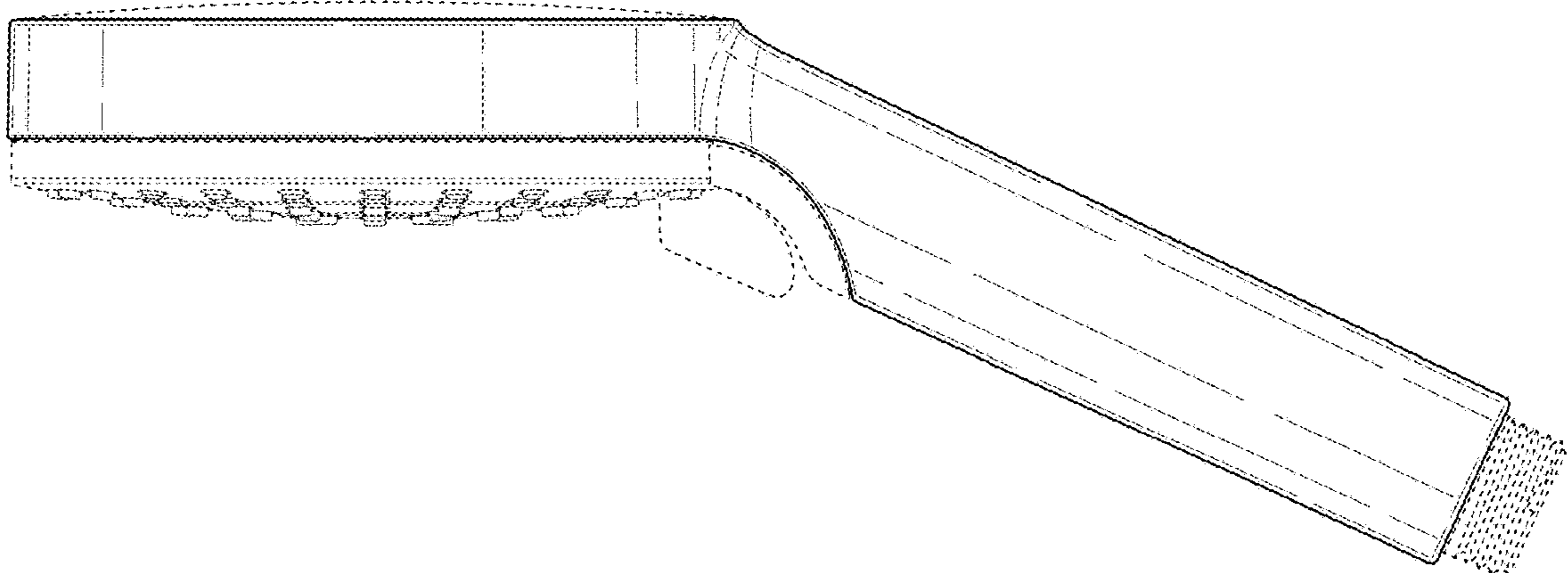


FIG. 5

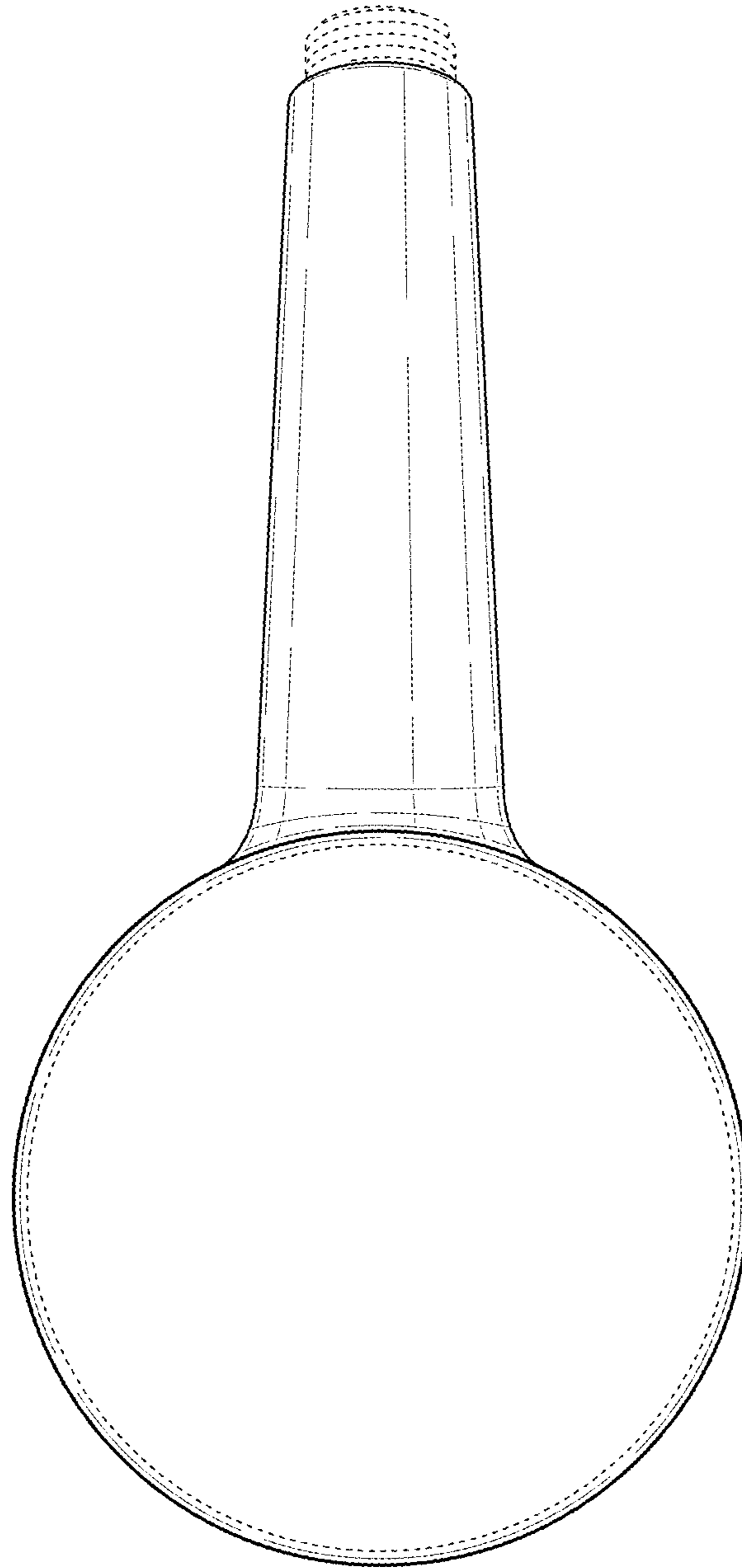


FIG. 6

