



US00D778400S

(12) **United States Design Patent** (10) **Patent No.:** **US D778,400 S**
Kim (45) **Date of Patent:** **** Feb. 7, 2017**

(54) **SPOOL FOR FISHING REEL**

(71) Applicant: **Il Han Kim**, Daegu (KR)

(72) Inventor: **Il Han Kim**, Daegu (KR)

(**) Term: **15 Years**

(21) Appl. No.: **29/545,752**

(22) Filed: **Nov. 16, 2015**

(30) **Foreign Application Priority Data**

May 19, 2015 (KR) 30-2015-0025228

(51) **LOC (10) Cl.** **22-05**

(52) **U.S. Cl.**
USPC **D22/137**

(58) **Field of Classification Search**
USPC D21/473, 474, 803; D22/121, 125, 126,
D22/136, 137, 146; D32/29, 37, 53
CPC A01K 97/00; A01K 97/02; A01K 97/04;
B63B 17/00; A01G 31/02; B65G 45/04
See application file for complete search history.

(56) **References Cited**

U.S. PATENT DOCUMENTS

D388,489 S *	12/1997	Sikorski	D21/803
7,222,743 B1 *	5/2007	Wilhelm	A01K 97/06 220/560
D608,852 S *	1/2010	Armenteros Mendoza	.	D22/137
2002/0162275 A1 *	11/2002	Robinson	A01G 31/02 47/62 N
2009/0307879 A1 *	12/2009	Outland	B63B 17/00 24/304
2012/0244980 A1 *	9/2012	Su	B60K 17/046 475/149
2013/0228584 A1 *	9/2013	Khatchaturian	B65D 25/00 220/694
2014/0197006 A1 *	7/2014	Kverel	B65G 39/09 193/37

2015/0076384 A1 *	3/2015	Lurk	F16K 1/224 251/308
2015/0209652 A1 *	7/2015	Magee	A63C 17/012 280/86
2015/0280413 A1 *	10/2015	Coyle	H02G 3/22 277/626

(Continued)

Primary Examiner — Manpreet Matharu

Assistant Examiner — Suzanne Tisdell

(74) *Attorney, Agent, or Firm* — Paratus Law Group, PLLC

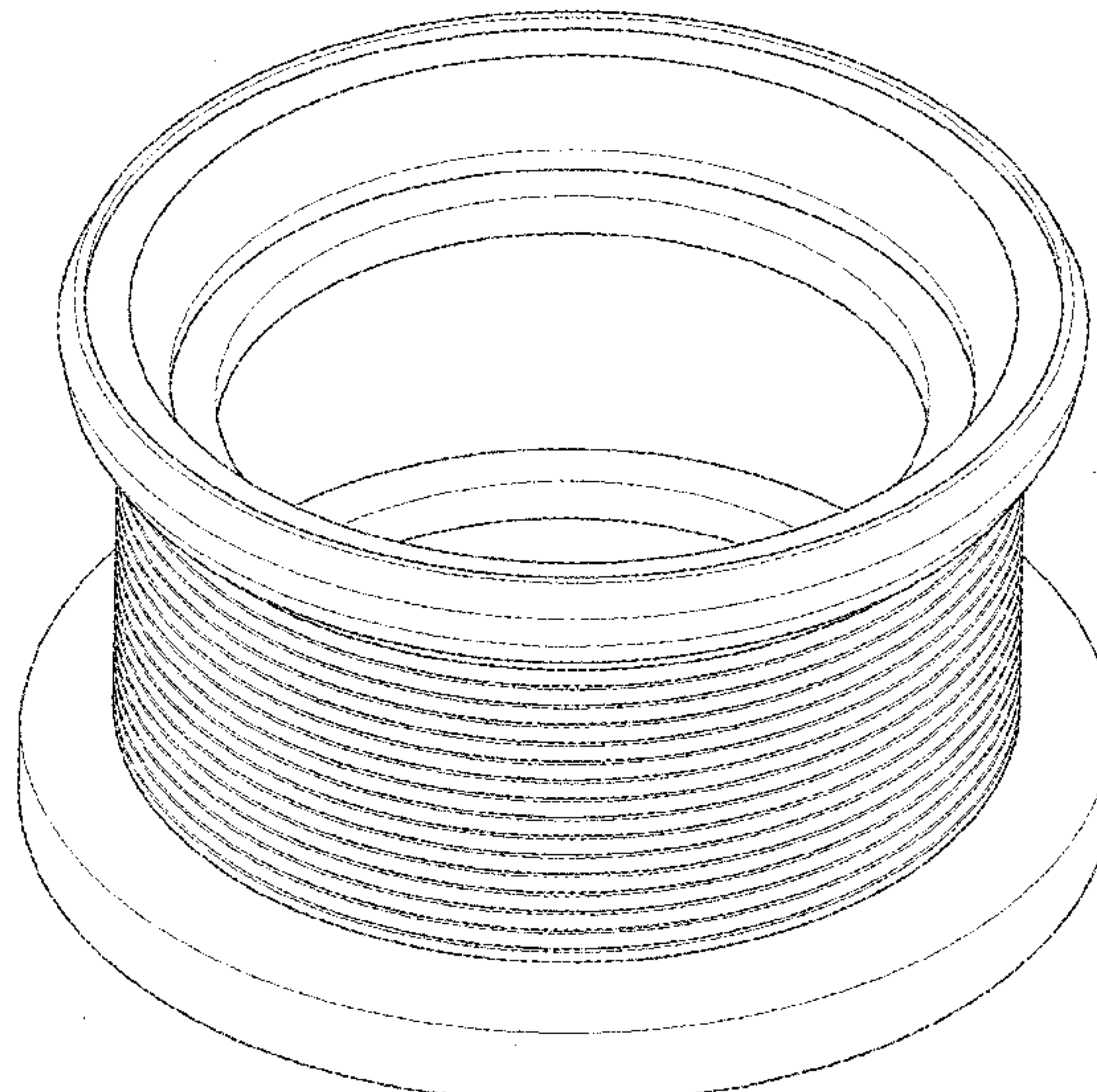
(57) **CLAIM**

The ornamental design for a “spool for fishing reel,” as shown and described.

DESCRIPTION

FIG. 1 is a perspective view of a spool for fishing reel showing the claimed design;
 FIG. 2 is a front view thereof;
 FIG. 3 is a back view thereof;
 FIG. 4 is a left side view thereof;
 FIG. 5 is a right side view thereof;
 FIG. 6 is a top view thereof;
 FIG. 7 is a bottom view thereof;
 FIG. 8 is a second top view showing a cut line for cross-sectional view;
 FIG. 9 is a cross sectional view taken along line 9-9 in FIG. 8;
 FIG. 10 is a detail view taken from location ‘10’ in FIG. 2; and,
 FIG. 11 is the spool for fishing reel assembled with other parts of the fishing reel.
 The evenly-spaced broken lines in FIG. 11 show unclaimed environmental subject matter and form no part of the claimed design. The dot-dash-dot broken lines in FIGS. 2 & 10 depict the locations of both a sectional view in FIG. 2 and a detail view of the spool threading in FIG. 10 and form no part of the claimed design.

1 Claim, 8 Drawing Sheets



(56)

References Cited

U.S. PATENT DOCUMENTS

2015/0334928 A1* 11/2015 Kort A01G 31/02
47/62 R

* cited by examiner

FIG. 1

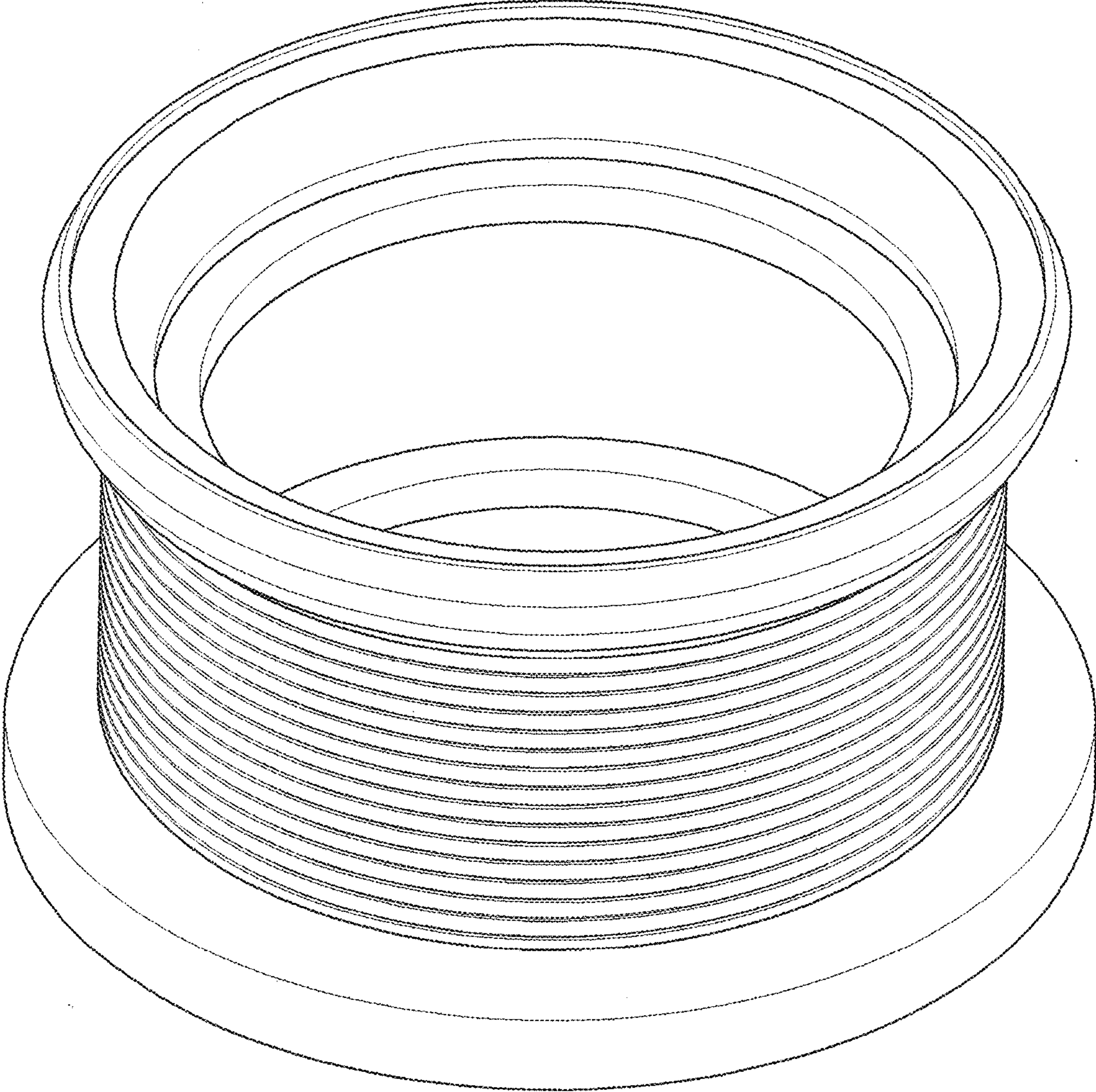


FIG. 2

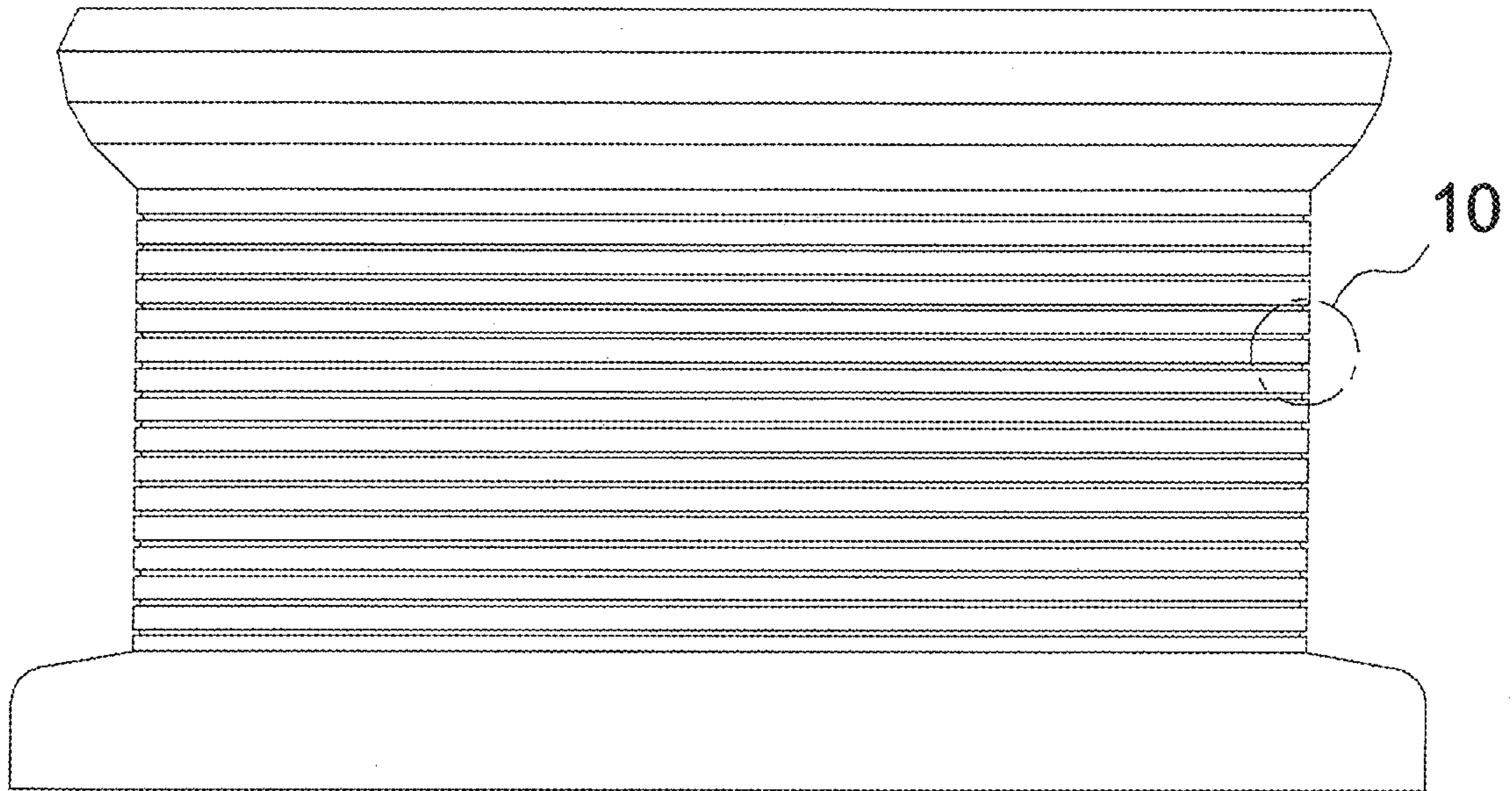


FIG. 3

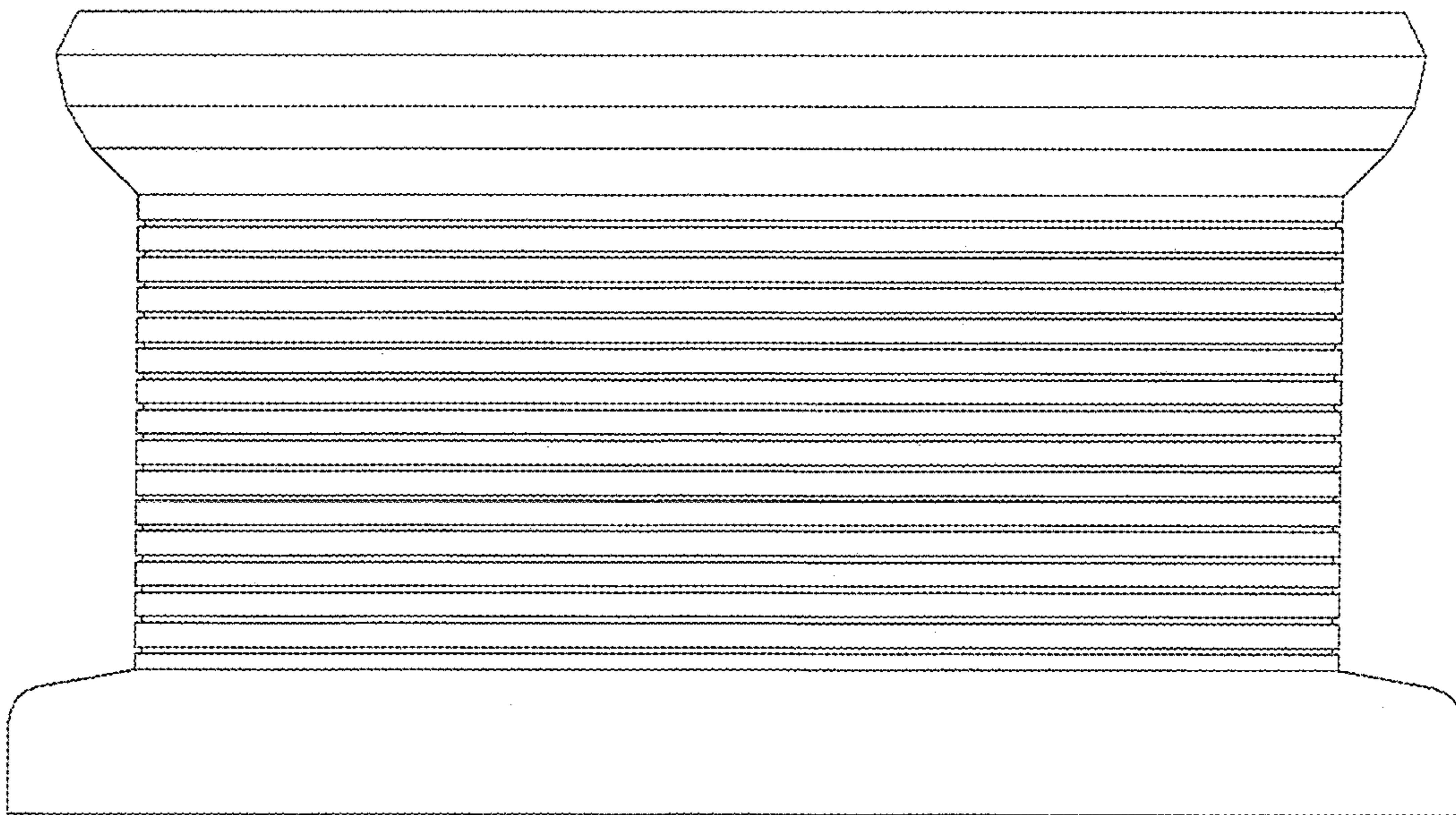


FIG. 4

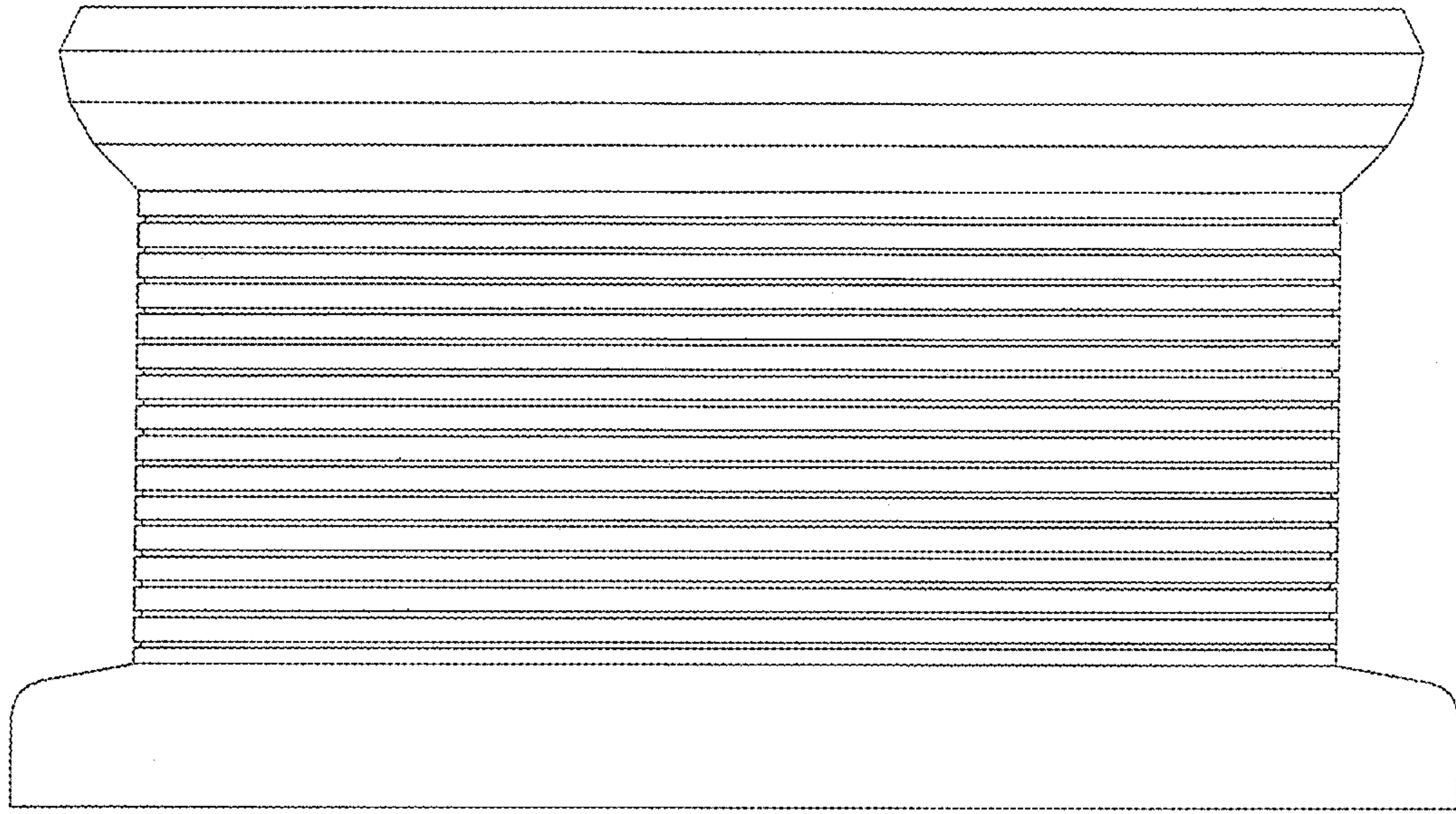


FIG. 5

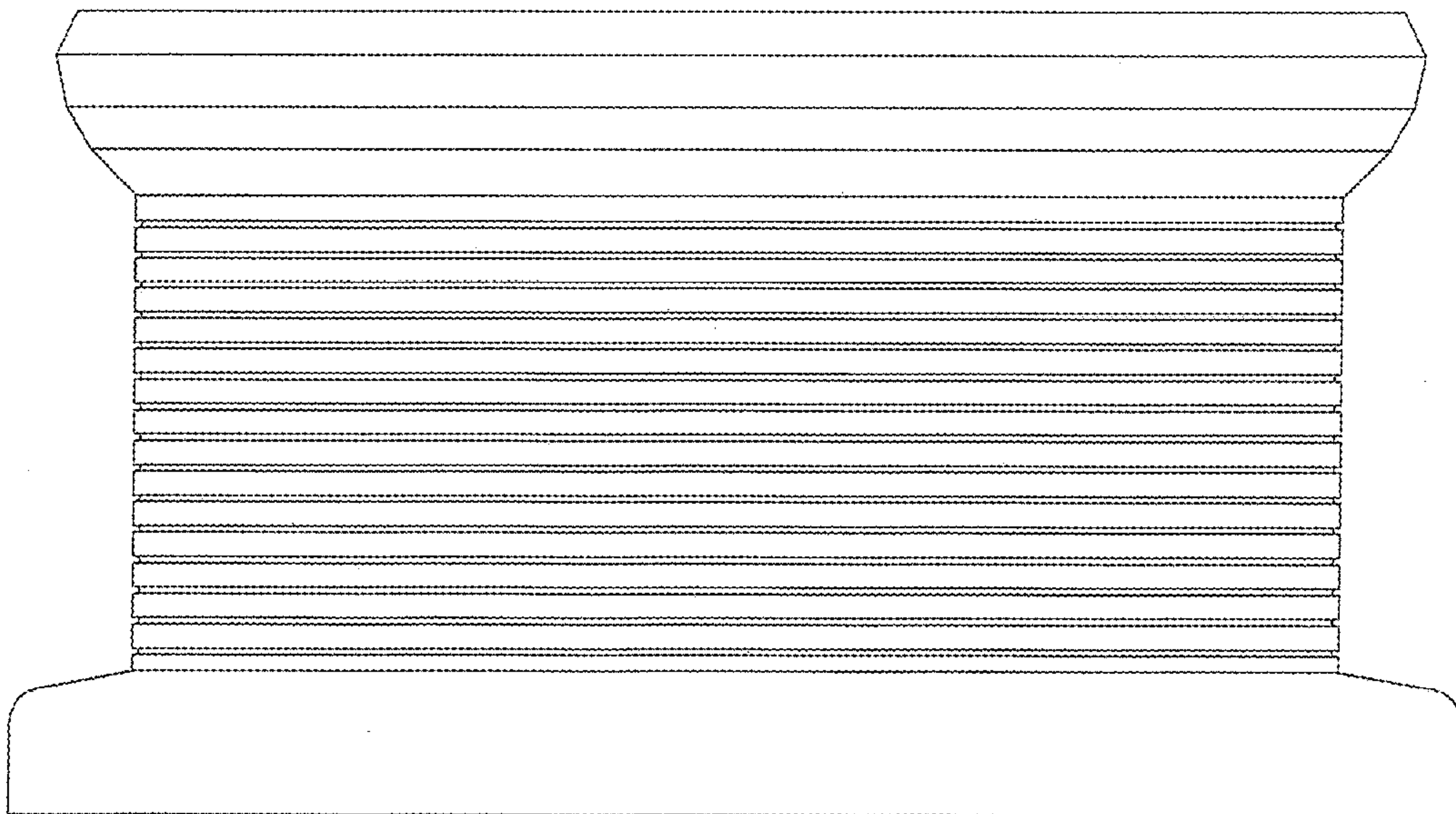


FIG. 6

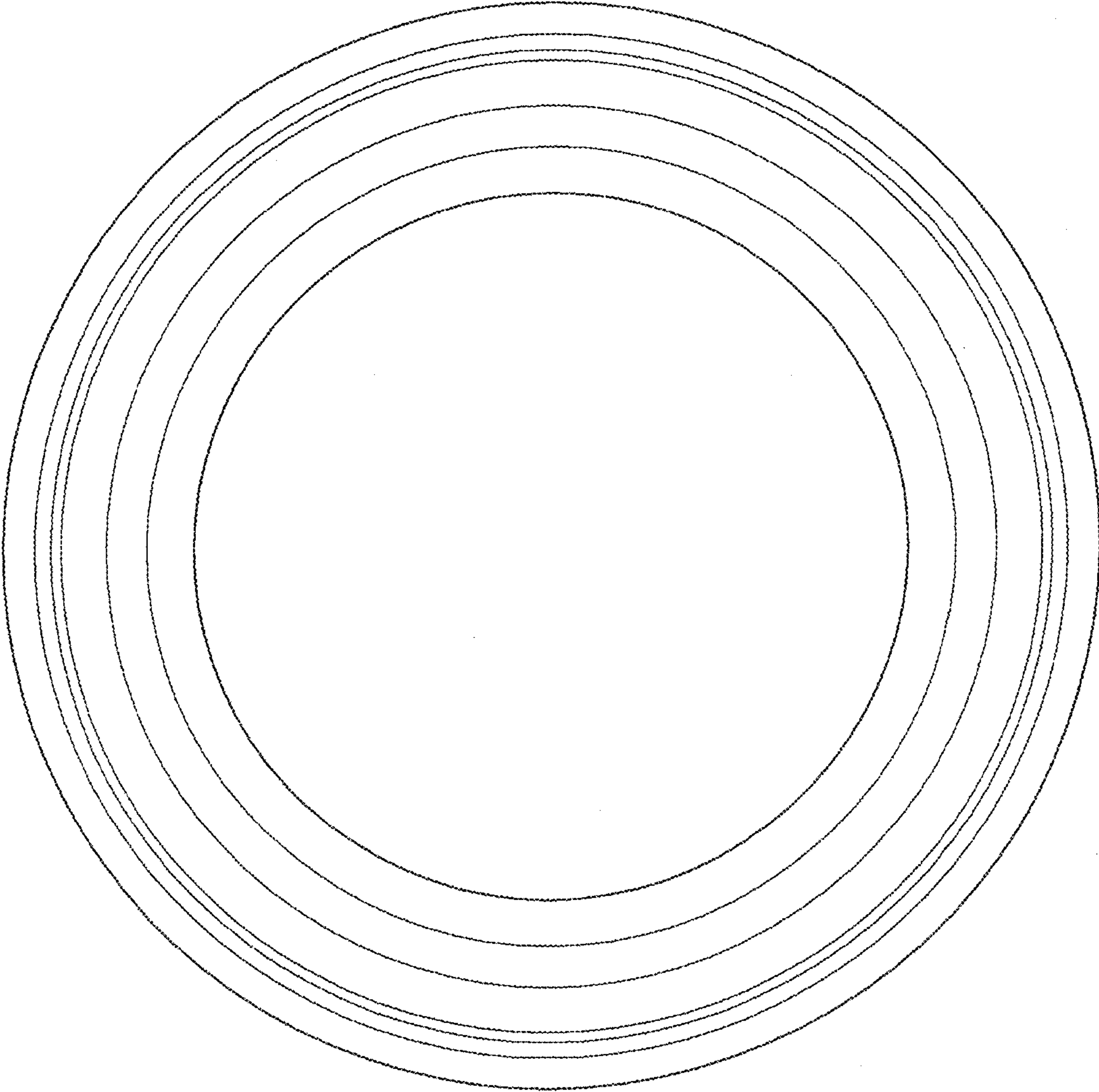


FIG. 7

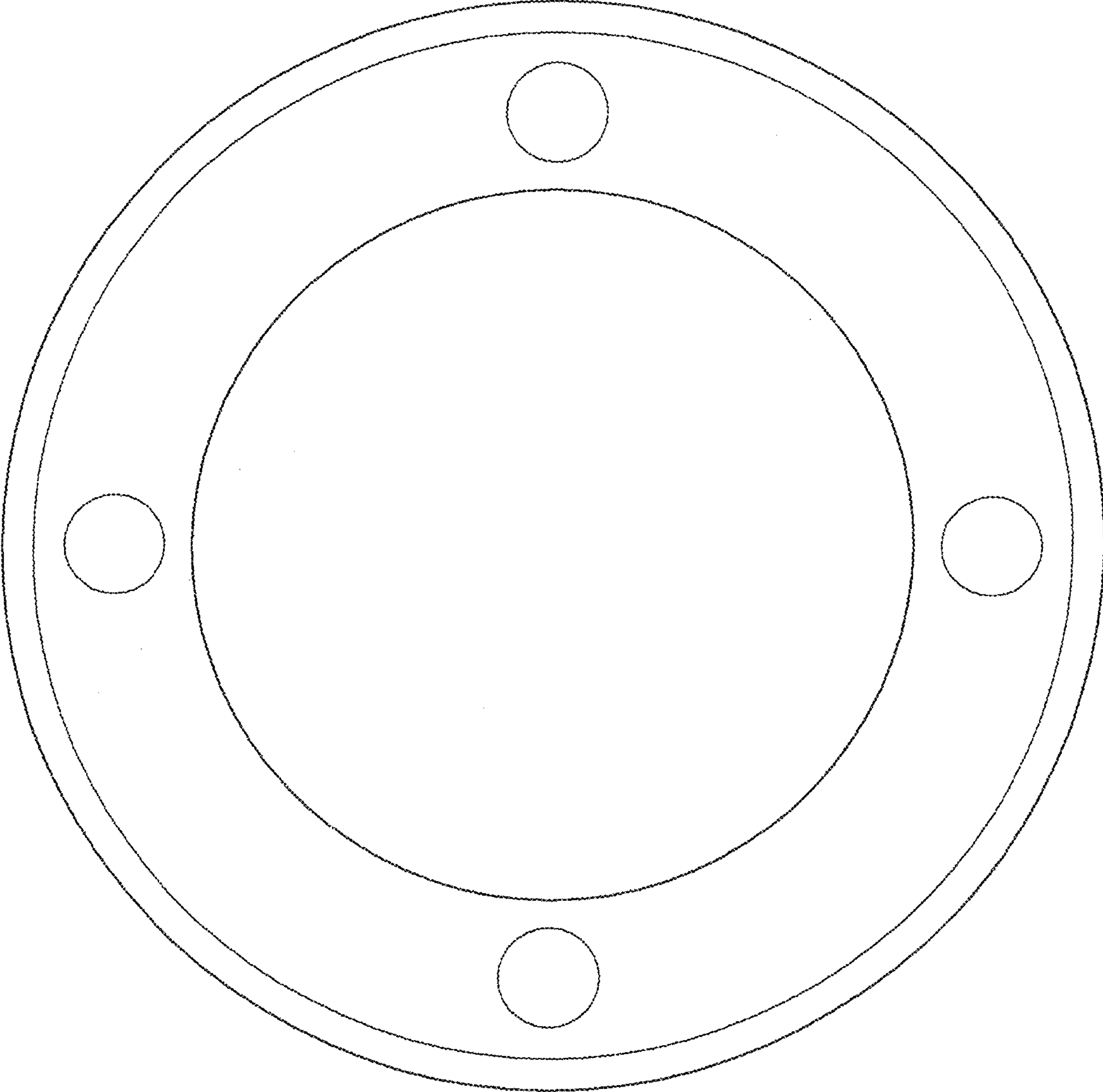


FIG. 8

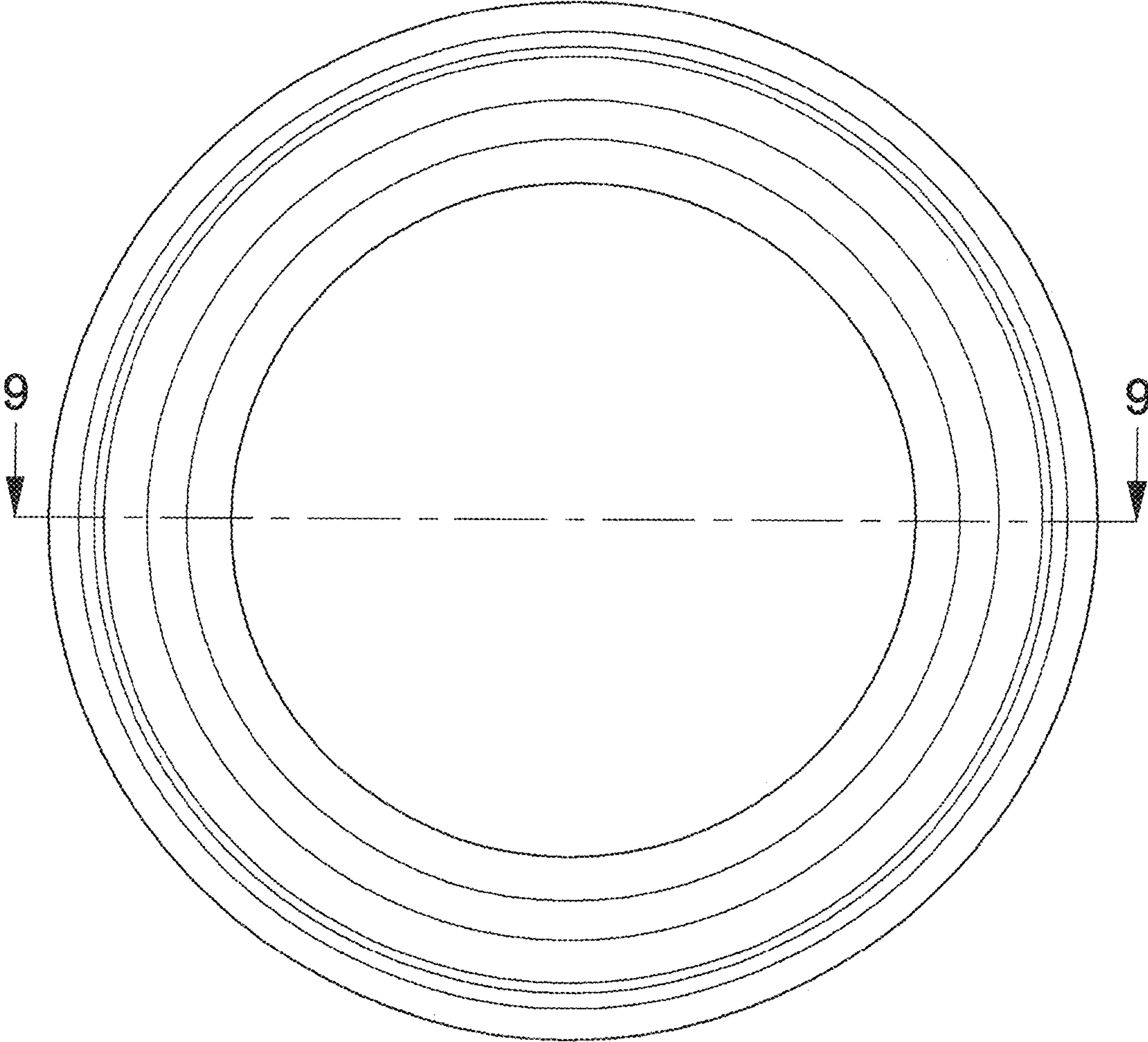


FIG. 9

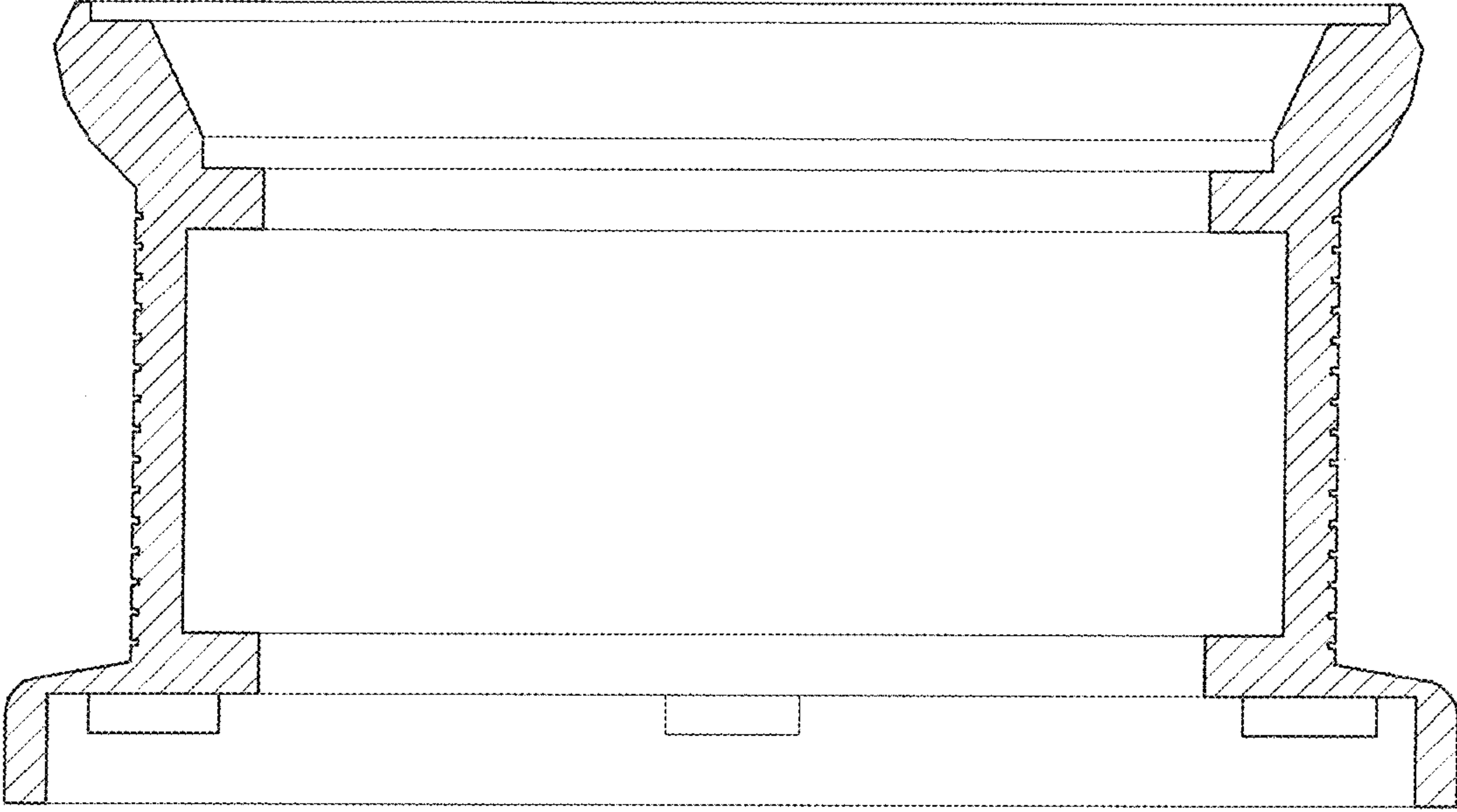


FIG. 10

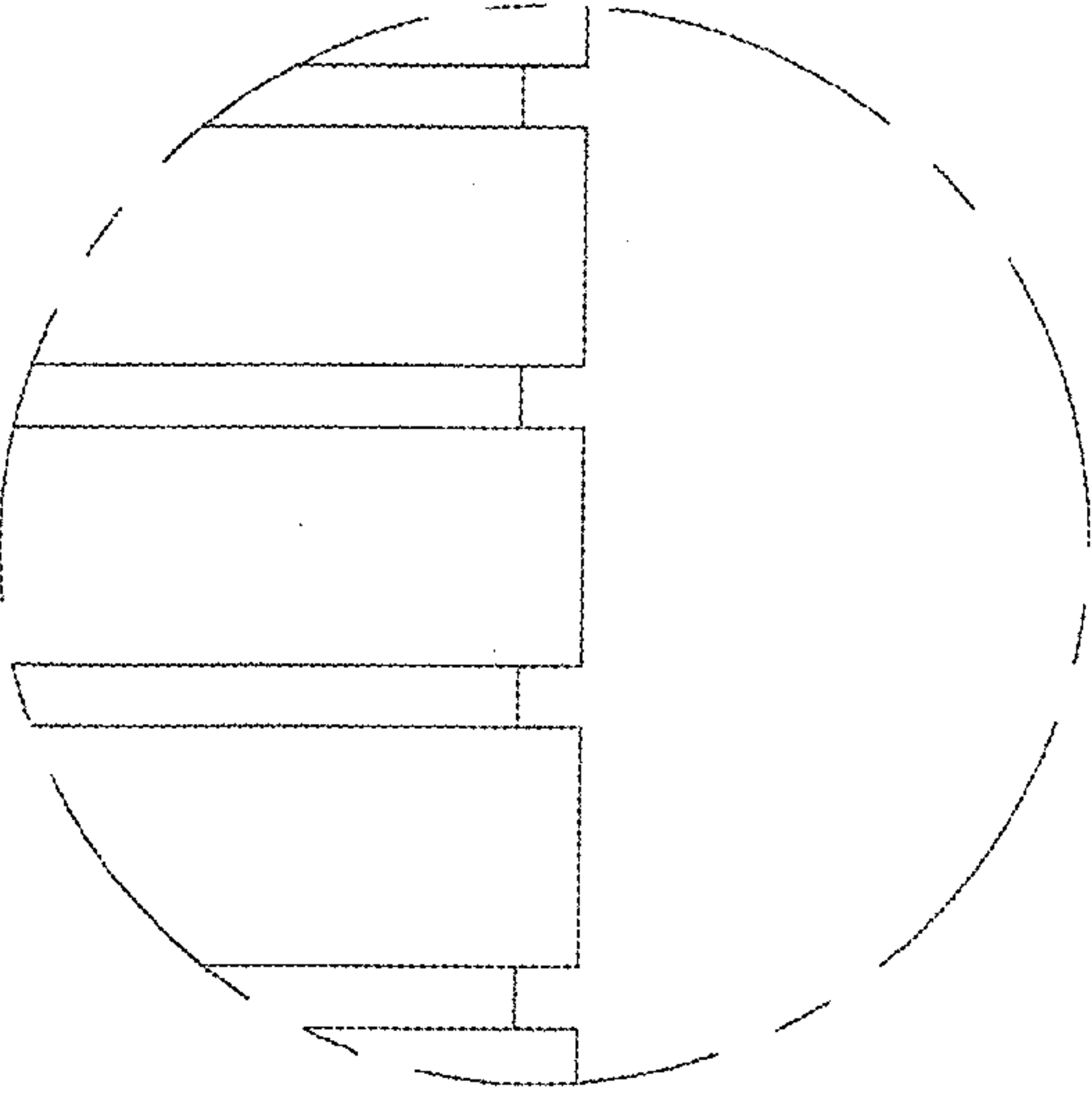


FIG. 11

