



US00D778399S

(12) **United States Design Patent**
Leier et al.

(10) **Patent No.:** **US D778,399 S**

(45) **Date of Patent:** **** Feb. 7, 2017**

(54) **FLY CATCHER**

(71) Applicant: **Expectations, LLC**, Puyallup, WA (US)

(72) Inventors: **Christopher Henry Leier**, Taichung (TW); **Lo Pin Wang**, Taichung (TW)

(73) Assignee: **Expectations, LLC**, Puyallup, WA (US)

(**) Term: **15 Years**

(21) Appl. No.: **29/529,708**

(22) Filed: **Jun. 10, 2015**

(51) **LOC (10) Cl.** **22-06**

(52) **U.S. Cl.**
USPC **D22/122**

(58) **Field of Classification Search**
USPC D22/119-124; D30/115, 117, 124, 128;
D21/488; D14/204, 216, 221; D32/29.1;
D26/37; D9/424, 428, 432
CPC A01M 1/00; A01M 1/06; A01M 1/10;
A01M 1/103; A01M 1/106; A01M 1/14;
A01M 1/165; A01M 1/2005; A01M
1/2011; A01M 1/2016; A01M 2200/01;
A01M 2200/011; A01M 2200/012
See application file for complete search history.

(56) **References Cited**

U.S. PATENT DOCUMENTS

D89,900 S	*	5/1933	Lippert	D22/122
D292,311 S	*	10/1987	Joyaux	D23/366
D318,613 S	*	7/1991	Halm	D23/366
5,987,810 A	*	11/1999	Nash	A01M 1/2005 43/107
D650,464 S	*	12/2011	wi toslawski	D22/122
D650,882 S	*	12/2011	wi toslawski	D22/122

D714,416 S	*	9/2014	Sehl	D22/122
D715,892 S	*	10/2014	Zhang	D22/122
D716,907 S	*	11/2014	Zhang	D22/122
D720,332 S	*	12/2014	Kim	D14/216
D756,327 S	*	5/2016	Conti	D14/204
D759,191 S	*	6/2016	De Sousa Francisco	D22/122

FOREIGN PATENT DOCUMENTS

WO D078319-001 * 11/2012

* cited by examiner

Primary Examiner — Jeffrey D Asch

Assistant Examiner — Rebekah A Caruso

(74) *Attorney, Agent, or Firm* — Charles E. Baxley

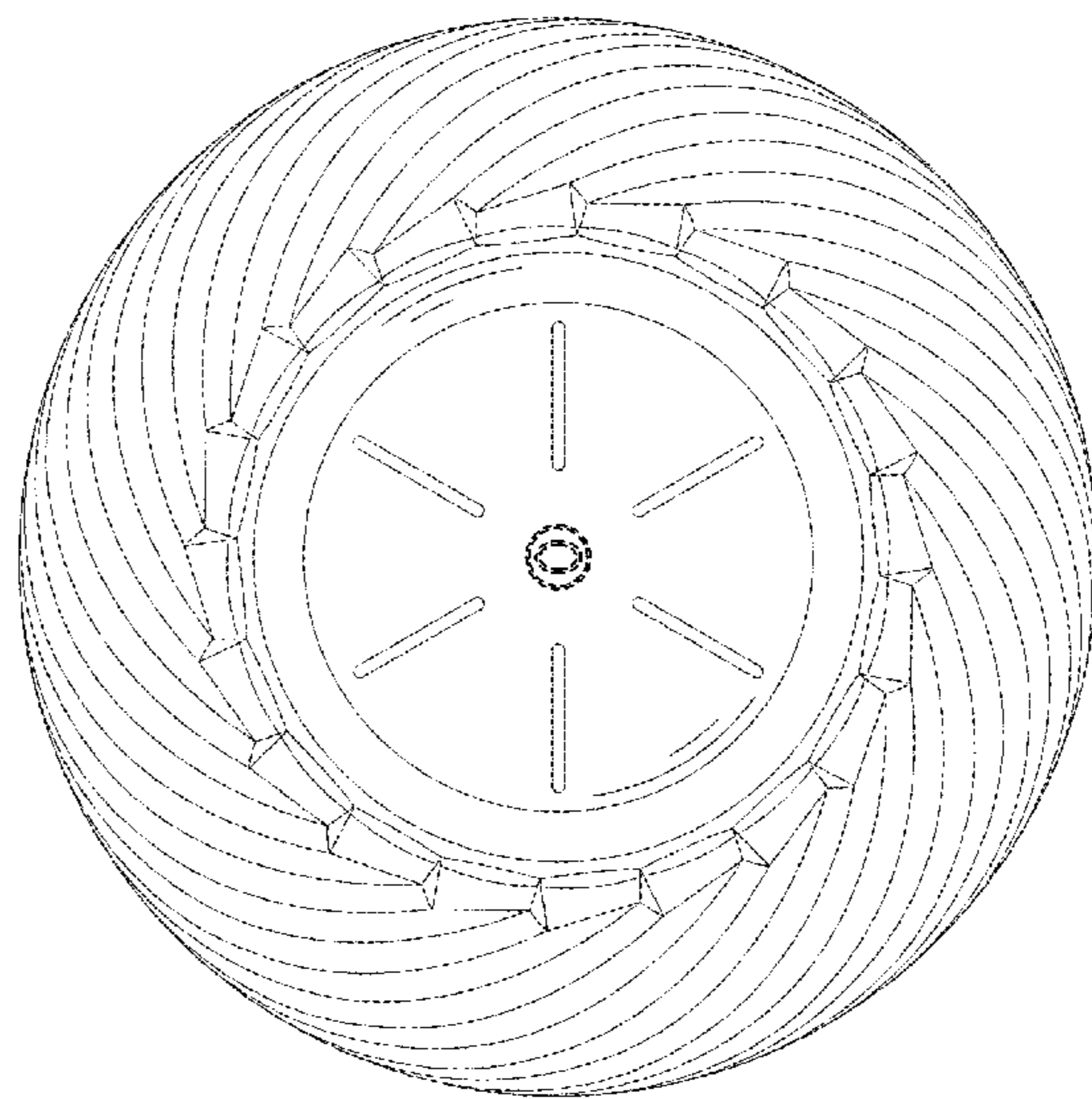
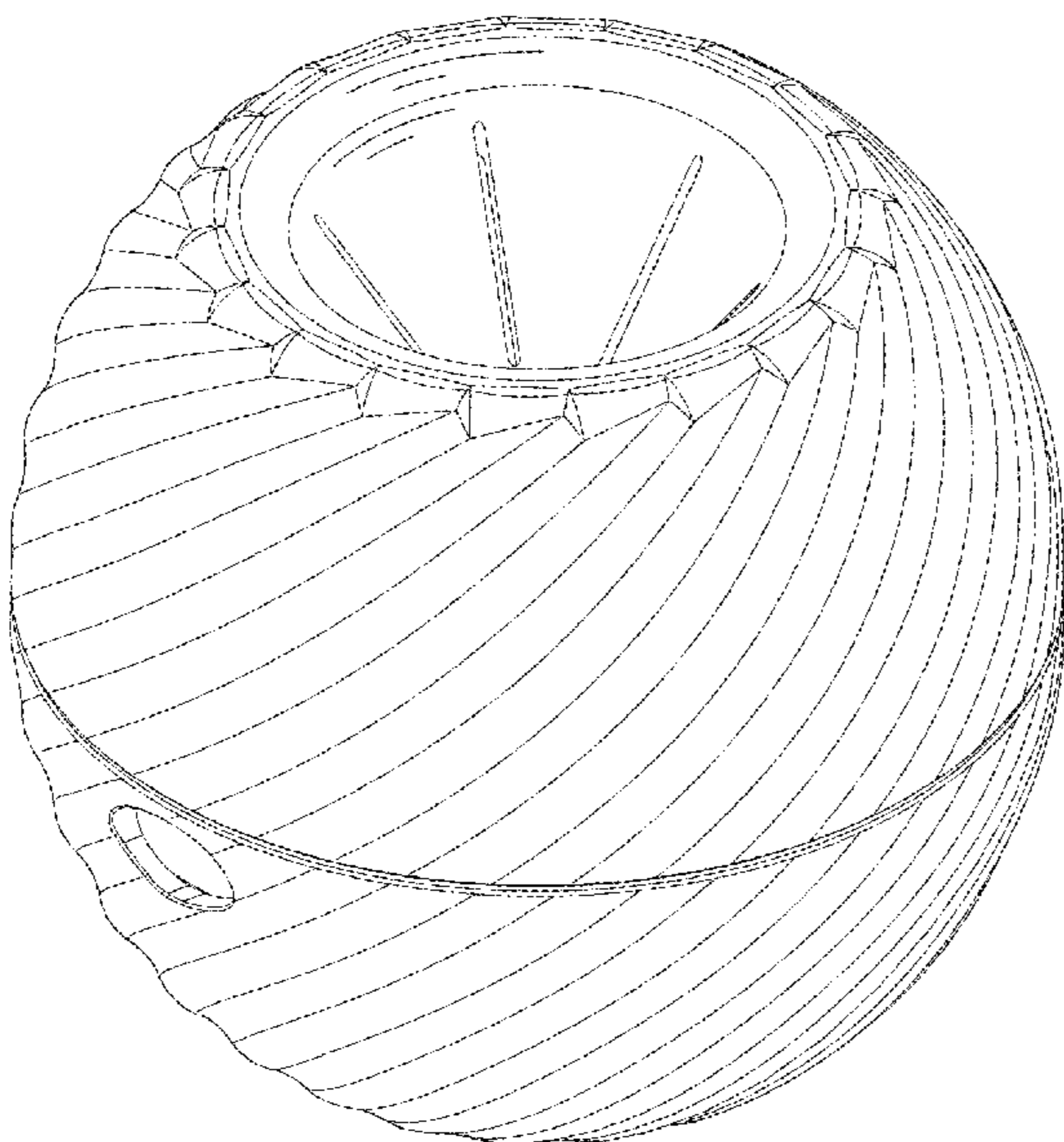
(57) **CLAIM**

The ornamental design for a fly catcher, as shown and described.

DESCRIPTION

FIG. 1 is a perspective view of a fly catcher showing our new design;
 FIG. 2 is a front elevational view thereof;
 FIG. 3 is a rear elevational view thereof;
 FIG. 4 is a top plan view thereof;
 FIG. 5 is a bottom plan view thereof;
 FIG. 6 is a left side elevational view thereof; and,
 FIG. 7 is a right side elevational view thereof.
 The outermost broken line at the center of FIG. 4 represent the bounds of the claim, while the broken lines at the center of FIG. 4 within the outermost broken line are directed to environment. The entire bottom surface of the flycatcher depicted in FIG. 5 from the solid line inwards, including the two broken line rings, forms no part of the claimed design. The broken lines form no part of the claimed design.

1 Claim, 4 Drawing Sheets



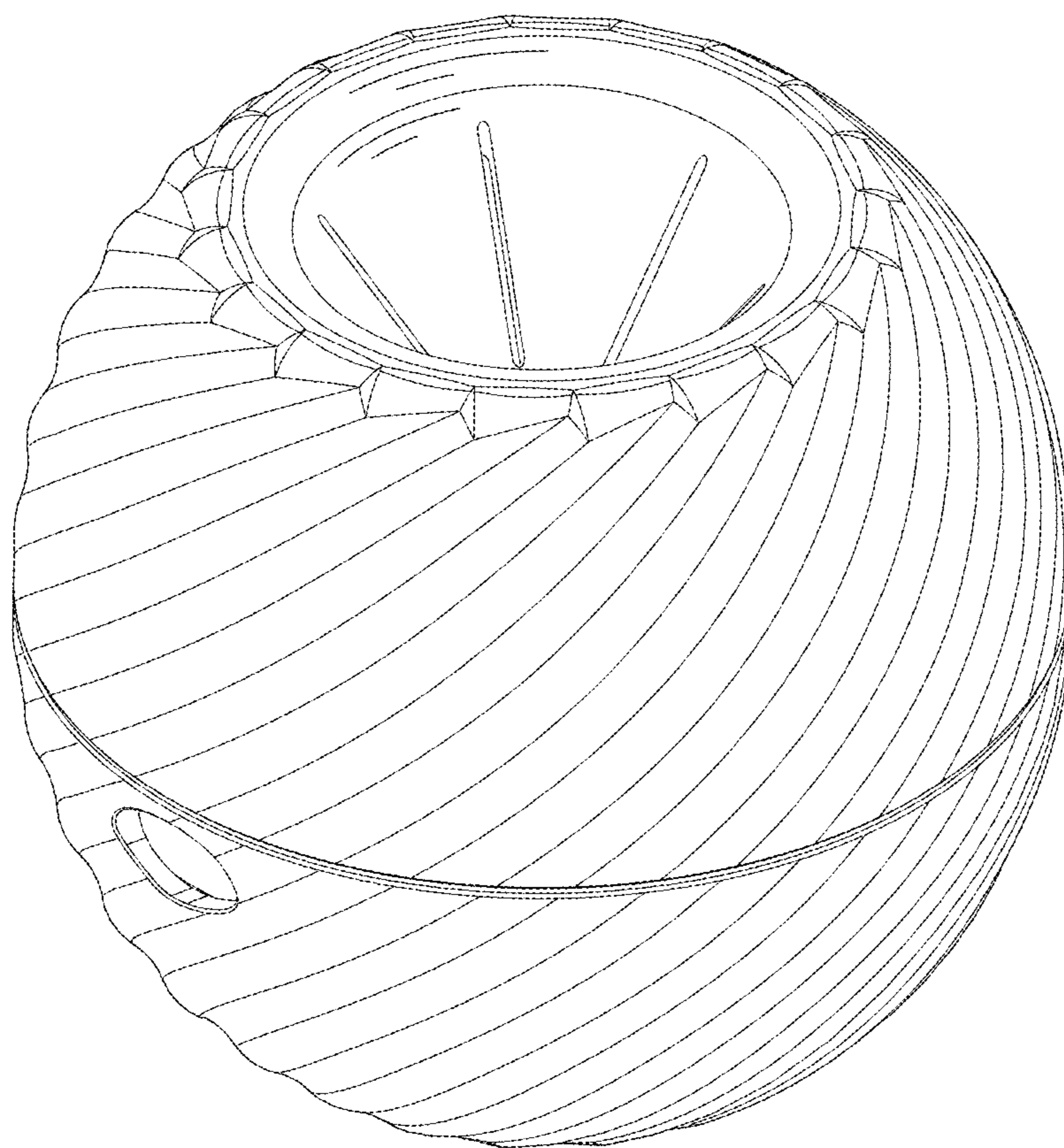


FIG. 1

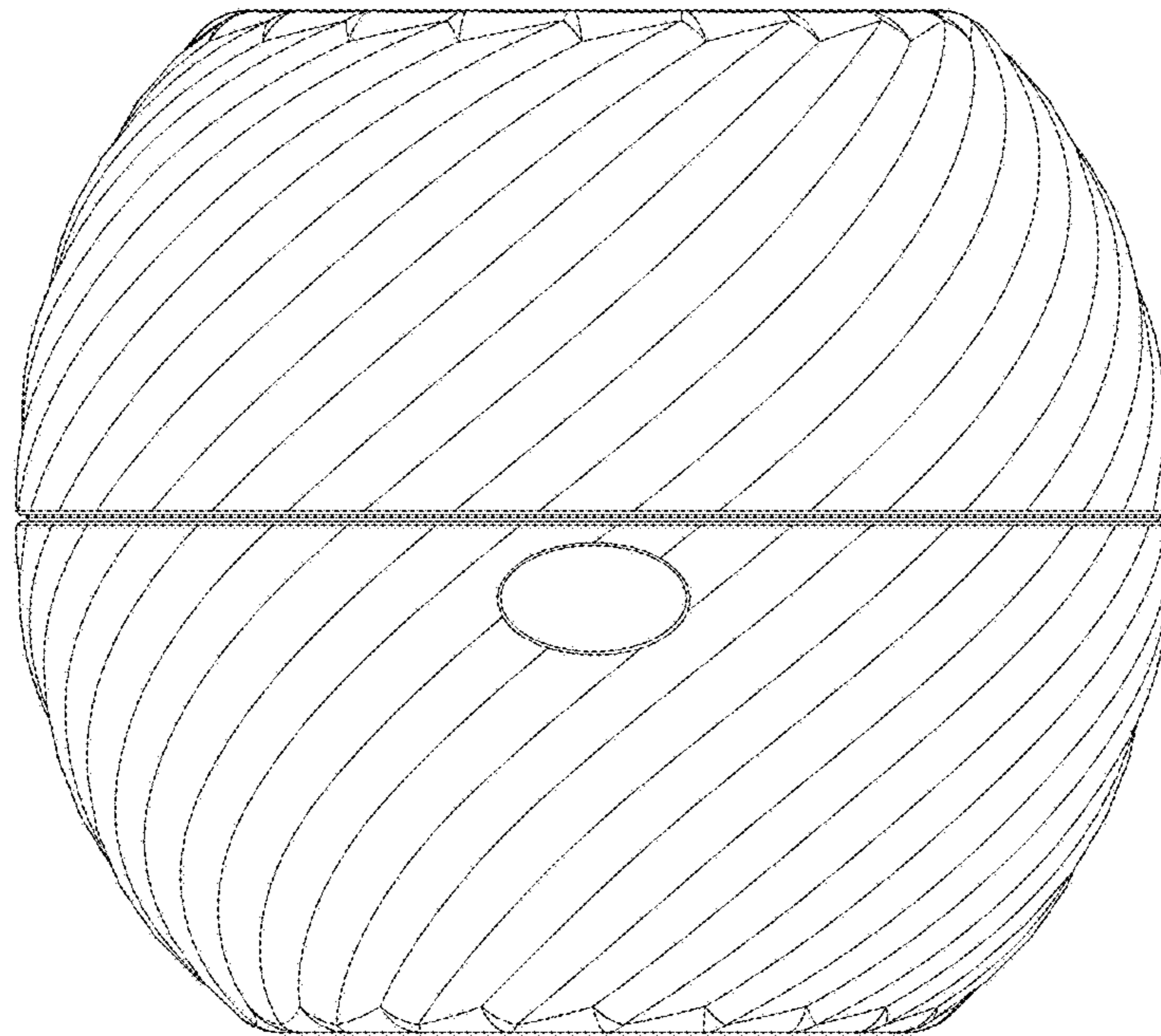


FIG. 2

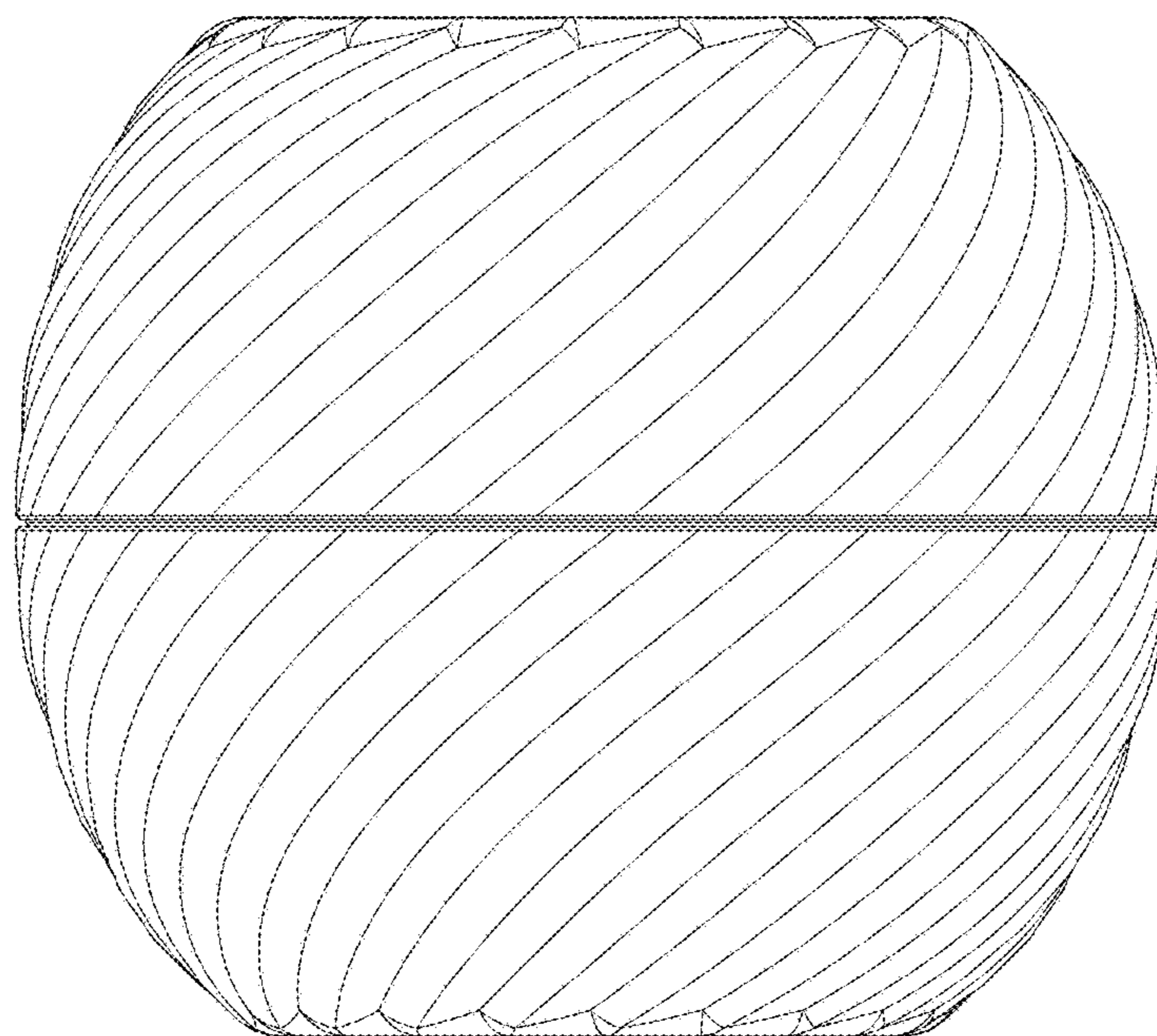


FIG. 3

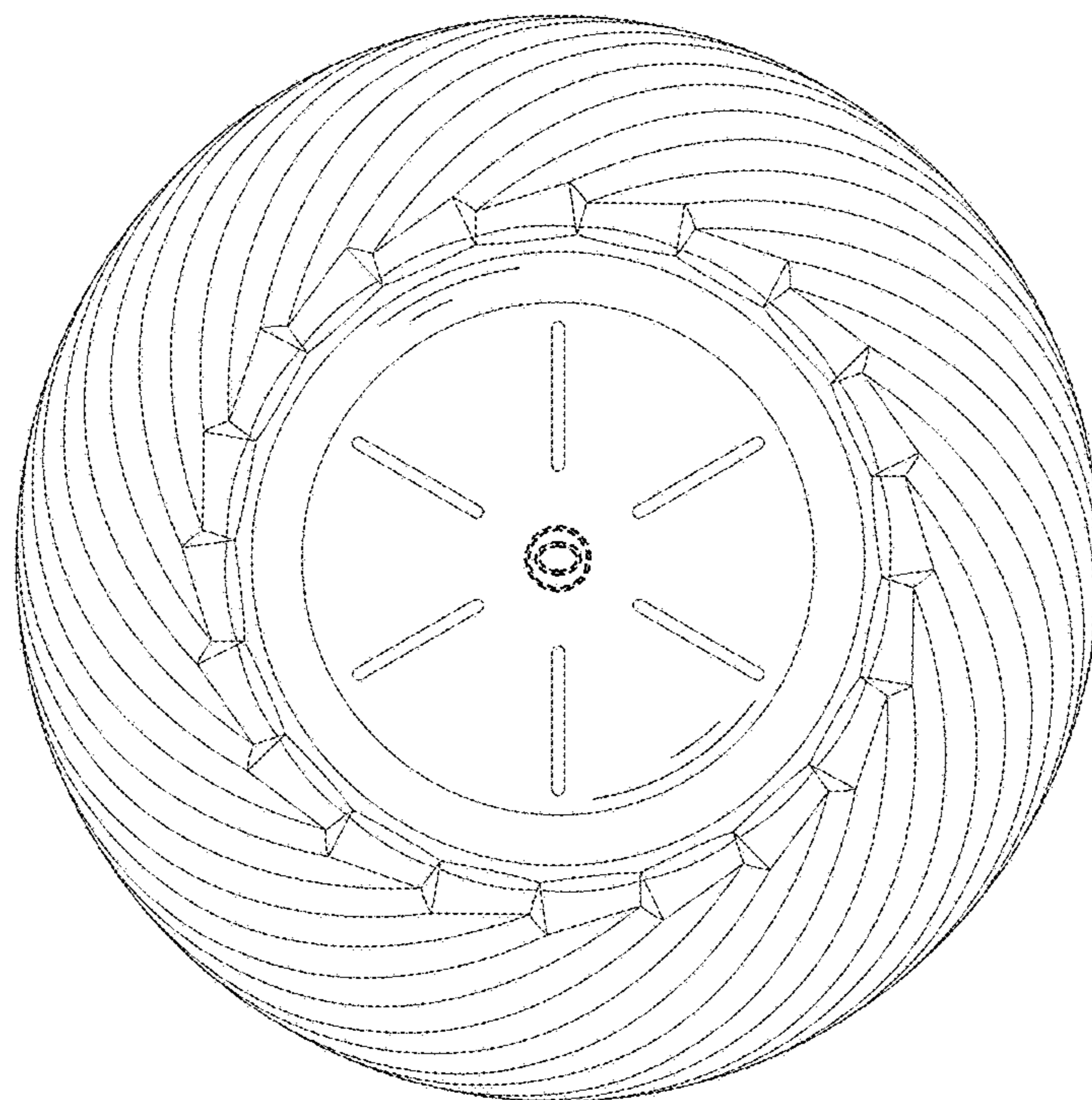


FIG. 4

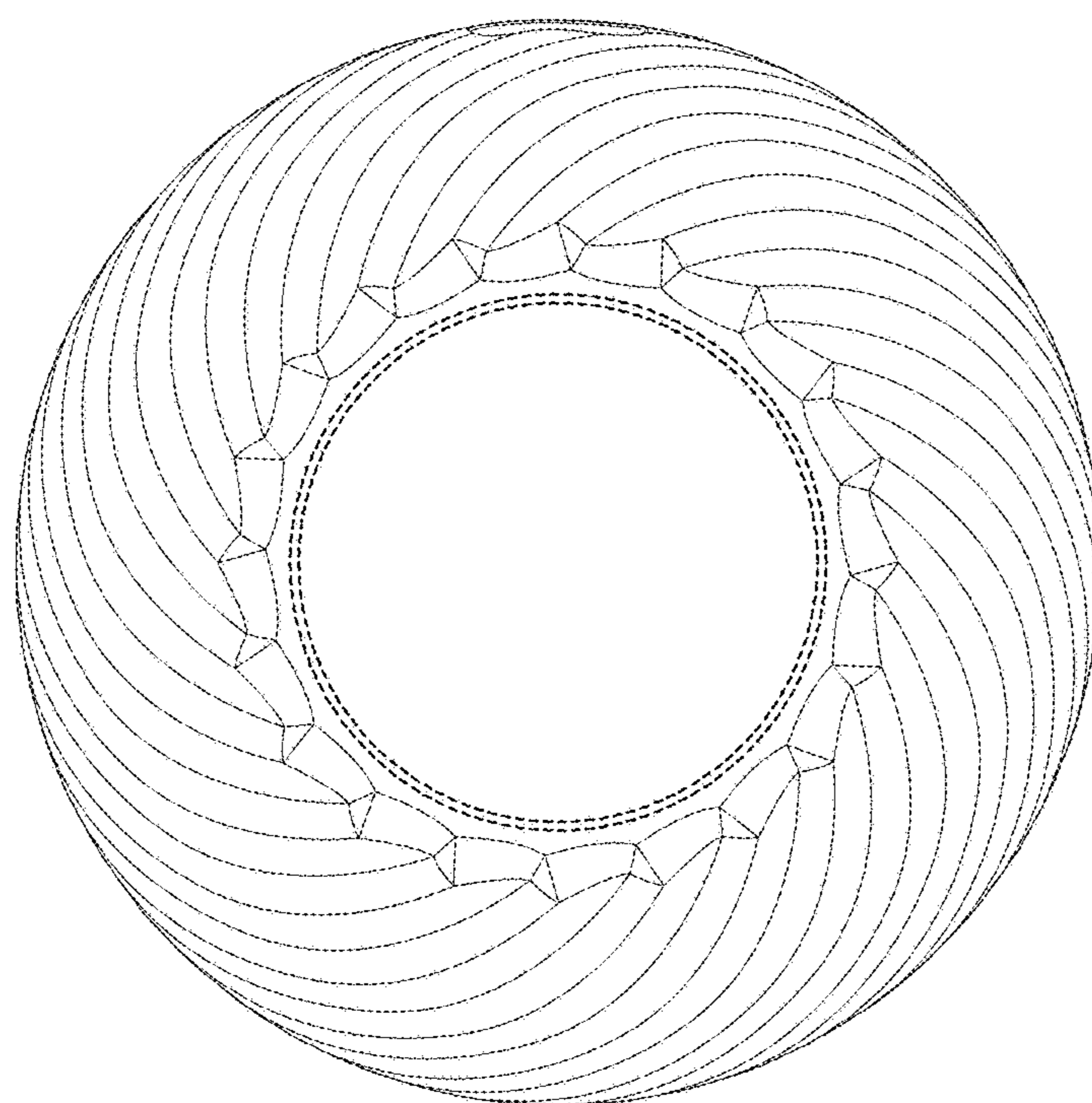


FIG. 5

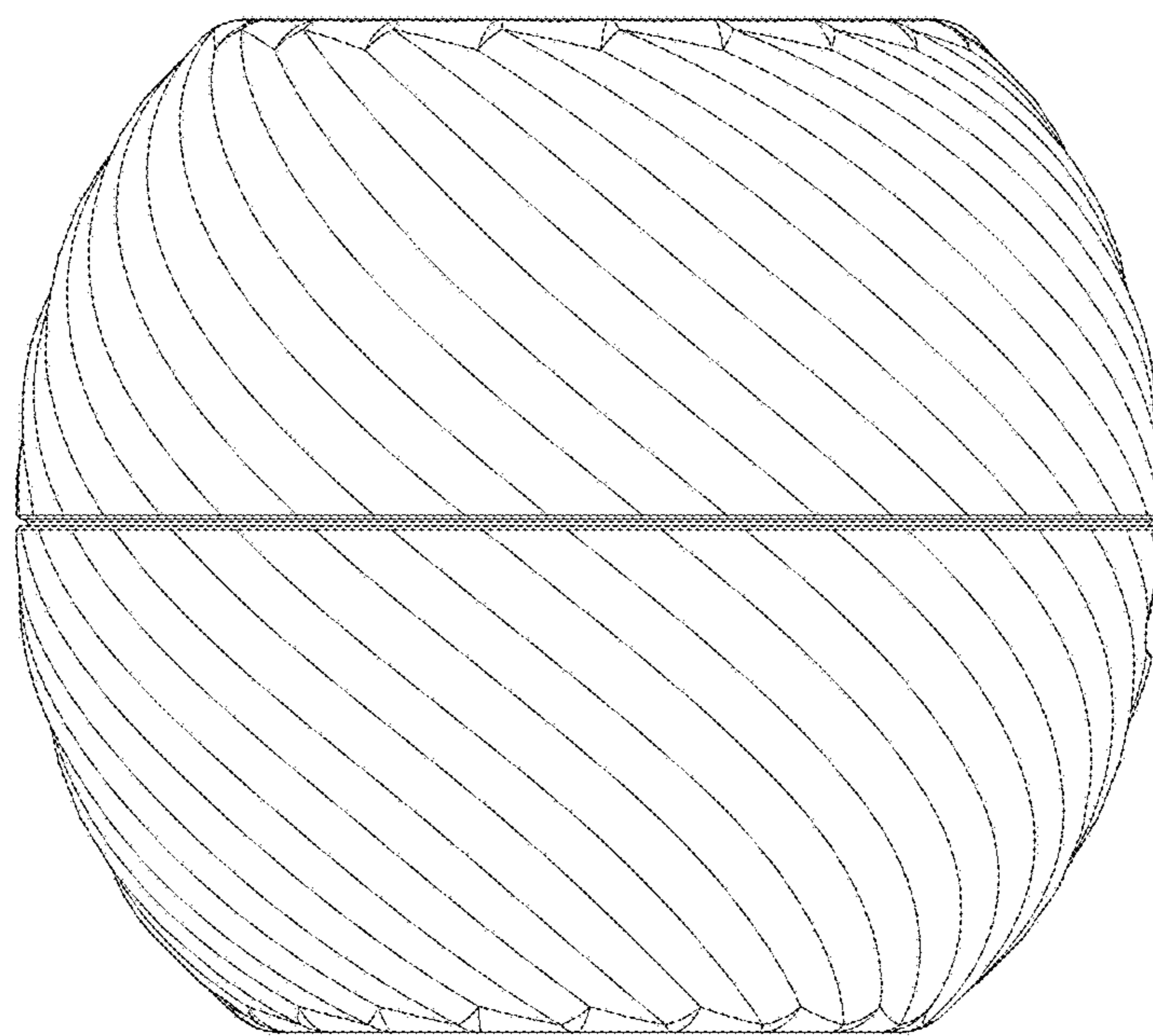


FIG. 6

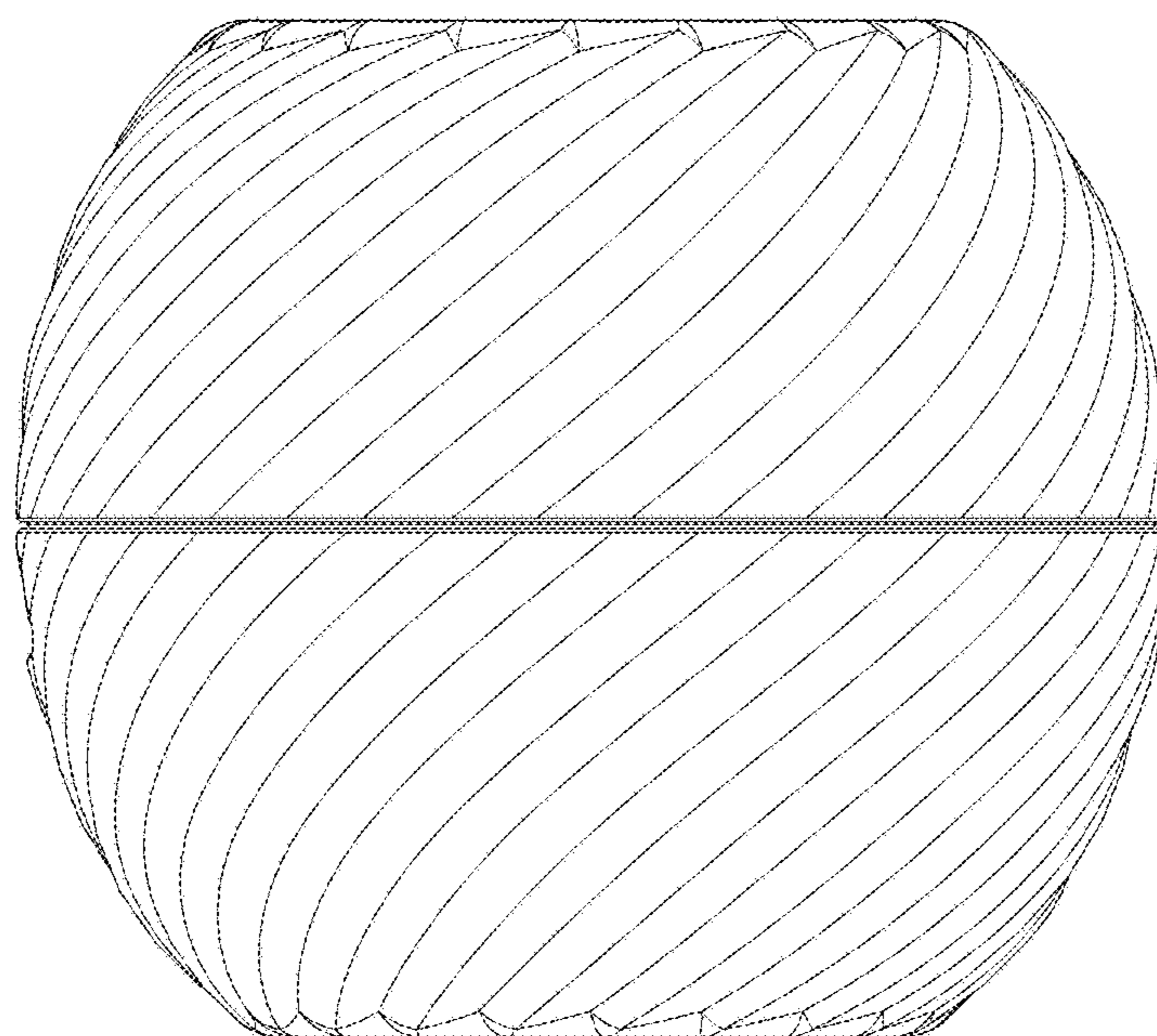


FIG. 7