



US00D778398S

(12) **United States Design Patent**  
**Leier et al.**

(10) **Patent No.:** **US D778,398 S**  
(45) **Date of Patent:** **\*\* Feb. 7, 2017**

(54) **FLY CATCHER**  
(71) Applicant: **Expectations, LLC**, Puyallup, WA (US)  
(72) Inventors: **Christopher Henry Leier**, Taichung, WA (US); **Lo Pin Wang**, Taichung (TW)  
(73) Assignee: **Expectations, LLC**, Puyallup, WA (US)  
(\*\*) Term: **15 Years**

(21) Appl. No.: **29/529,707**  
(22) Filed: **Jun. 10, 2015**  
(51) **LOC (10) Cl.** ..... **22-06**  
(52) **U.S. Cl.**  
USPC ..... **D22/122**  
(58) **Field of Classification Search**  
USPC ..... D22/119-124; D30/115, 117, 124, 128;  
D21/488; D14/204, 216, 221; D32/29.1;  
D26/37; D9/424, 428, 432  
CPC ..... A01M 1/00; A01M 1/06; A01M 1/10;  
A01M 1/103; A01M 1/106; A01M 1/14;  
A01M 1/165; A01M 1/2005; A01M  
1/2011; A01M 1/2016; A01M 2200/01;  
A01M 2200/011; A01M 2200/012  
See application file for complete search history.

(56) **References Cited**  
U.S. PATENT DOCUMENTS

D89,900 S \* 5/1933 Lippert ..... D22/122  
D292,311 S \* 10/1987 Joyaux ..... D23/366

D318,613 S \* 7/1991 Halm ..... D23/366  
5,987,810 A \* 11/1999 Nash ..... A01M 1/2005  
43/107  
D650,464 S \* 12/2011 wi toslawski ..... D22/122  
D650,882 S \* 12/2011 wi toslawski ..... D22/122  
D714,416 S \* 9/2014 Sehl ..... D22/122  
D715,892 S \* 10/2014 Zhang ..... D22/122  
D716,907 S \* 11/2014 Zhang ..... D22/122  
D720,332 S \* 12/2014 Kim ..... D14/216  
D756,327 S \* 5/2016 Conti ..... D14/204  
D759,191 S \* 6/2016 De Sousa Francisco .... D22/122

FOREIGN PATENT DOCUMENTS

WO D078319-001 \* 11/2012

\* cited by examiner

*Primary Examiner* — Jeffrey D Asch  
*Assistant Examiner* — Rebekah A Caruso

(74) *Attorney, Agent, or Firm* — Charles E. Baxley

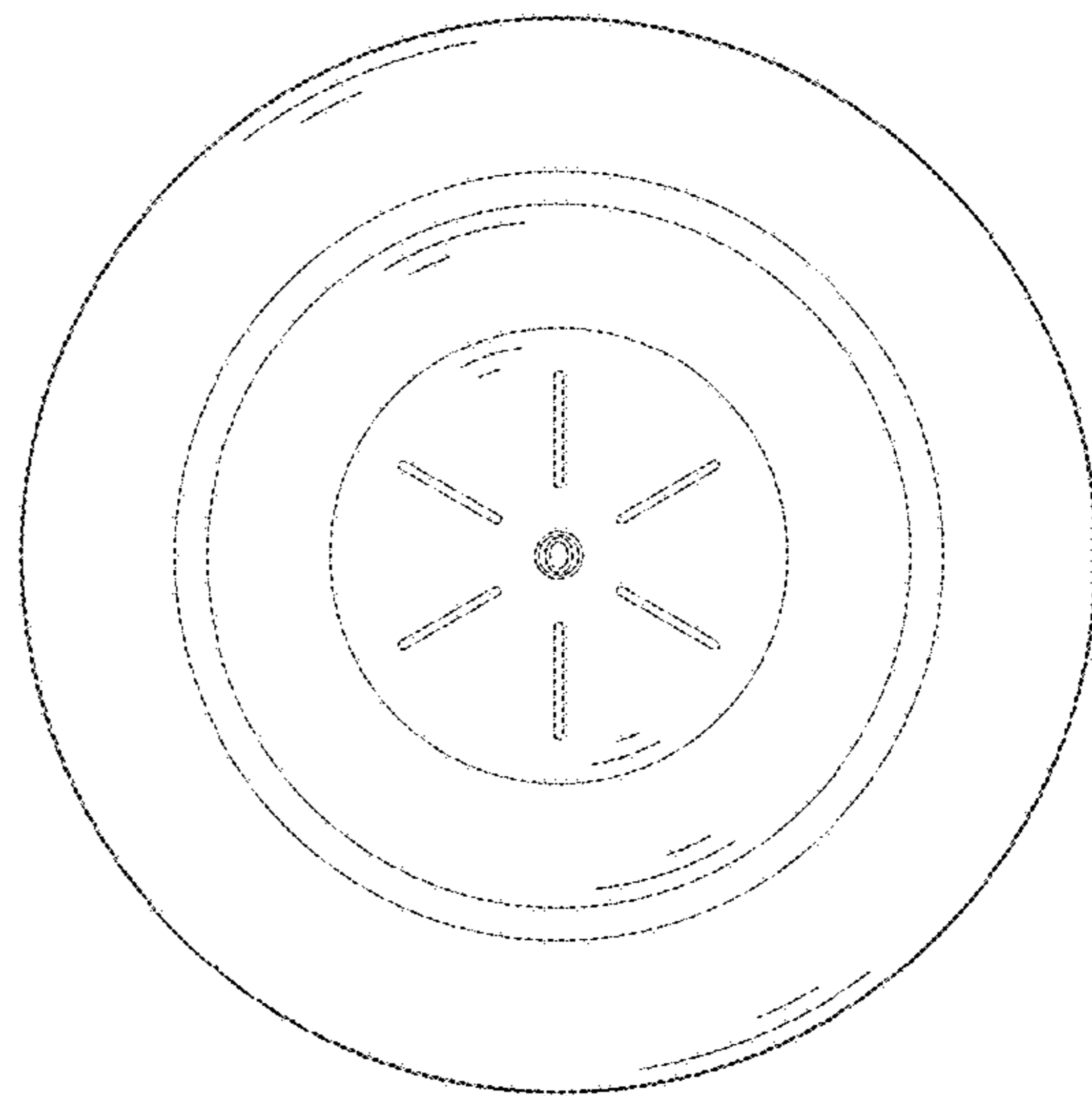
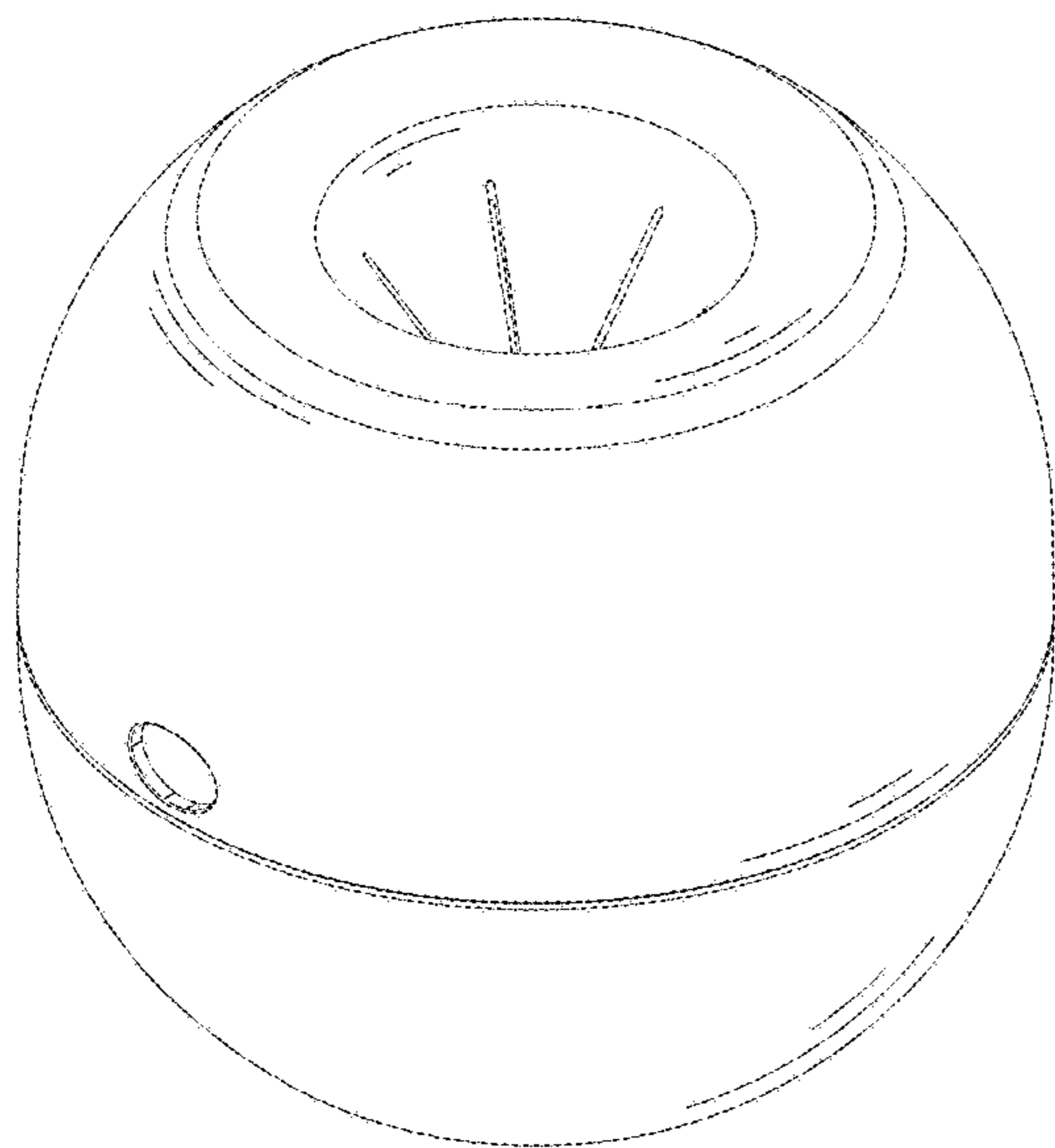
(57) **CLAIM**

The ornamental design for a fly catcher, as shown and described.

**DESCRIPTION**

FIG. 1 is a perspective view of a fly catcher showing our new design;  
FIG. 2 is a front elevational view thereof;  
FIG. 3 is a rear elevational view thereof;  
FIG. 4 is a top plan view thereof;  
FIG. 5 is a bottom plan view thereof;  
FIG. 6 is a left side elevational view thereof; and,  
FIG. 7 is a right side elevational view thereof.

**1 Claim, 4 Drawing Sheets**



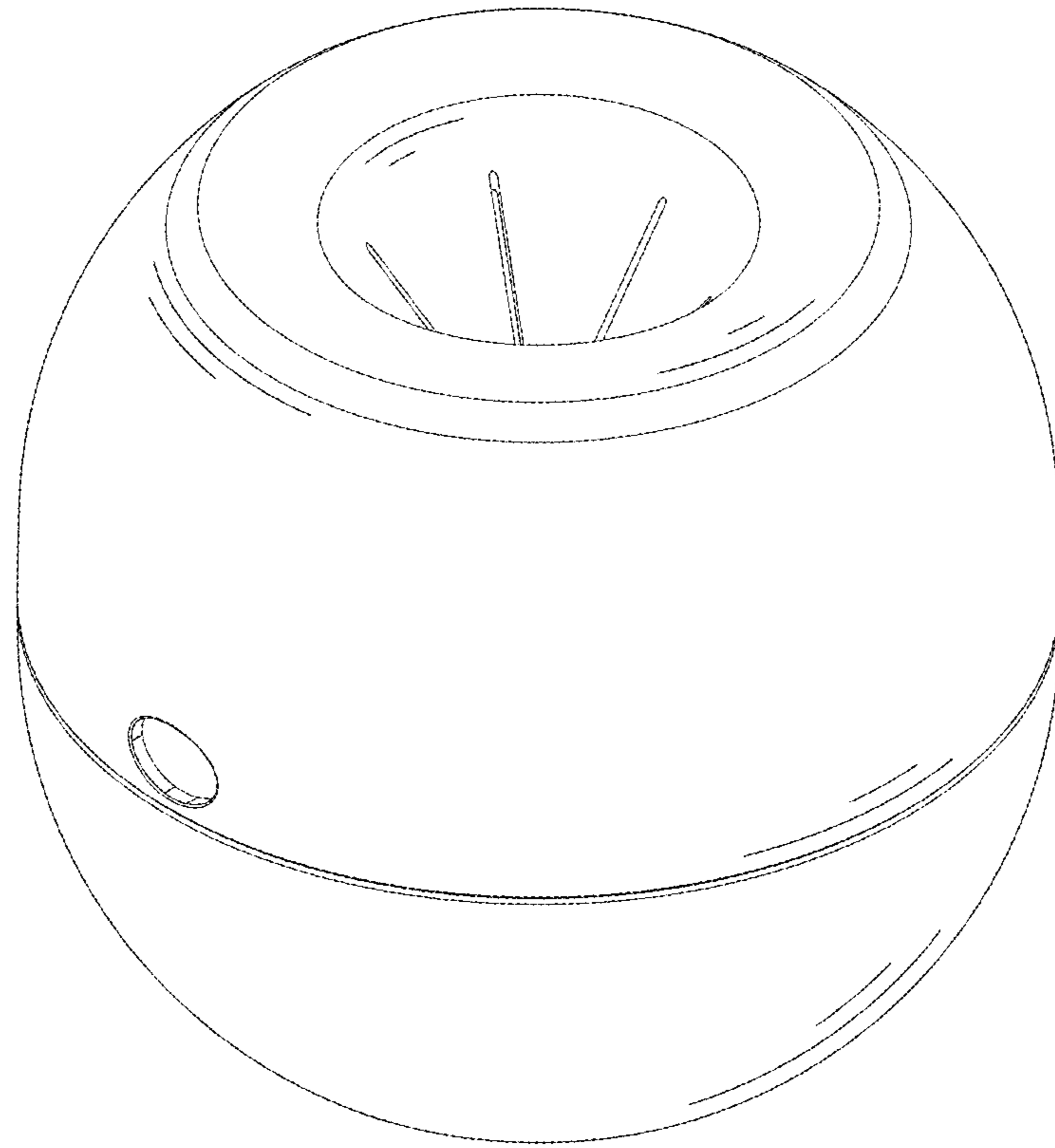


FIG. 1

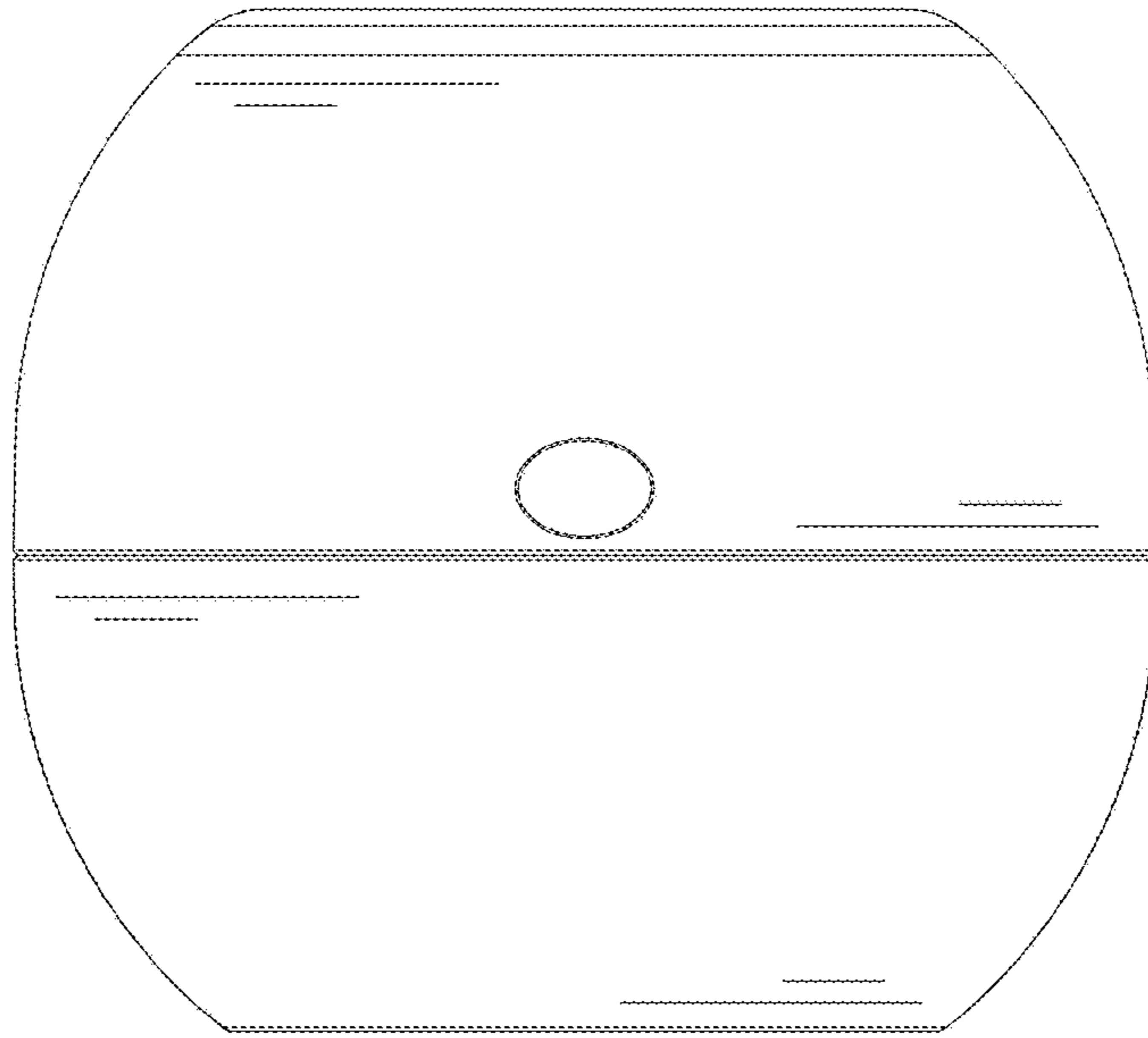


FIG. 2

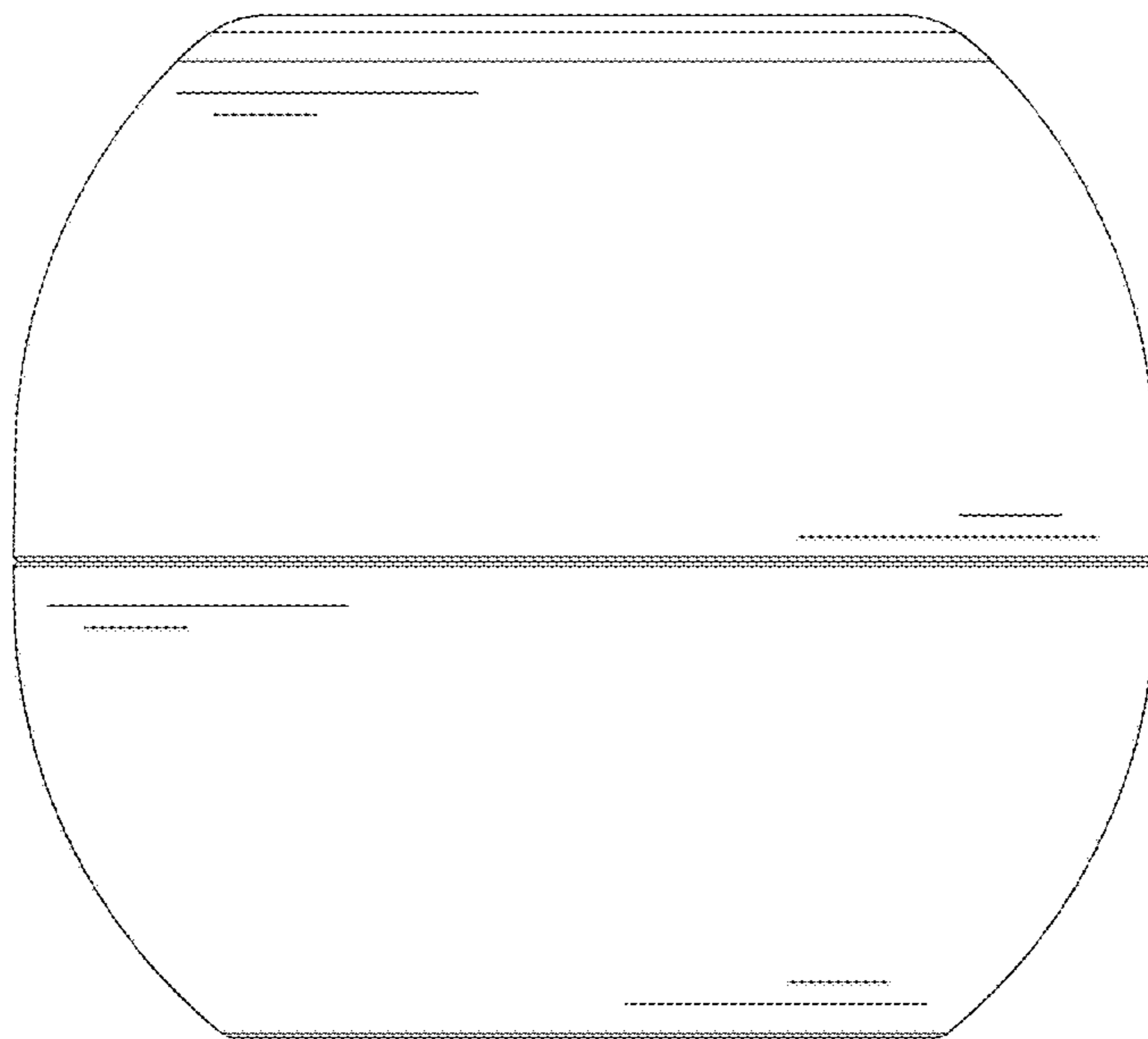


FIG. 3

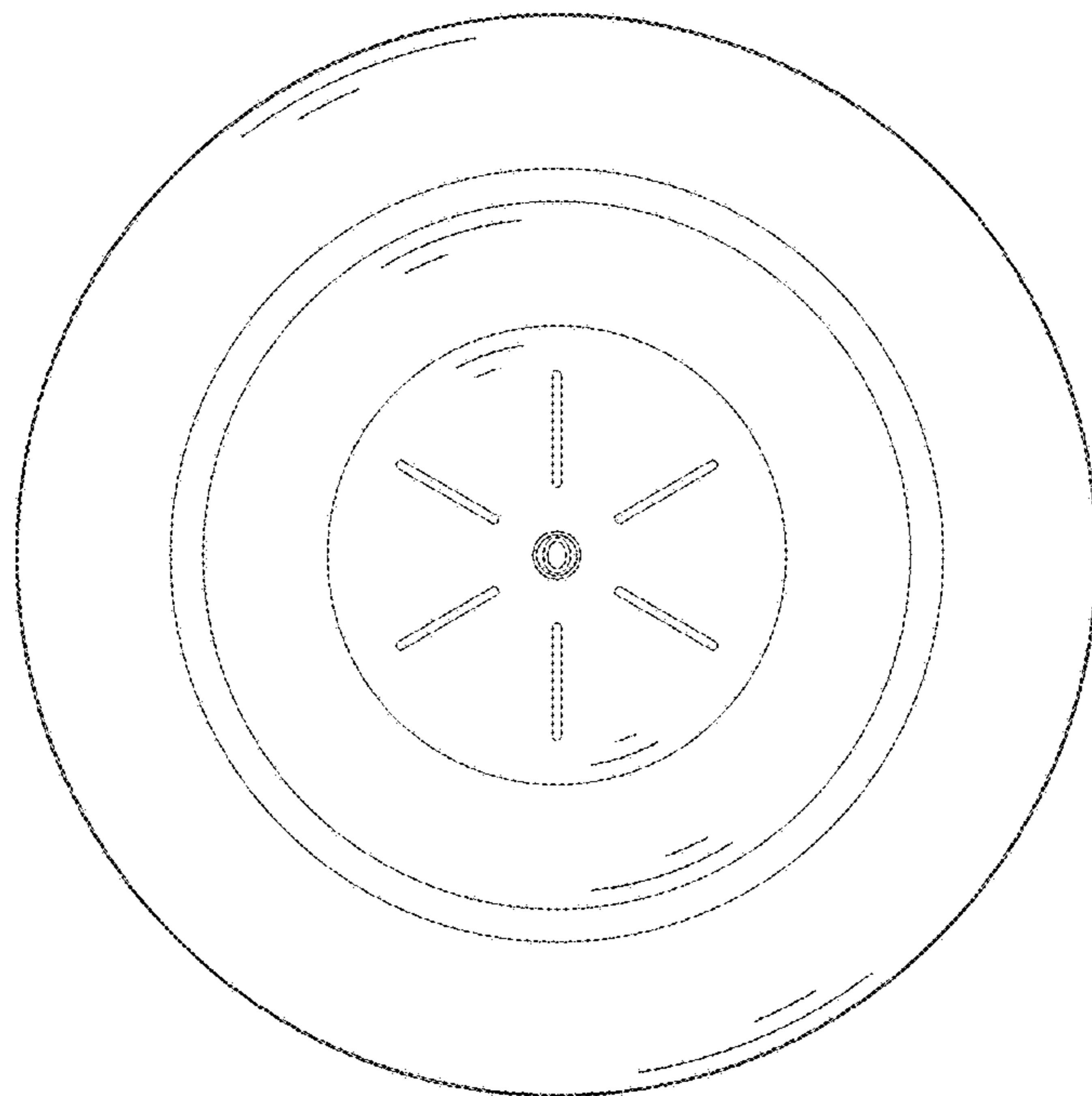


FIG. 4

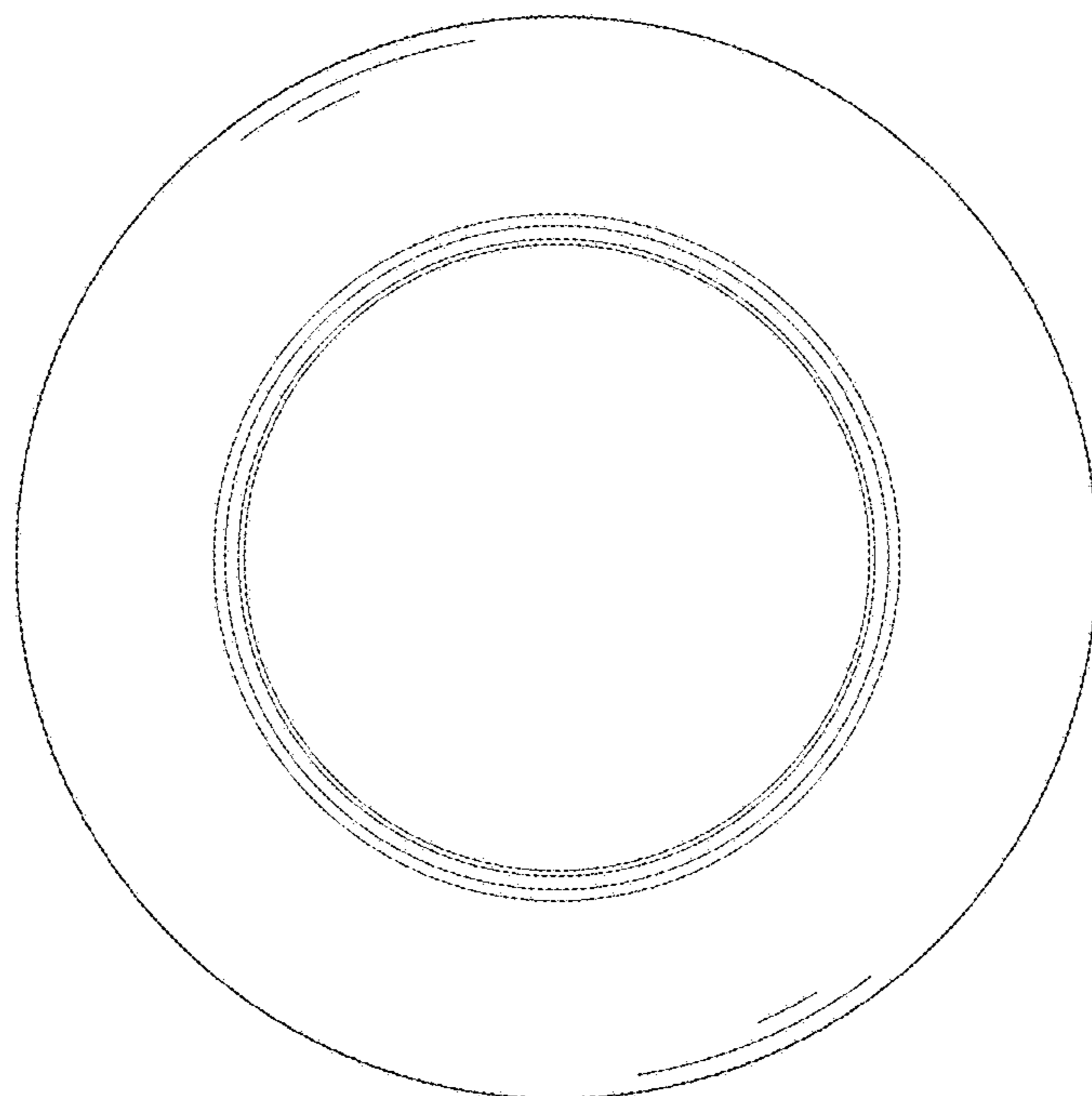


FIG. 5

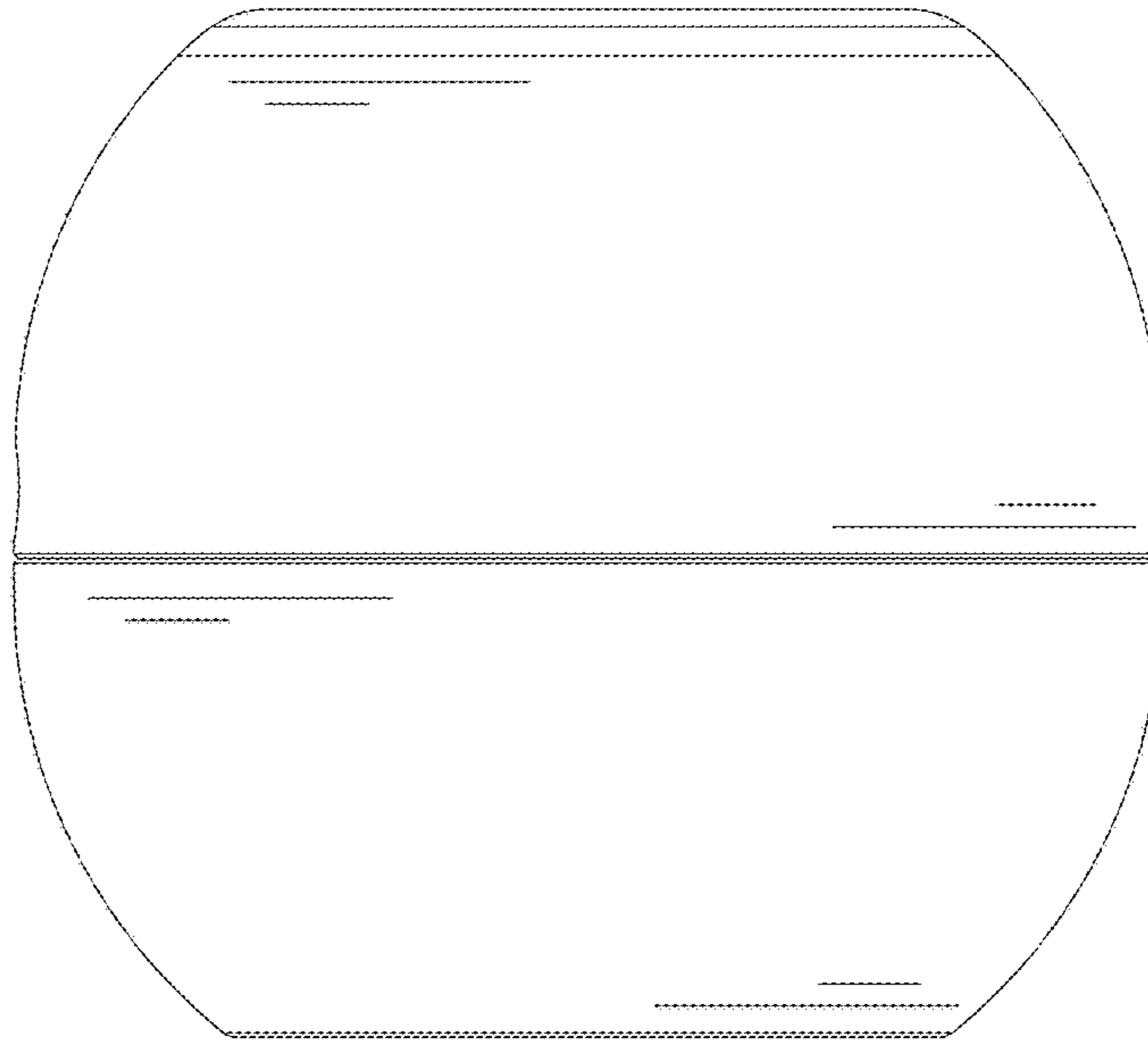


FIG. 6

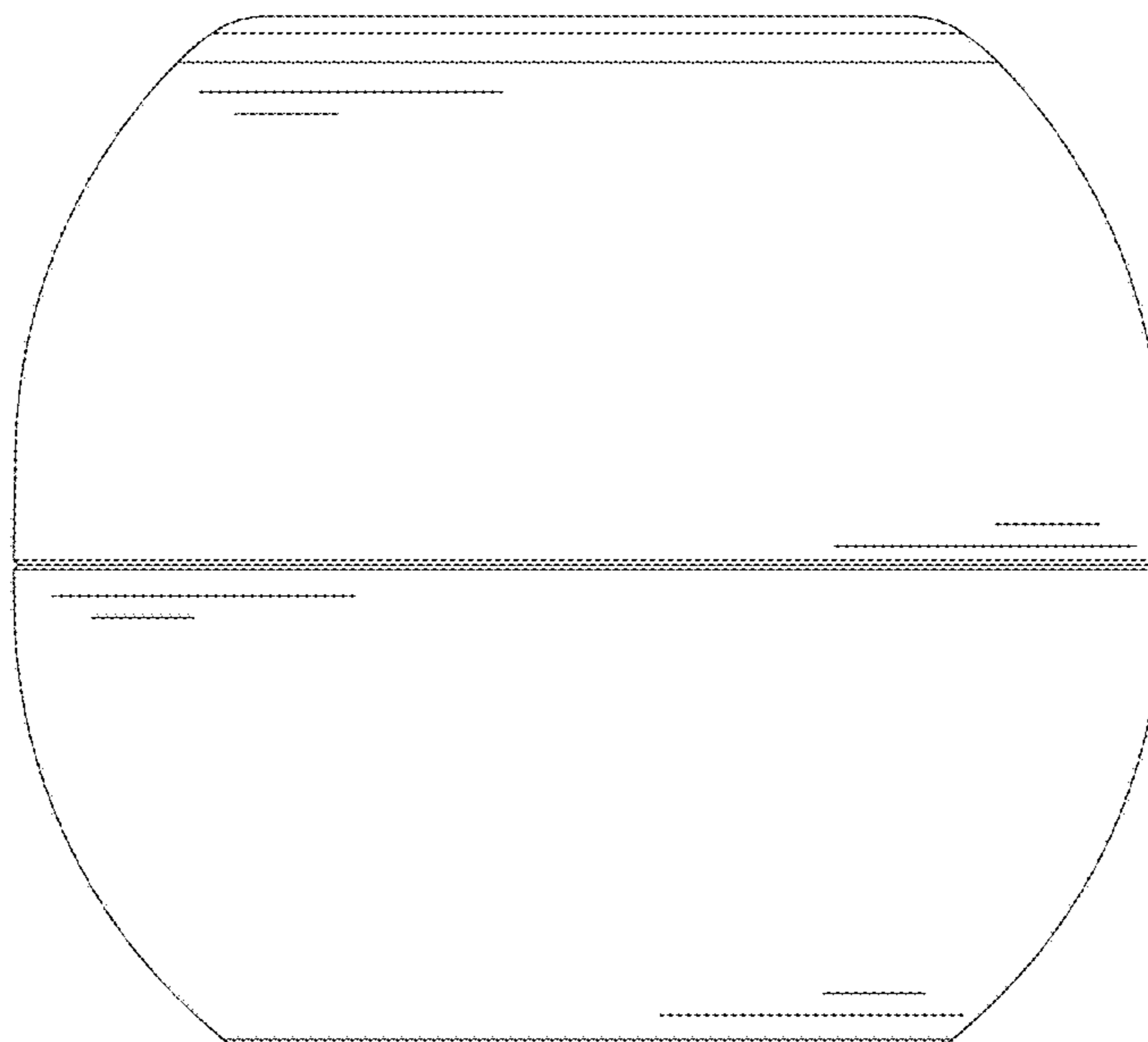


FIG. 7