



US00D778396S

(12) **United States Design Patent** (10) **Patent No.:** **US D778,396 S**
Stethem (45) **Date of Patent:** **** Feb. 7, 2017**

(54) **BATON**
(71) Applicant: **Aegis Industries, Inc.**, Rockville, MD (US)
(72) Inventor: **Kenneth J. Stethem**, Rockville, MD (US)
(73) Assignee: **AEGIS INDUSTRIES, INC.**, Rockville, MD (US)

2,266,606 A 12/1941 Jones
2,561,122 A 7/1951 Juergens
3,362,711 A 1/1968 Larsen et al.
3,385,601 A 5/1968 Black
3,484,665 A 12/1969 Ormsby
3,625,222 A 12/1971 Shimizu et al.
3,635,374 A 1/1972 Anketell
3,819,108 A 6/1974 Jordan
(Continued)

(**) Term: **15 Years**
(21) Appl. No.: **29/538,190**

FOREIGN PATENT DOCUMENTS
DE 2723997 11/1978
DE 20212940 12/2002
NL 6816116 5/1970

(22) Filed: **Sep. 1, 2015**
(51) **LOC (10) Cl.** **22-02**
(52) **U.S. Cl.**
USPC **D22/117**
(58) **Field of Classification Search**
USPC D8/32, 60, 68; D10/78, 79, 95; D22/117,
D22/123; D23/230, 233, 244, 245, 248,
D23/249, 250, 257, 421; D25/41.1, 42,
D25/43, 44, 61, 127
CPC F41B 15/02; A63B 59/00
See application file for complete search history.

OTHER PUBLICATIONS

Monadnock Lifetime Products, Inc., "PR-24® Specification," (1 pg.), undated.

(Continued)

Primary Examiner — Manpreet Matharu
Assistant Examiner — Suzanne Tisdell

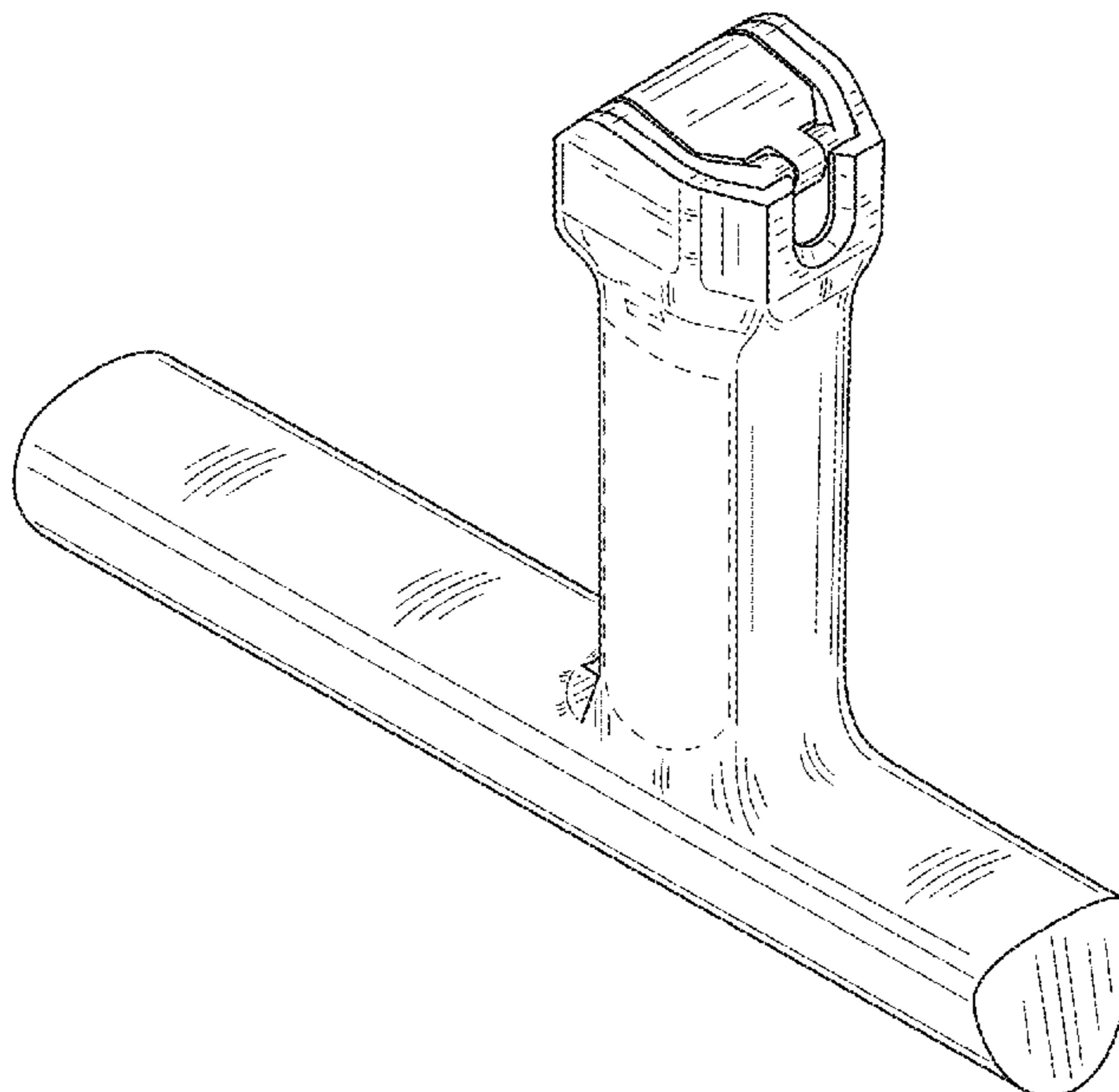
(57) **CLAIM**
The ornamental design for a baton, as shown.

DESCRIPTION

FIG. 1 is a perspective view of a baton showing my new design.
FIG. 2 is a right elevation view of the baton of FIG. 1.
FIG. 3 is a left elevation view of the baton of FIG. 1.
FIG. 4 is a front elevation view of the baton of FIG. 1.
FIG. 5 is a rear elevation view of the baton of FIG. 1.
FIG. 6 is a top plan view of the baton of FIG. 1; and,
FIG. 7 is a bottom plan view of the baton of FIG. 1.
The broken lines depict portions of the baton that form no part of the claimed design.

(56) **References Cited**
U.S. PATENT DOCUMENTS
291,242 A 1/1884 Tower
427,549 A 5/1890 Burton
769,880 A 9/1904 Trout et al.
1,158,473 A 11/1915 Floyd
1,823,407 A 9/1931 Potter
1,986,682 A 1/1935 Schulz
2,176,994 A 10/1939 Hansen et al.
2,208,852 A 7/1940 Mongan
2,253,315 A 8/1941 Andrus

1 Claim, 6 Drawing Sheets



(56)

References Cited

U.S. PATENT DOCUMENTS

D232,234 S 7/1974 Freed
 D243,261 S 2/1977 Sartell
 4,092,695 A 5/1978 Henderson et al.
 D255,139 S 5/1980 Smith
 4,257,181 A 3/1981 Cooper
 4,424,932 A 1/1984 Allen
 D273,216 S 3/1984 Sinrod
 4,479,171 A 10/1984 Mains
 4,486,807 A 12/1984 Yanez
 D277,596 S 2/1985 Nishiuchi
 4,522,398 A 6/1985 Swartz et al.
 D282,863 S 3/1986 Kashary, Jr.
 D289,313 S 4/1987 Shy et al.
 4,667,431 A 5/1987 Mendocino
 4,677,784 A 7/1987 Butkus
 4,719,534 A 1/1988 Ward
 4,739,990 A 4/1988 Aguirre et al.
 D300,838 S 4/1989 Smith, Sr.
 4,842,277 A 6/1989 LaCroix
 4,852,454 A 8/1989 Batchelder
 4,949,966 A 8/1990 Bopp
 4,964,636 A 10/1990 Ashihara et al.
 4,968,034 A 11/1990 Hsieh et al.
 D315,391 S 3/1991 Fabrey
 D315,392 S 3/1991 Lew
 5,041,951 A 8/1991 Fan et al.
 D320,428 S * 10/1991 Rust D22/117
 5,060,123 A 10/1991 Arnold
 5,086,377 A 2/1992 Roberts
 5,108,098 A 4/1992 Ashihara et al.
 D329,510 S 9/1992 Lin et al.
 D333,692 S 3/1993 Parsons
 D333,693 S 3/1993 Parsons
 5,192,074 A 3/1993 Ashihara et al.
 5,193,048 A 3/1993 Kaufman et al.
 5,197,734 A 3/1993 Ashihara et al.
 D334,790 S * 4/1993 Jaramillo D22/117
 5,320,349 A 6/1994 Winston
 D348,771 S 7/1994 Barnes
 5,347,436 A 9/1994 Clyde et al.
 5,348,296 A 9/1994 Frederiksen
 D351,640 S 10/1994 de Anda et al.
 5,363,285 A 11/1994 Wideman
 5,405,134 A 4/1995 Wolfram
 5,407,197 A 4/1995 Parsons
 D359,338 S 6/1995 Starrett
 D360,007 S 7/1995 Farr
 D363,674 S * 10/1995 Bonsall D10/106.1
 5,467,247 A 11/1995 de Anda et al.
 D365,622 S 12/1995 Edwards
 D370,276 S 5/1996 Davis
 5,529,300 A 6/1996 Frazier et al.
 5,533,295 A 7/1996 Hochberger
 5,546,693 A 8/1996 Stockton et al.
 D376,024 S * 11/1996 Ryan D22/117
 5,654,867 A 8/1997 Murray
 5,698,815 A 12/1997 Ragner
 D391,336 S 2/1998 Cecilio
 D395,069 S 6/1998 Starrett
 D401,374 S 11/1998 Lum
 5,829,643 A 11/1998 Isabella
 5,839,461 A 11/1998 Lambeth, Jr.
 5,842,601 A 12/1998 Pierpoint
 5,842,602 A 12/1998 Pierpoint
 D404,789 S 1/1999 Starrett
 5,962,806 A 10/1999 Coakley et al.
 5,986,872 A 11/1999 Chaput
 D418,617 S 1/2000 Parsons
 6,022,120 A 2/2000 Chang et al.
 D421,503 S 3/2000 Parsons
 6,091,597 A 7/2000 Lin et al.
 D435,888 S 1/2001 Iyoob
 6,196,921 B1 3/2001 Larson
 D440,273 S 4/2001 Hindi
 6,256,916 B1 7/2001 McNulty

6,293,684 B1 9/2001 Riblett
 D450,451 S 11/2001 Starrett
 D452,545 S 12/2001 Starrett
 6,386,726 B1 5/2002 Macierowski et al.
 D464,367 S 10/2002 Conrad
 D467,828 S 12/2002 Jones
 6,499,855 B1 12/2002 Kukuk
 6,546,661 B1 4/2003 Staubs
 D474,827 S 5/2003 Todd
 D479,298 S 9/2003 Parsons
 6,615,622 B2 9/2003 MacAleese et al.
 6,636,412 B2 10/2003 Smith
 6,643,114 B2 11/2003 Stethem
 D483,432 S 12/2003 Parsons
 D483,436 S 12/2003 Tull
 6,658,779 B2 12/2003 Bauer et al.
 D485,601 S 1/2004 Bertram
 6,675,073 B2 1/2004 Kierman et al.
 D487,629 S 3/2004 Parsons et al.
 D491,624 S 6/2004 Contarino, Jr.
 6,791,816 B2 9/2004 Stethem
 6,807,762 B1 10/2004 Edwards
 6,877,434 B1 4/2005 McNulty, Jr.
 6,880,466 B2 4/2005 Carman
 D504,712 S 5/2005 Powell
 6,898,887 B1 5/2005 Stratbucker
 D508,727 S 8/2005 Peters
 6,922,931 B2 8/2005 Bauer et al.
 7,000,807 B2 2/2006 Cellini et al.
 7,004,597 B2 2/2006 Kukuk
 D517,154 S 3/2006 Otto
 7,029,397 B1 4/2006 Barwick
 D520,593 S 5/2006 Anderson
 D520,733 S 5/2006 Siteman
 7,044,858 B1 5/2006 Otto et al.
 D532,859 S 11/2006 Stethem
 7,158,362 B2 1/2007 Smith
 7,211,001 B2 5/2007 Motyka et al.
 D600,780 S * 9/2009 Shishido D23/233
 D618,757 S * 6/2010 Stethem D22/117
 D618,759 S 6/2010 Rouwhorst et al.
 D703,020 S * 4/2014 Zhu D8/68
 D725,098 S * 3/2015 Neumann D10/78
 D732,143 S * 6/2015 Roden D23/233
 D753,268 S * 4/2016 Nishimura D23/233
 D757,900 S * 5/2016 Yakushijin D23/233
 2002/0119825 A1 * 8/2002 Evenson F41B 15/02
 463/47.2
 2002/0170418 A1 11/2002 McNulty Jr. et al.
 2004/0065310 A1 4/2004 Masse
 2005/0039628 A1 2/2005 Carman
 2005/0043101 A1 2/2005 Knapp
 2005/0073798 A1 4/2005 Stethem
 2007/0045346 A1 3/2007 Siteman
 2007/0079538 A1 4/2007 Smith et al.
 2007/0167241 A1 7/2007 Stethem et al.
 2007/0238532 A1 10/2007 Stethem
 2008/0020850 A1 * 1/2008 Stethem F41B 15/02
 463/47.2
 2008/0130193 A1 6/2008 Nerheim
 2014/0256453 A1 * 9/2014 Pelkey F41B 15/02
 463/47.7
 2016/0069650 A1 * 3/2016 Flynn F41H 9/10
 463/47.4

OTHER PUBLICATIONS

Monadnock 36 Thermoplastic Grenade Grip Straight Baton, website: <http://www.copsplus.com/prodnum5507.php>, (5 pgs.), accessed Oct. 23, 2006.
 Monadnock 24 Monpac Baton Night Stick, website: <http://www.copsplus.com/prodnum1607.php>, (5 pgs.), accessed Oct. 23, 2006.
 Casco CP-24 24 Straight Polycarbonate Baton, website: <http://www.copsplus.com/prodnum2566.php>, (5 pgs.), accessed Oct. 23, 2006.
 Casco 18 to 26 "Straight Acetate Batons," website: <http://www.copsplus.com/prodnum2571.php>, (5 pgs.), accessed Oct. 23, 2006.

(56)

References Cited

OTHER PUBLICATIONS

Monadnock Lifetime Products, Inc., "PR-24 Control Baton® Benefits," website: <http://www.batons.com/pr/ben.htm>, (2 pgs.), accessed Oct. 23, 2006.

Monadnock Lifetime Products, Inc., "PR-24 Control Baton® Functions," website: <http://www.batons.com/pr/fun.htm>, (1 pg.), accessed Oct. 23, 2006.

Monadnock Lifetime Products, Inc., "PR-24 Control Baton® Specifications," website: <http://www.batons.com/pr/spec.htm>, (2 pgs.), accessed Oct. 23, 2006.

Monadnock Lifetime Products, Inc., "PR-24 Control Baton®," website: <http://www.batons.com/pr/index.htm>, (2 pgs.), accessed Oct. 23, 2006.

Monadnock Model PR-24STS 24 Polycarbonate Control Baton, website: <http://www.copsplus.com/produm1593.php>, (5 pgs.), accessed Oct. 23, 2006.

* cited by examiner

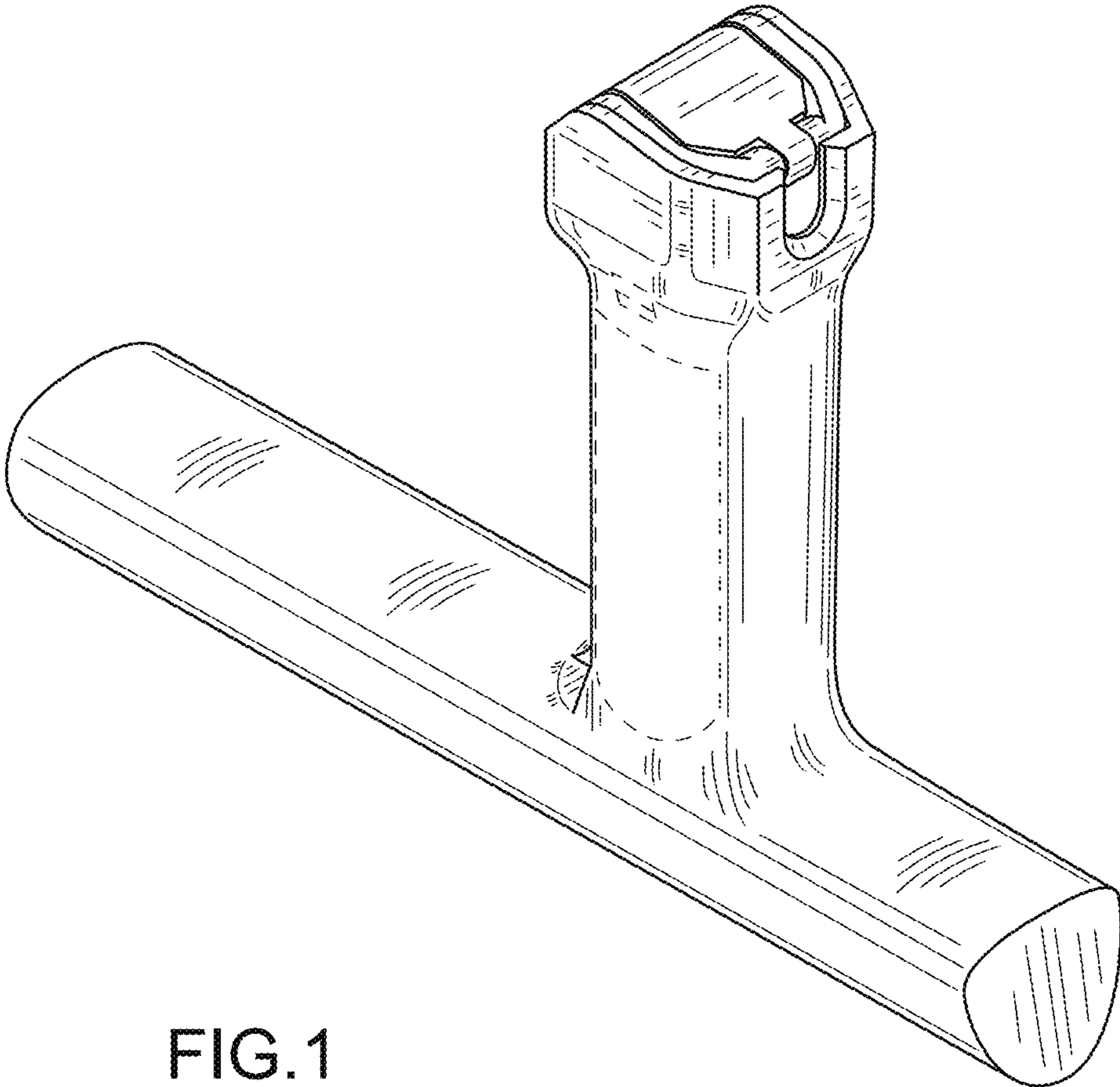


FIG.1

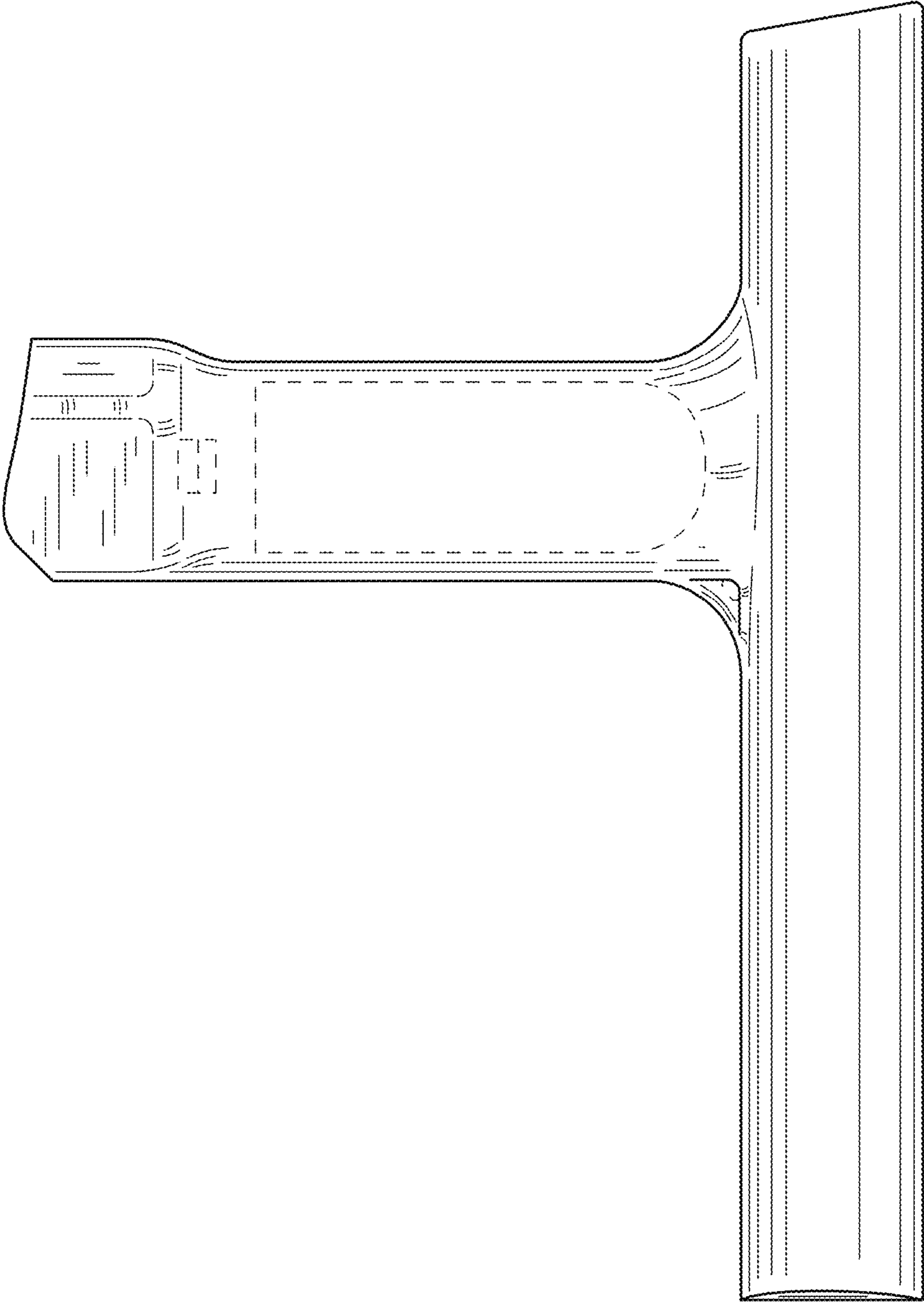


FIG.2

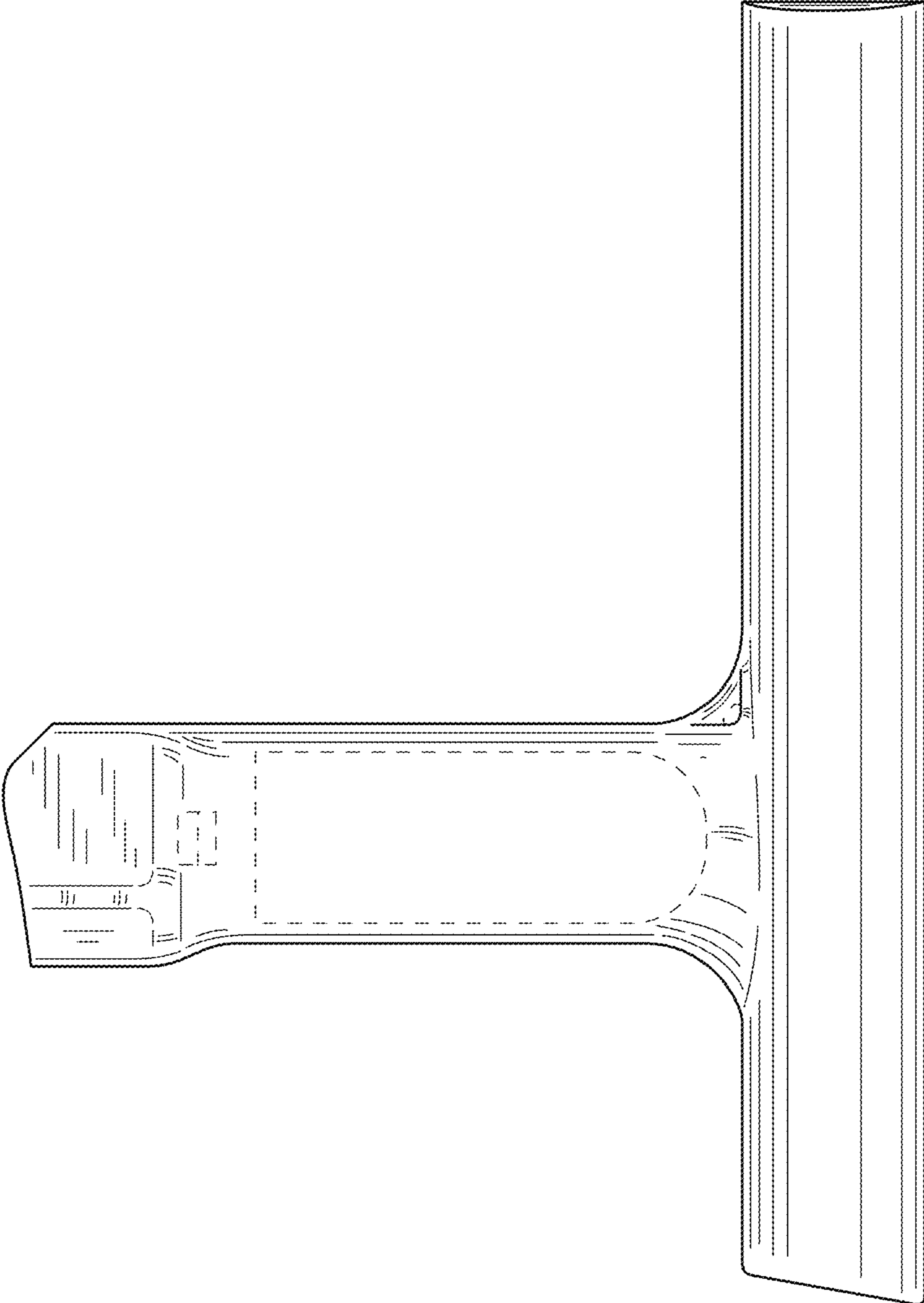


FIG.3

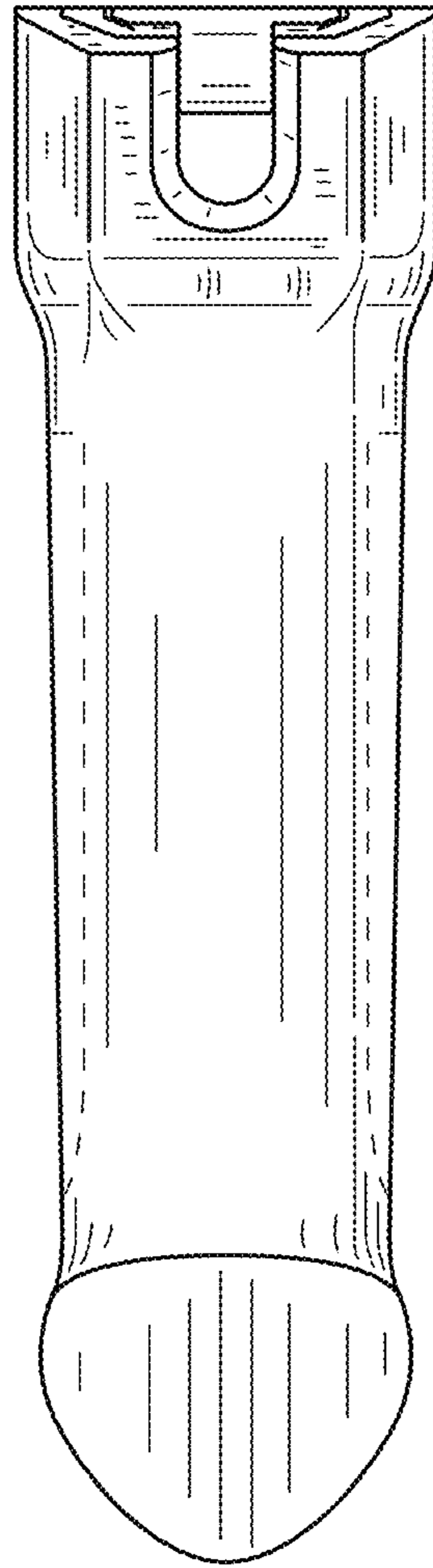


FIG.4

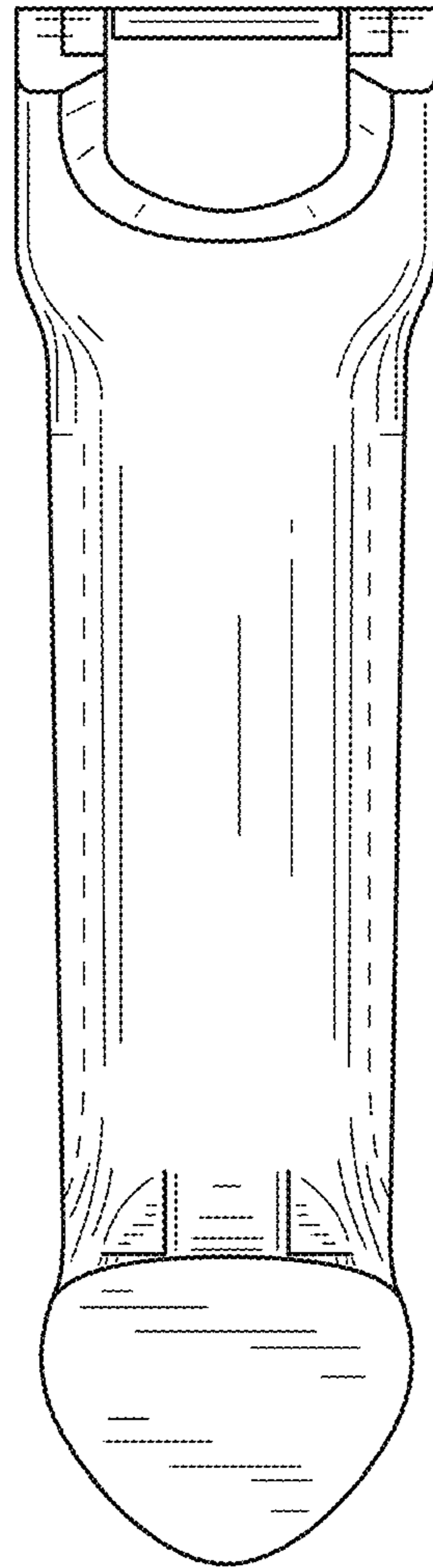


FIG.5

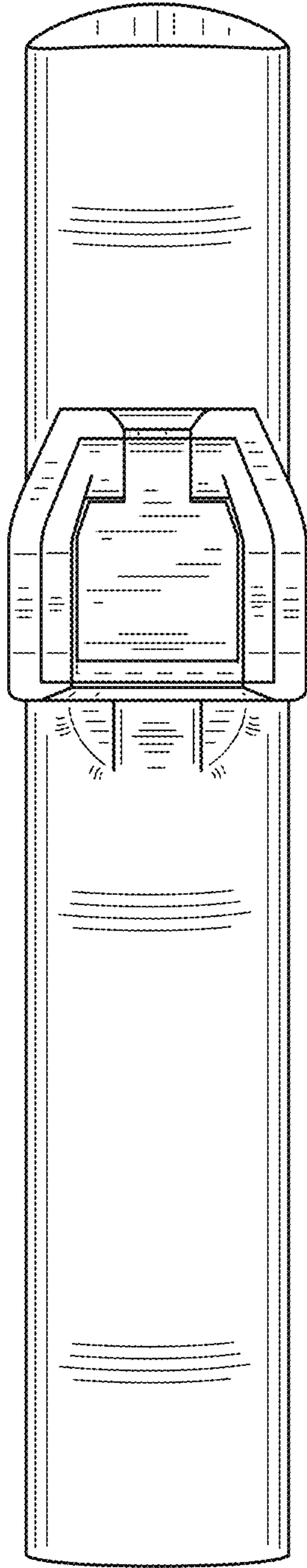


FIG. 6

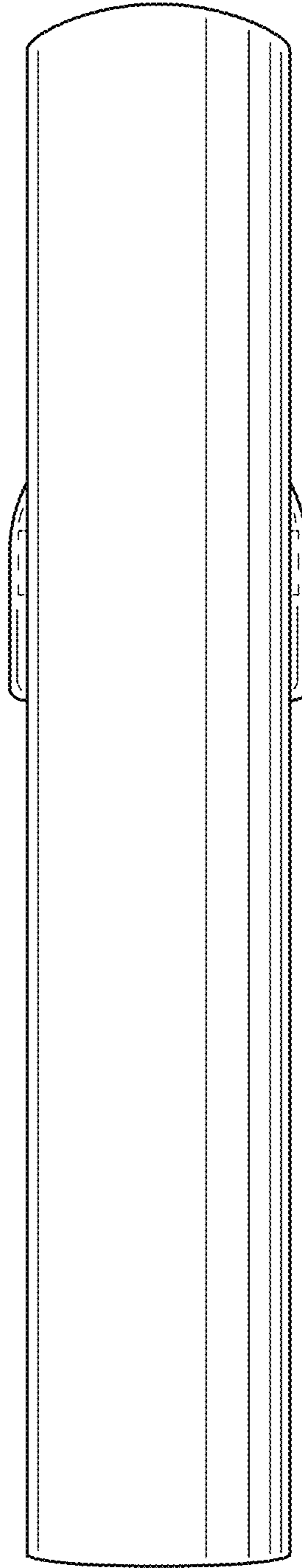


FIG. 7