



US00D778390S

(12) **United States Design Patent** (10) **Patent No.:** **US D778,390 S**
Zhang et al. (45) **Date of Patent:** **** Feb. 7, 2017**

(54) **ELECTRONIC SIGHT**
(71) Applicant: **Huntercraft Limited**, Albany, NY (US)
(72) Inventors: **Lin Zhang**, Albany, NY (US);
Chunhua Shi, Albany, NY (US); **Sang Su**, Albany, NY (US)
(73) Assignee: **HUNTERCRAFT LIMITED**, Albany, NY (US)
(**) Term: **15 Years**
(21) Appl. No.: **29/543,438**
(22) Filed: **Oct. 23, 2015**
(51) **LOC (10) Cl.** **22-01**
(52) **U.S. Cl.**
USPC **D22/109**
(58) **Field of Classification Search**
USPC D22/108-111; D16/132, 134, 330; 42/85,
42/111, 113-114, 117-119, 122-123, 129,
42/130-133, 135-136, 140-146; D26/49
CPC F41G 1/00; F41G 1/01; F41G 1/1632;
F41G 1/34; F41G 1/36; F41G 1/38; F41G
1/40; F41G 1/42; F41G 1/52; F41G 1/345;
F41G 11/003
See application file for complete search history.

(56) **References Cited**
U.S. PATENT DOCUMENTS
D378,936 S * 4/1997 DePaoli D22/109
6,807,742 B2 * 10/2004 Schick F41G 1/30
33/297
D616,956 S * 6/2010 Hamilton D22/108
D704,296 S * 5/2014 Cheng D22/109
D711,490 S * 8/2014 Hahin D22/108
D728,062 S * 4/2015 Hamilton D22/109
D747,430 S * 1/2016 Theisinger D22/109
D747,431 S * 1/2016 Cheng D22/109
D750,685 S * 3/2016 Santos D16/208
D752,701 S * 3/2016 Bengtsson D22/109

D757,886 S * 5/2016 Cheng D22/109
9,410,769 B1 * 8/2016 Zhang F41G 3/06
2013/0055618 A1 * 3/2013 Watkins F41G 1/38
42/123

OTHER PUBLICATIONS

Introducing Remington 2020 Rifle & Digital Optic System for Greater Accuracy Long Range Shooting, posted at Ammoland, posting date Oct. 18, 2013. [online], [site visited Oct. 13, 2016]. Available from Internet, <URL: <http://www.ammoland.com/2013/10/remington-2020-rifle-digital-optic-system/#axzz4MzEr-MGtG>>.*

Barska 1x30mm IR M-16 Tactical Red Dot Electro Sight Riflescope, posted at Gander Mountain, comment posting date 2010. [online], [site visited Oct. 13, 2016]. Available from Internet, <URL: <http://www.gandermountain.com/modperl/product/details.cgi?i=415321>>.*

* cited by examiner

Primary Examiner — Kevin Rudzinski
Assistant Examiner — Kathleen Jones
(74) *Attorney, Agent, or Firm* — Novick, Kim & Lee, PLLC; Allen Xue

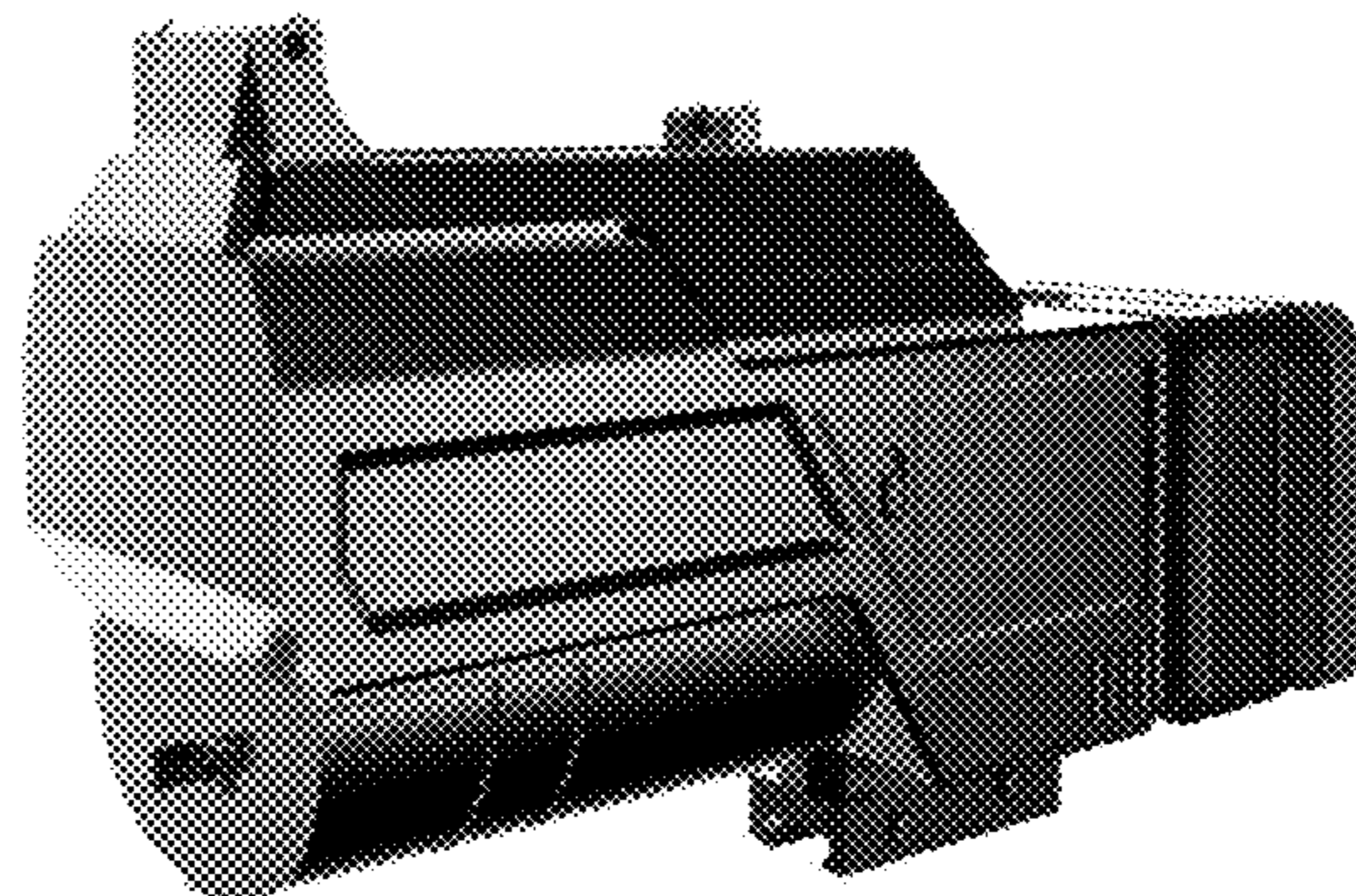
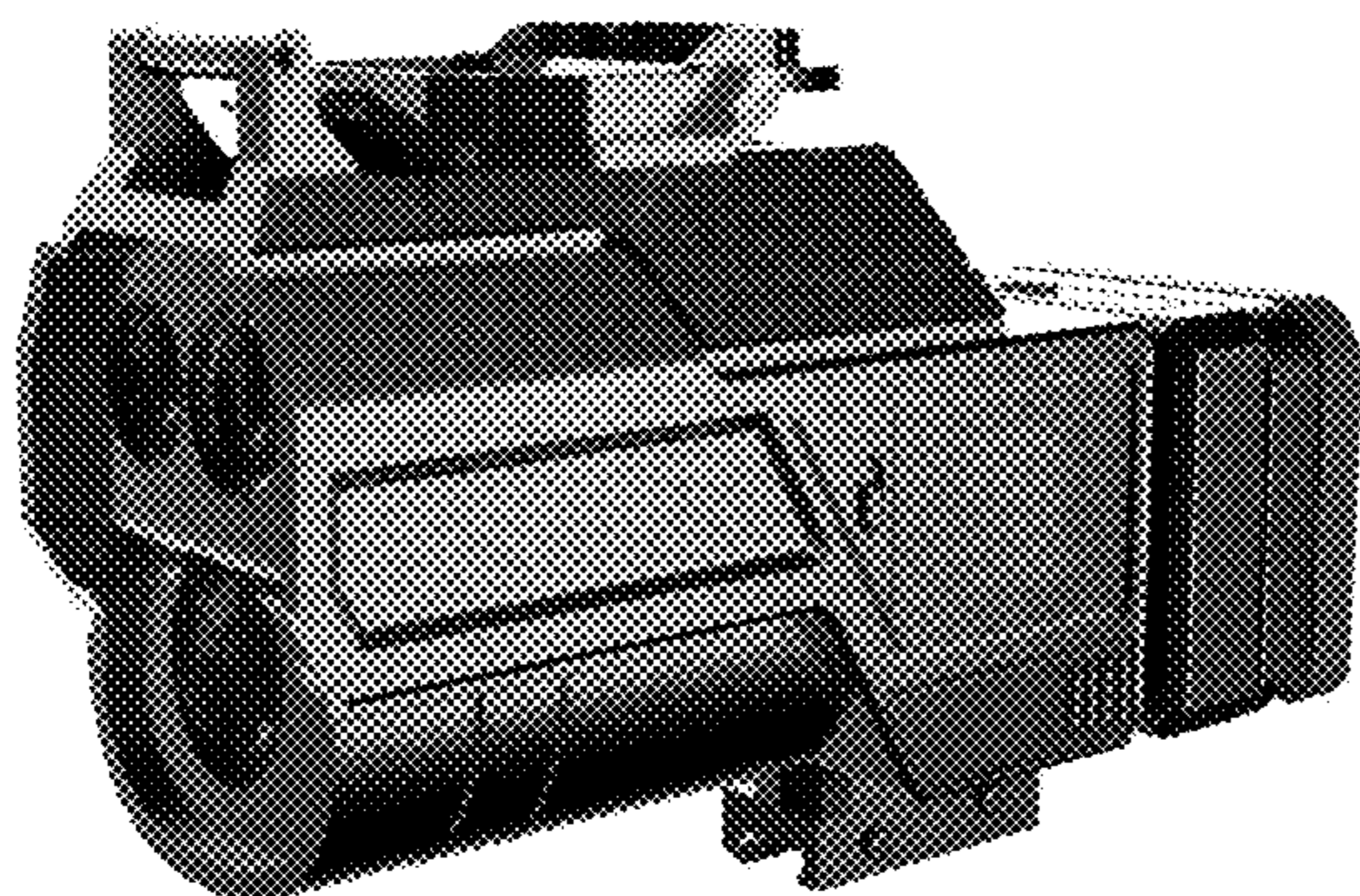
(57) **CLAIM**

We claim the ornamental design for an electronic sight, substantially as shown and described.

DESCRIPTION

FIG. 1 is a front, right, top perspective view of an electronic sight wherein a cover on a lens is in an open position; FIG. 2 is a front view thereof; FIG. 3 is a rear view thereof; FIG. 4 is a left view thereof; FIG. 5 is a right view thereof; FIG. 6 is a top view thereof; FIG. 7 is a bottom view thereof; and, FIG. 8 is a front, right, top perspective view thereof, wherein the cover on the lens is in a closed position.

1 Claim, 7 Drawing Sheets



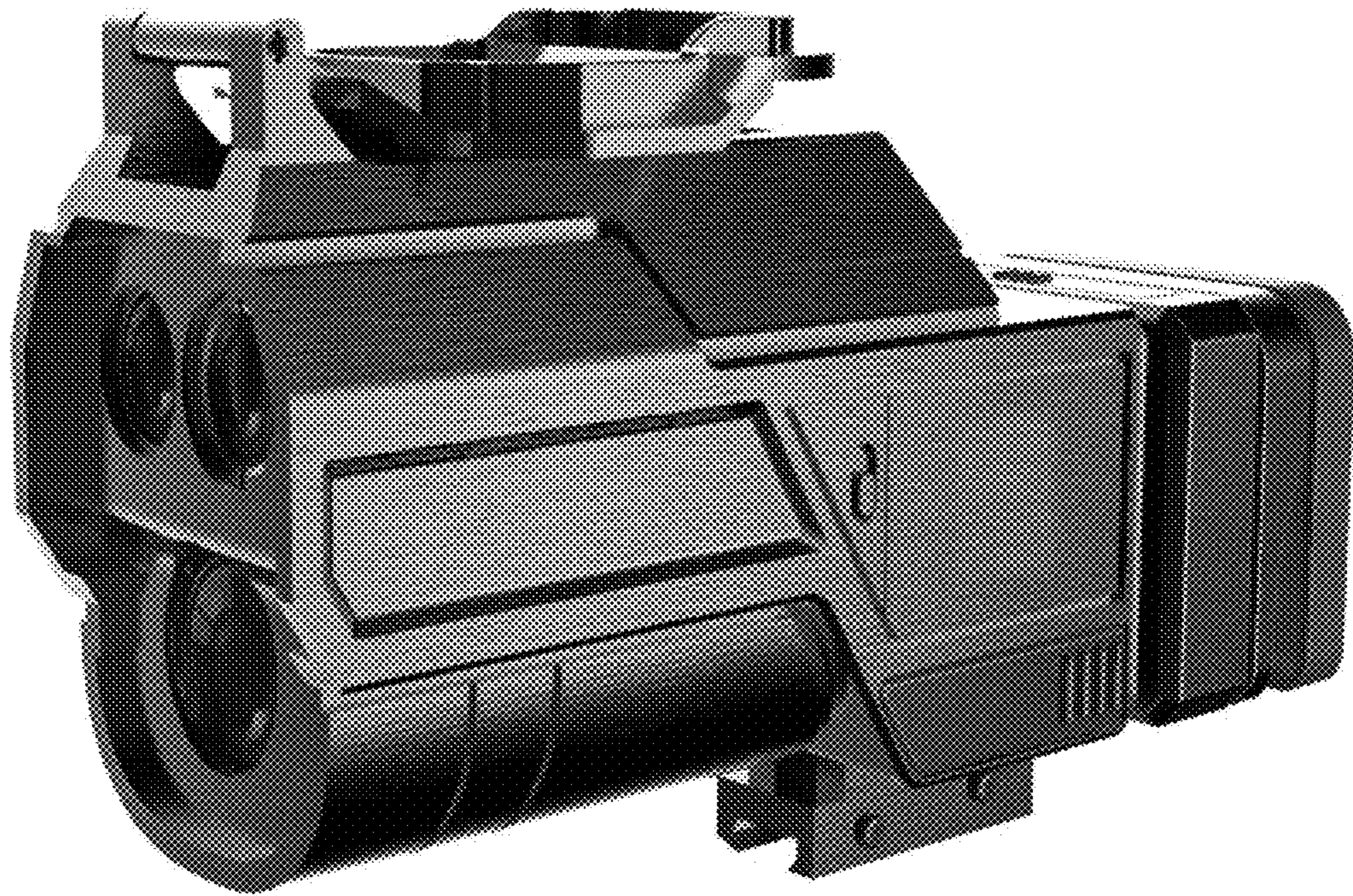


FIG. 1

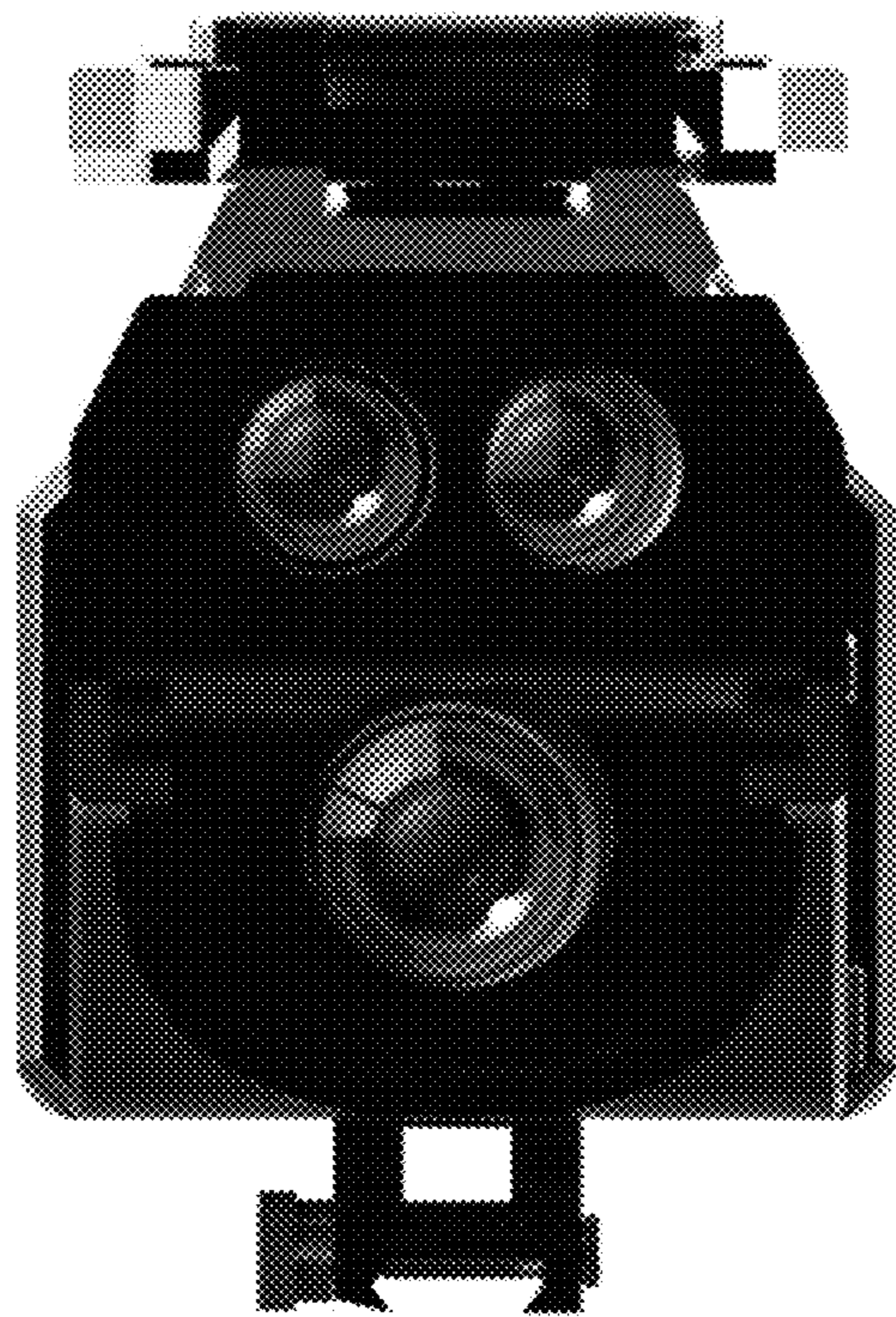


FIG. 2



FIG. 3

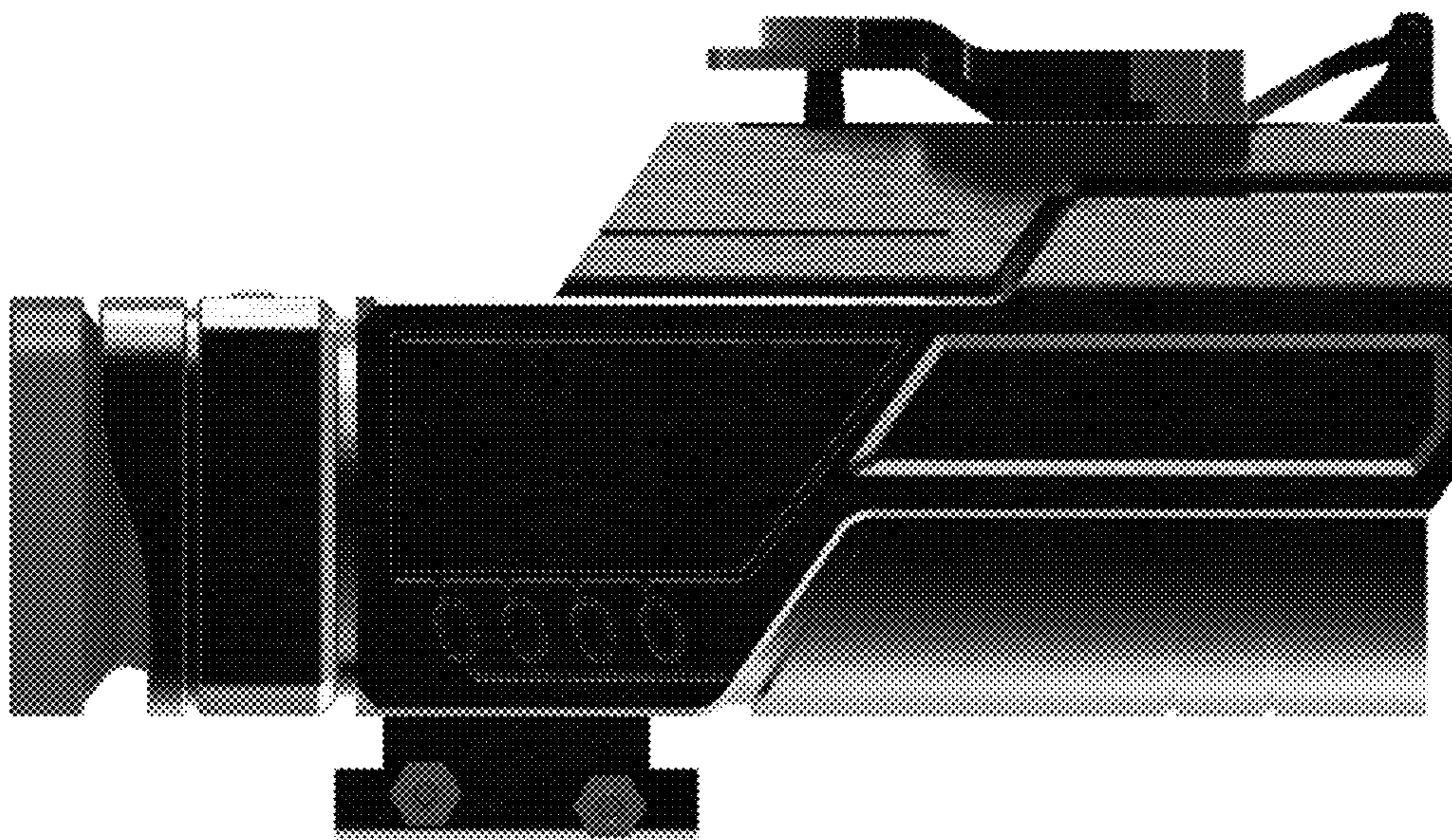


FIG. 4

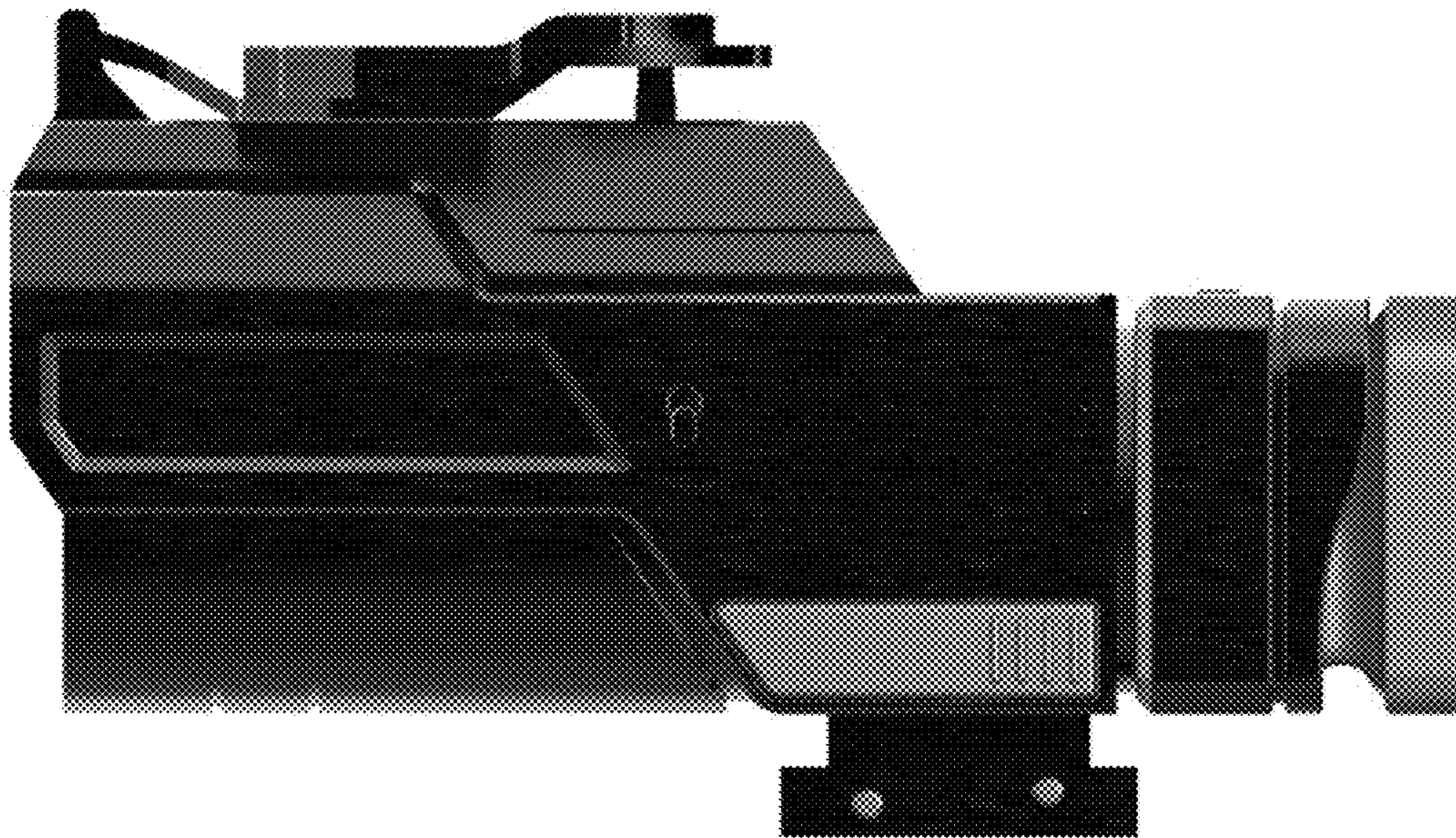


FIG. 5

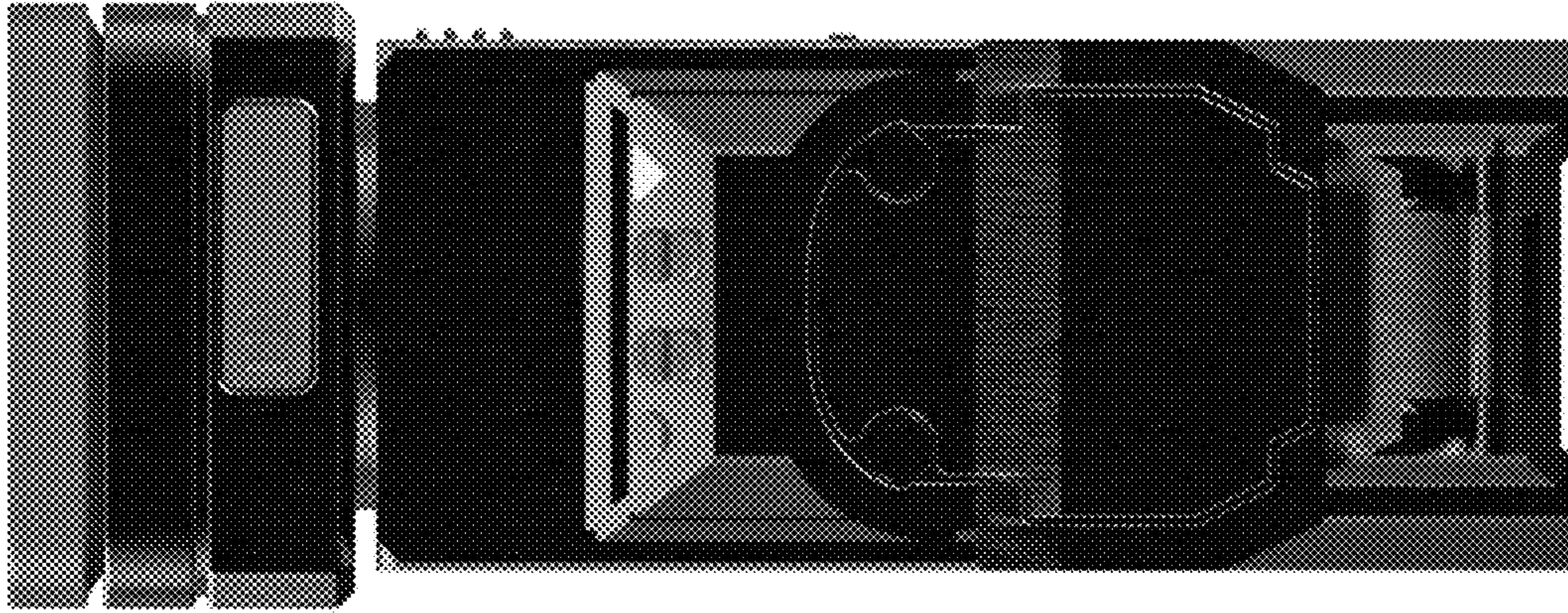


FIG. 6

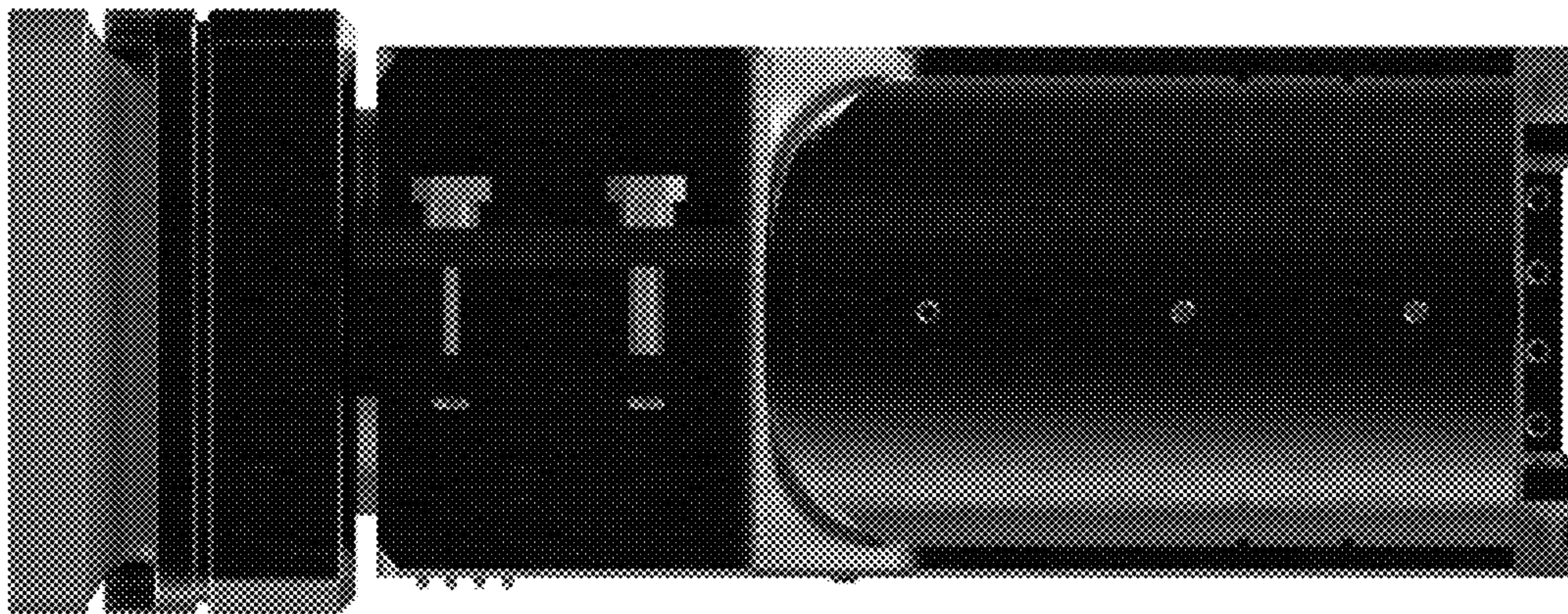


FIG. 7

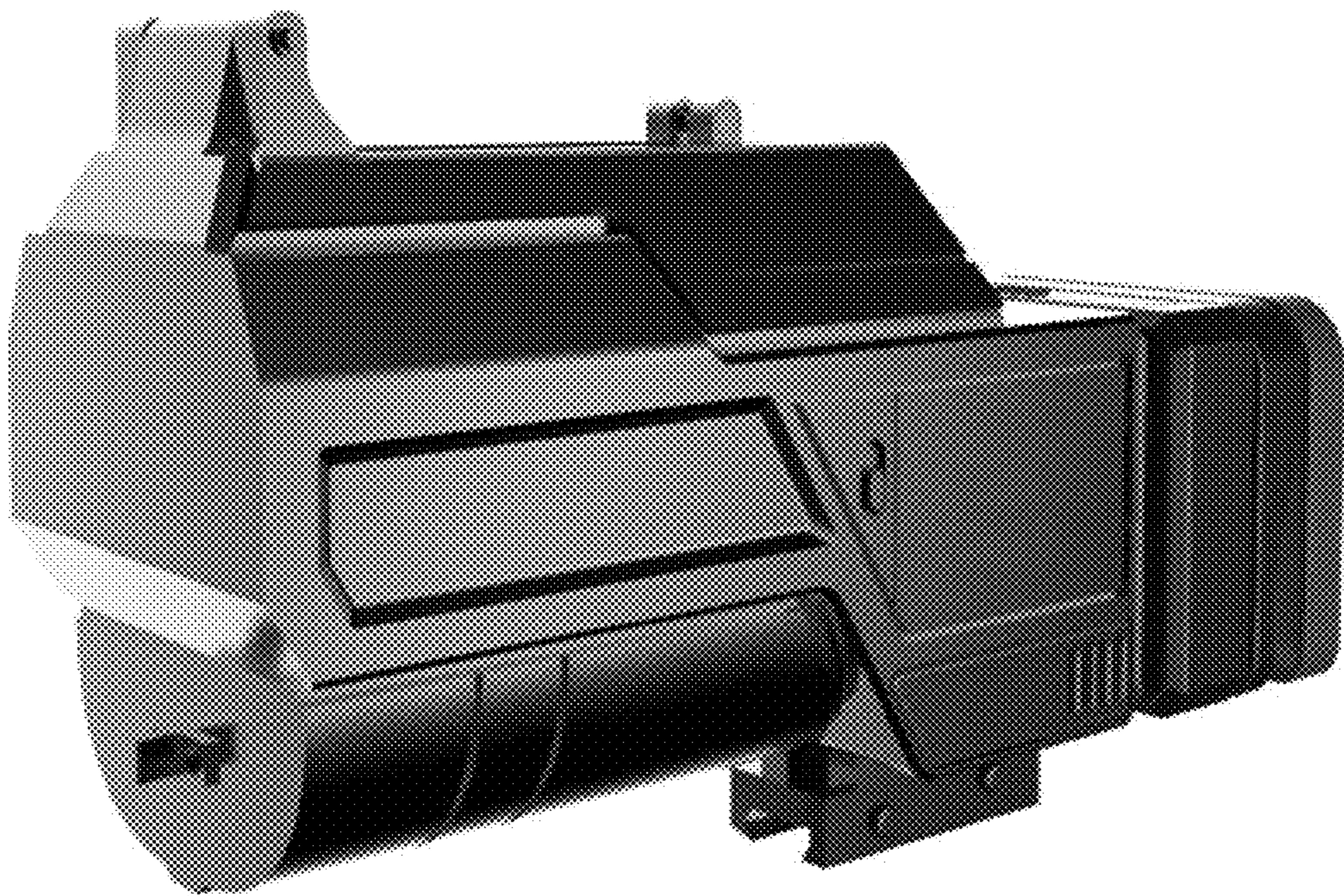


FIG. 8