



US00D778387S

(12) **United States Design Patent** (10) **Patent No.:** **US D778,387 S**  
**Farthing et al.** (45) **Date of Patent:** **\*\* Feb. 7, 2017**

(54) **FIREARM SUPPRESSOR COVER**  
(71) Applicant: **Jamak Fabrication-Tex LLC**,  
Weatherford, TX (US)  
(72) Inventors: **Curtiss Wayne Farthing**, Mineral  
Wells, TX (US); **Jason Clay Turner**,  
Weatherford, TX (US)  
(73) Assignee: **JAMAK FABRICATION-TEX, LLC**,  
Weatherford, TX (US)  
(\*\*) Term: **15 Years**  
(21) Appl. No.: **29/534,882**  
(22) Filed: **Jul. 31, 2015**  
(51) **LOC (10) Cl.** ..... **22-01**  
(52) **U.S. Cl.**  
USPC ..... **D22/108**  
(58) **Field of Classification Search**  
USPC ..... D22/100, 101, 103, 104, 108, 199;  
D21/572, 573; 42/51, 71.01, 75.01, 75.02,  
42/90, 94, 134, 136, 139, 125, 72, 111;  
362/110; 33/241, 277; D25/119-125;  
89/40.06, 41.19, 37.04, 33.04, 191.01,  
89/200-204; 124/67, 66, 72, 74  
CPC ..... F41A 13/00; F41A 35/04  
See application file for complete search history.

5,778,590 A 7/1998 Browning et al.  
5,850,706 A 12/1998 Evans  
D415,574 S \* 10/1999 Shrira ..... D25/122  
D427,669 S 7/2000 Ruuska  
D441,877 S \* 5/2001 Fortier ..... D25/122  
D471,036 S \* 3/2003 Tseng ..... D6/712  
D473,663 S \* 4/2003 Chou ..... D25/122  
D475,798 S 6/2003 Galli  
(Continued)

**FOREIGN PATENT DOCUMENTS**

GB 1042378 7/2015  
GB 5001326 \* 1/2016

**OTHER PUBLICATIONS**

[www.thefirearmblog.com/blog/2013/12/26/manta-m700-sound-suppressor-covers/](http://www.thefirearmblog.com/blog/2013/12/26/manta-m700-sound-suppressor-covers/).  
[www.thefirearmblog.com/blog/2014/04/14/gear-review-bowers-group-griptastic-suppressor-covers/](http://www.thefirearmblog.com/blog/2014/04/14/gear-review-bowers-group-griptastic-suppressor-covers/).

*Primary Examiner* — Susan Bennett Hattan  
*Assistant Examiner* — S. Bryan Reinholdt, Jr.  
(74) *Attorney, Agent, or Firm* — McGuireWoods LLP

(57) **CLAIM**

We claim the ornamental design for a firearm suppressor cover, as shown and described.

**DESCRIPTION**

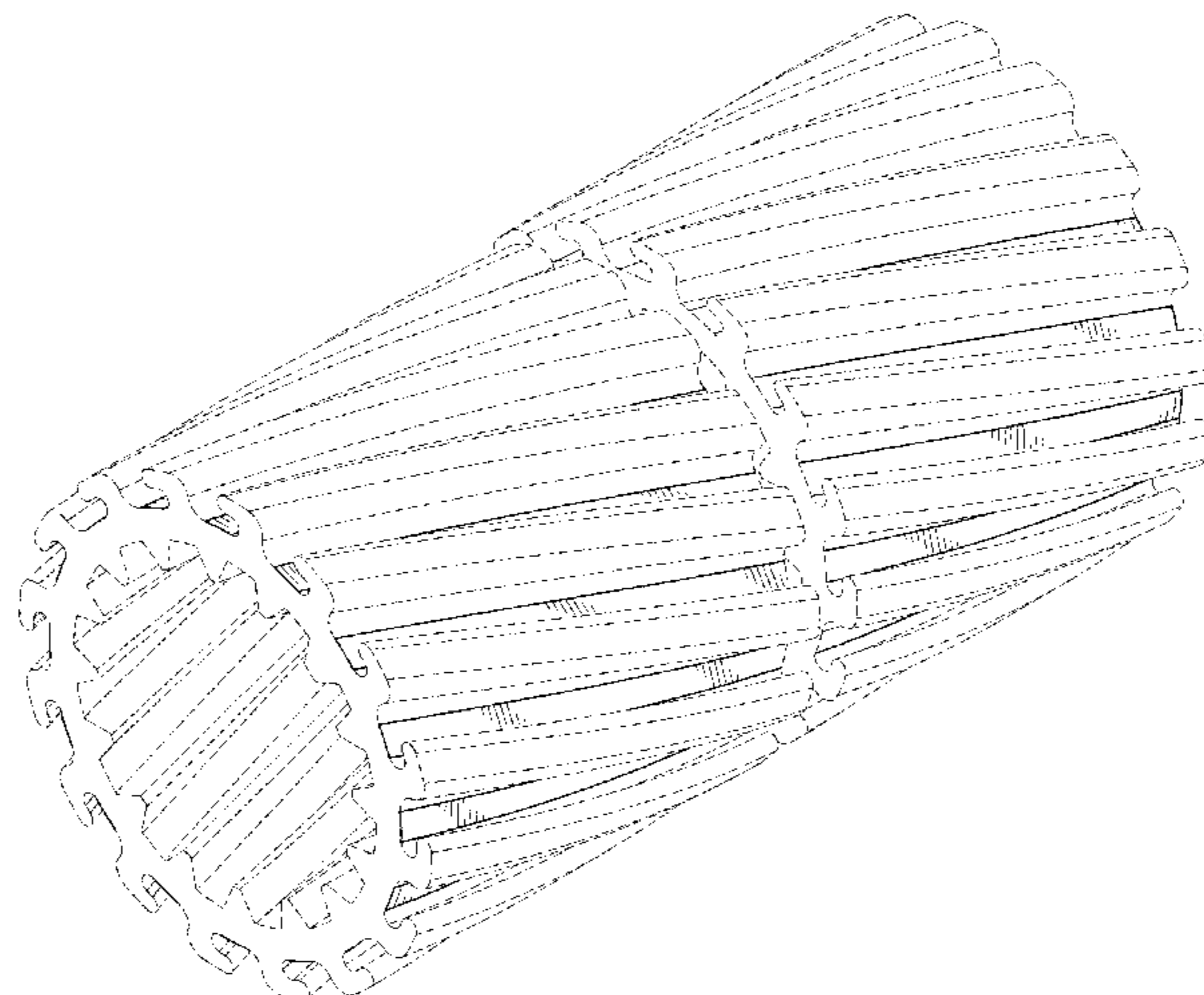
FIG. 1 is a perspective view of a firearm suppressor cover; FIG. 2 is a front view of the firearm suppressor cover of FIG. 1; FIG. 3 is a right side view of the firearm suppressor cover of FIG. 1; FIG. 4 is a left side view of the firearm suppressor cover of FIG. 1; and, FIG. 5 is a perspective view showing a firearm suppressor mounted within the firearm suppressor cover of FIG. 1. The subject matter illustrated in dashed lines and the area in between the break lines form no part of the claimed design.

**1 Claim, 5 Drawing Sheets**

(56) **References Cited**

**U.S. PATENT DOCUMENTS**

1,674,986 A \* 6/1928 Norwood ..... B21K 1/705  
411/280  
2,965,994 A 12/1960 Sullivan  
4,346,643 A 8/1982 Taylor et al.  
D279,812 S 7/1985 Cellini  
4,762,048 A 8/1988 Higashi et al.  
5,183,953 A 2/1993 Anderson et al.  
D344,351 S 2/1994 Stagl  
D370,273 S 5/1996 Stagl  
D375,159 S \* 10/1996 Johansson ..... D23/266  
D380,886 S \* 7/1997 Hauser ..... D1/125  
5,661,920 A 9/1997 Evans



(56)

**References Cited**

U.S. PATENT DOCUMENTS

D476,103	S	6/2003	Galli	
D501,054	S	1/2005	Galli	
D549,860	S	8/2007	Gustafson et al.	
D551,880	S *	10/2007	Chen .....	D25/122
D577,449	S	9/2008	Shiu	
D577,844	S	9/2008	Shiu	
D579,595	S	10/2008	Shiu	
D593,631	S	6/2009	Salva	
D632,751	S	2/2011	Bowers et al.	
8,347,773	B2	1/2013	Schlenkert et al.	
8,397,615	B2	3/2013	Poling	
D682,974	S	5/2013	Honigmann	
D682,975	S	5/2013	Honigmann	
8,973,481	B2	3/2015	Dueck et al.	
9,140,511	B2	9/2015	Michal et al.	
D767,072	S *	9/2016	Dulisse .....	D22/108
D767,073	S *	9/2016	Dulisse .....	D22/108
2007/0062090	A1	3/2007	Brindle	
2012/0125184	A1	5/2012	Meyers	
2012/0273083	A1	11/2012	Lin	
2013/0061503	A1	3/2013	W. et al.	
2014/0059913	A1	3/2014	Diamond et al.	

\* cited by examiner

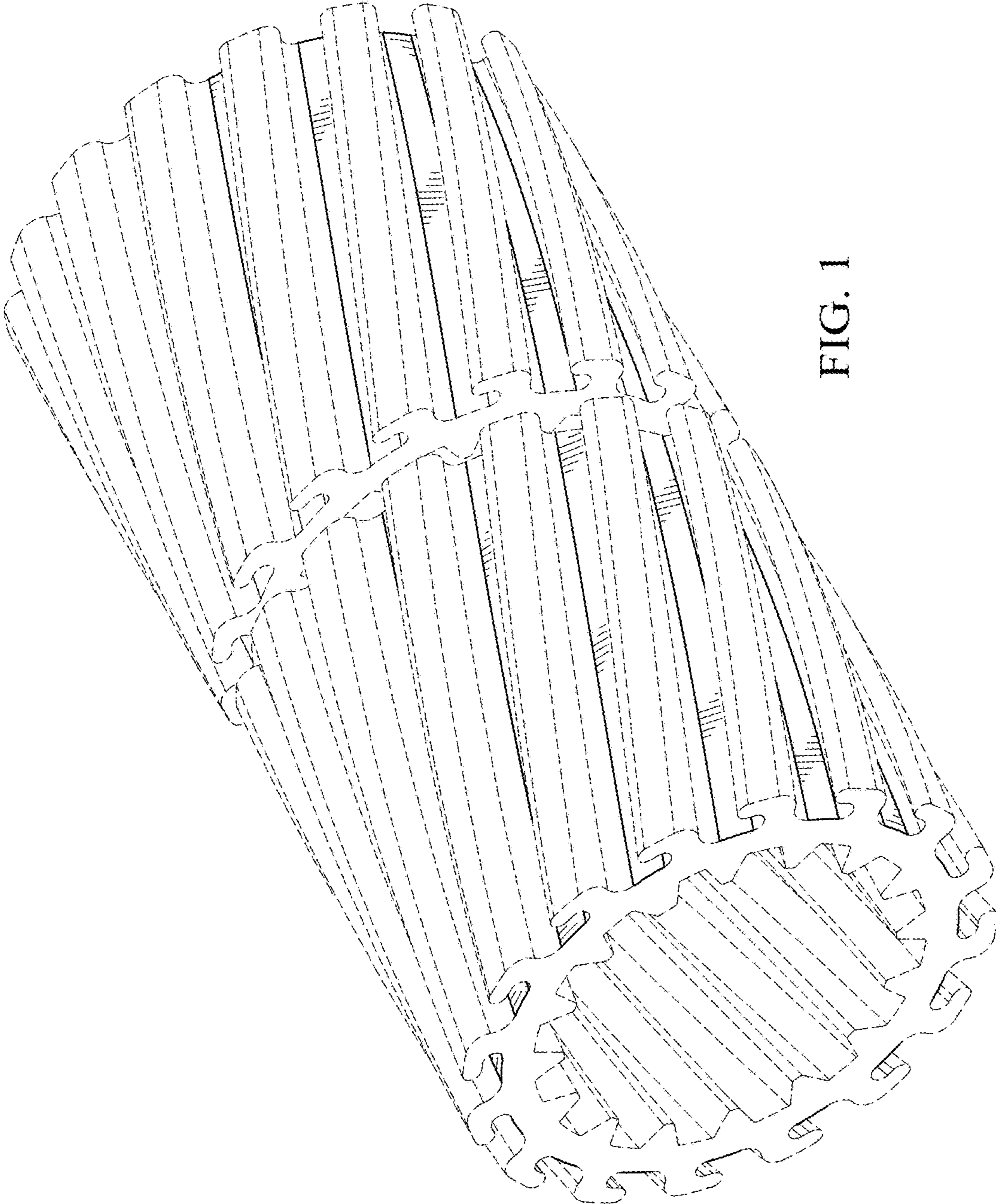


FIG. 1

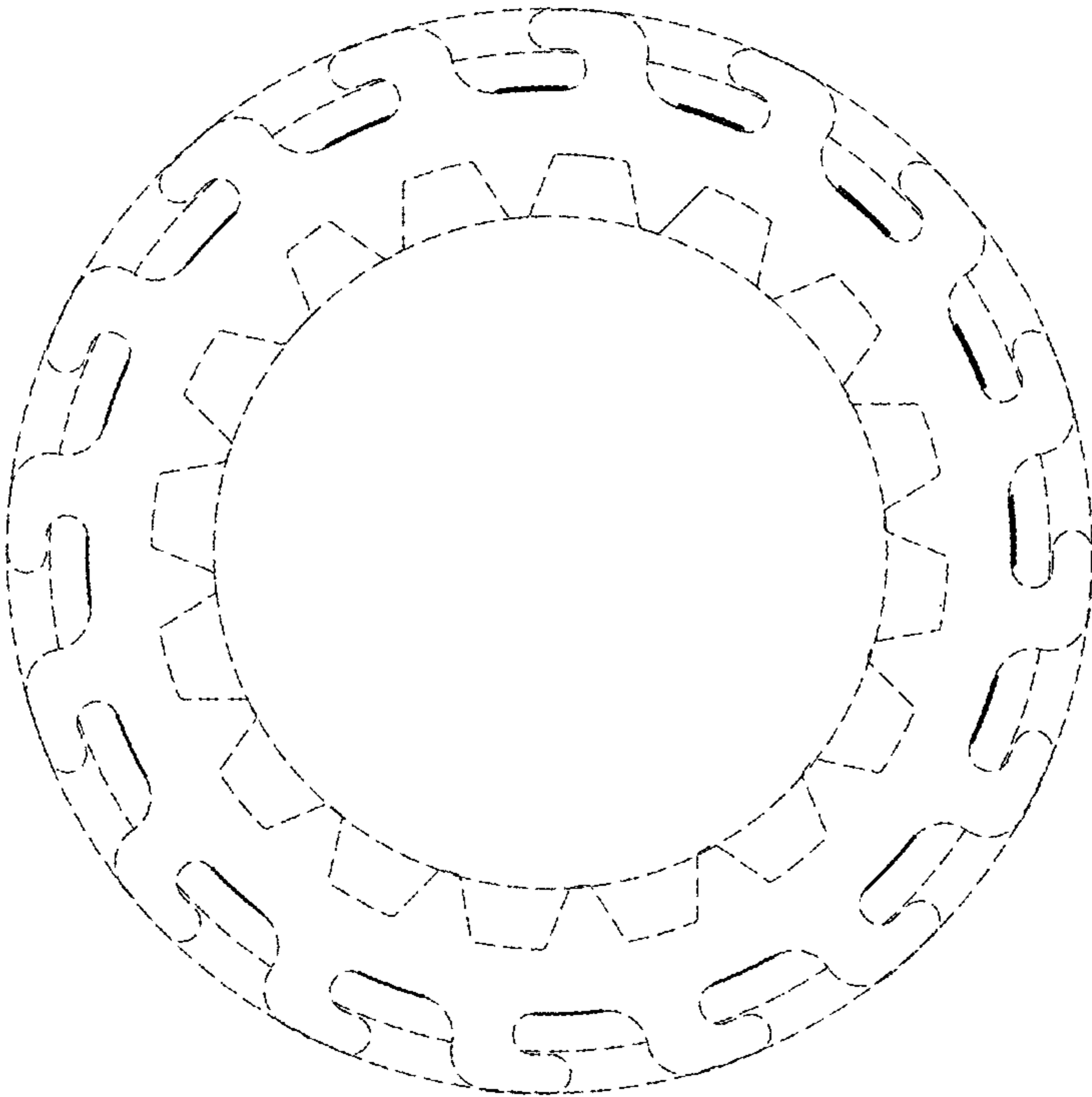


FIG. 2

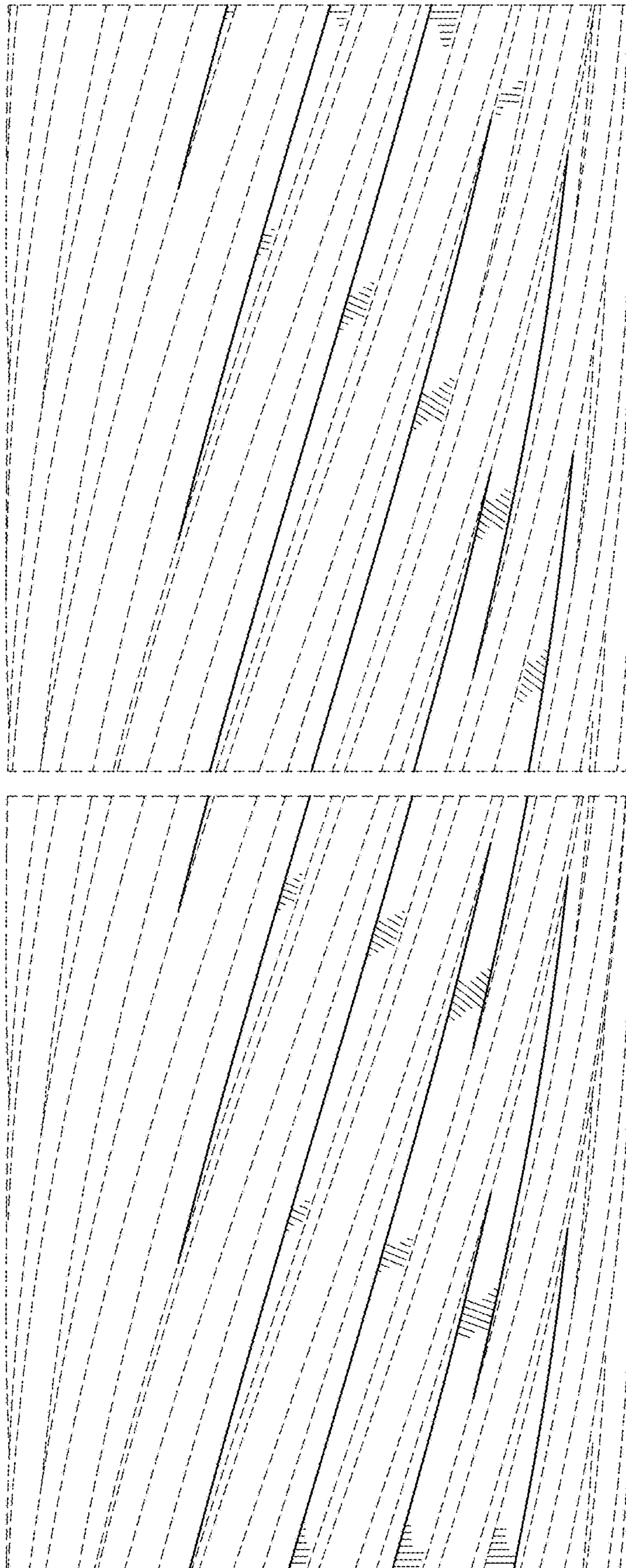


FIG. 3

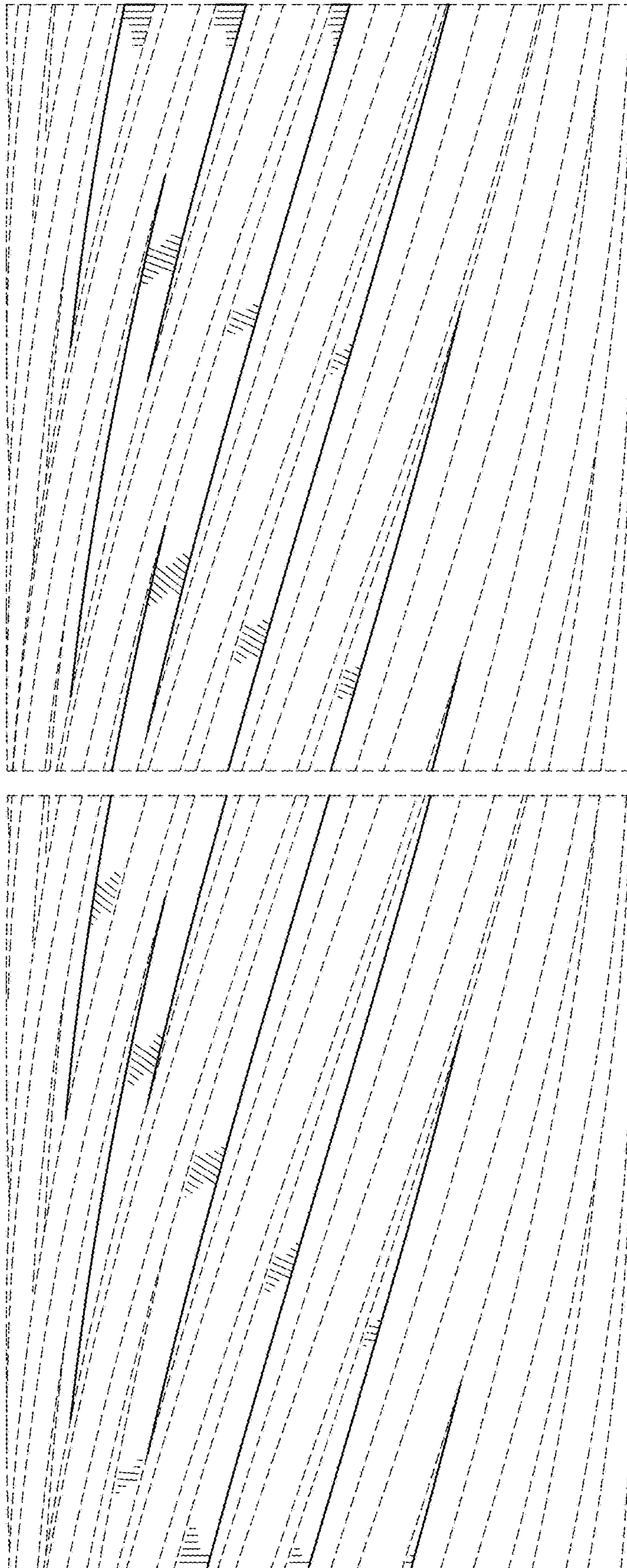


FIG. 4

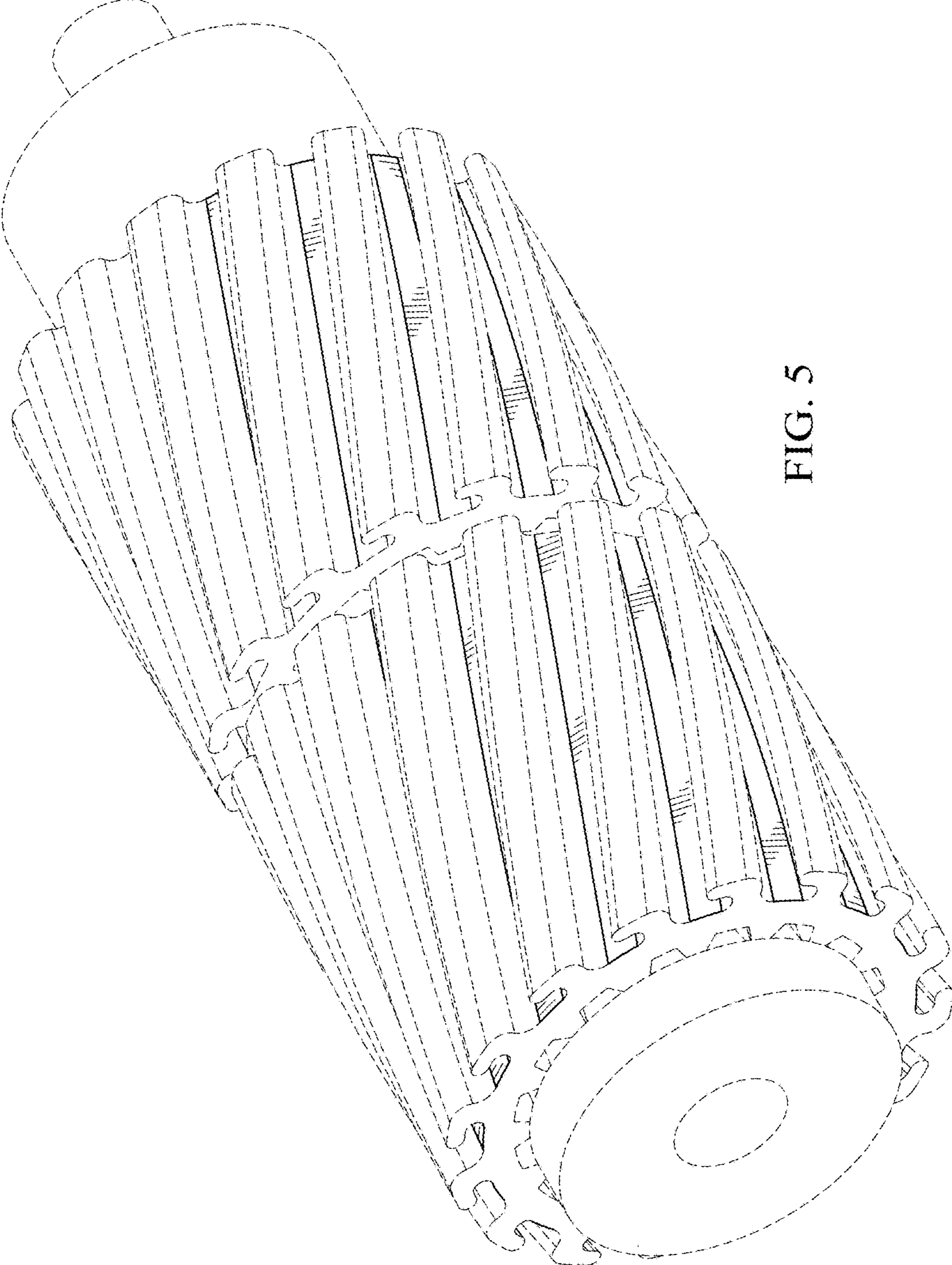


FIG. 5