



US00D778386S

(12) **United States Design Patent** (10) **Patent No.:** **US D778,386 S**  
**Farthing et al.** (45) **Date of Patent:** **\*\* Feb. 7, 2017**

(54) **FIREARM SUPPRESSOR COVER**  
(71) Applicant: **Jamak Fabrication-Tex LLC**,  
Weatherford, TX (US)  
(72) Inventors: **Curtiss Wayne Farthing**, Mineral  
Wells, TX (US); **Jason Clay Turner**,  
Weatherford, TX (US)  
(73) Assignee: **JAMAK FABRICATION-TEX, LLC**,  
Weatherford, TX (US)  
(\*\*) Term: **15 Years**  
(21) Appl. No.: **29/534,876**  
(22) Filed: **Jul. 31, 2015**  
(51) **LOC (10) Cl.** ..... **22-01**  
(52) **U.S. Cl.**  
USPC ..... **D22/108**  
(58) **Field of Classification Search**  
USPC ..... D21/572, 573; D22/100, 101, 103, 104,  
D22/108, 199; D25/119-125; 33/241,  
33/277; 42/51, 71.01, 75.01, 75.02, 90,  
42/94, 134, 136, 139, 125, 72, 111;  
89/40.06, 41.19, 37.04, 33.04, 191.01,  
89/200-204; 124/67, 66, 124/72, 74;  
362/110  
CPC ..... F41A 13/00; F41A 35/04  
See application file for complete search history.

(56) **References Cited**

**U.S. PATENT DOCUMENTS**

1,674,986 A \* 6/1928 Norwood ..... B21K 1/705  
411/280  
2,965,994 A 12/1960 Sullivan  
4,346,643 A 8/1982 Taylor et al.  
D279,812 S 7/1985 Cellini  
4,762,048 A 8/1988 Higashi et al.  
5,183,953 A 2/1993 Anderson et al.  
D344,351 S 2/1994 Stagl  
D370,273 S 5/1996 Stagl  
D375,159 S \* 10/1996 Johansson ..... D23/266  
D380,886 S \* 7/1997 Hauser ..... D1/125  
5,661,920 A 9/1997 Evans

5,778,590 A 7/1998 Browning et al.  
5,850,706 A 12/1998 Evans  
D415,574 S \* 10/1999 Shrira ..... D25/122  
D427,669 S 7/2000 Ruuska  
D441,877 S \* 5/2001 Fortier ..... D25/122  
D471,036 S \* 3/2003 Tseng ..... D6/712

(Continued)

**FOREIGN PATENT DOCUMENTS**

GB 4042378 \* 7/2015  
GB 5001326 1/2016

**OTHER PUBLICATIONS**

[www.thefirearmblog.com/blog/2013/12/26/manta-m700-sound-suppressor-covers/](http://www.thefirearmblog.com/blog/2013/12/26/manta-m700-sound-suppressor-covers/).  
[www.thefirearmblog.com/blog/2014/04/14/gear-review-bowers-group-griptastic-suppressor-covers/](http://www.thefirearmblog.com/blog/2014/04/14/gear-review-bowers-group-griptastic-suppressor-covers/).

*Primary Examiner* — Susan Bennett Hattan  
*Assistant Examiner* — S. Bryan Reinholdt, Jr.  
(74) *Attorney, Agent, or Firm* — McGuireWoods LLP

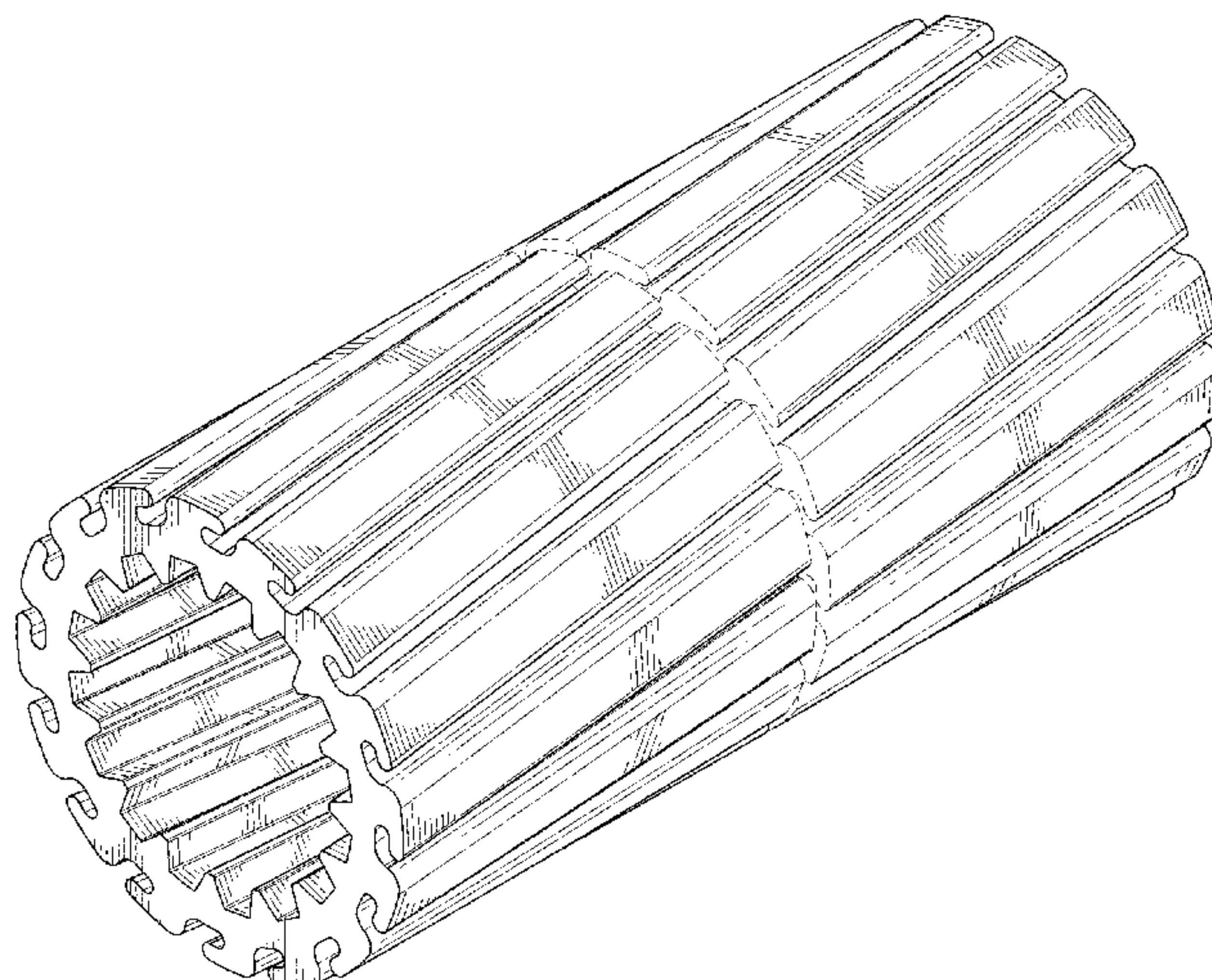
(57) **CLAIM**

We claim the ornamental design for a firearm suppressor cover, as shown and described.

**DESCRIPTION**

FIG. 1 is a perspective view of a firearm suppressor cover; FIG. 2 is a front view of the firearm suppressor cover of FIG. 1; FIG. 3 is a right side view of the firearm suppressor cover of FIG. 1; FIG. 4 is a left side view of the firearm suppressor cover of FIG. 1; FIG. 5 is a perspective view showing a firearm suppressor mounted within the firearm suppressor cover of FIG. 1; and, FIG. 6 is a cross-sectional side view of the firearm suppressor cover of FIG. 1 taken at 6-6. The subject matter illustrated in dashed lines and the area in between the break lines form no part of the claimed design.

**1 Claim, 6 Drawing Sheets**



(56)

**References Cited**

U.S. PATENT DOCUMENTS

|              |    |   |         |                   |       |         |
|--------------|----|---|---------|-------------------|-------|---------|
| D473,663     | S  | * | 4/2003  | Chou              | ..... | D25/122 |
| D475,798     | S  |   | 6/2003  | Galli             |       |         |
| D476,103     | S  |   | 6/2003  | Galli             |       |         |
| D501,054     | S  |   | 1/2005  | Galli             |       |         |
| D549,860     | S  |   | 8/2007  | Gustafson et al.  |       |         |
| D551,880     | S  | * | 10/2007 | Chen              | ..... | D25/122 |
| D577,449     | S  |   | 9/2008  | Shiu              |       |         |
| D577,844     | S  |   | 9/2008  | Shiu              |       |         |
| D579,595     | S  |   | 10/2008 | Shiu              |       |         |
| D593,631     | S  |   | 6/2009  | Salva             |       |         |
| D632,751     | S  |   | 2/2011  | Bowers et al.     |       |         |
| 8,347,773    | B2 |   | 1/2013  | Schlenkert et al. |       |         |
| 8,397,615    | B2 |   | 3/2013  | Poling            |       |         |
| D682,974     | S  |   | 5/2013  | Honigmann         |       |         |
| D682,975     | S  |   | 5/2013  | Honigmann         |       |         |
| 8,973,481    | B2 |   | 3/2015  | Dueck et al.      |       |         |
| 9,140,511    | B2 |   | 9/2015  | Michal et al.     |       |         |
| D767,072     | S  | * | 9/2016  | Dulisse           | ..... | D22/108 |
| D767,073     | S  | * | 9/2016  | Dulisse           | ..... | D22/108 |
| 2007/0062090 | A1 |   | 3/2007  | Brindle           |       |         |
| 2012/0125184 | A1 |   | 5/2012  | Meyers            |       |         |
| 2012/0273083 | A1 |   | 11/2012 | Lin               |       |         |
| 2013/0061503 | A1 |   | 3/2013  | W. et al.         |       |         |
| 2014/0059913 | A1 |   | 3/2014  | Diamond et al.    |       |         |

\* cited by examiner



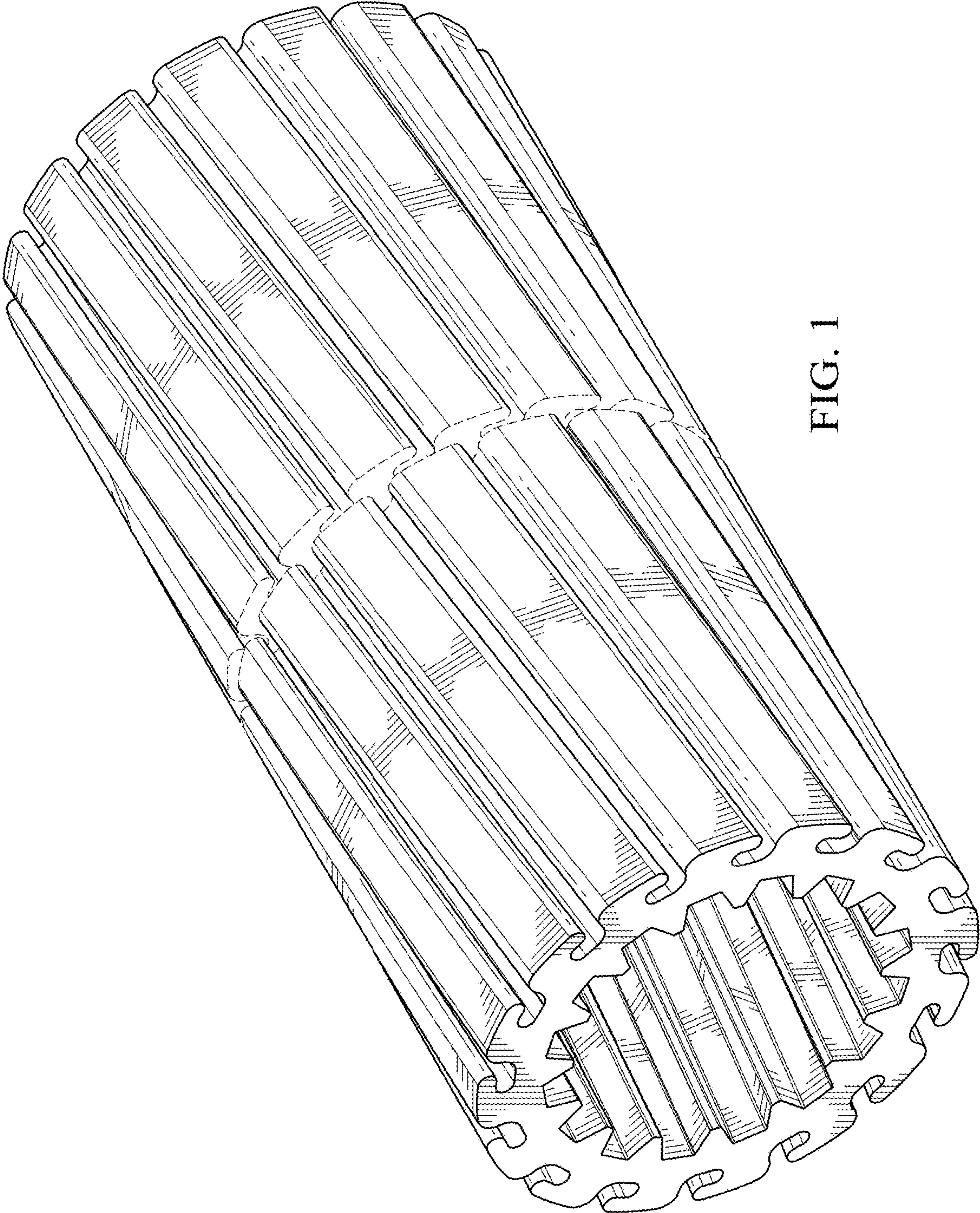
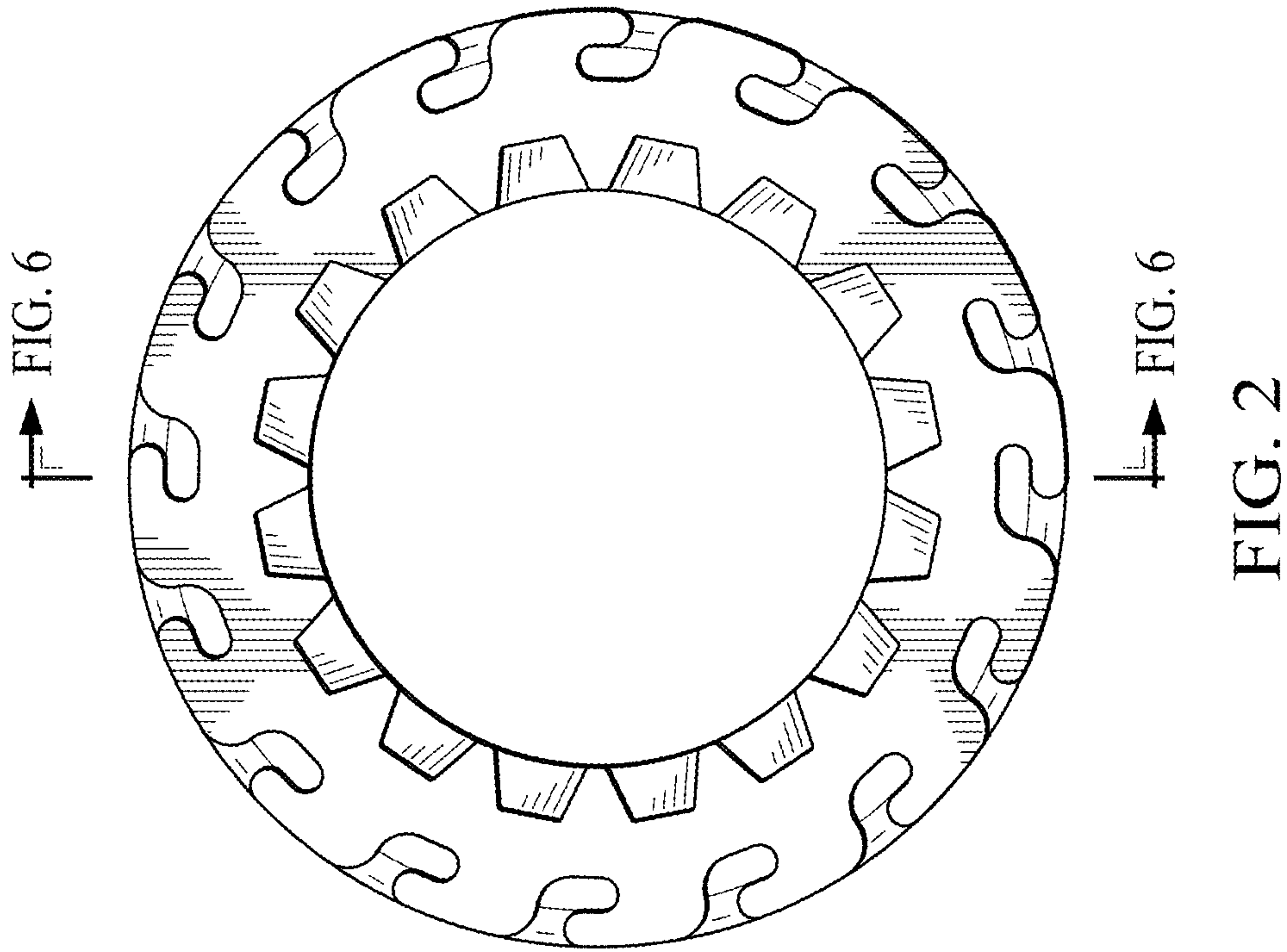


FIG. 1





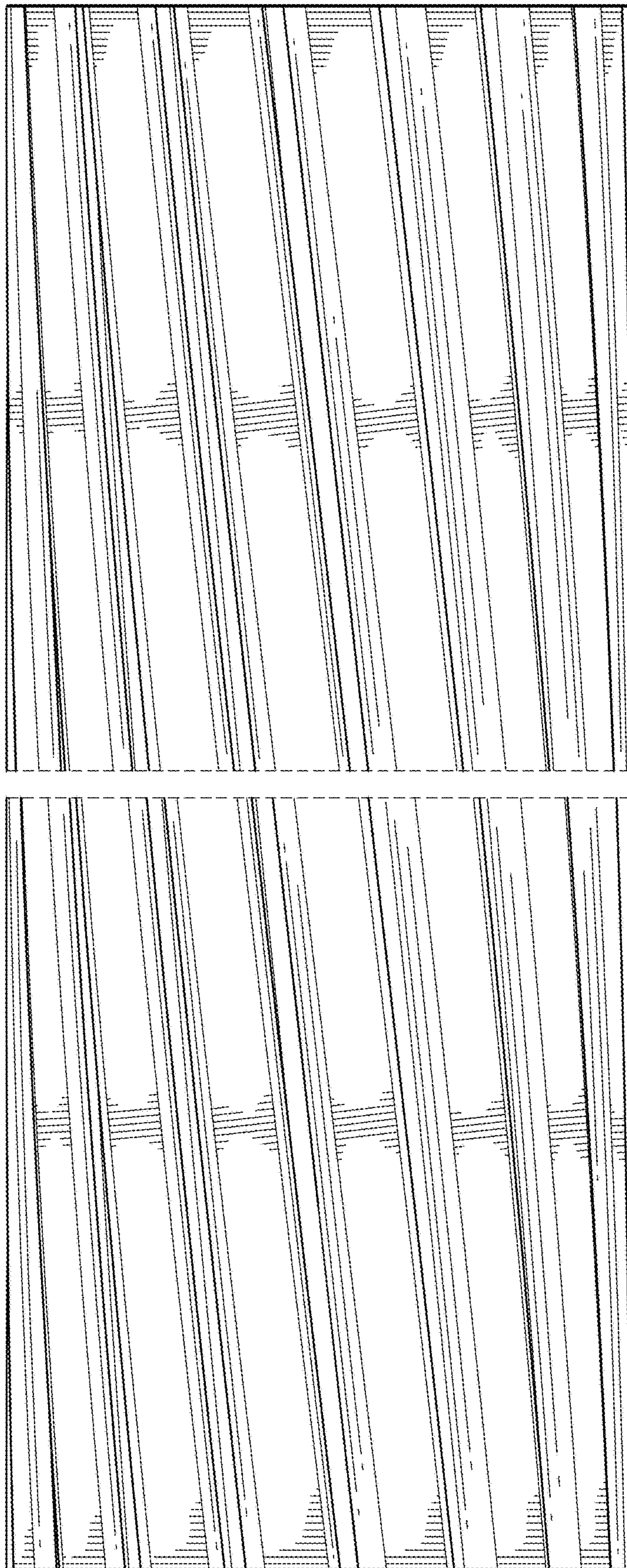


FIG. 3

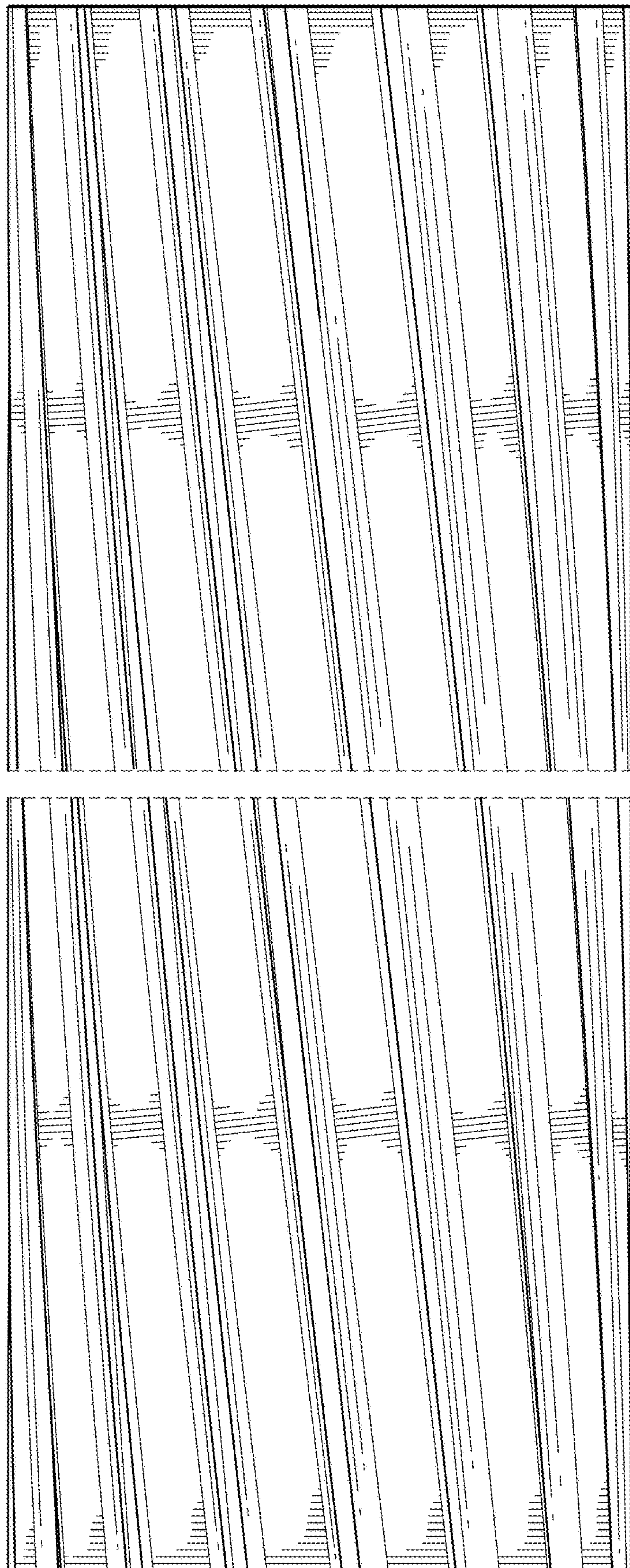


FIG. 4



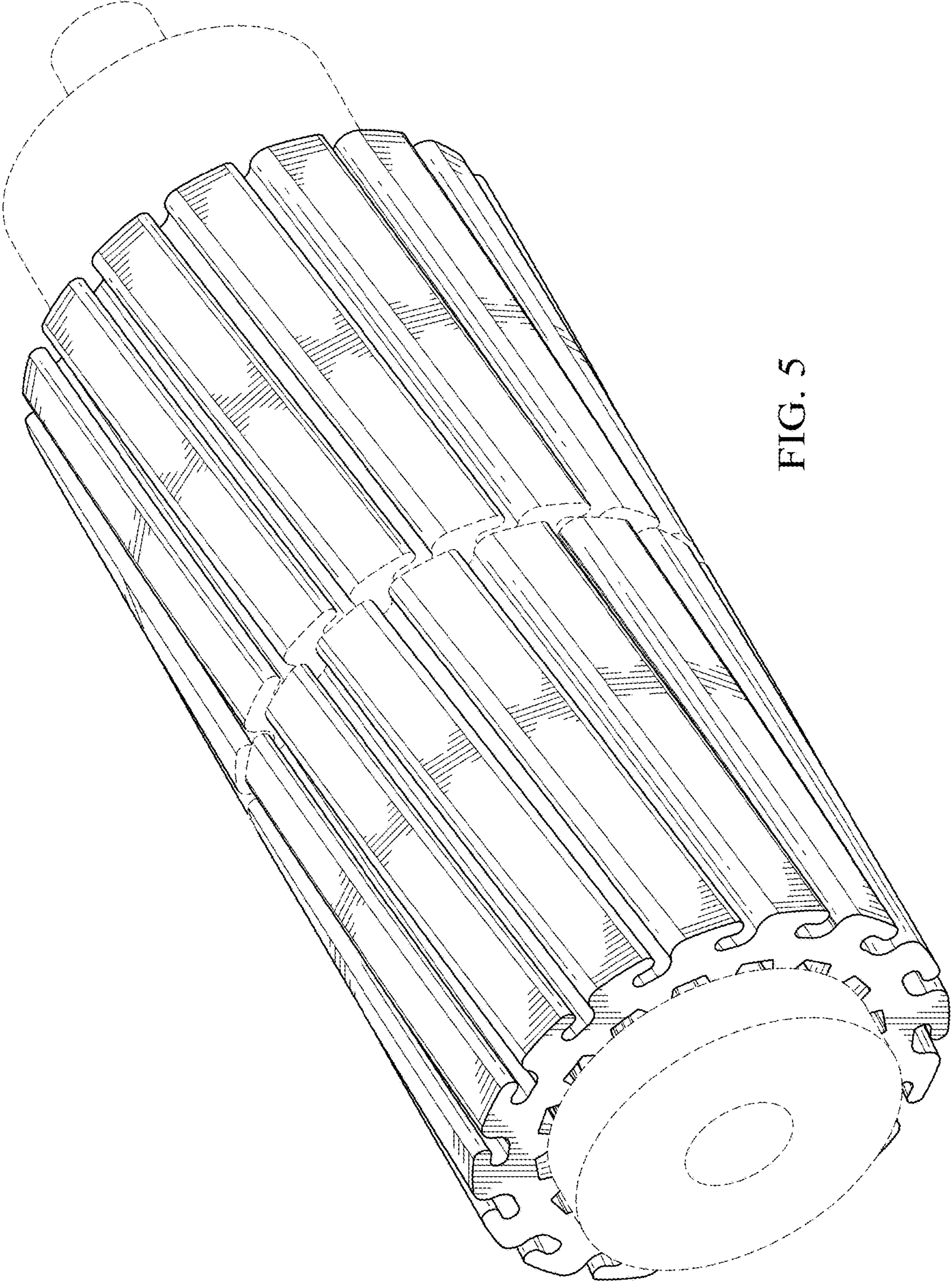


FIG. 5

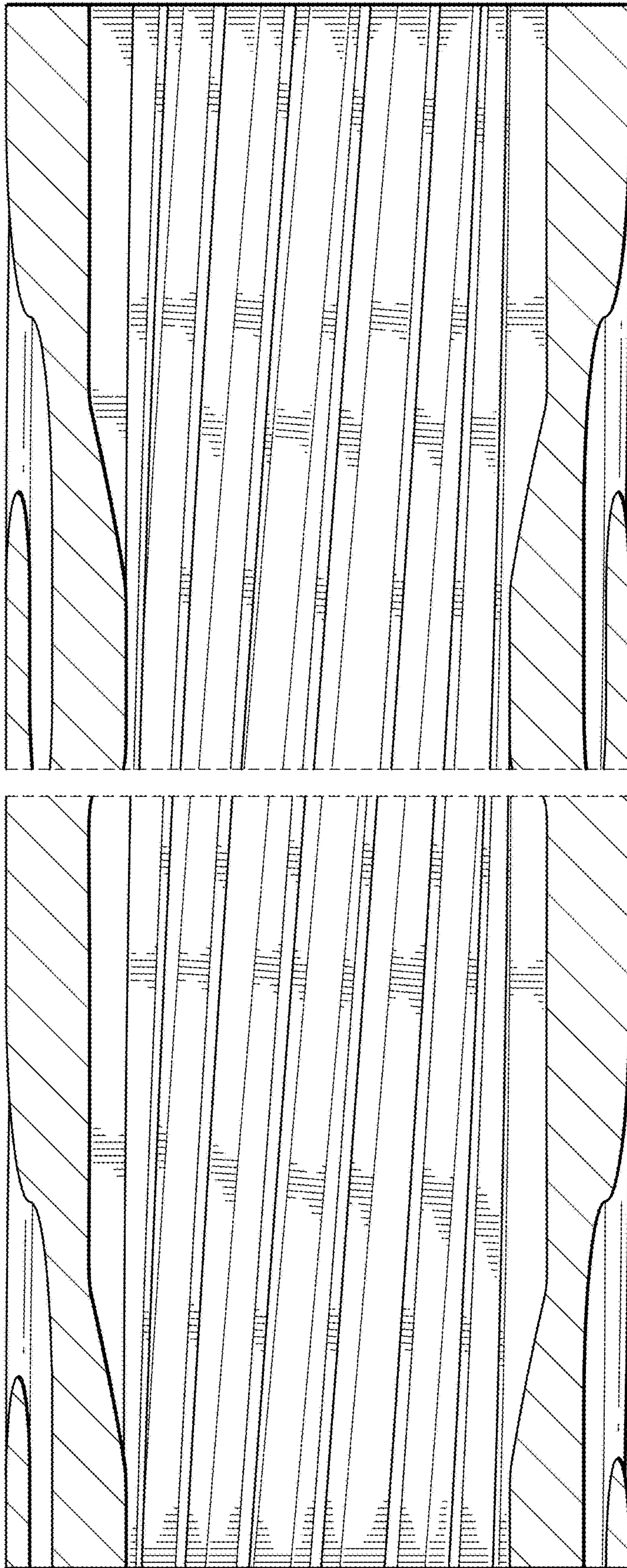


FIG. 6