



US00D778383S

(12) **United States Design Patent** (10) **Patent No.:** **US D778,383 S**
Xu (45) **Date of Patent:** **** Feb. 7, 2017**

(54) **FOLDABLE TENT**

(71) Applicant: **Zhifeng Xu**, Stockton, CA (US)

(72) Inventor: **Zhifeng Xu**, Stockton, CA (US)

(**) Term: **15 Years**

(21) Appl. No.: **29/576,933**

(22) Filed: **Sep. 8, 2016**

(51) **LOC (10) Cl.** **21-04**

(52) **U.S. Cl.**

USPC **D21/837**

(58) **Field of Classification Search**

USPC . D21/834, 837, 839; D25/22, 56, 61; 52/86, 52/90.1, 93.1; 125/87, 121, 122, 124, 125/136, 143, 156, 160, 117

CPC E04H 15/00; E04H 15/02; E04H 15/18; E04H 15/28; E04H 15/32; E04H 15/34; E04H 15/40; E04H 15/42; E04H 15/425; E04H 15/50

See application file for complete search history.

(56) **References Cited**

U.S. PATENT DOCUMENTS

3,960,161 A	6/1976	Normal	
D318,706 S	7/1991	Norman	
D326,134 S	5/1992	Norman	
D327,524 S *	6/1992	Kim	D21/834
D341,407 S	11/1993	McLeese	
5,411,046 A	5/1995	Wan	
5,601,105 A	2/1997	Blen	
5,645,096 A	7/1997	Hazinski	
5,816,278 A	10/1998	Kim	
D400,949 S	11/1998	Gale	
D401,983 S	12/1998	Lowenthal	
D425,958 S *	5/2000	DePasquale	D21/837

(Continued)

Primary Examiner — Cynthia M Chin

(74) *Attorney, Agent, or Firm* — Jeanette Meng Nakagawa

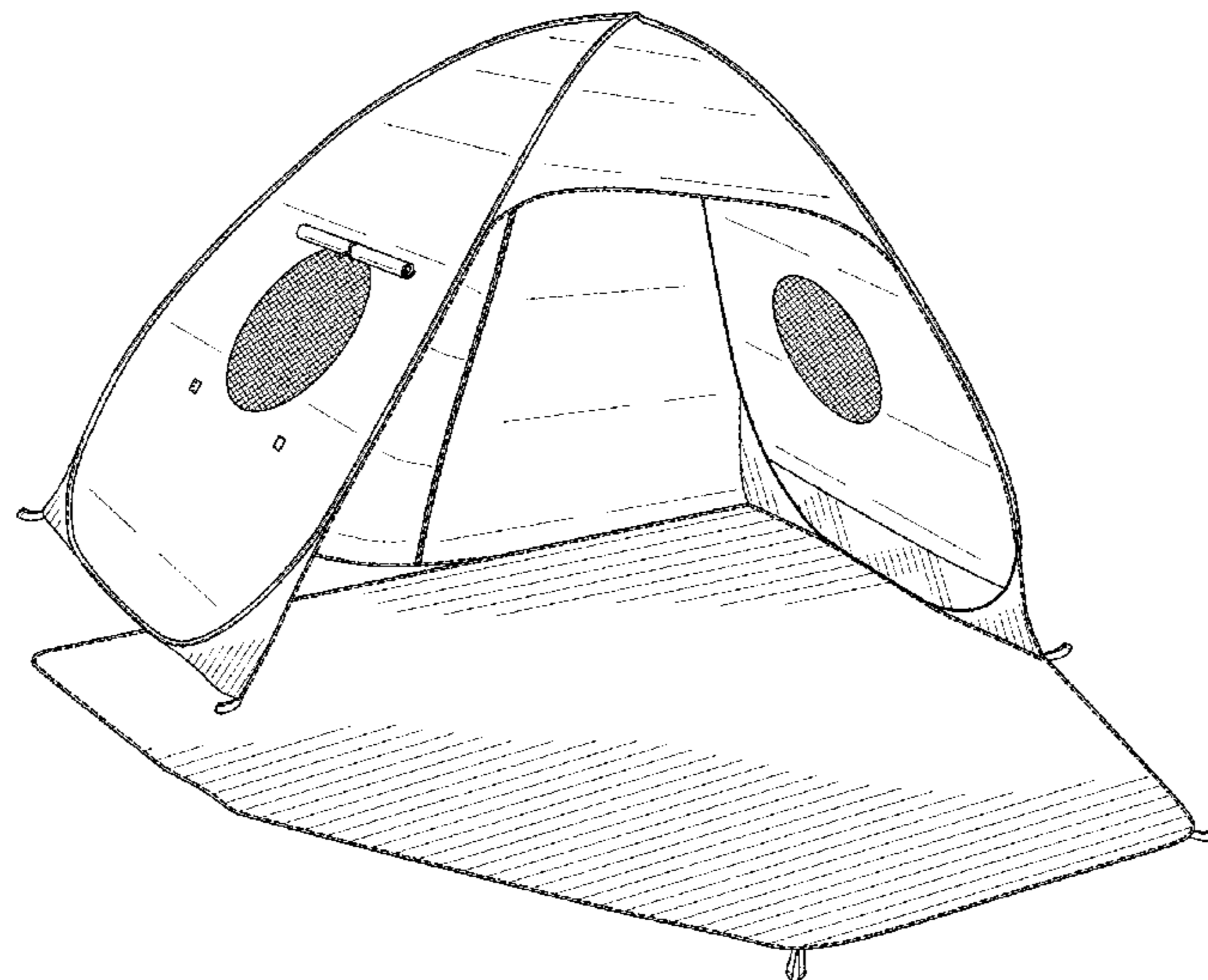
(57) **CLAIM**

The ornamental design for a foldable tent, as shown and described.

DESCRIPTION

FIG. 1 is a perspective view from above of a foldable tent showing my new design;
 FIG. 2 is a back view thereof;
 FIG. 3 is a front view thereof;
 FIG. 4 is a left side view thereof;
 FIG. 5 is a right side view thereof;
 FIG. 6 is a top view thereof;
 FIG. 7 is a bottom view thereof;
 FIG. 8 is a perspective view from above and front of the foldable tent with its front closed, and with side window blind in an un-tied position;
 FIG. 9 is a perspective view from above and behind of the foldable tent with its back opened, and with side window blind in an un-tied position;
 FIG. 10 is a perspective view from above and front of the foldable tent with a bottom panel half released;
 FIG. 11 is a perspective view from above of the foldable tent in a bent position, with left and right sides of the foldable tent superimposed onto each other;
 FIG. 12 is a perspective view from above of the foldable tent in a semi-collapsed state;
 FIG. 13 is a perspective view from above of the foldable tent in a further collapsed state;
 FIG. 14 is a perspective view from above of the foldable tent in a final collapsed state; and,
 FIG. 15 is a perspective view from above of the foldable tent in a completely collapsed state and secured into a carry bag. The broken lines in FIGS. 1- 3, 6 & 8-10 represent zippers that form a part of the claimed design. The broken-lined carry bag in FIG. 15 represents an exemplary environment in which the tent resides and forms no part of the claimed design.

1 Claim, 10 Drawing Sheets



(56)

References Cited

U.S. PATENT DOCUMENTS

6,098,349	A *	8/2000	Zheng	E04H 15/40 52/116
6,109,281	A *	8/2000	Lowenthal	E04H 15/003 135/117
6,109,282	A	8/2000	Yoon	
6,328,050	B1	12/2001	McConnell	
6,453,923	B2	9/2002	Zheng	
6,851,136	B2	2/2005	Brereton	
D505,175	S	5/2005	Wehner	
D514,747	S	2/2006	Bertoli	
7,040,333	B1	5/2006	Ransom	
D524,900	S	7/2006	Reis	
D530,719	S	10/2006	Roubanis	
7,302,957	B2 *	12/2007	Ross	E04H 15/40 135/117
D630,287	S *	1/2011	Bell	D21/834
D646,741	S	10/2011	Akaka	
8,087,423	B2 *	1/2012	Knipschild	E04H 15/40 135/116
D661,362	S	6/2012	Zimmer	
D711,997	S	8/2014	Pescovitz	
D721,413	S	1/2015	Zimmer	
D725,212	S	3/2015	Lah	
D741,437	S	10/2015	Zimmer	
D750,721	S	3/2016	Shirley-Smith	
D753,254	S	4/2016	Brensinger et al.	
D763,391	S *	8/2016	Xu	D21/837
2003/0183263	A1	10/2003	Viglione	
2005/0081903	A1	4/2005	Wang	
2005/0121061	A1	6/2005	Zheng	
2008/0072947	A1 *	3/2008	Lanham	E04H 15/40 135/126
2012/0160287	A1	6/2012	van Aalst	

* cited by examiner

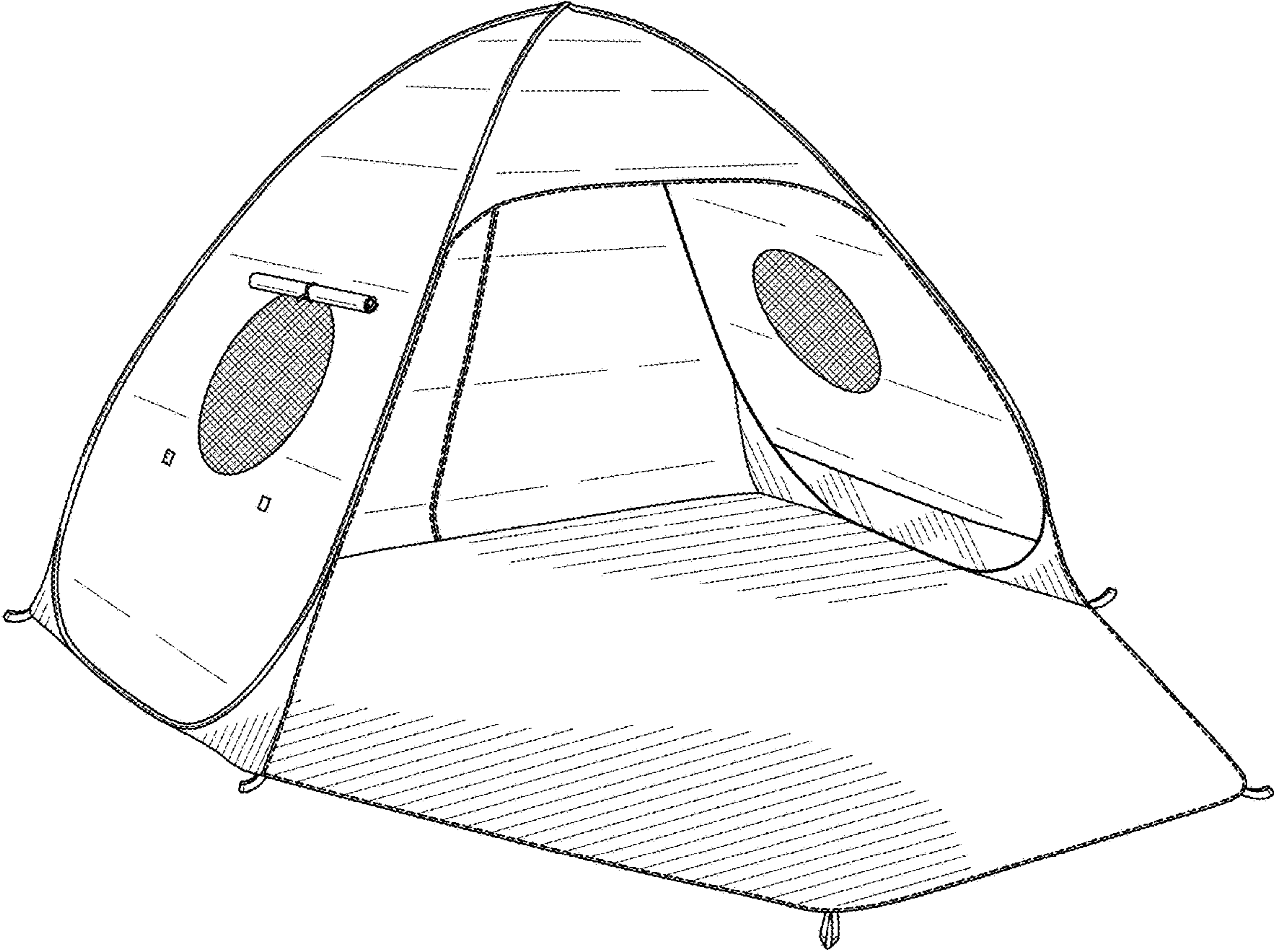


FIG. 1

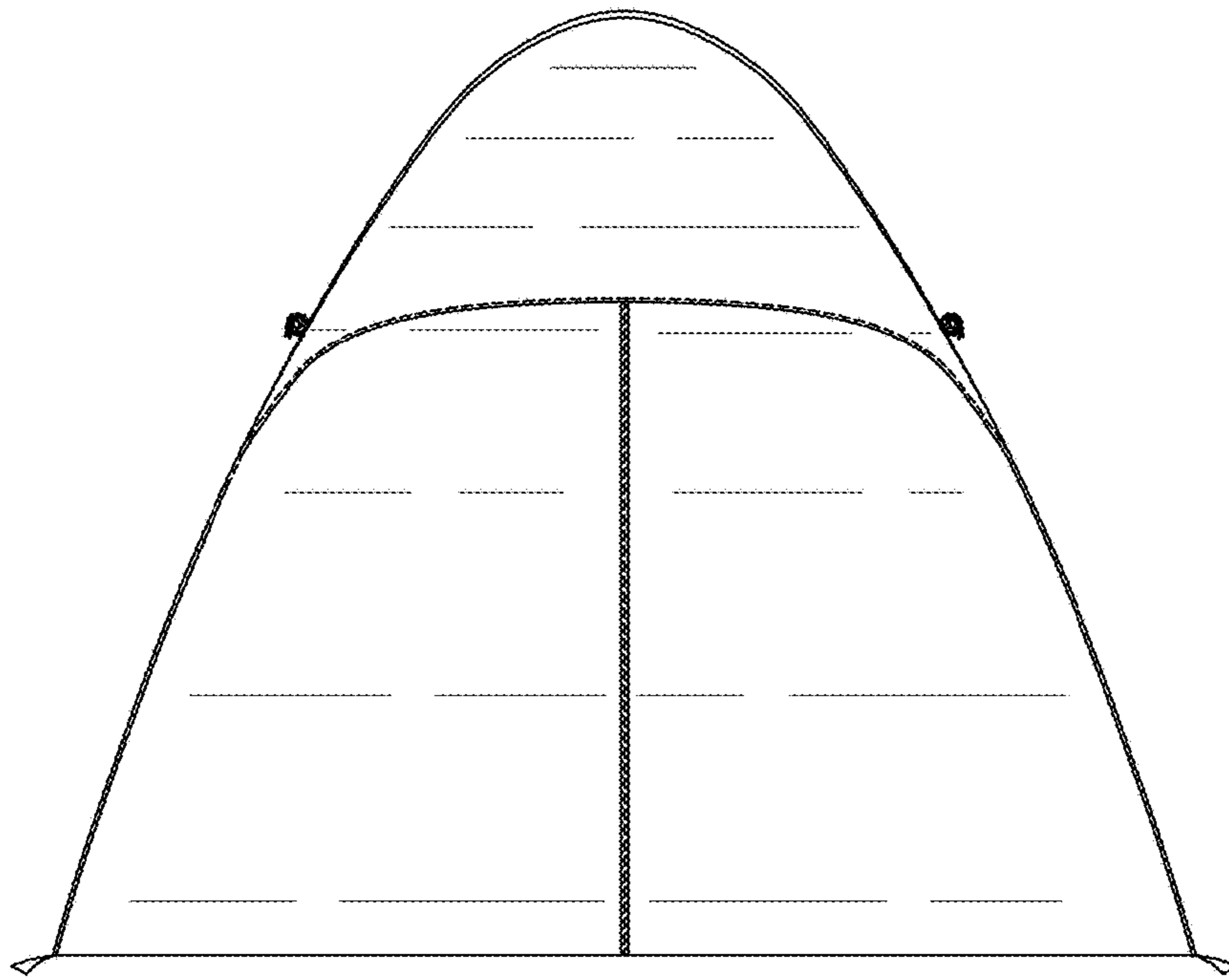


FIG. 2

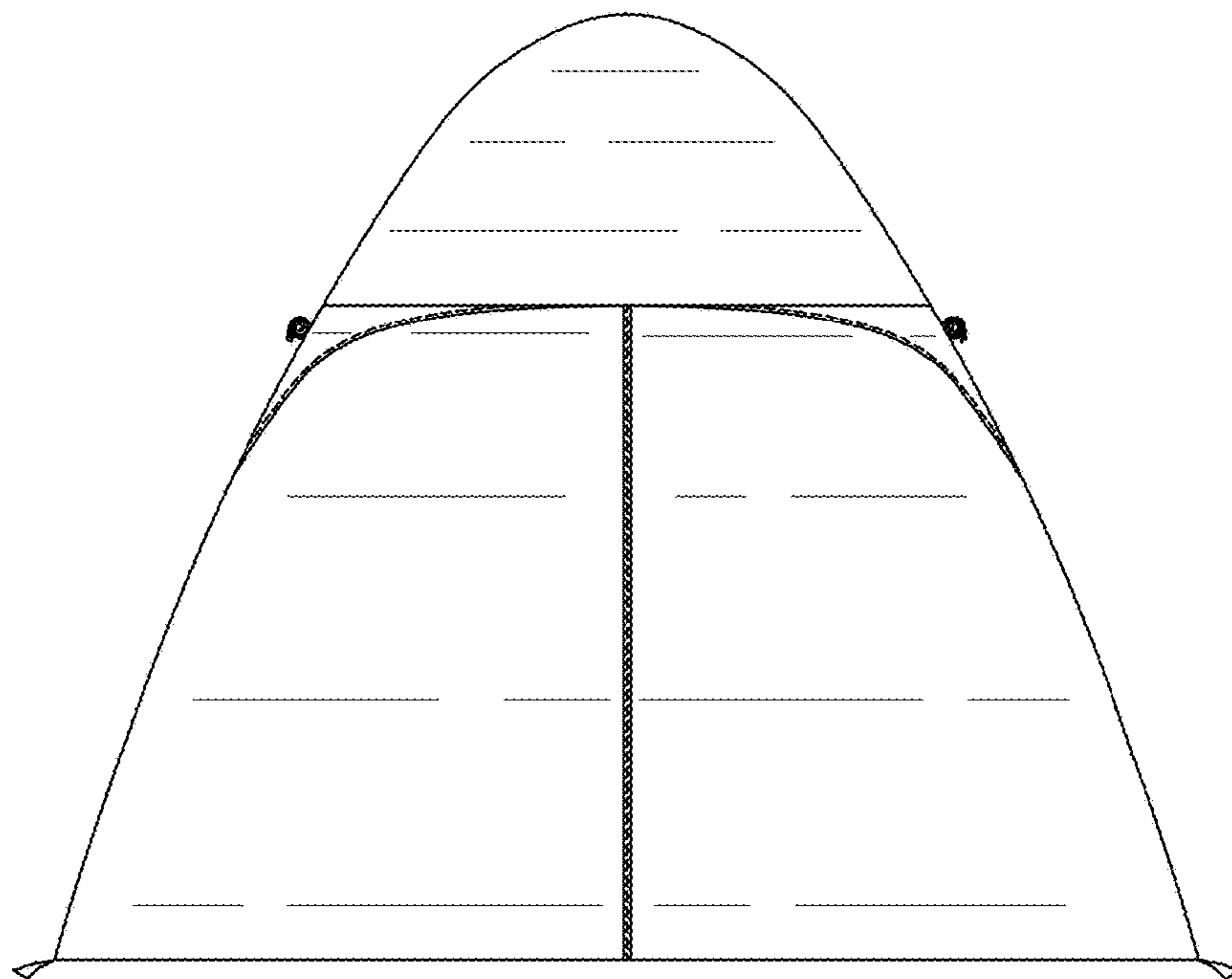


FIG. 3

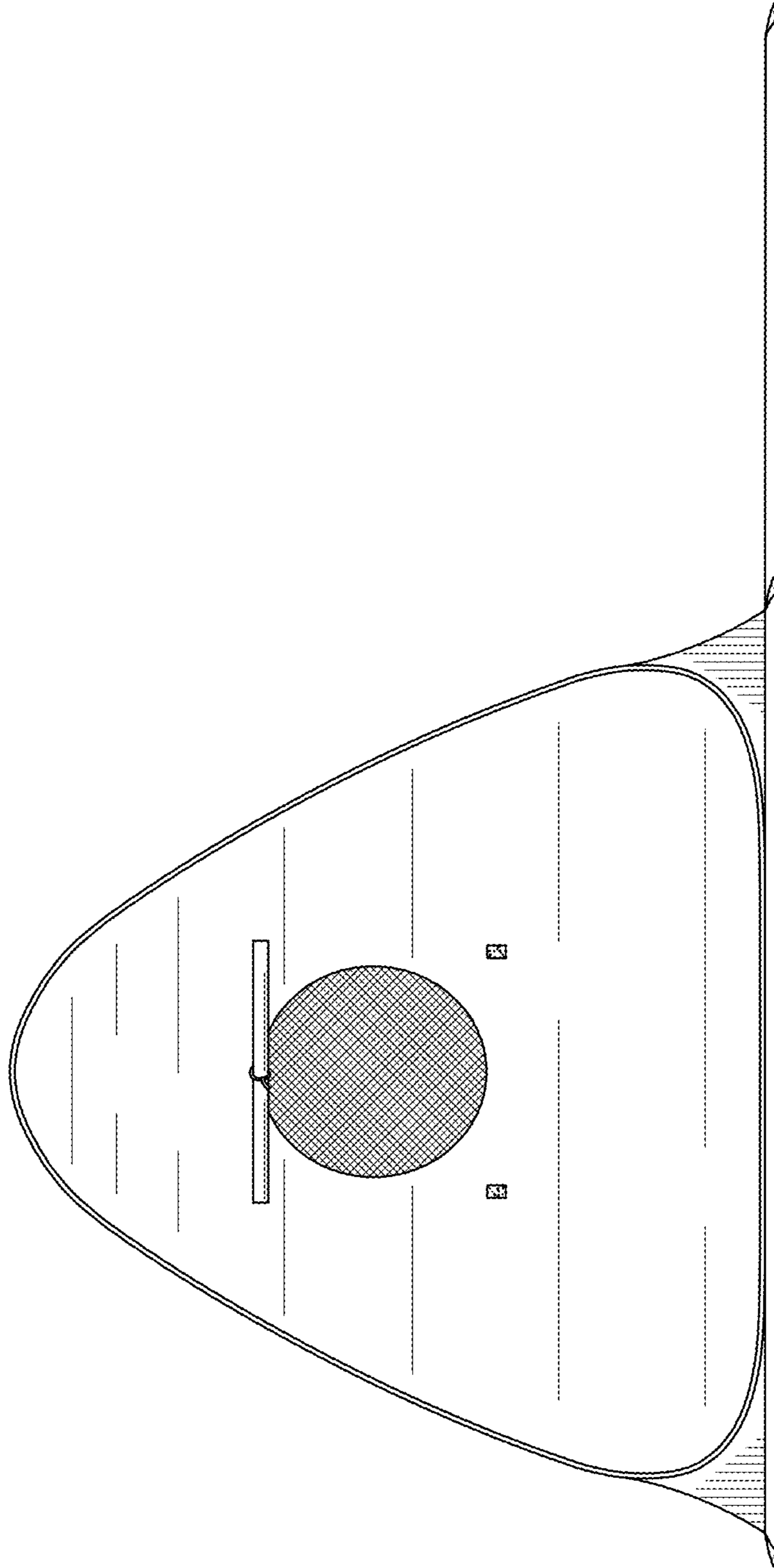


FIG. 4

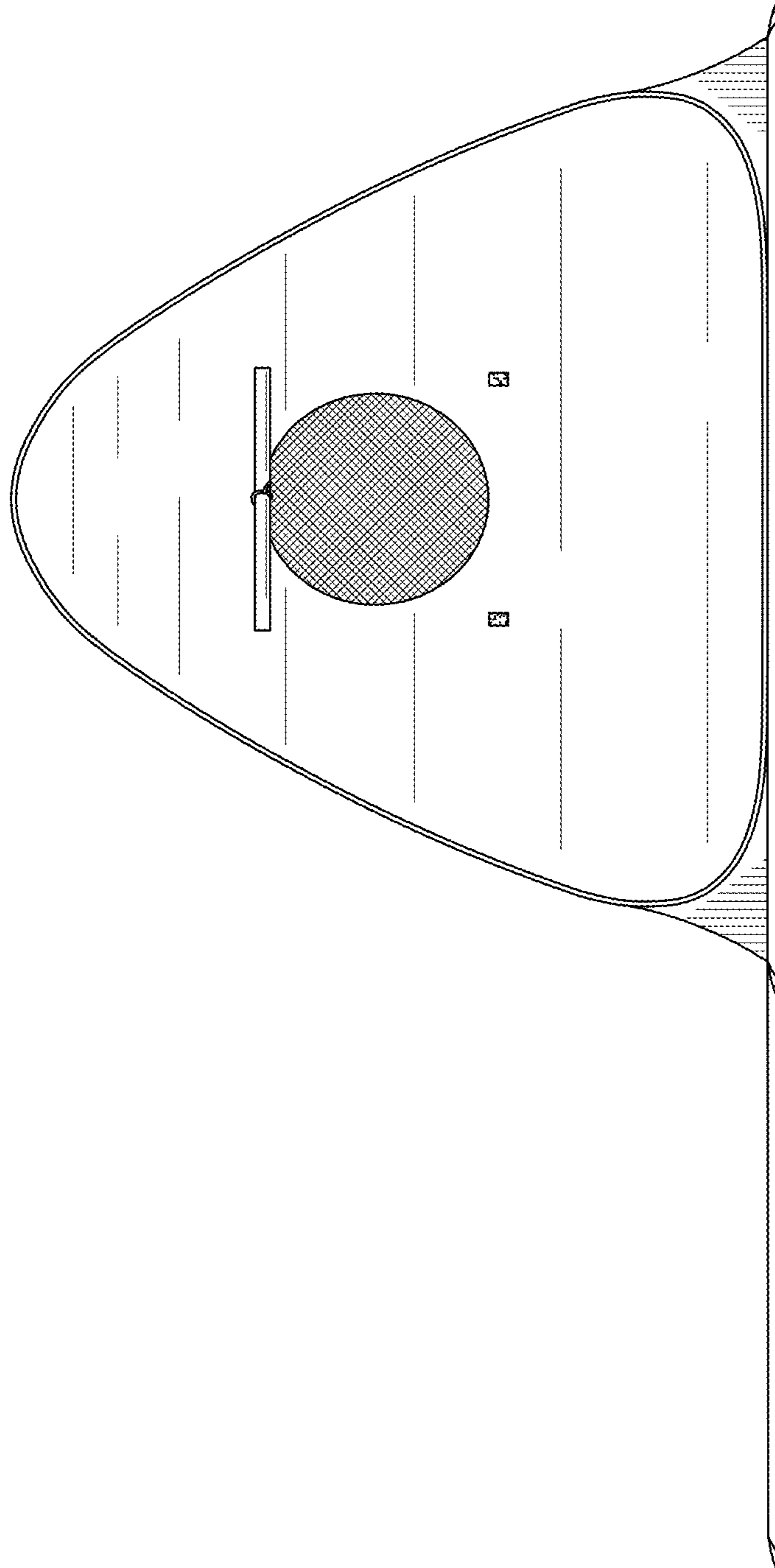


FIG. 5

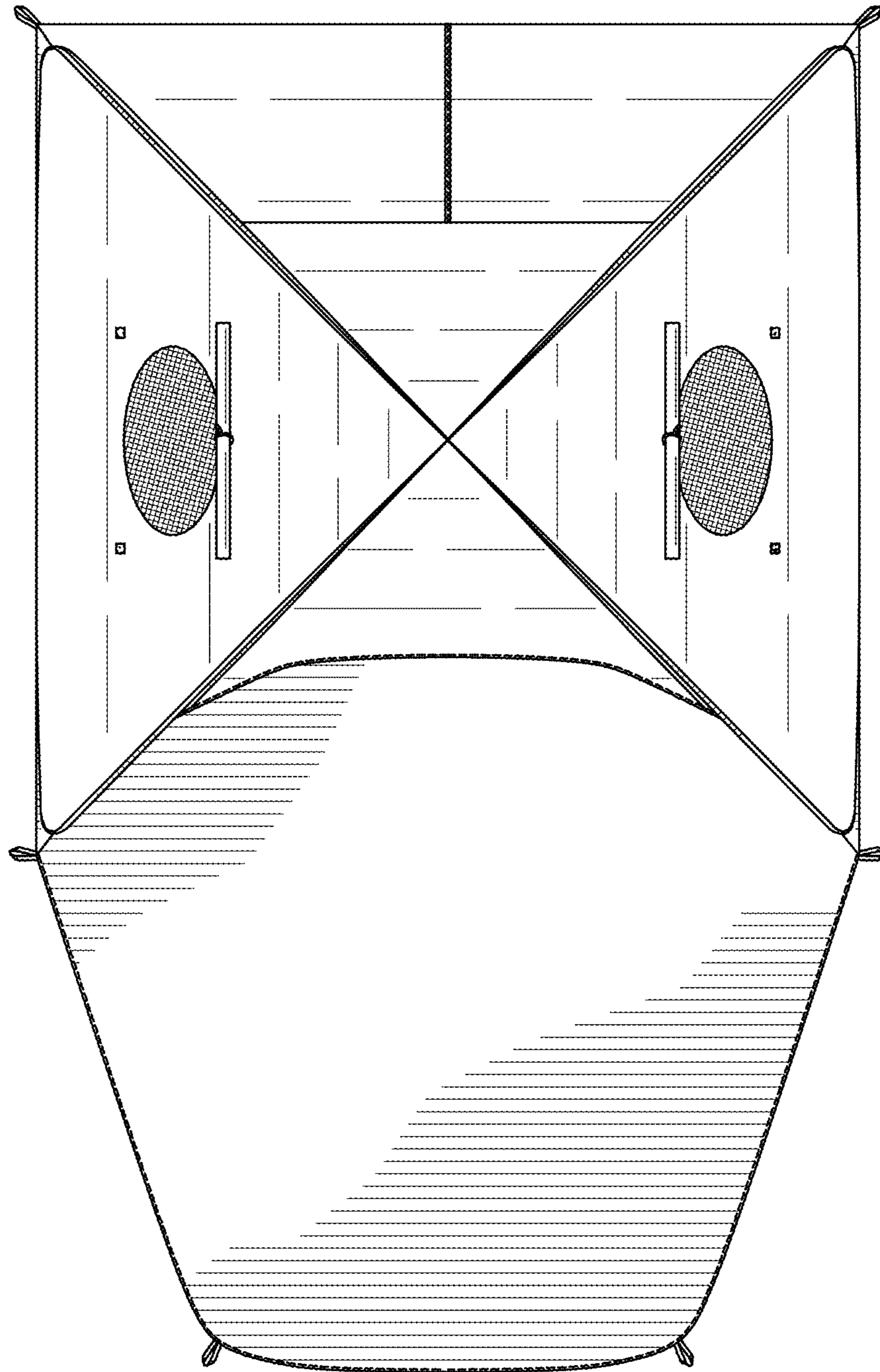


FIG. 6

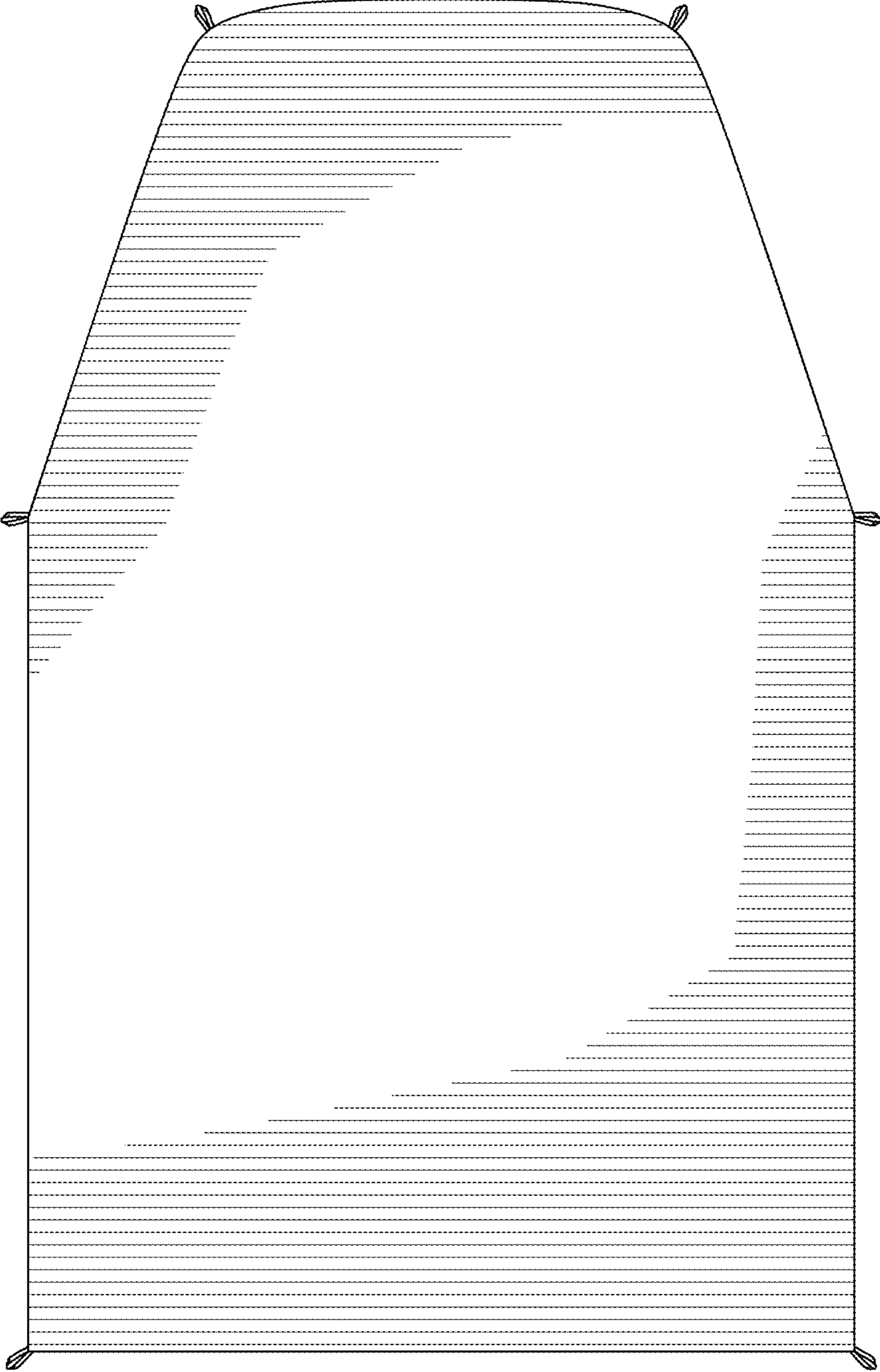


FIG. 7

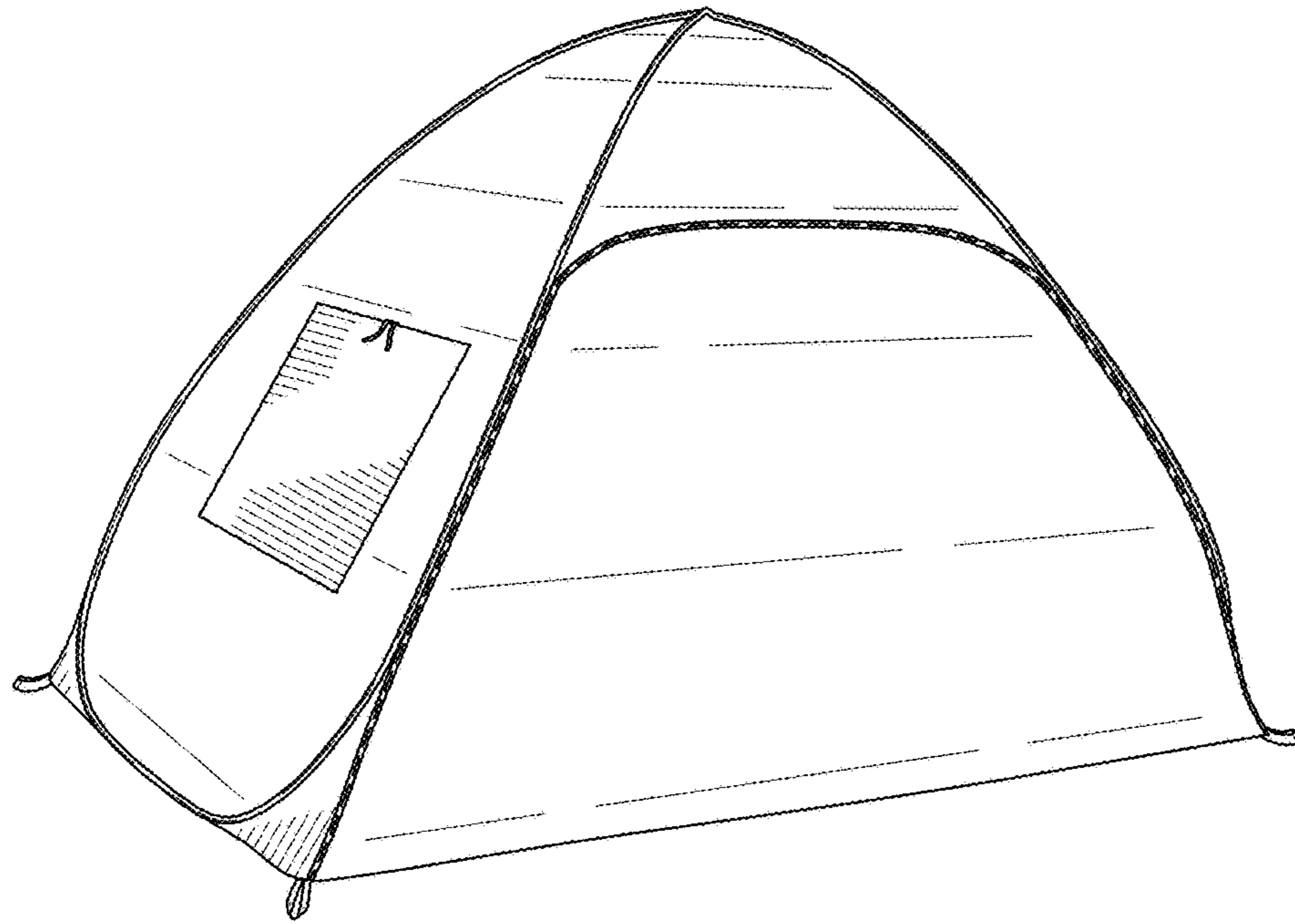


FIG. 8

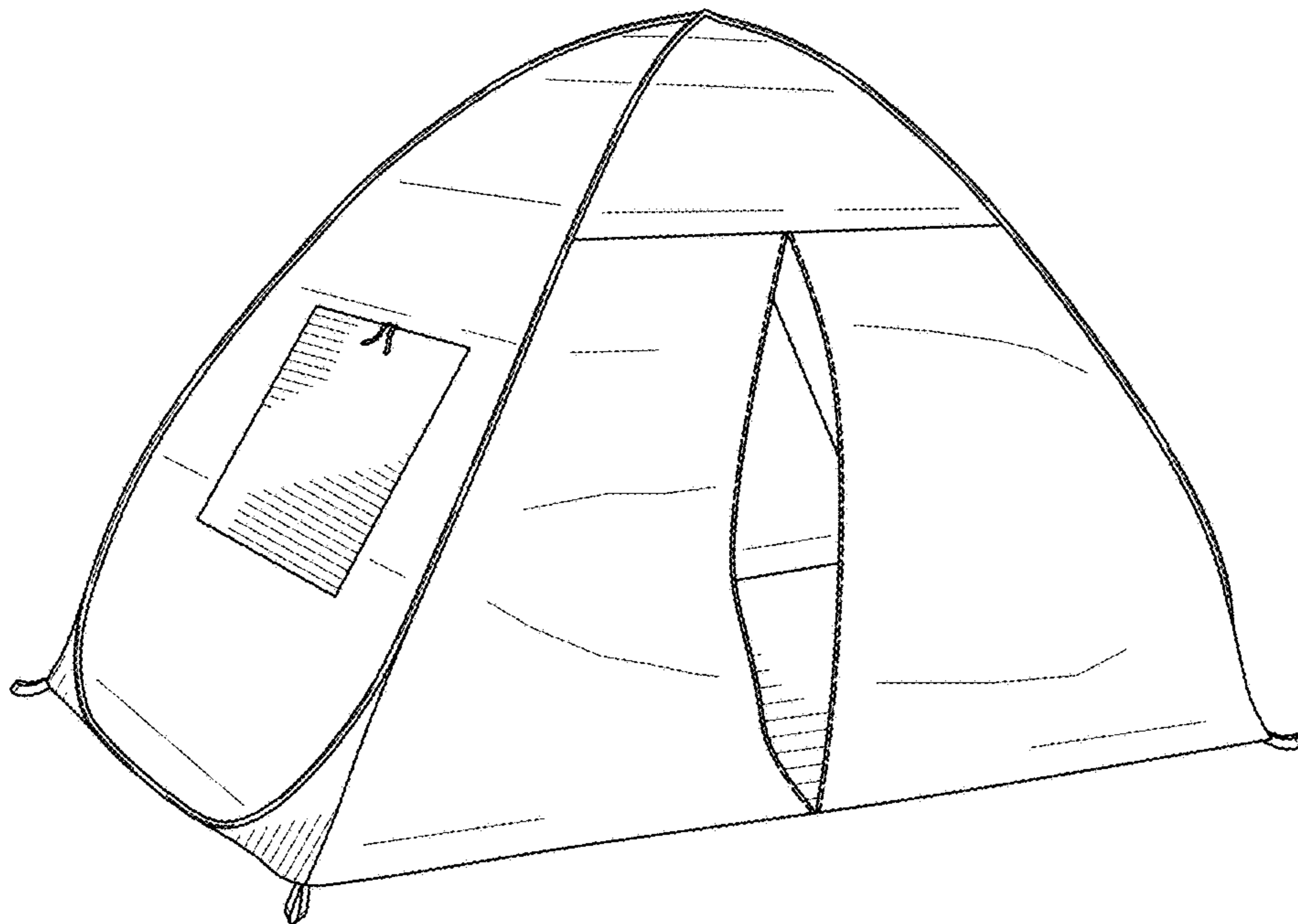


FIG. 9

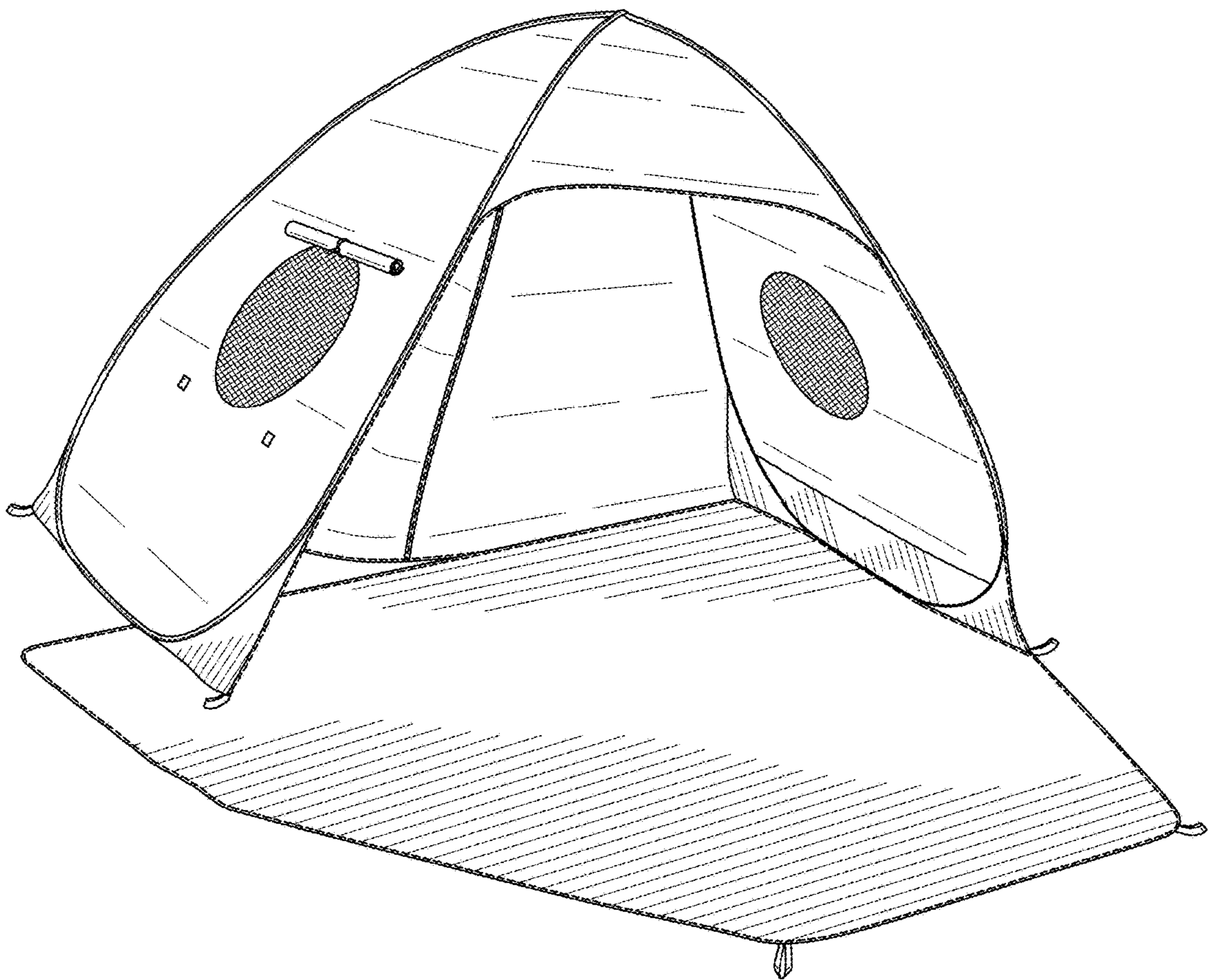
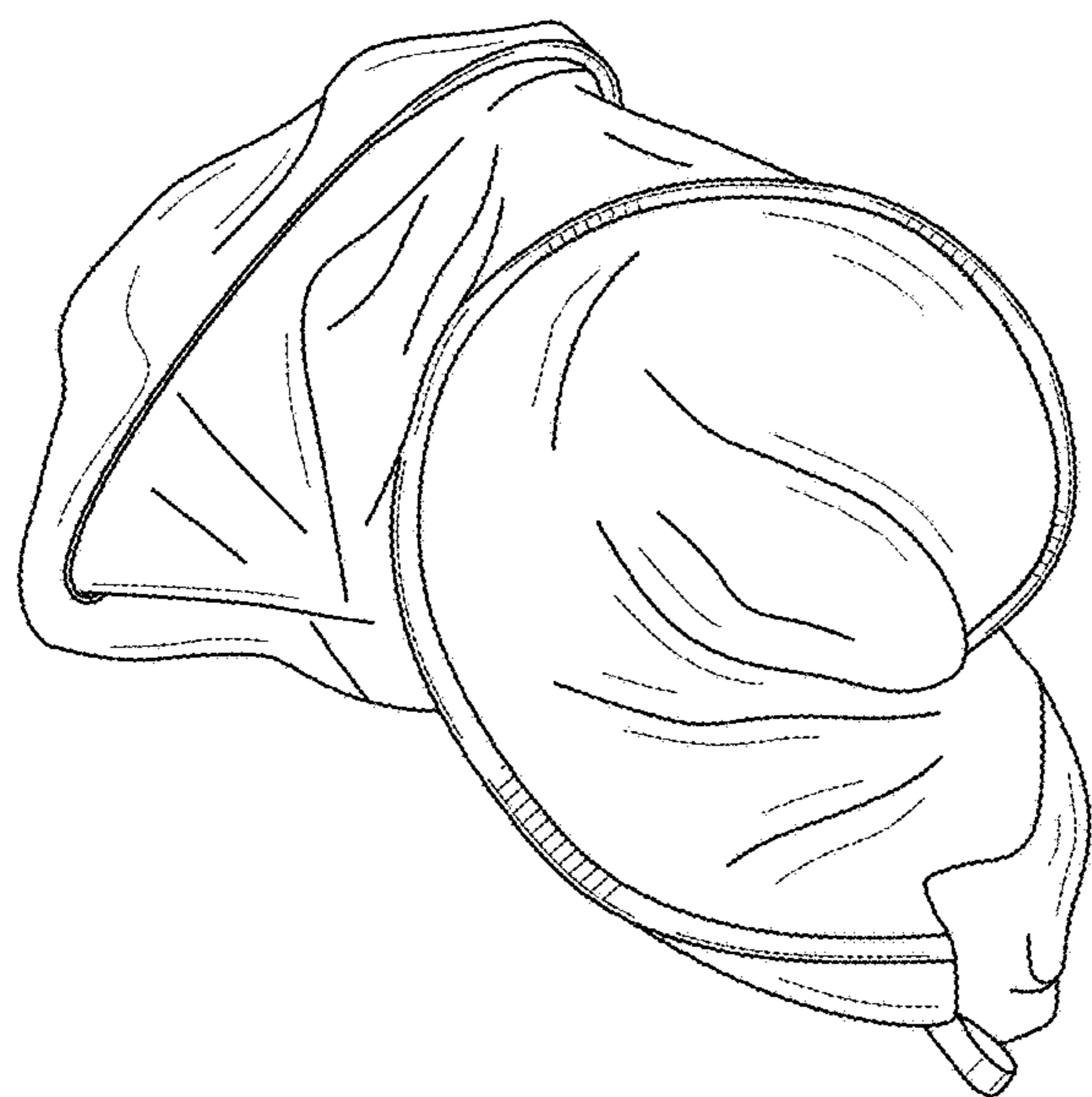
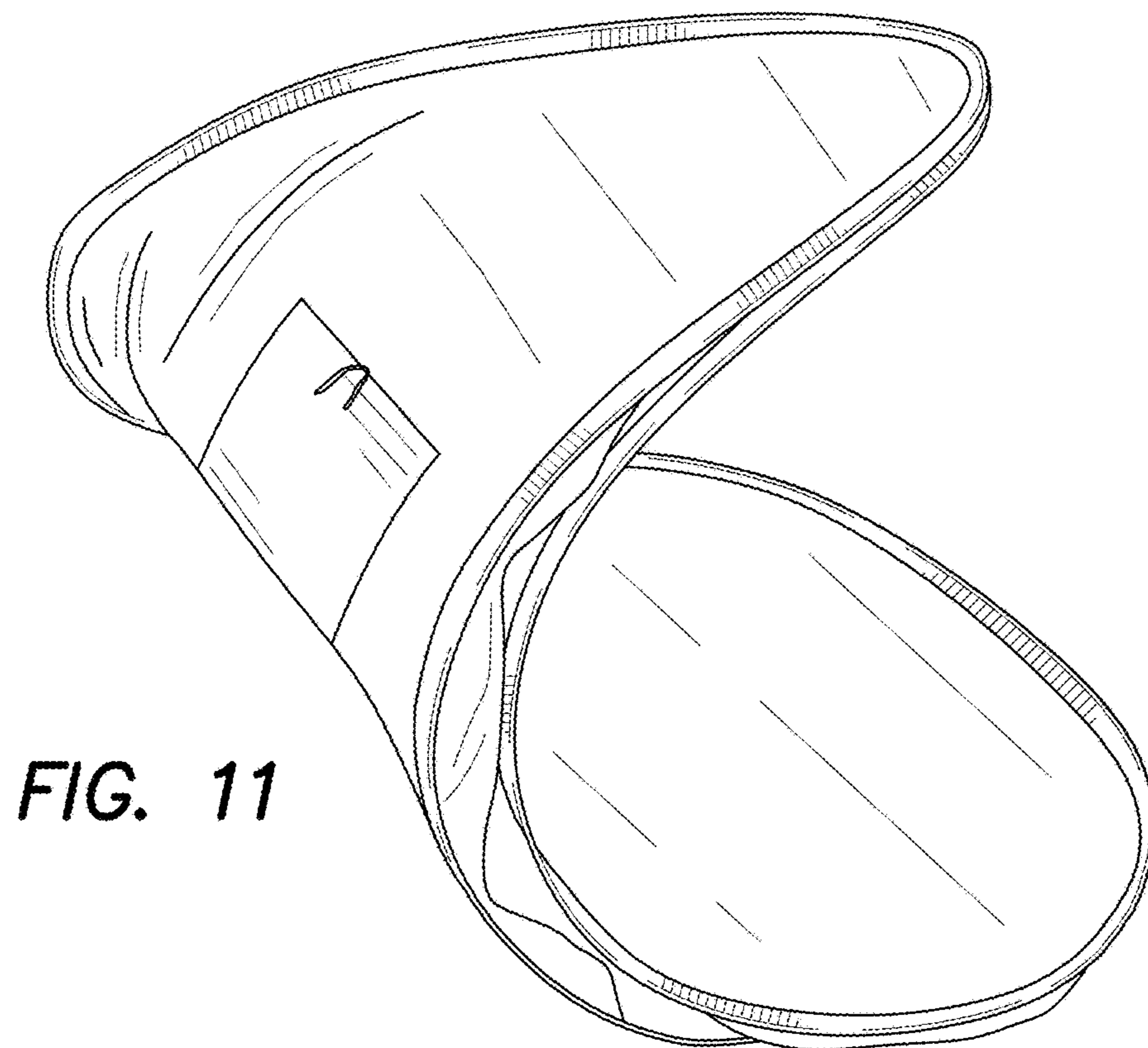


FIG. 10



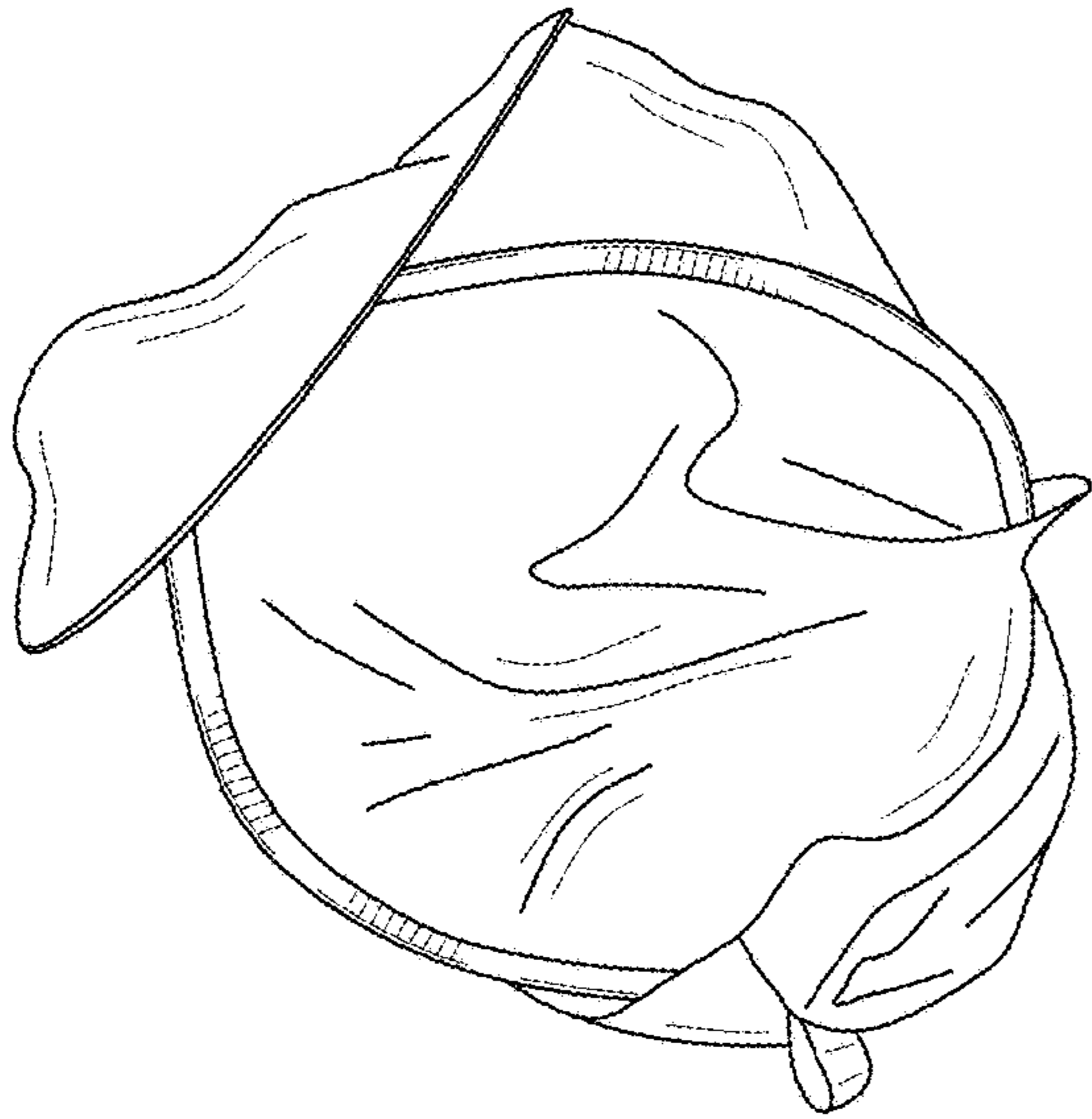


FIG. 13

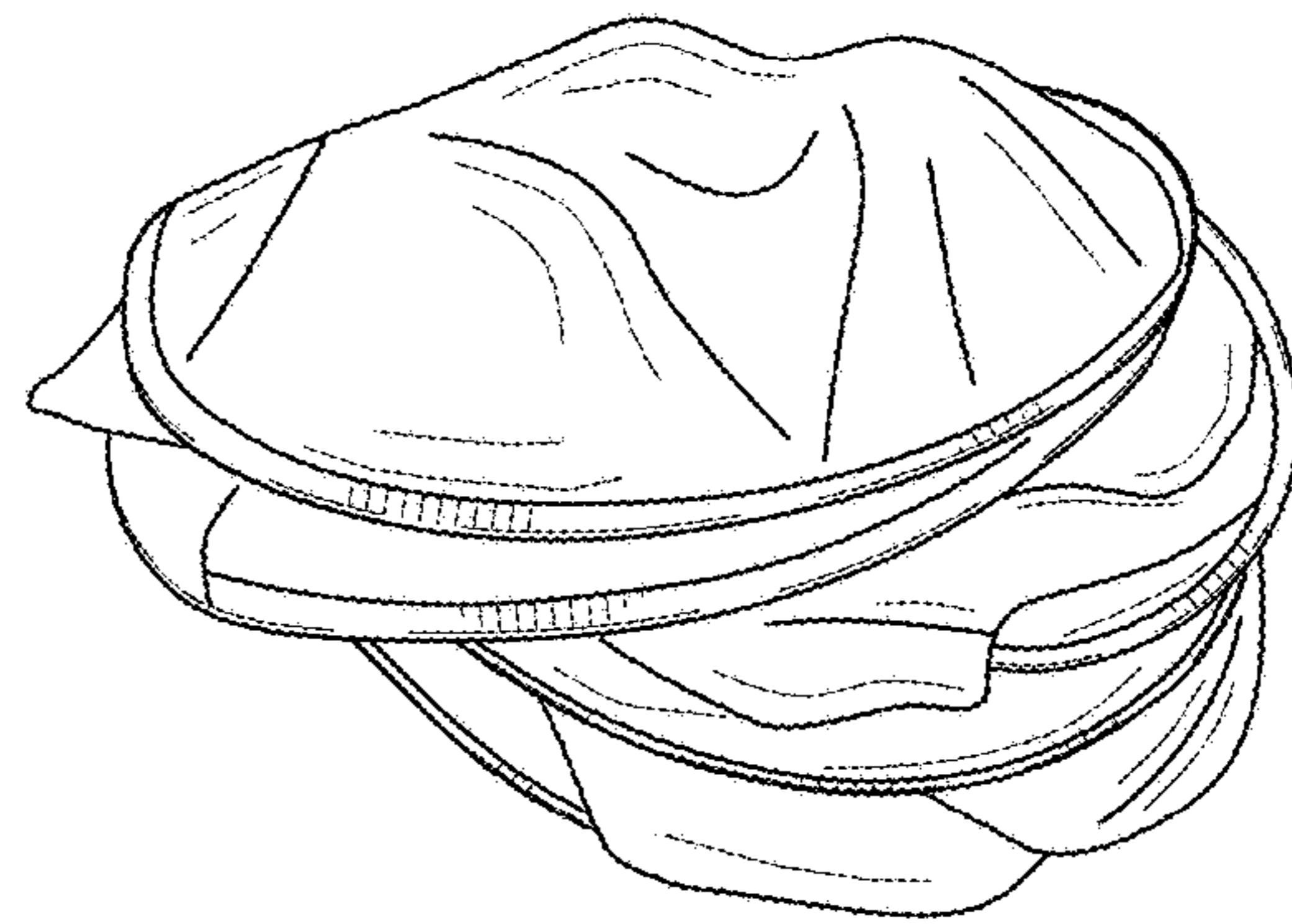


FIG. 14

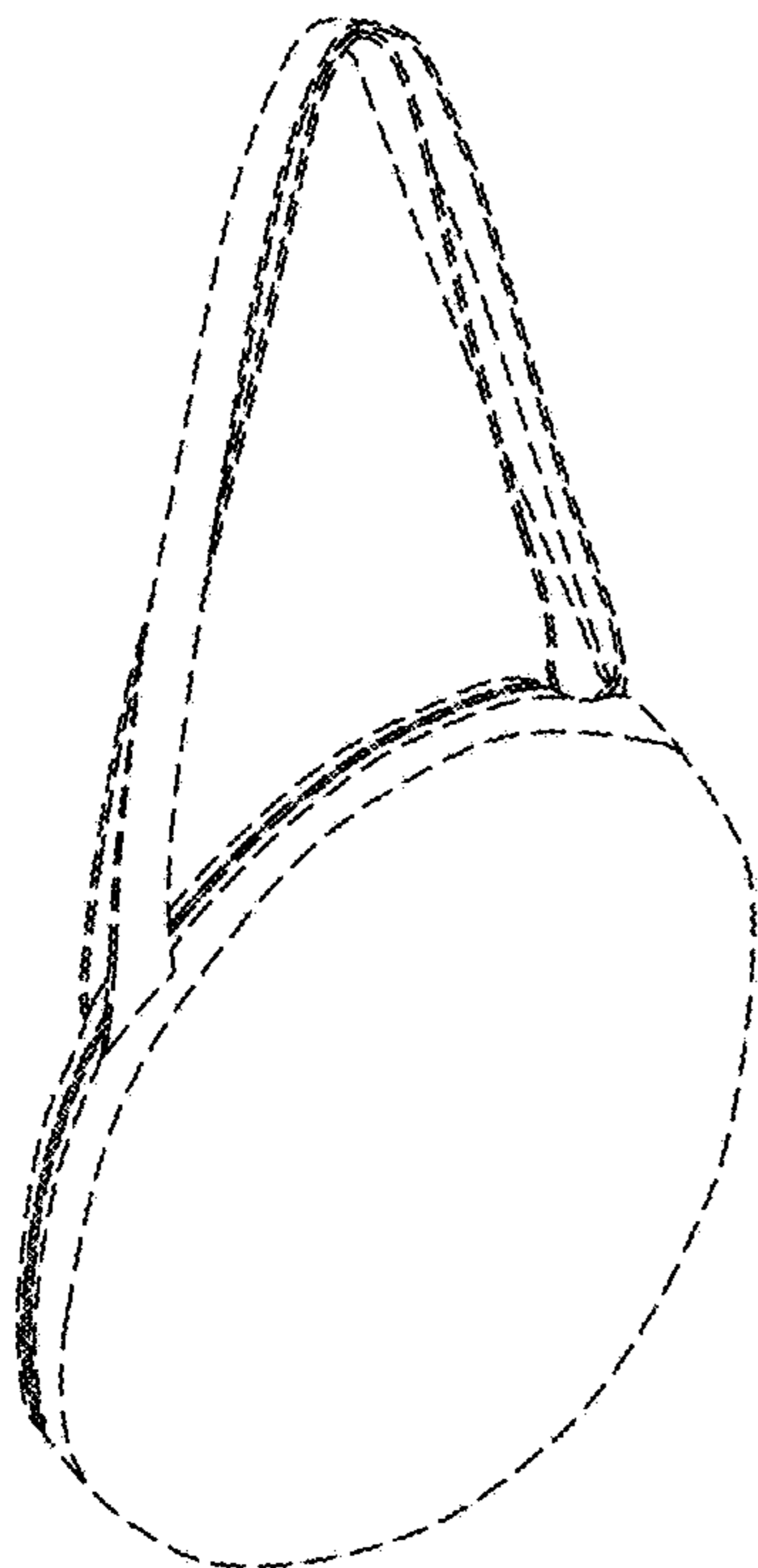


FIG. 15