



US00D778379S

(12) **United States Design Patent**  
**Westrom et al.**

(10) **Patent No.:** **US D778,379 S**

(45) **Date of Patent:** **\*\* Feb. 7, 2017**

(54) **SOCCER TEE**

(71) Applicants: **James Michael Westrom**, Colleyville, TX (US); **James Donn Hethcock, Jr.**, Colleyville, TX (US)

(72) Inventors: **James Michael Westrom**, Colleyville, TX (US); **James Donn Hethcock, Jr.**, Colleyville, TX (US)

(\*\*) Term: **15 Years**

(21) Appl. No.: **29/538,691**

(22) Filed: **Sep. 7, 2015**

**Related U.S. Application Data**

(63) Continuation-in-part of application No. 29/512,624, filed on Dec. 21, 2014, now Pat. No. Des. 740,898.

(51) **LOC (10) Cl.** ..... **21-02**

(52) **U.S. Cl.**  
USPC ..... **D21/716; D21/717**

(58) **Field of Classification Search**  
USPC ..... **D21/717-719, 789-796**  
CPC ..... **A63B 57/10-57/40; A63B 57/0012; A63B 69/0073; A63B 69/0075; A63B 47/00**

See application file for complete search history.

(56) **References Cited**

**U.S. PATENT DOCUMENTS**

- D31,878 S \* 11/1899 Sewall ..... D21/717
- D33,398 S \* 10/1900 Herrick ..... 473/387
- D47,942 S \* 10/1915 Abert ..... 473/387
- 1,176,039 A \* 3/1916 Kaiser et al. .... A63B 57/10  
473/399
- 1,527,786 A \* 2/1925 Cole, Sr. .... A63B 57/10  
473/268
- 1,604,390 A \* 10/1926 Coker ..... A63B 57/10  
473/388

- 1,636,655 A \* 7/1927 Young ..... A63B 57/10  
473/387
- D75,984 S \* 8/1928 Reich ..... D21/717
- 1,759,657 A \* 5/1930 McLeod ..... A63B 57/10  
473/387
- 2,079,387 A \* 5/1937 Sickmiller ..... A63B 57/10  
248/161

(Continued)

**FOREIGN PATENT DOCUMENTS**

- DE 2251584 A1 \* 5/1973 ..... A63B 57/40
- FR 2971430 A1 \* 8/2012 ..... A63B 57/0031

(Continued)

*Primary Examiner* — Catherine Tuttle

(74) *Attorney, Agent, or Firm* — Jeffrey Roddy

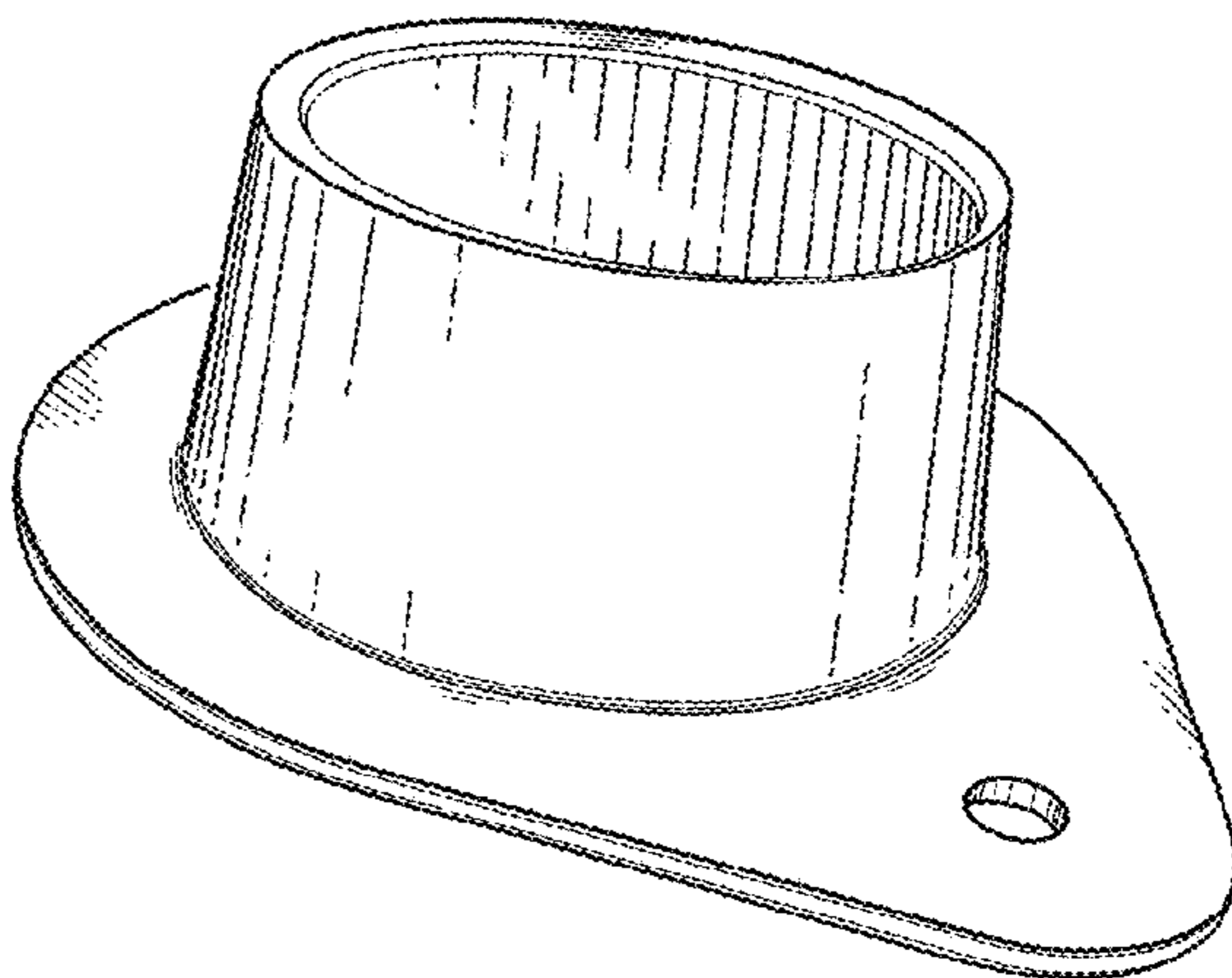
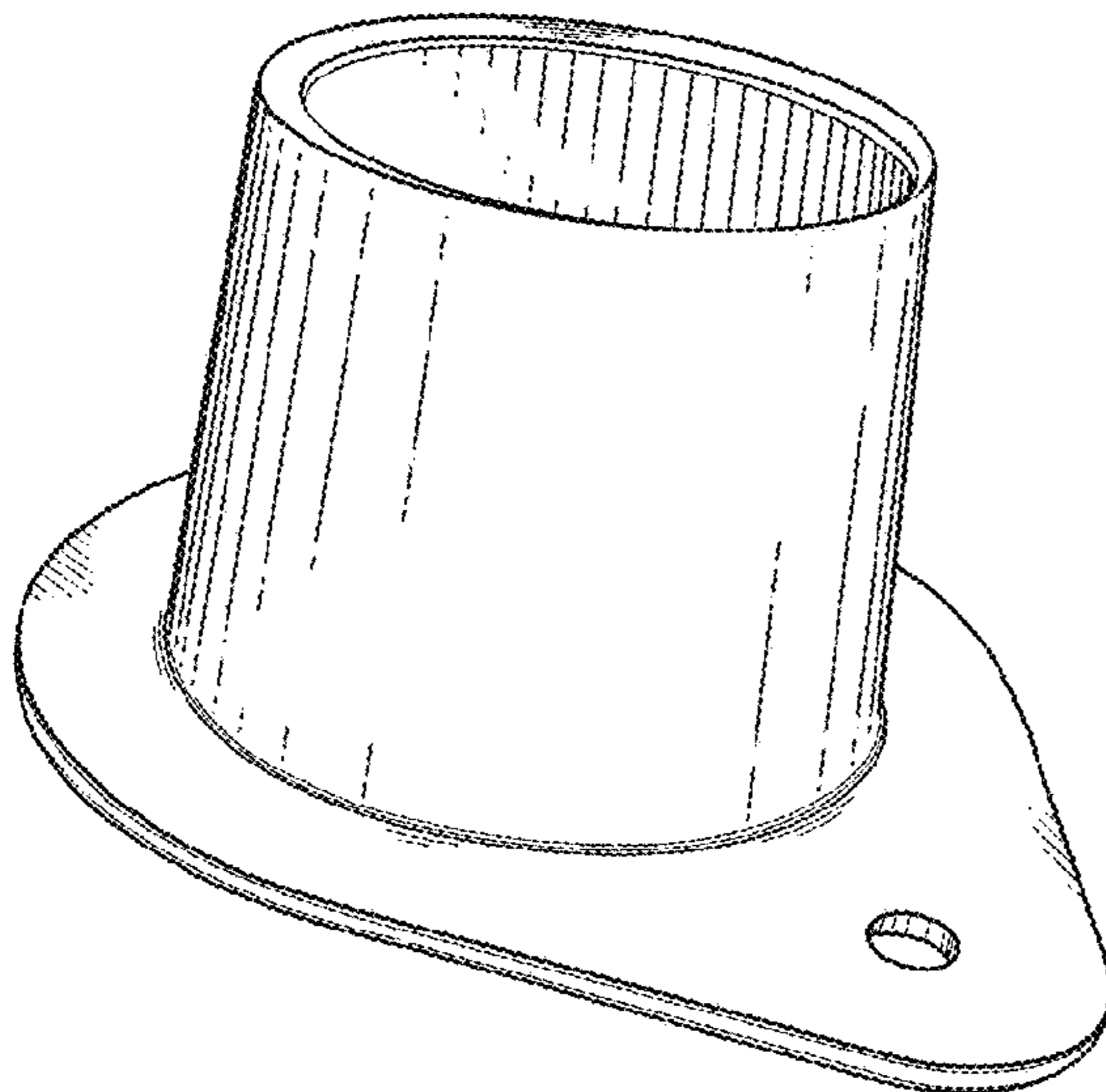
(57) **CLAIM**

We claim the ornamental design for the soccer tee, as shown and described.

**DESCRIPTION**

FIG. 1 is a top perspective view of a first embodiment of a soccer tee showing our new design;  
 FIG. 2 is a bottom perspective view thereof;  
 FIG. 3 is a side elevation thereof;  
 FIG. 4 is a top plan view thereof;  
 FIG. 5 is a bottom plan view thereof;  
 FIG. 6 is a front elevation thereof;  
 FIG. 7 is a back elevation thereof;  
 FIG. 8 is a top perspective view of a second embodiment of the soccer tee;  
 FIG. 9 is a bottom perspective view thereof;  
 FIG. 10 is a side elevation thereof;  
 FIG. 11 is a top plan view thereof;  
 FIG. 12 is a bottom plan view thereof;  
 FIG. 13 is a front elevation thereof; and,  
 FIG. 14 is a back elevation thereof.

**1 Claim, 8 Drawing Sheets**



(56)

**References Cited**

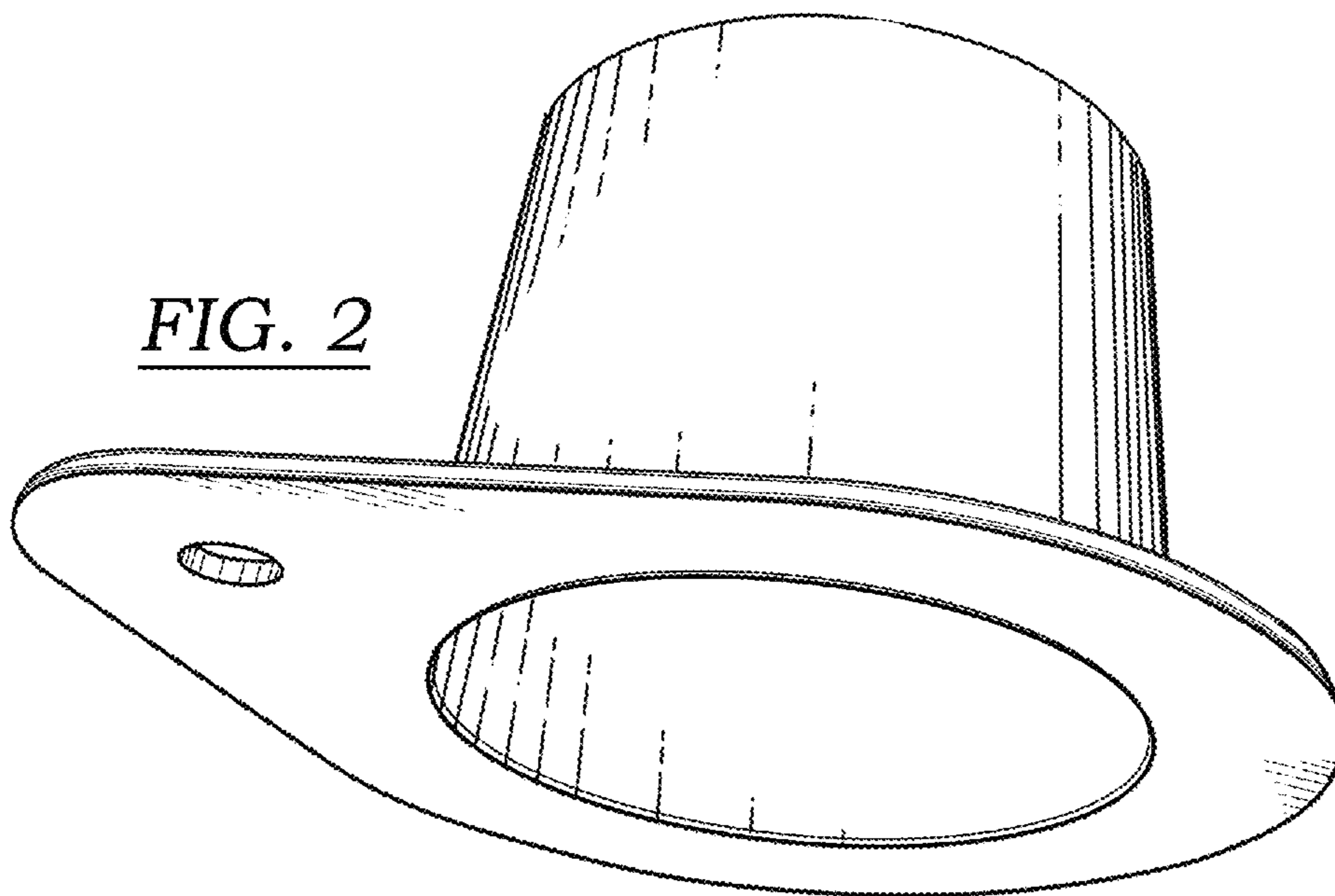
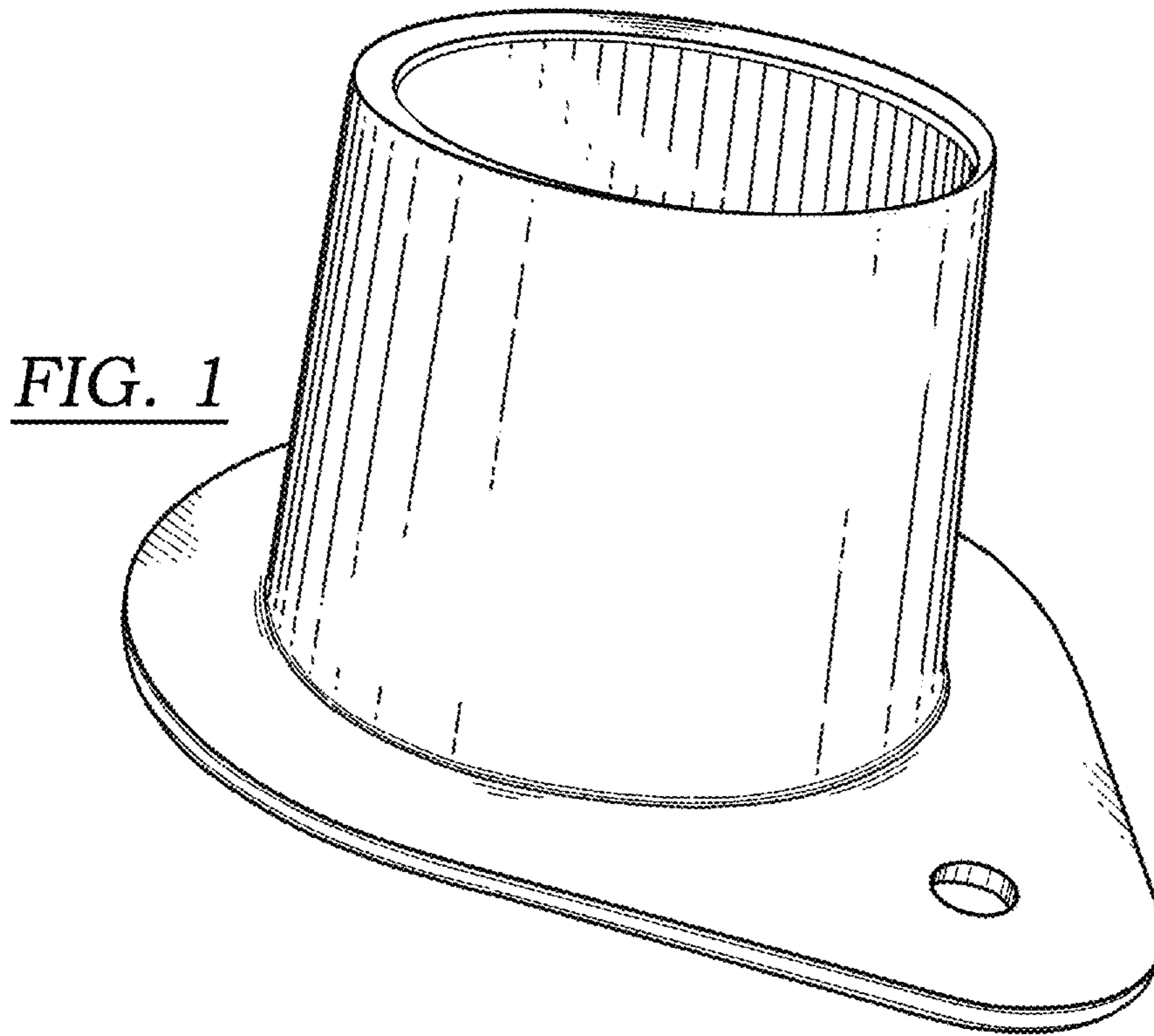
U.S. PATENT DOCUMENTS

D232,568 S \* 8/1974 Brown ..... D21/717  
D266,860 S \* 11/1982 Nelson ..... D21/717  
D349,318 S \* 8/1994 Rubin ..... D21/718  
5,413,348 A \* 5/1995 Basso ..... A63B 57/10  
473/393  
D461,216 S \* 8/2002 Luther, Sr. .... D21/717  
D740,898 S \* 10/2015 Westrom ..... D21/717  
2003/0228942 A1 \* 12/2003 Hsieh ..... A63B 69/002  
473/446  
2004/0097304 A1 \* 5/2004 Sharp ..... A63B 69/0075  
473/420  
2006/0035728 A1 \* 2/2006 Chang ..... A63B 57/10  
473/387

FOREIGN PATENT DOCUMENTS

GB 191118540 A \* 0/1912 ..... A63B 57/12  
GB 379917 A \* 9/1932 ..... A63B 57/10  
JP WO 9014867 A1 \* 12/1990 ..... A63B 57/10  
WO WO 2016018452 A1 \* 2/2016 ..... A63B 69/002

\* cited by examiner



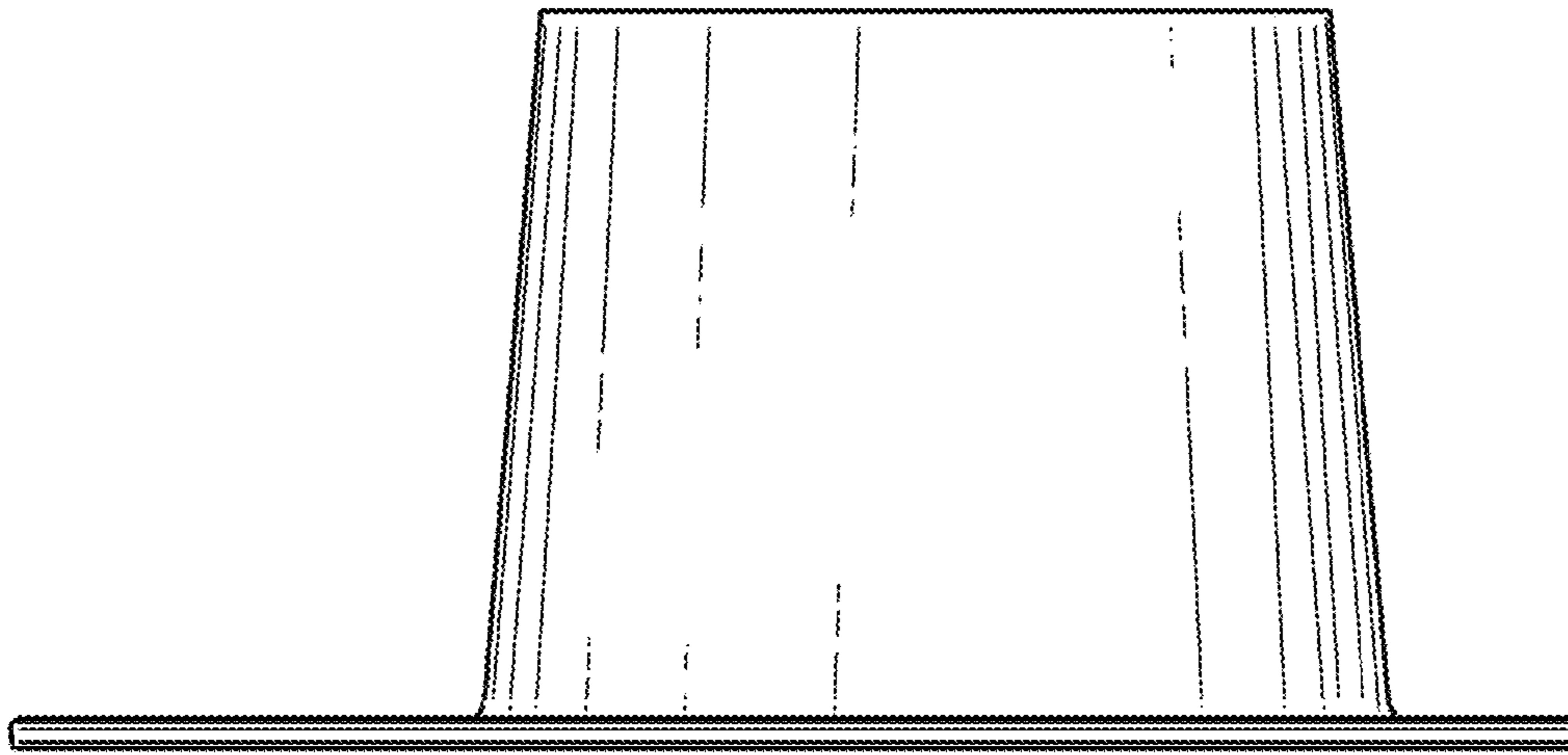


FIG. 3

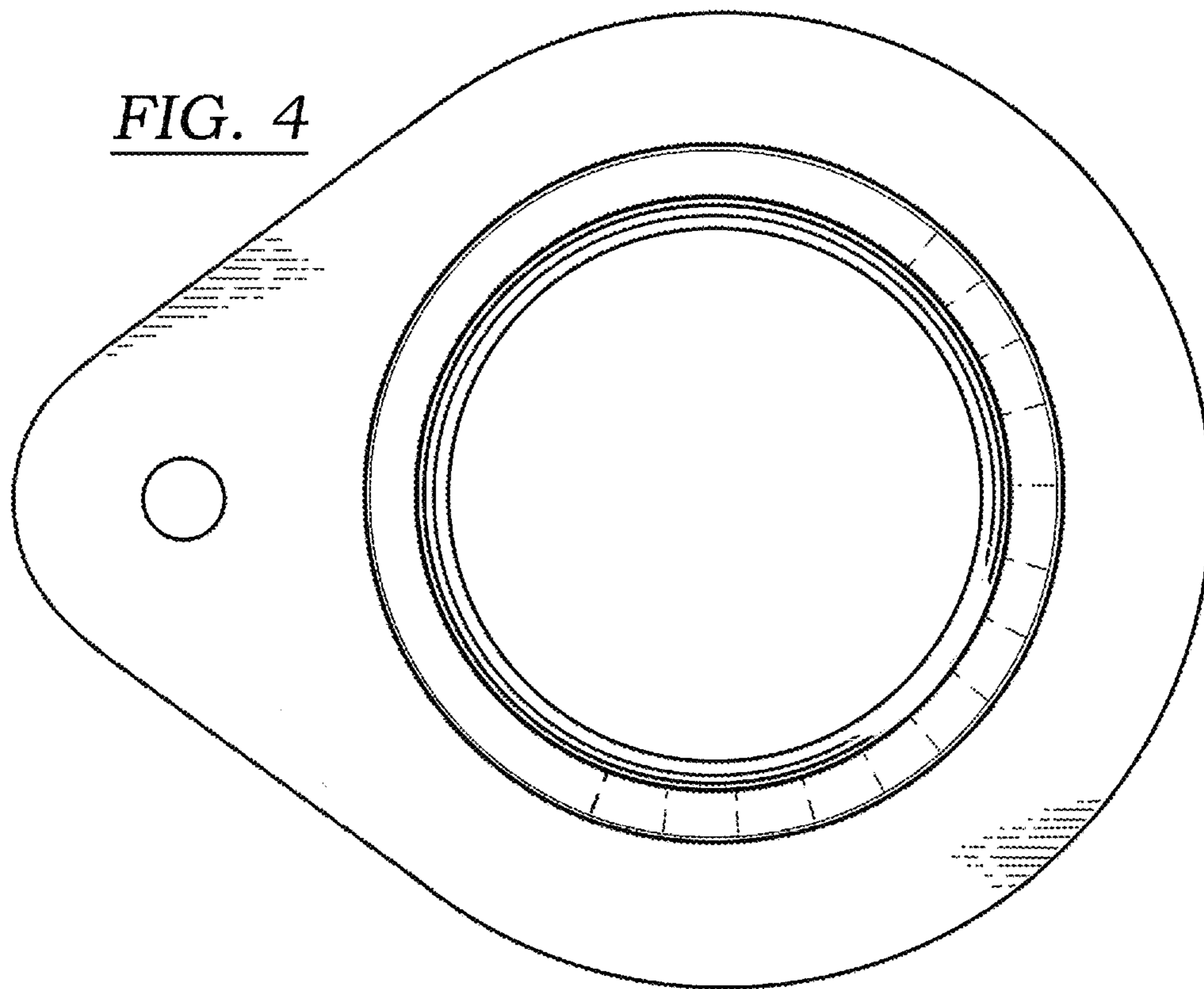


FIG. 4

FIG. 5

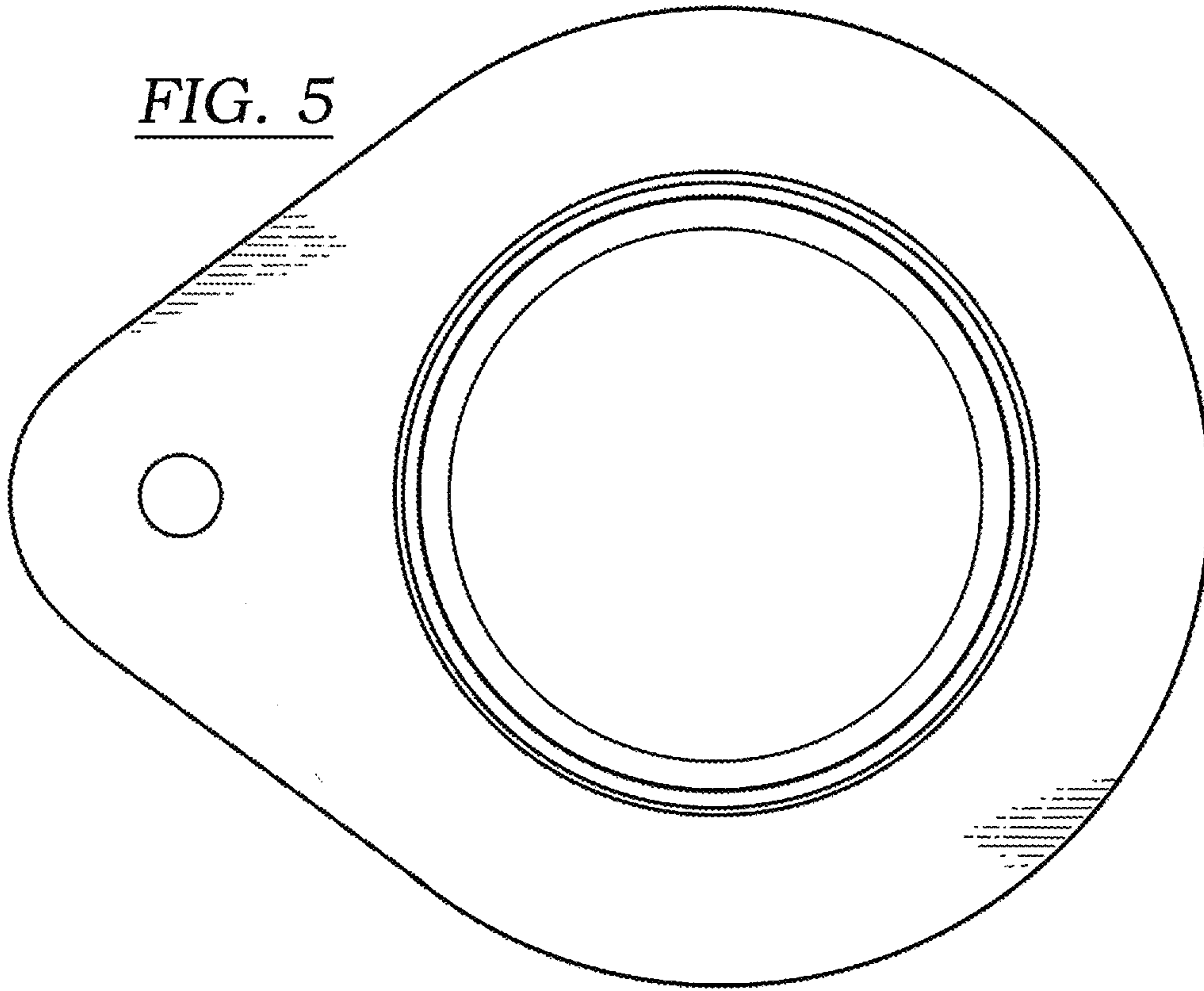
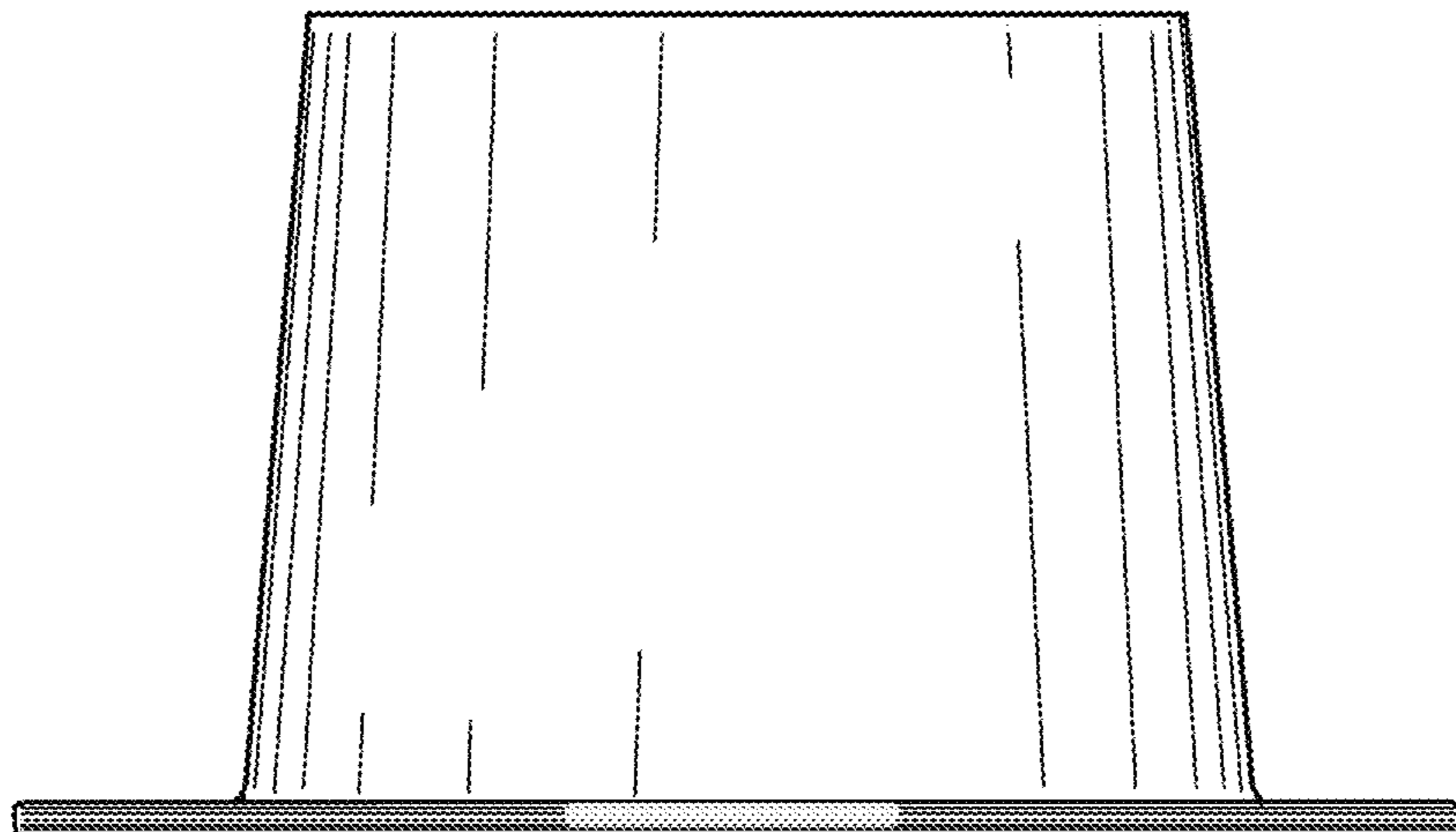


FIG. 6



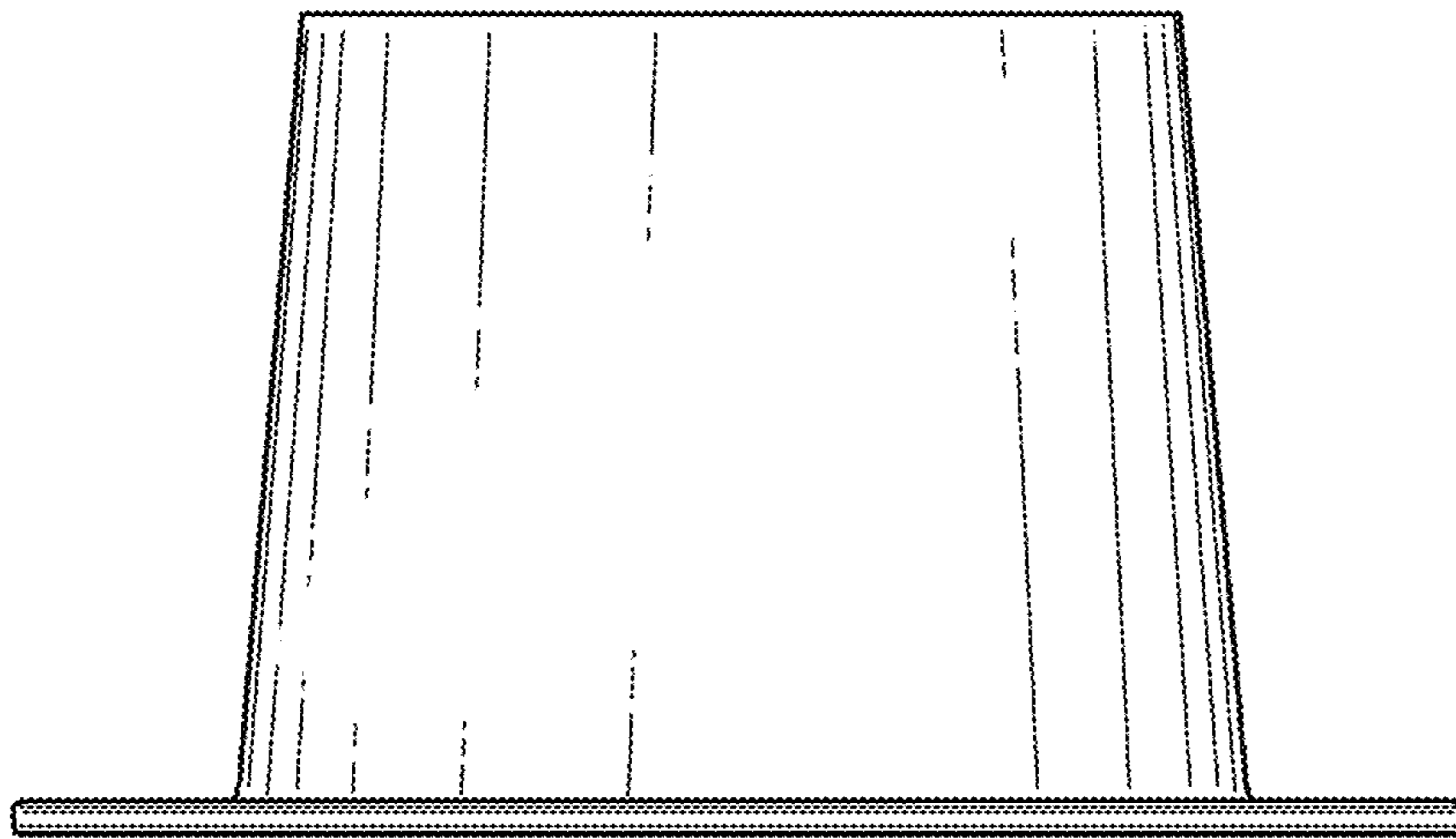


FIG. 7

FIG. 8

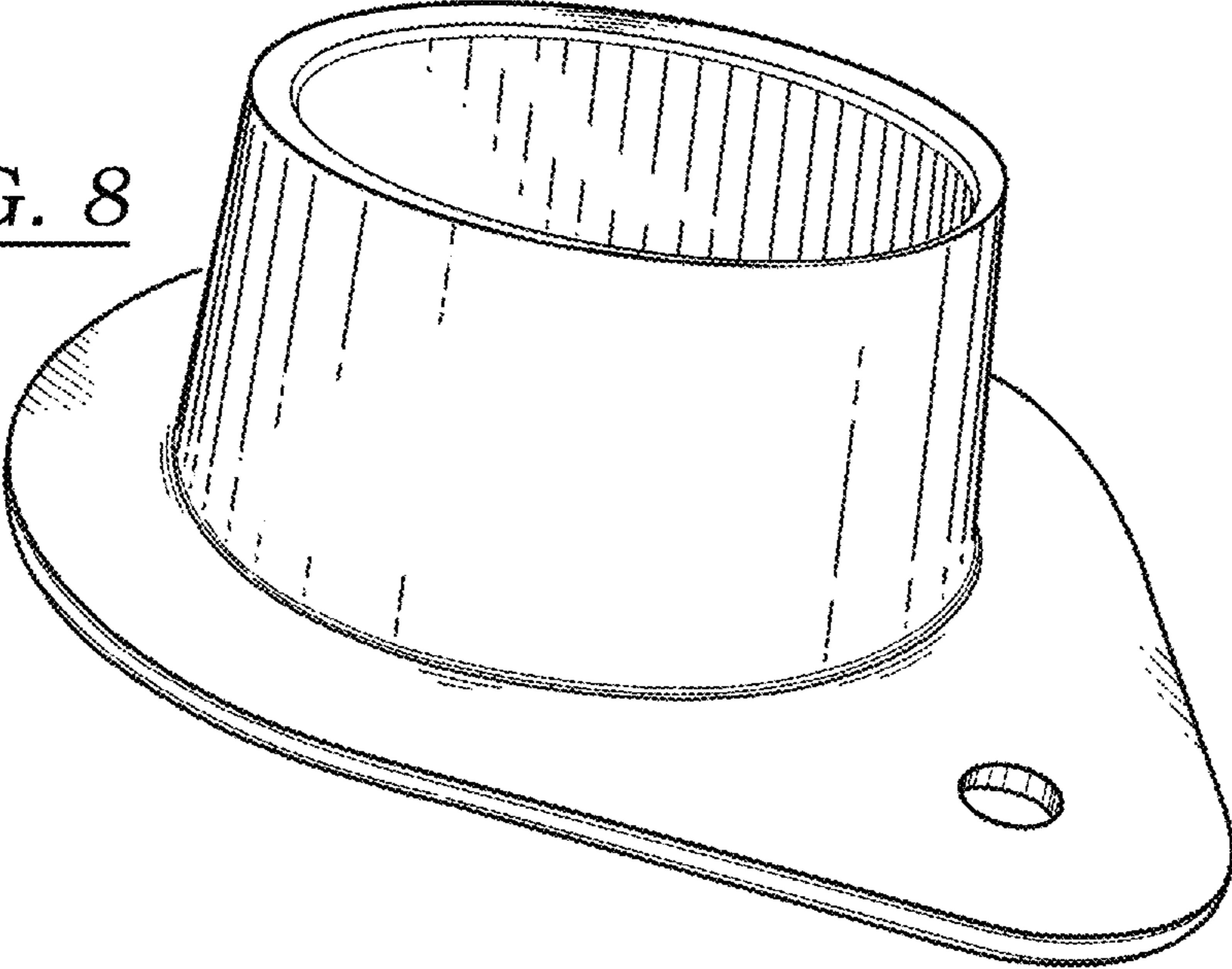
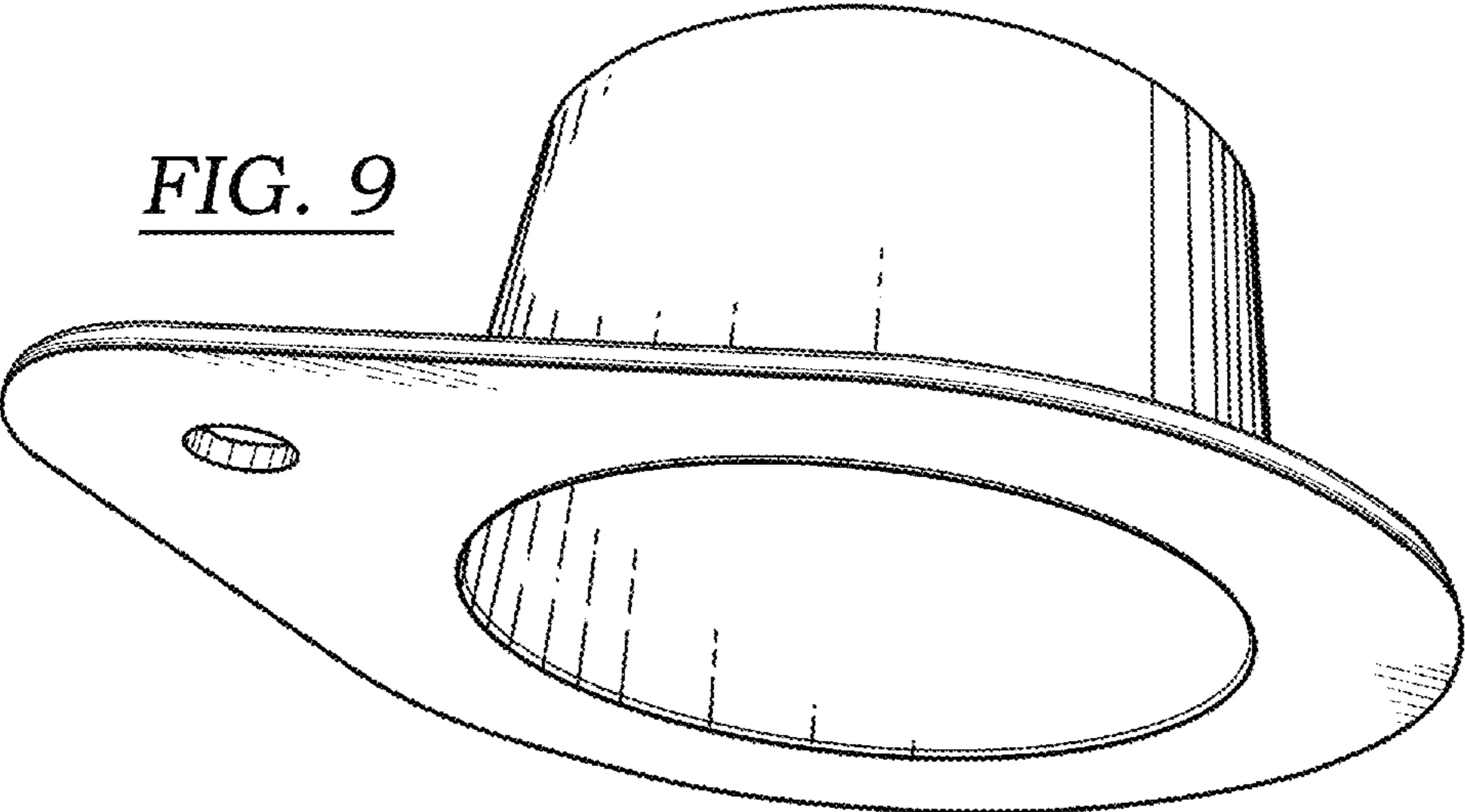


FIG. 9



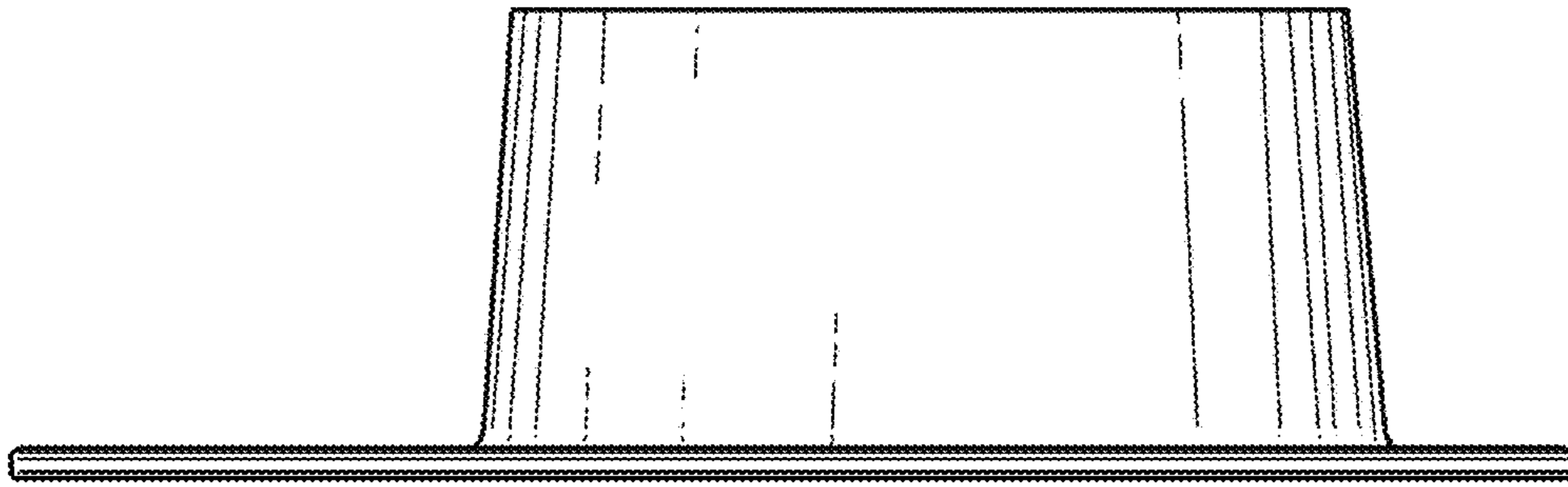


FIG. 10

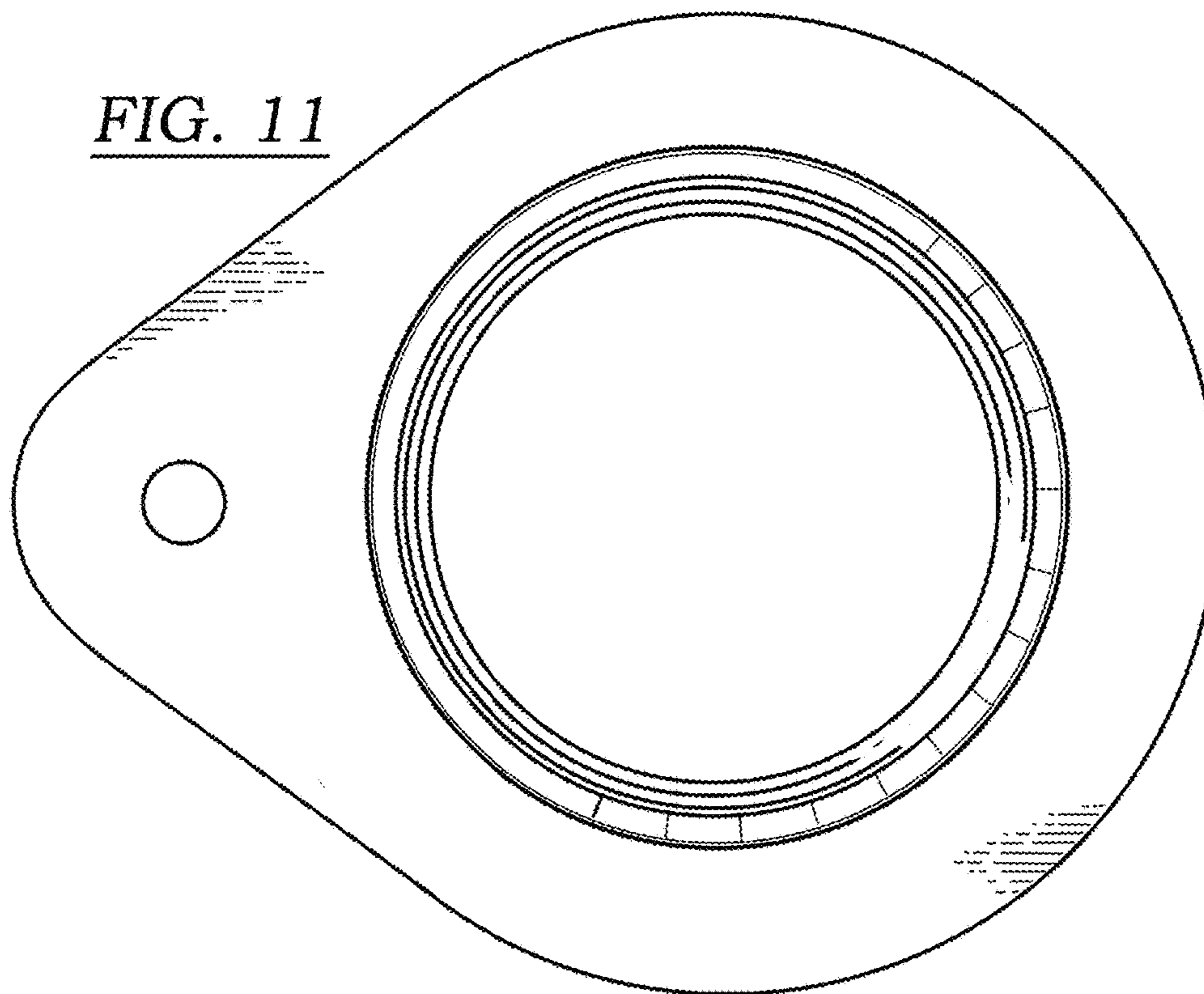


FIG. 11



FIG. 12

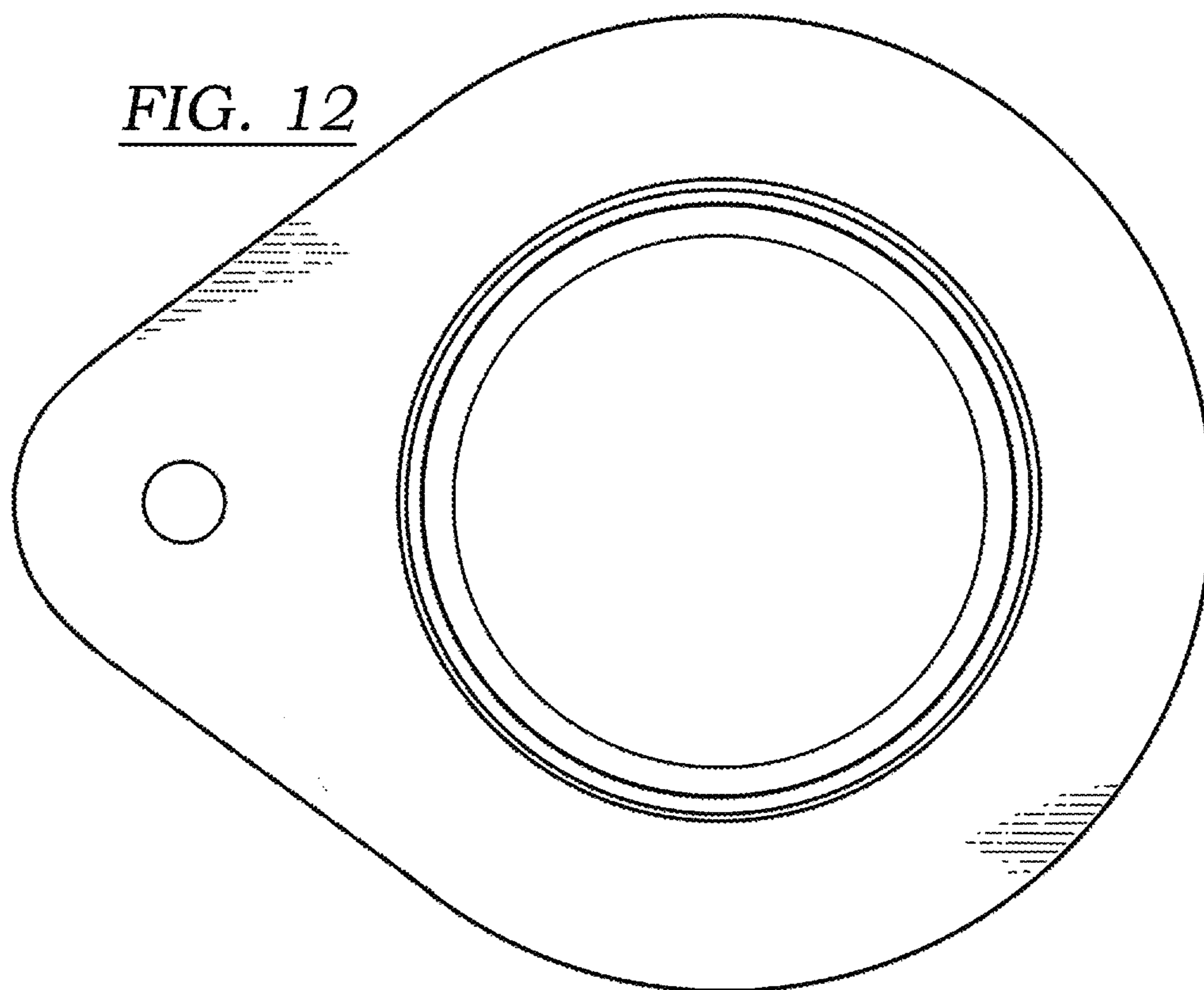
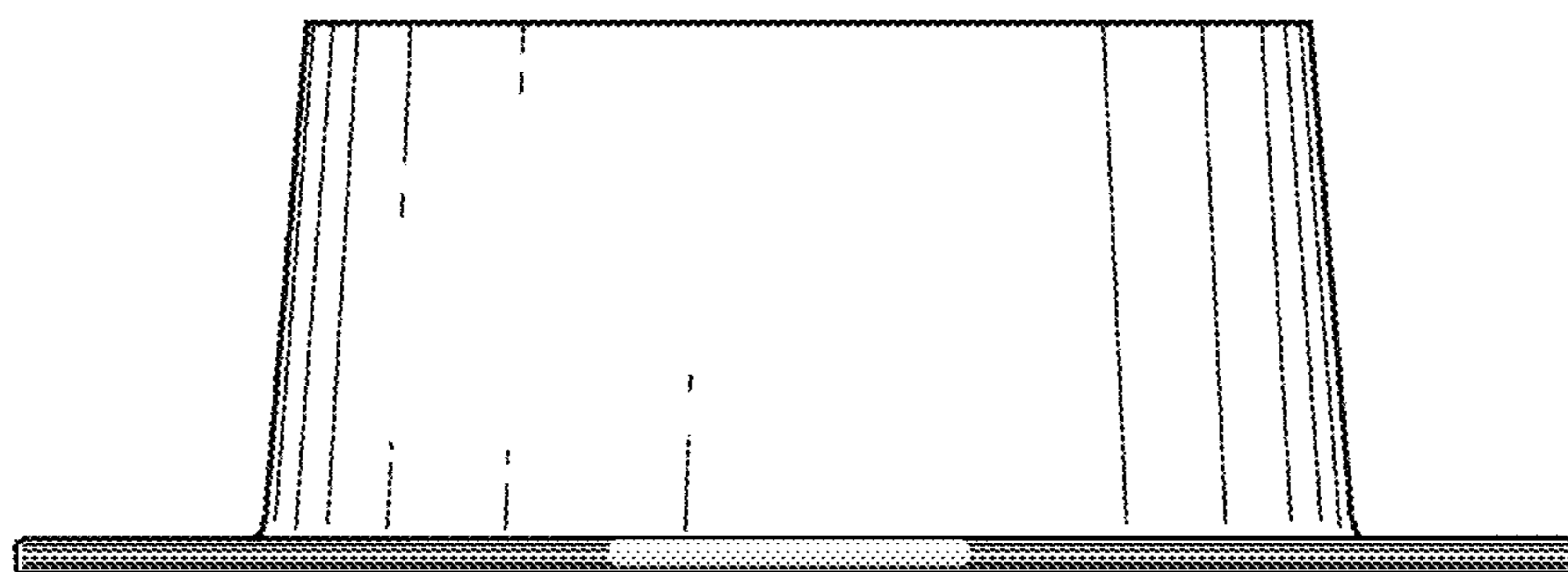


FIG. 13



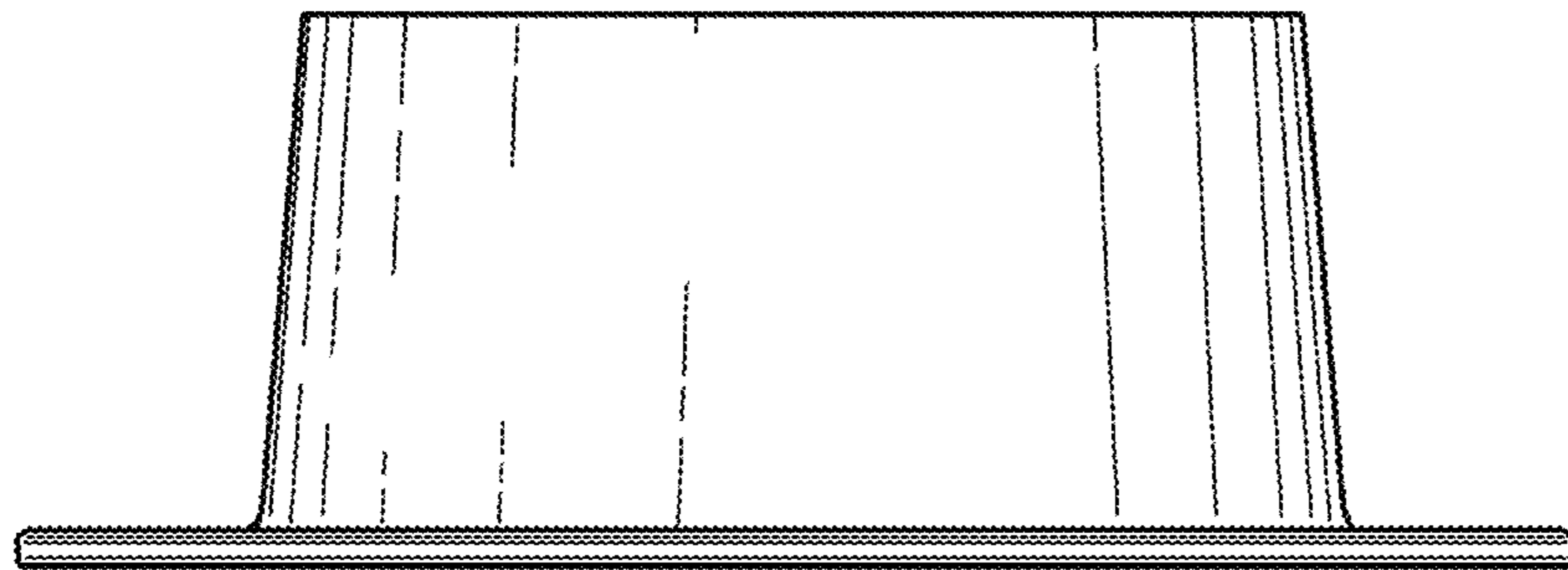


FIG. 14