



US00D778374S

(12) **United States Design Patent** (10) **Patent No.:** **US D778,374 S**
Jaquish et al. (45) **Date of Patent:** **** Feb. 7, 2017**

(54) **EXERCISE PLATFORM WITH BAR CONFIGURED FOR USE WITH RESISTANCE BANDS** 21/4047; A63B 2208/0233; A63B 21/0552; A63B 22/0056
See application file for complete search history.

(71) Applicant: **Jaquish Industrial Research LLC**, Nevada City, CA (US)
(72) Inventors: **John Paul Jaquish**, Nevada City, CA (US); **Paul Edward Jaquish**, Nevada City, CA (US)
(73) Assignee: **Jaquish Industrial Research LLC**, Nevada City, CA (US)

(56) **References Cited**
U.S. PATENT DOCUMENTS
1,019,861 A * 3/1912 Titus A63B 21/0552 482/123
3,193,288 A 7/1965 De Spain
4,200,281 A 4/1980 Wang
4,257,592 A 3/1981 Jones
4,441,707 A 4/1984 Bosch
(Continued)

(**) Term: **14 Years**

Primary Examiner — Robert M Spear
Assistant Examiner — Ryan Harvey
(74) *Attorney, Agent, or Firm* — Brett A. Lovejoy; Morgan, Lewis & Bockius, LLP

(21) Appl. No.: **29/515,595**
(22) Filed: **Jan. 23, 2015**
(51) **LOC (10) Cl.** **21-02**
(52) **U.S. Cl.**
USPC **D21/686**

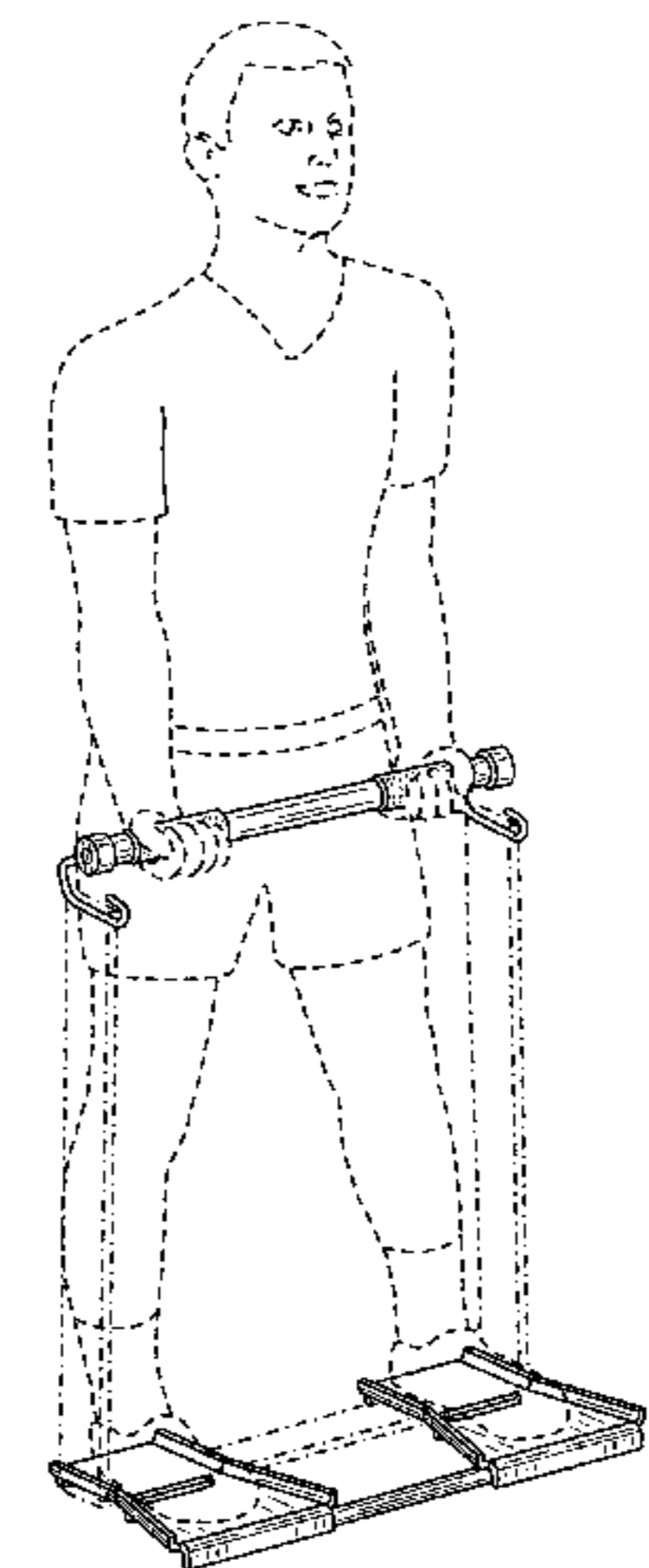
(57) **CLAIM**
The ornamental design for an exercise platform with bar configured for use with resistance bands, as shown and described.

(58) **Field of Classification Search**
USPC D21/797, 694, 671, 686, 698, 699, 680, D21/685, 692, 687, 689, 318, 688, 412, D21/333, 683, 798; D8/330, 1, 16; 482/142, 52, 51, 30, 74, 91, 140, 25, 94, 482/122; D19/37, 64, 59; D9/624, 629; D14/417, 496; 15/104.93, 105, 118, 15/229.11, 208; D25/139, 155, 62, D25/65; D6/349, 582, 598, 335, 350, 583, D6/588, 585; 99/472, 467; D34/23, 1; 297/461, 223, 423.41; 269/289 R, 13, 15, 269/14; 206/501, 256, 272.8, 308.2, 330, 206/60, 213; 248/678; D7/698, 699, 629, D7/388; 220/4.26; 217/3 R; D24/190, D24/191, 192, 167; D17/99; D3/294, D3/282, 905; D30/118; 182/33; D99/17, D99/1; 451/534, 539; 446/117, 69; 473/278
CPC A63B 22/001; A63B 22/0664; A63B 23/0211; A63B 21/225; A63B 2022/067; A63B 21/4035; A63B 2210/50; A63B 22/0015; A63B 2208/0204; A63B

DESCRIPTION

FIG. 1 is a first front perspective view of our new design of an exercise platform with bar configured for use with resistance bands;
FIG. 2 is a second front perspective view of our new design of an exercise platform with bar configured for use with resistance bands;
FIG. 3 is a front view of the design of FIG. 2;
FIG. 4 is a rear view of the design of FIG. 2;
FIG. 5 is a side view of the design of FIG. 2;
FIG. 6 is a top view of the design of FIG. 2; and
FIG. 7 is a bottom view of the design of FIG. 2.
In the drawings, the evenly-spaced broken line showing of a person and dash-dot-dash line showing of a resistance band depict environment and form no part of the claimed design.

1 Claim, 6 Drawing Sheets



(56)

References Cited

U.S. PATENT DOCUMENTS

5,178,596 A *	1/1993	McIntire	A63B 21/0552	482/122	5,776,041 A	7/1998	Fisher	
5,197,934 A *	3/1993	Wirtz	A63B 21/023	482/123	5,885,196 A	3/1999	Gvoich	
D353,419 S *	12/1994	Sprague	D21/686		6,203,476 B1	3/2001	Wang et al.	
5,514,058 A	5/1996	Buoni				6,280,366 B1 *	8/2001	Hsieh A63B 22/0012
5,540,642 A *	7/1996	Sprague	A63B 23/03533	482/123				482/130
5,653,665 A	8/1997	Neeley				D474,818 S *	5/2003	Yu D21/662
5,746,687 A	5/1998	Vial				D482,748 S *	11/2003	Flynt D21/662
5,178,596 A *	1/1993	McIntire	A63B 21/0552	482/122	7,052,449 B2 *	5/2006	Chen A63B 21/0004
5,197,934 A *	3/1993	Wirtz	A63B 21/023	482/123				482/142
D353,419 S *	12/1994	Sprague	D21/686		7,175,574 B2	2/2007	Carmel et al.	
5,514,058 A	5/1996	Buoni				7,387,599 B1	6/2008	Hsu	
5,540,642 A *	7/1996	Sprague	A63B 23/03533	482/123	D590,457 S *	4/2009	Mishan D21/686
5,653,665 A	8/1997	Neeley				7,578,775 B2	8/2009	Terry	
5,746,687 A	5/1998	Vial				7,601,101 B2 *	10/2009	Jackson A63B 21/04
									482/142
						D604,374 S *	11/2009	Bizzell D21/688
						7,922,624 B1 *	4/2011	Fairhurst A63B 21/0552
									482/52
						D682,374 S *	5/2013	Wilkinson D21/686
						D724,163 S *	3/2015	Kelley D21/694
						2002/0137609 A1	9/2002	Rosati	
						2007/0207905 A1	9/2007	Winston	

* cited by examiner

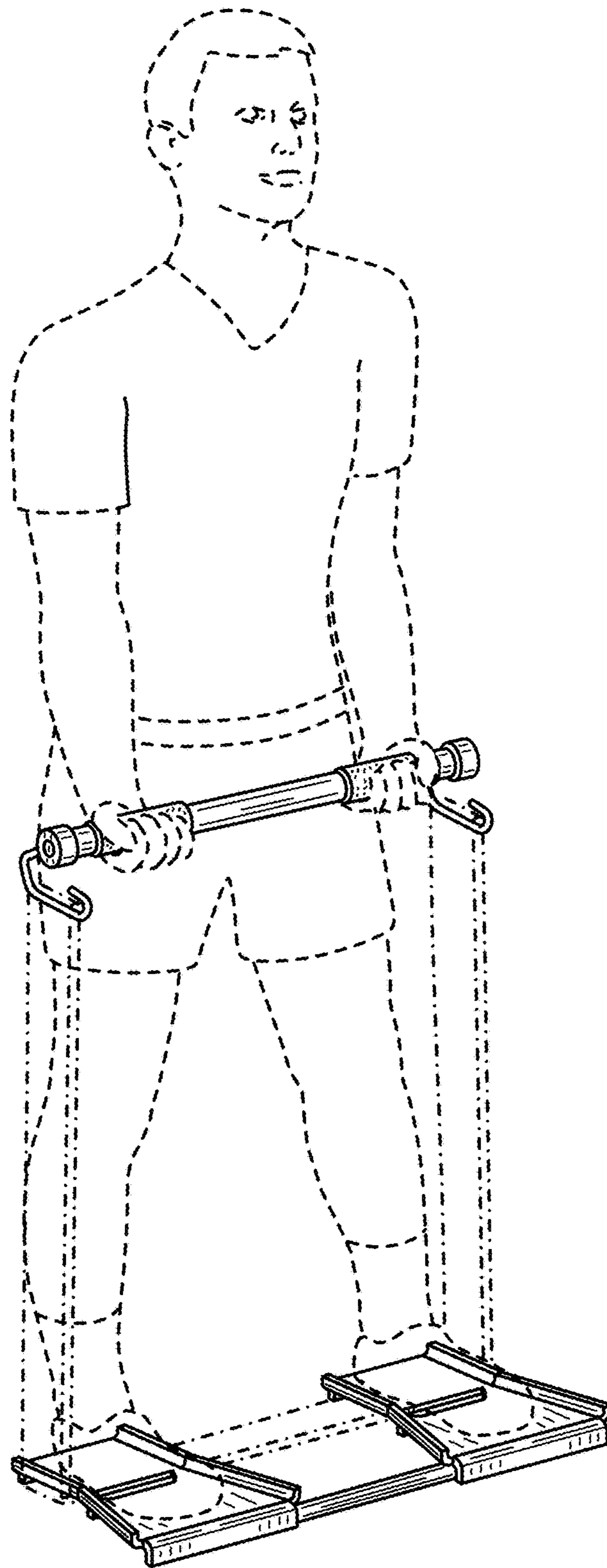


FIG. 1

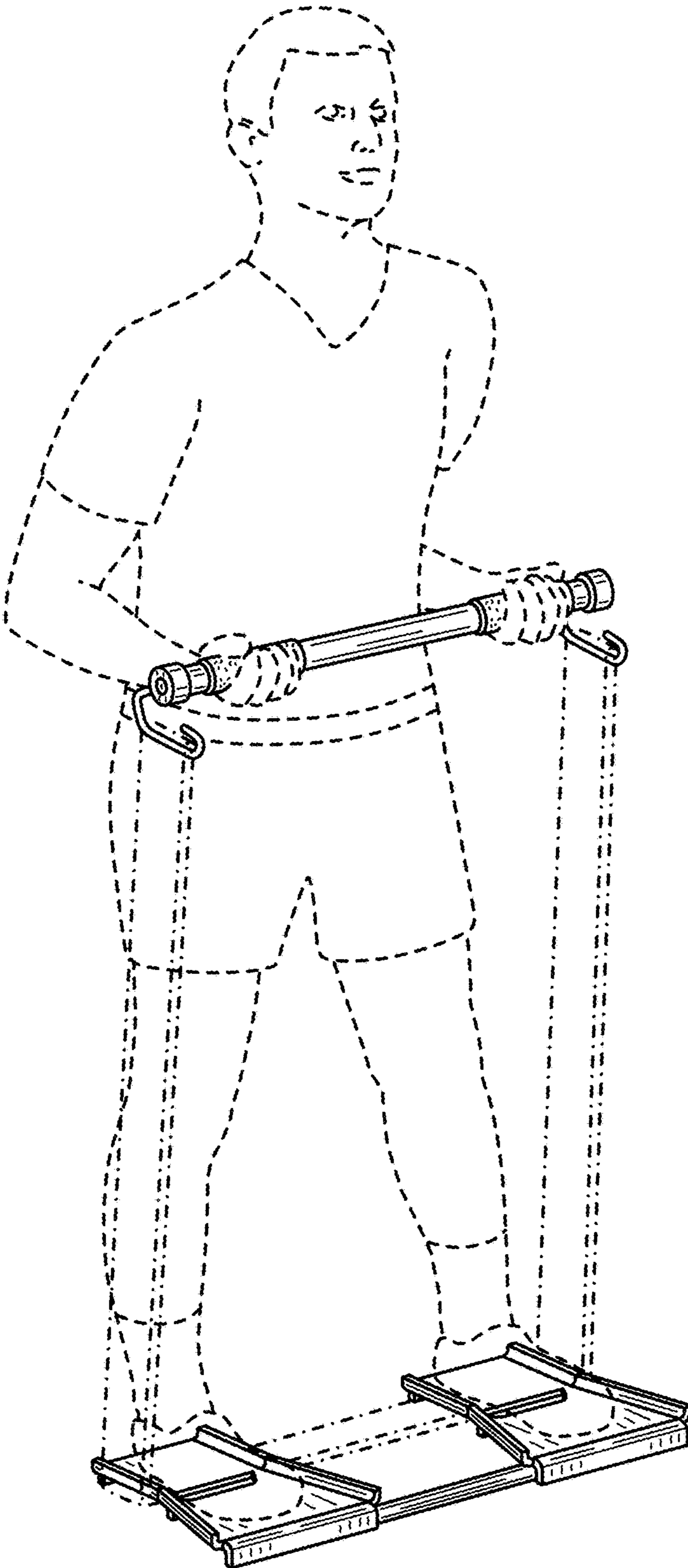


FIG. 2

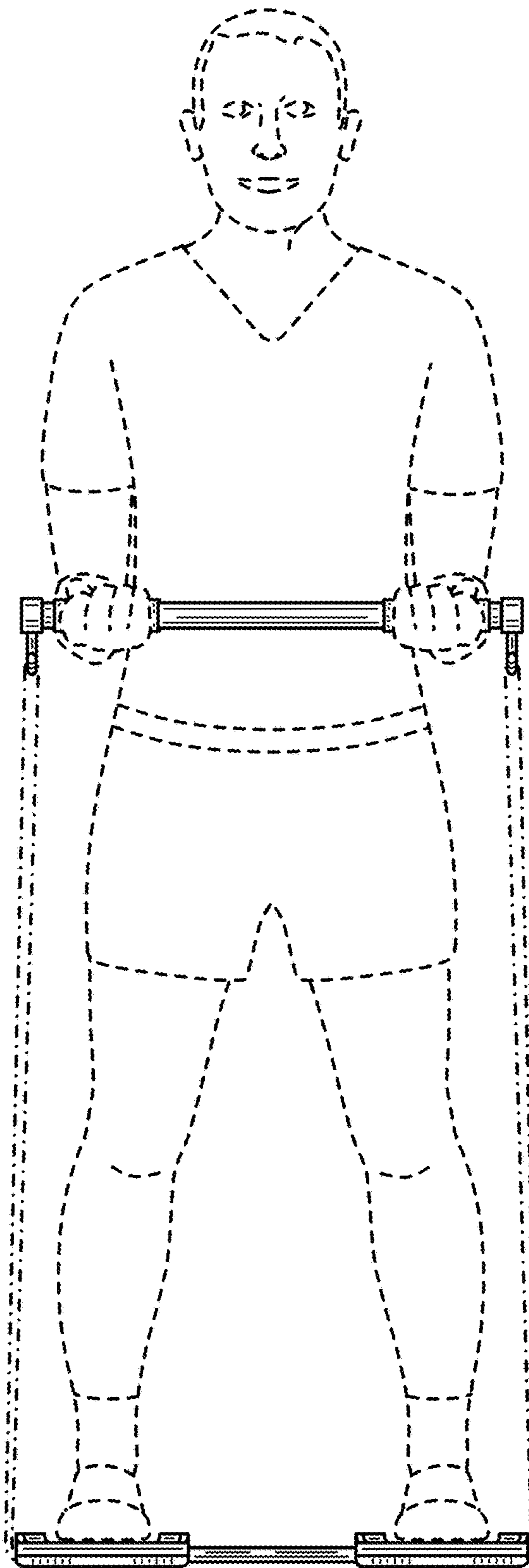


FIG. 3

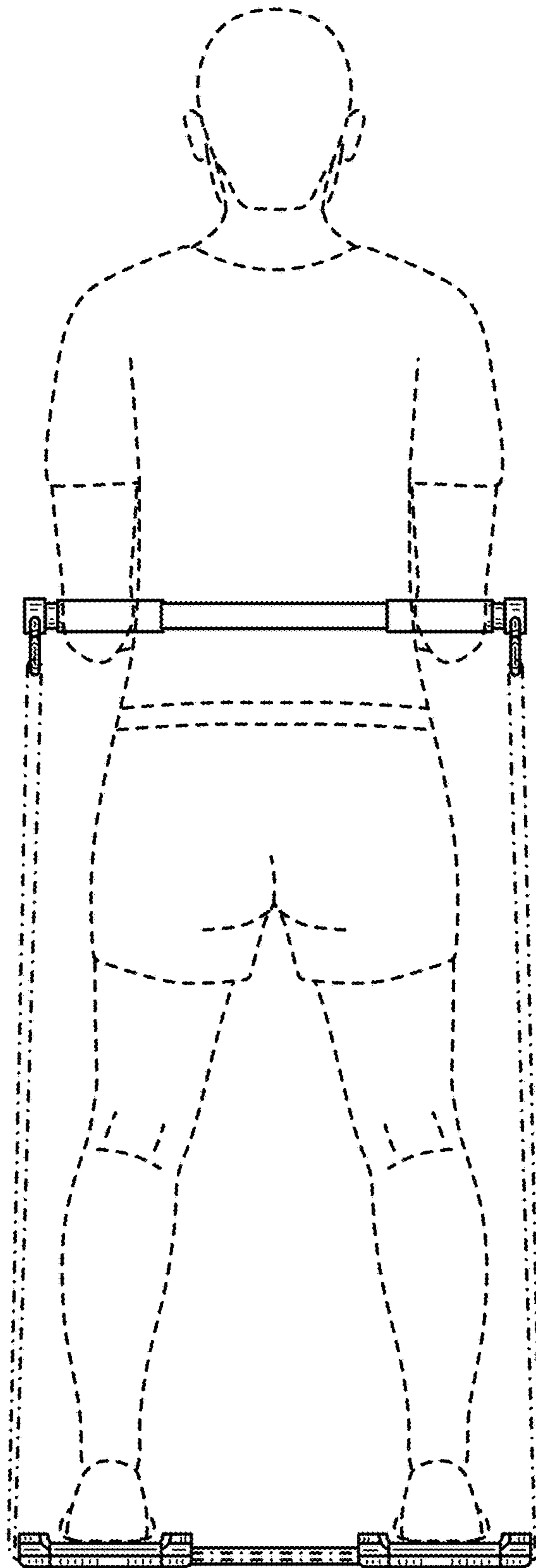


FIG. 4

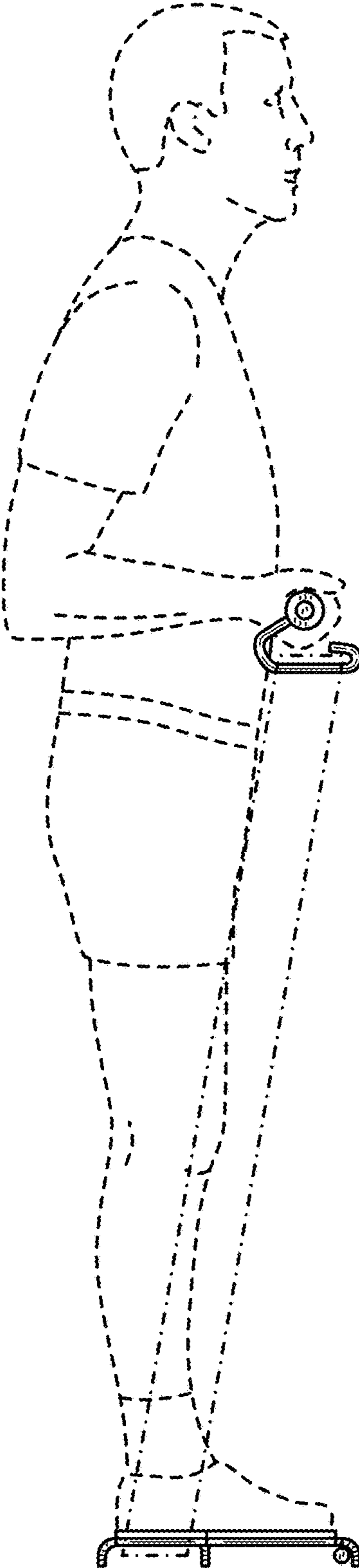


FIG. 5

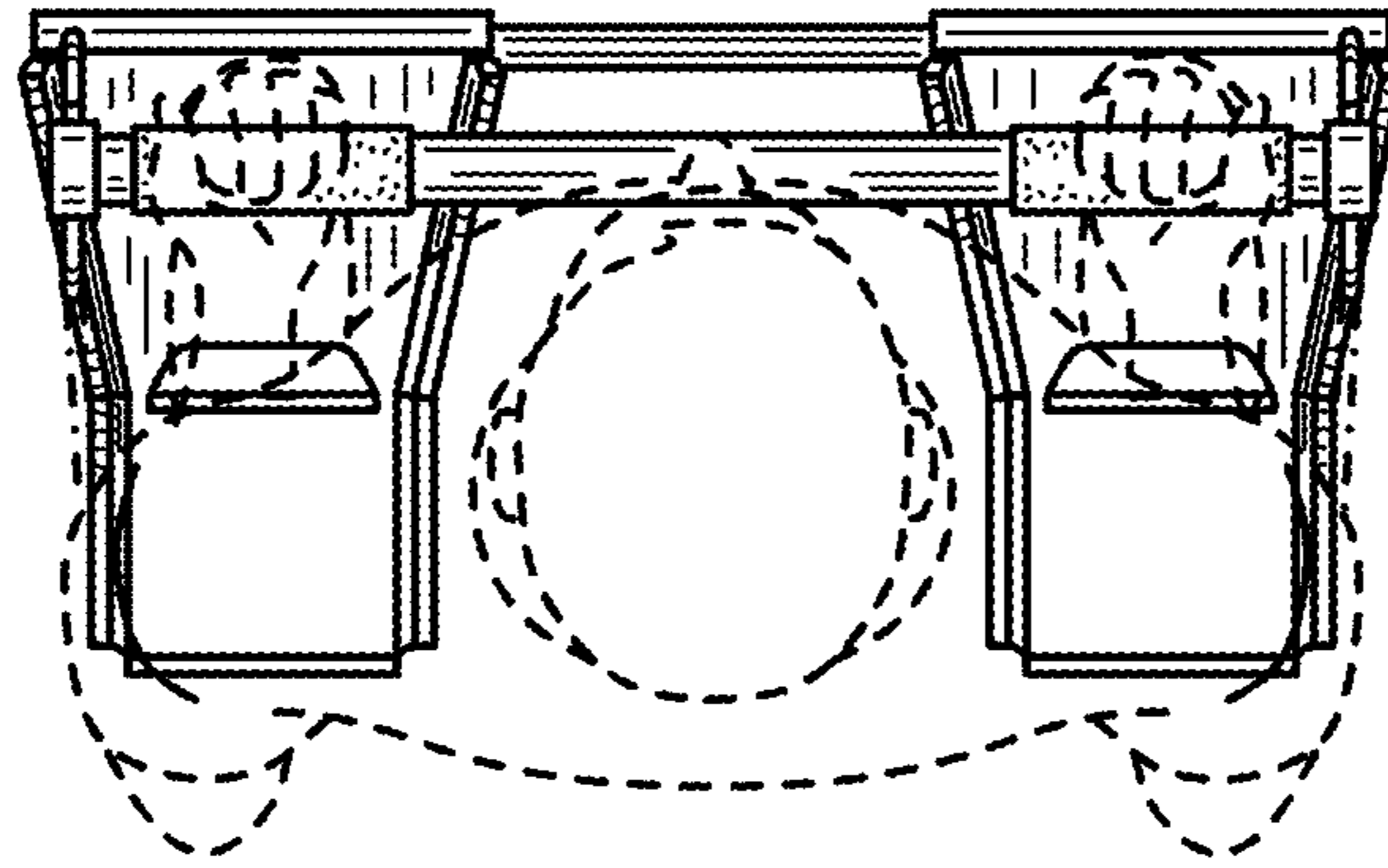


FIG. 6

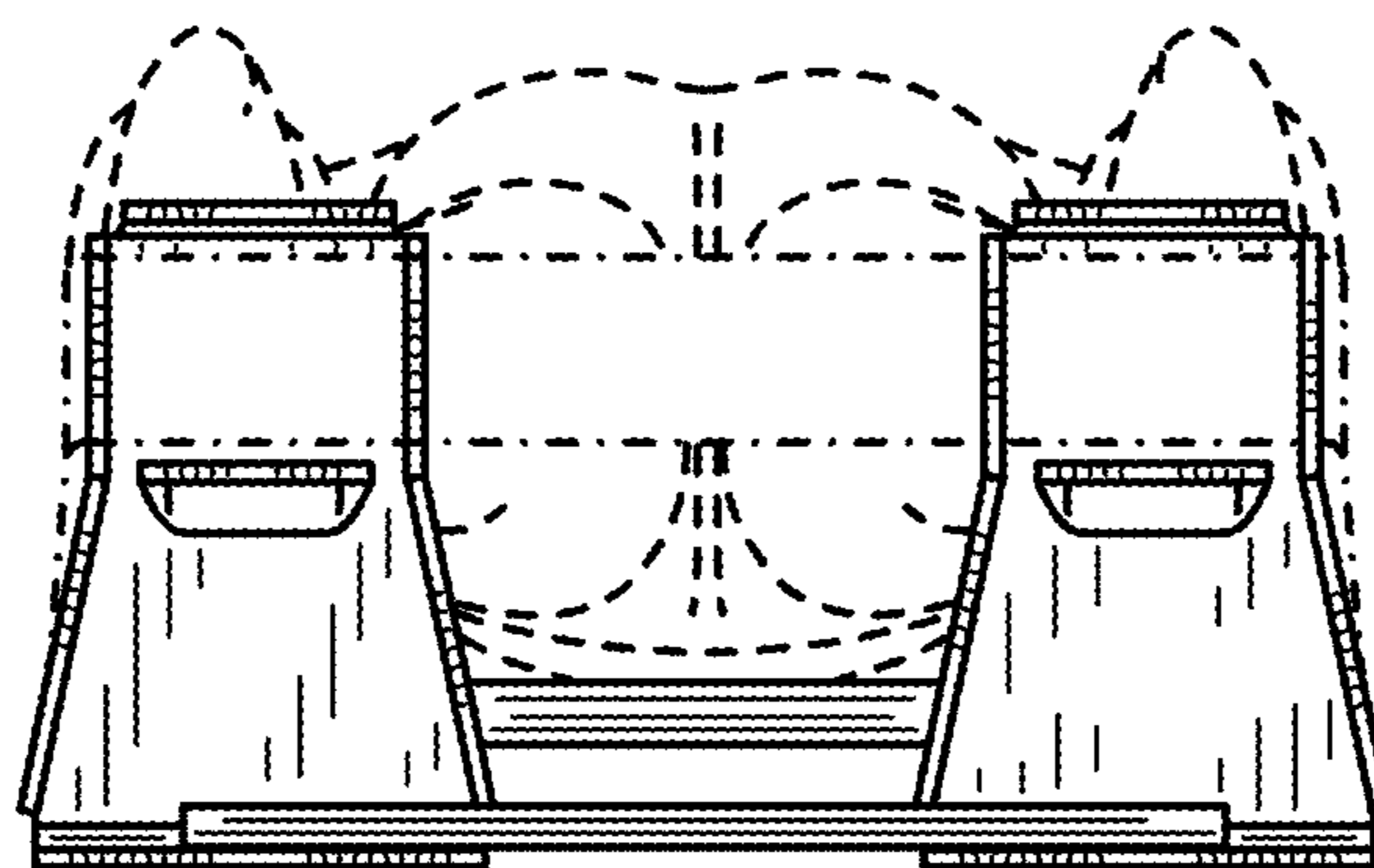


FIG. 7