



US00D778372S

(12) **United States Design Patent**
Cummings

(10) **Patent No.:** **US D778,372 S**

(45) **Date of Patent:** **** Feb. 7, 2017**

(54) **POSABLE TOY CHARACTER WITH STRAIGHT LIMBS**

(71) Applicant: **KMA Concepts Limited**, Tsim Sha Tsui, Kowloon (HK)

(72) Inventor: **Peter John Cummings**, Kowloon (HK)

(73) Assignee: **KMA Concepts Limited**, Tsim Sha Tsui, Kowloon (HK)

(**) Term: **15 Years**

(21) Appl. No.: **29/531,608**

(22) Filed: **Jun. 26, 2015**

Related U.S. Application Data

(63) Continuation-in-part of application No. 29/526,317, filed on May 8, 2015, now Pat. No. Des. 760,851, which is a continuation-in-part of application No. 14/658,124, filed on Mar. 13, 2015.

(30) **Foreign Application Priority Data**

Jan. 16, 2015 (CN) 2015 2 0030232

(51) **LOC (10) Cl.** **21-01**

(52) **U.S. Cl.**
USPC **D21/578**

(58) **Field of Classification Search**

USPC D21/578-583, 621, 622; 446/268-274, 446/279, 280, 285, 289-292, 294, 446/297-303, 353-355, 376-384; D15/199; 318/568.11, 318/568.12, 568.2

CPC B25J 9/00

See application file for complete search history.

(56) **References Cited**

U.S. PATENT DOCUMENTS

D204,394 S *	4/1966	Wendt	D21/578
D312,283 S *	11/1990	Fenton	D21/580
D389,203 S *	1/1998	Glickman	D21/578
D474,514 S *	5/2003	Price	D21/594
D536,044 S *	1/2007	Ban	D21/578
D593,164 S *	5/2009	Sonoda	D21/578
D639,354 S *	6/2011	Weeks	
D739,480 S *	9/2015	Hernandez Ortega	D15/199

* cited by examiner

Primary Examiner — Zenia Bennett

(74) *Attorney, Agent, or Firm* — LaMorte & Associates, P.C.

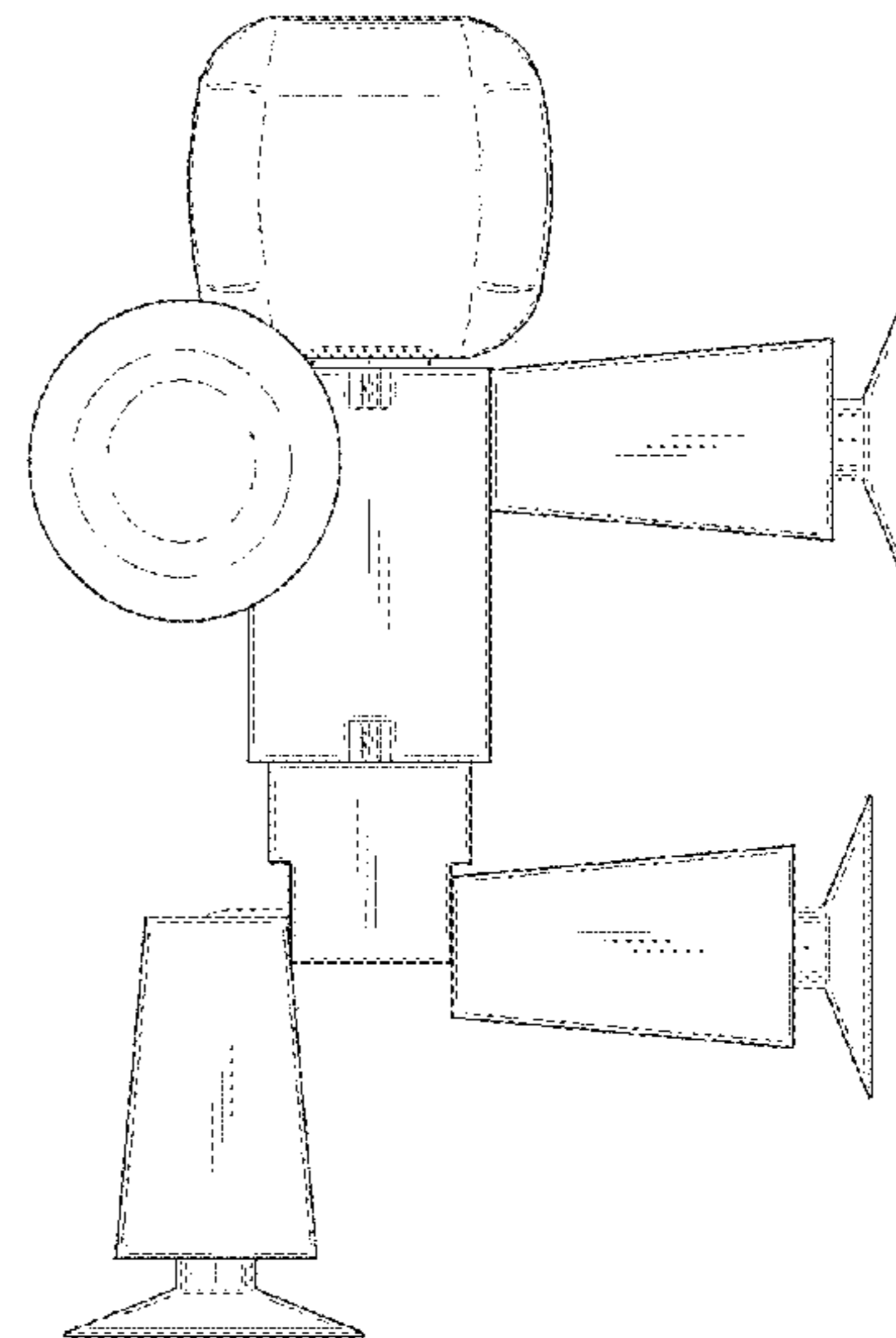
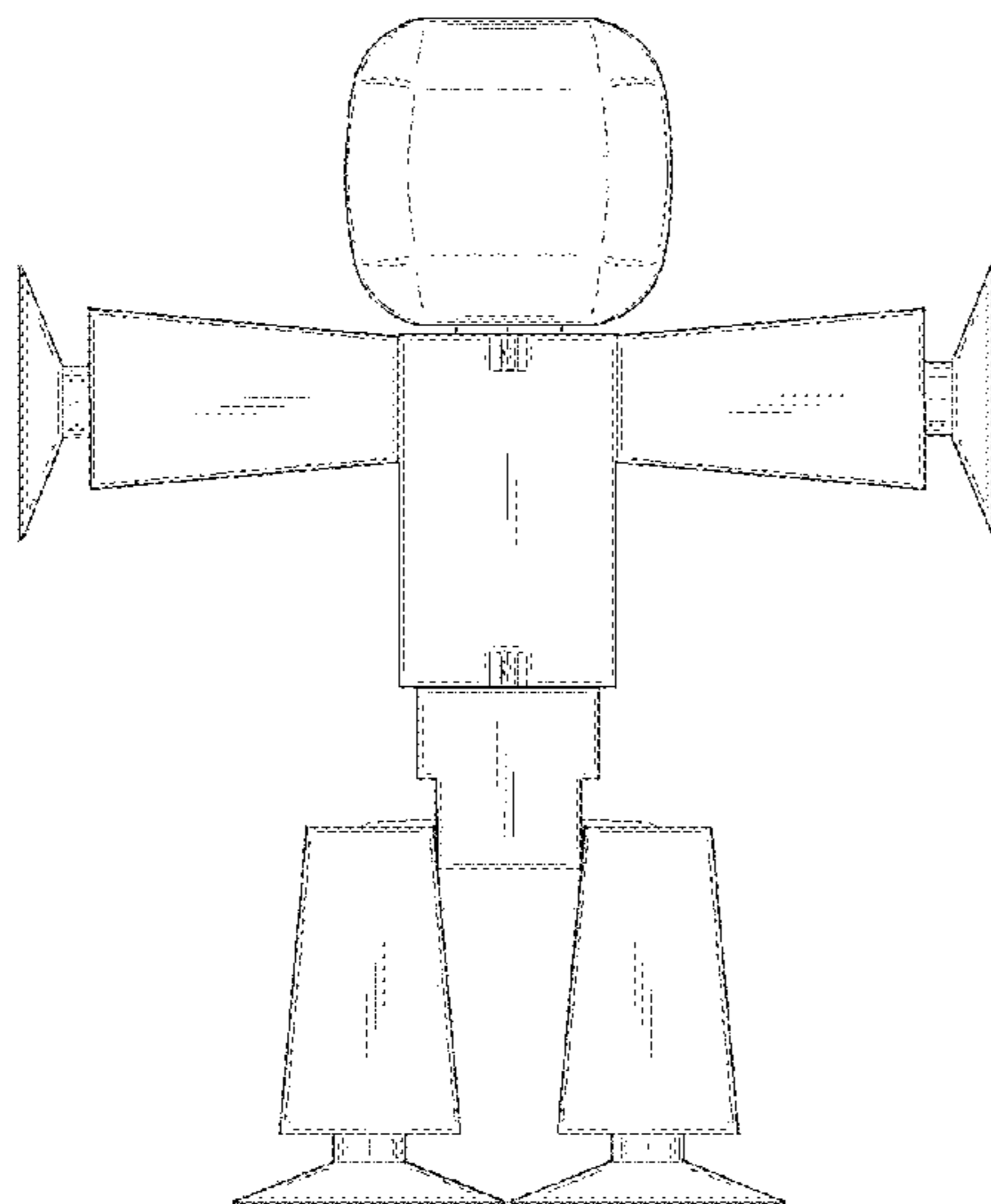
(57) **CLAIM**

The ornamental design for a posable toy character with straight limbs, as shown and described.

DESCRIPTION

FIG. 1 is a perspective view of a posable toy character with straight limbs in a first pose; FIG. 2 is a front view thereof, the rear view being the same; FIG. 3 is a right side view thereof, the left side view being the same; FIG. 4 is a top view thereof; FIG. 5 is a bottom view thereof; and, FIG. 6 is a front view of the posable toy character in a second pose.

1 Claim, 6 Drawing Sheets



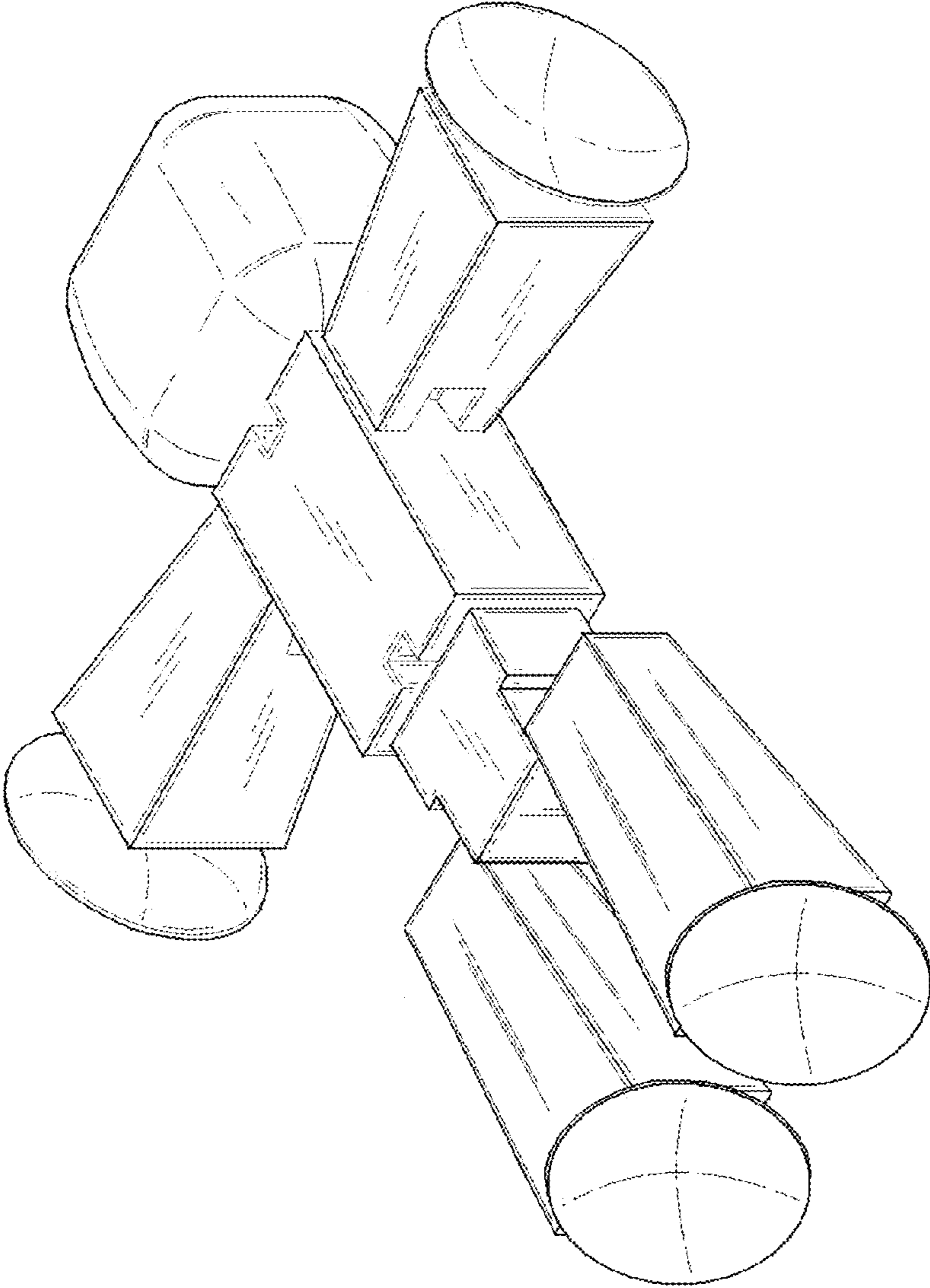


FIG. 1

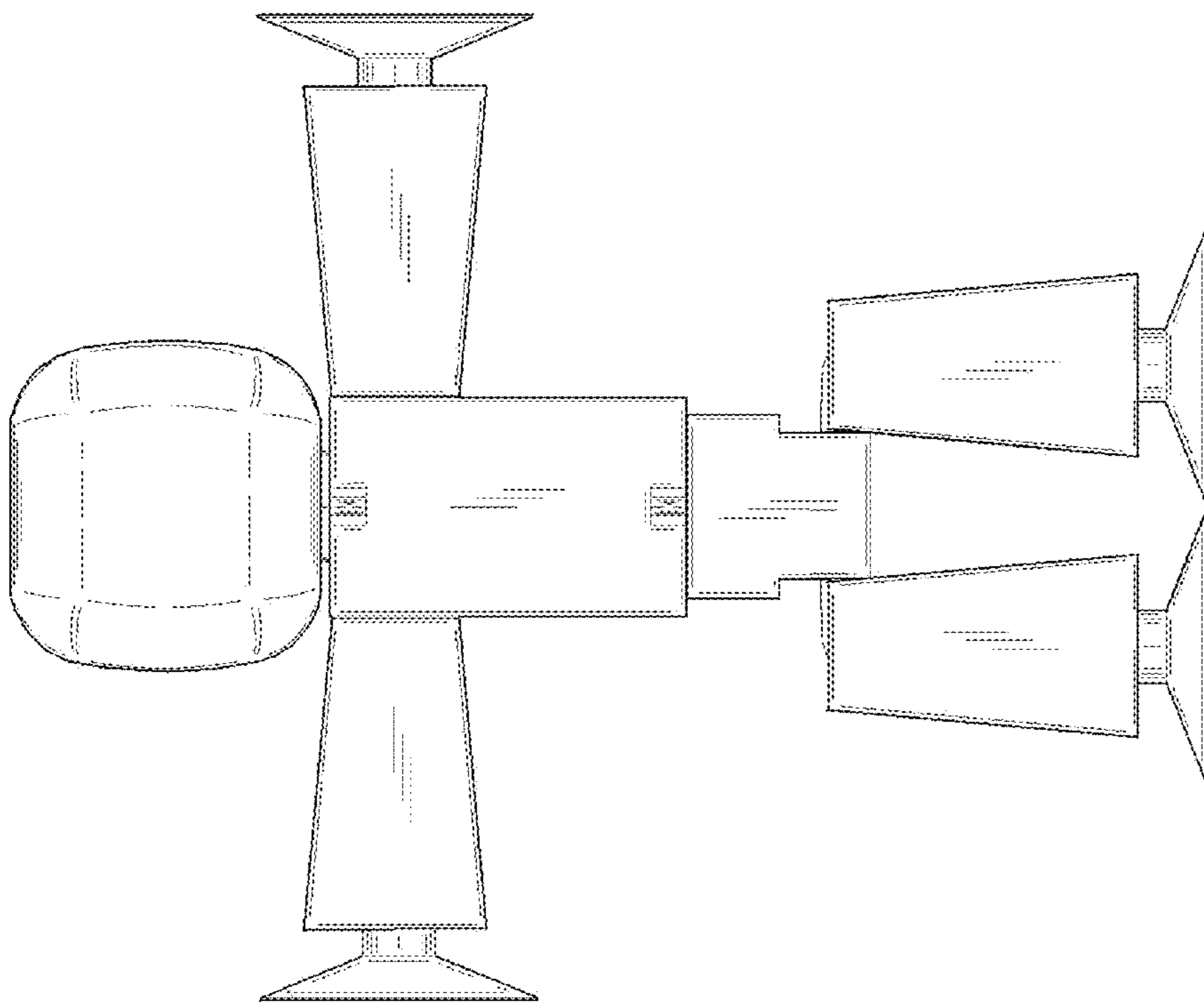


FIG. 2

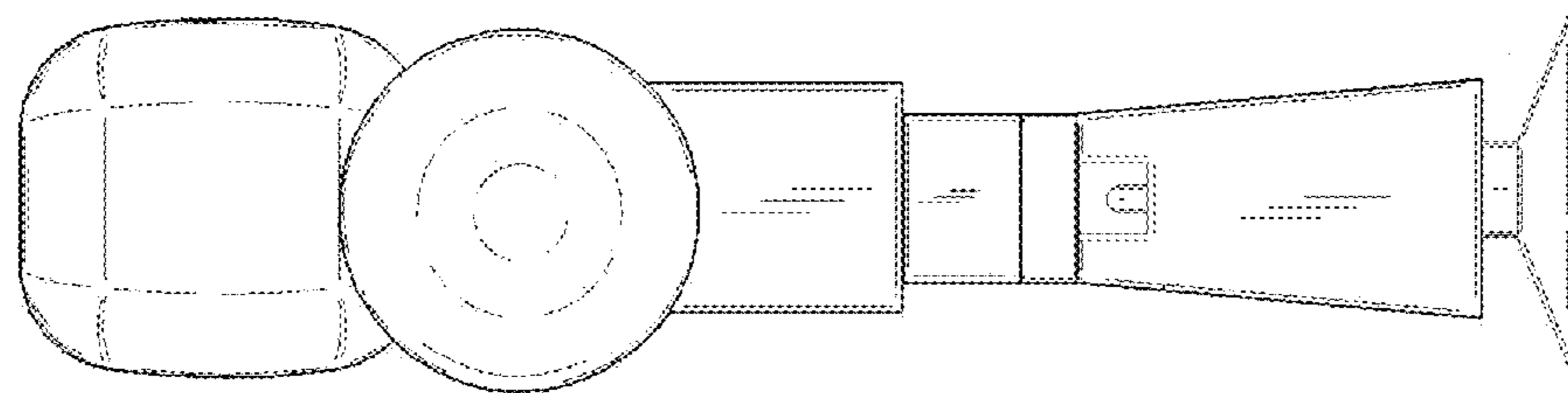


FIG. 3

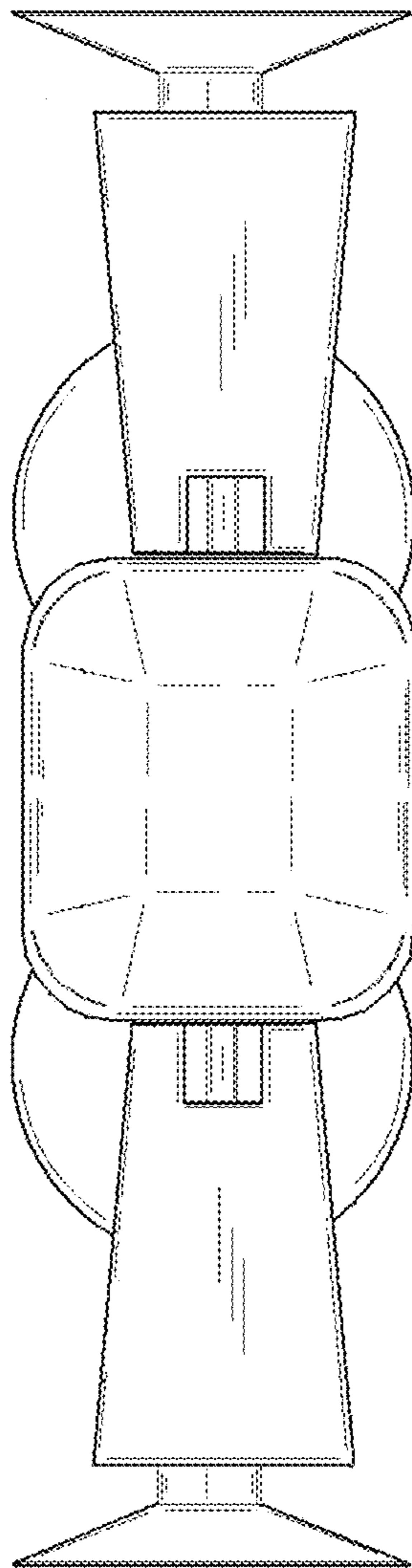


FIG. 4

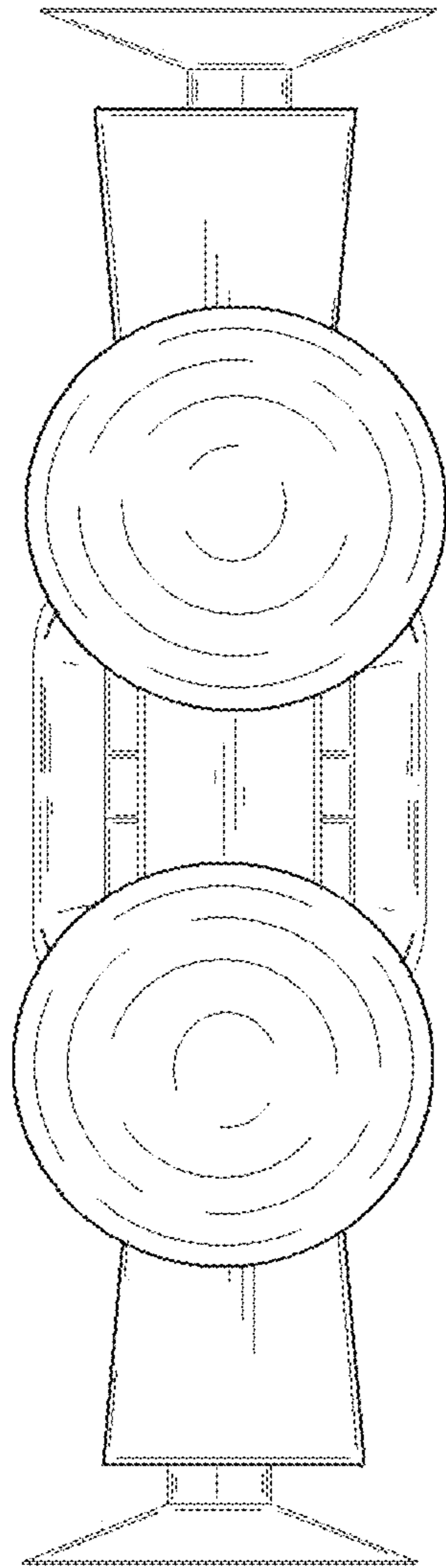


FIG. 5

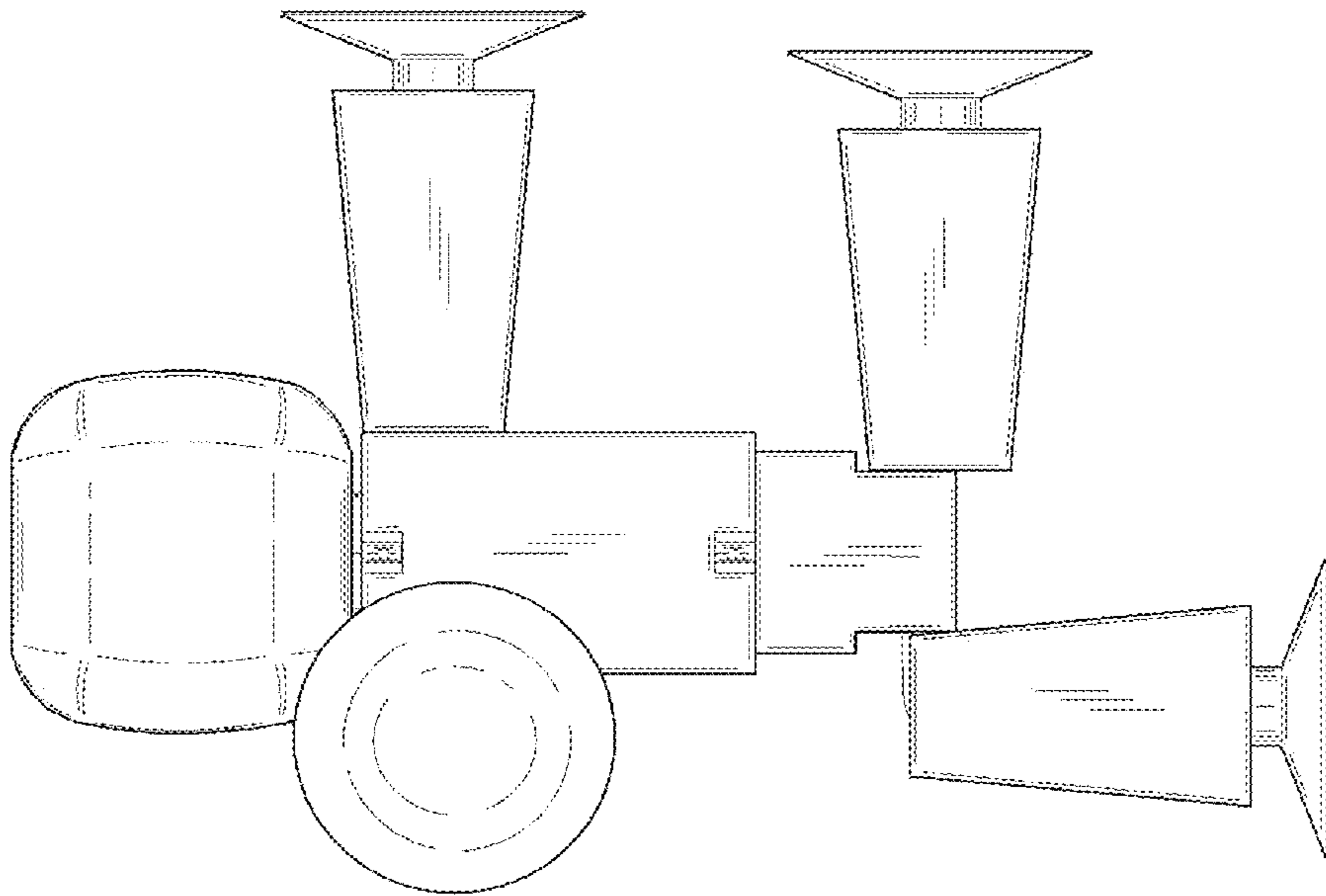


FIG. 6