



US00D778371S

(12) **United States Design Patent** (10) **Patent No.:** **US D778,371 S**
Barajas et al. (45) **Date of Patent:** **** Feb. 7, 2017**

(54) **ROLL HOOP FOR A QUADROTOR MODEL HELICOPTER**

(71) Applicant: **TRAXXAS LP**, McKinney, TX (US)

(72) Inventors: **Jaime Felix Barajas**, Dallas, TX (US);
Jonathan Scott Wood, Plano, TX (US)

(73) Assignee: **TRAXXAS LP**, McKinney, TX (US)

(**) Term: **15 Years**

(21) Appl. No.: **29/540,839**

(22) Filed: **Sep. 28, 2015**

(51) **LOC (10) Cl.** **21-01**

(52) **U.S. Cl.**
USPC **D21/453**; D12/442

(58) **Field of Classification Search**
USPC D12/16.1, 319, 323-345; D21/436, 438,
D21/439, 440, 441, 447, 448, 449, 450,
D21/452, 453, 454, 455
CPC B64C 1/062; B64C 39/024; B64C 27/08
See application file for complete search history.

(56) **References Cited**

U.S. PATENT DOCUMENTS

D710,452 S *	8/2014	Barajas	D12/16.1
D710,453 S *	8/2014	Barajas	D12/16.1
D710,454 S *	8/2014	Barajas	D12/16.1
8,973,861 B2 *	3/2015	Zhou	A63H 27/12 244/17.23
9,061,763 B1 *	6/2015	Christensen	A63H 17/28
9,099,902 B2 *	8/2015	Chen	H02K 5/225
2012/0056041 A1 *	3/2012	Rhee	B64C 25/32 244/4 R
2012/0078451 A1 *	3/2012	Ohtomo	B64C 39/024 701/15
2014/0339355 A1 *	11/2014	Olm	B64C 27/08 244/17.23

2015/0051755 A1 *	2/2015	Erhart	A63H 27/12 701/2
2015/0336670 A1 *	11/2015	Zhang	B64C 1/00 244/119
2016/0122017 A1 *	5/2016	Welker	B64C 39/024 244/17.23
2016/0198088 A1 *	7/2016	Wang	H04N 5/23238 348/36

OTHER PUBLICATIONS

Traxxas Aton Quadcopter Drone by Dean Berry, dated Dec. 22, 2015. found online [Sep. 18, 2016] <http://www.rcdriver.com/its-almost-here-the-traxxas-aton-quadcopter-drone/>.*

* cited by examiner

Primary Examiner — Robert M Spear
Assistant Examiner — Marissa J Cash
(74) *Attorney, Agent, or Firm* — CARR Law Firm PLLC

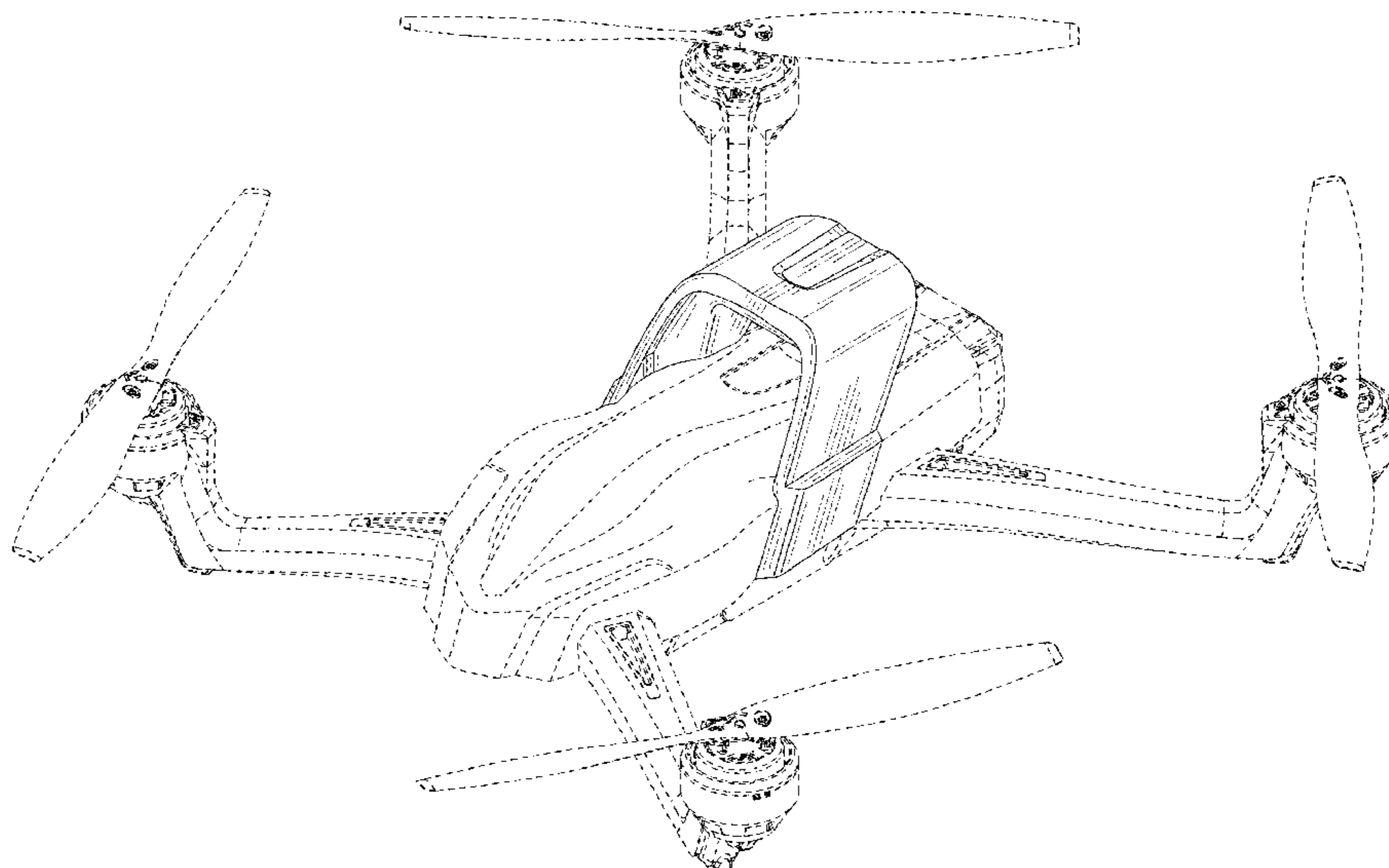
(57) **CLAIM**

We claim the ornamental design for a roll hoop for a quadrotor model helicopter, as shown and described.

DESCRIPTION

FIG. 1 is a, top, left, front perspective view of a roll hoop for a quadrotor model helicopter;
FIG. 2 is a bottom, right, rear perspective view thereof;
FIG. 3 is a top plan view thereof;
FIG. 4 is a bottom plan view thereof;
FIG. 5 is a rear elevation view thereof;
FIG. 6 is a front elevation view thereof;
FIG. 7 is a right side elevation view thereof; and,
FIG. 8 is a left side elevation view thereof.
Structural elements depicted by broken lines have been shown for the purpose of illustrating portions of the roll hoop for a quadrotor model helicopter that form no part of the claimed design.

1 Claim, 6 Drawing Sheets



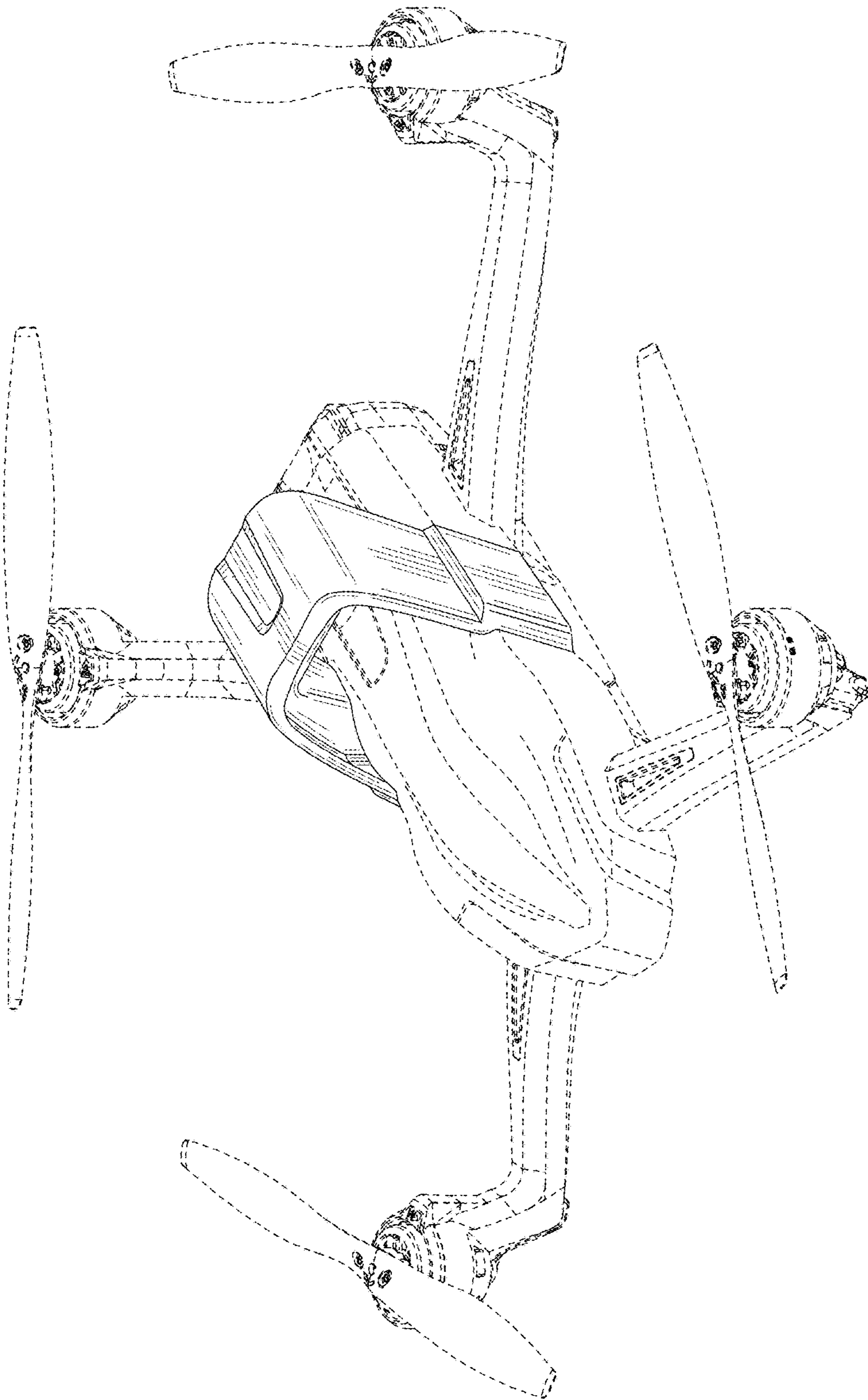


FIG. 1

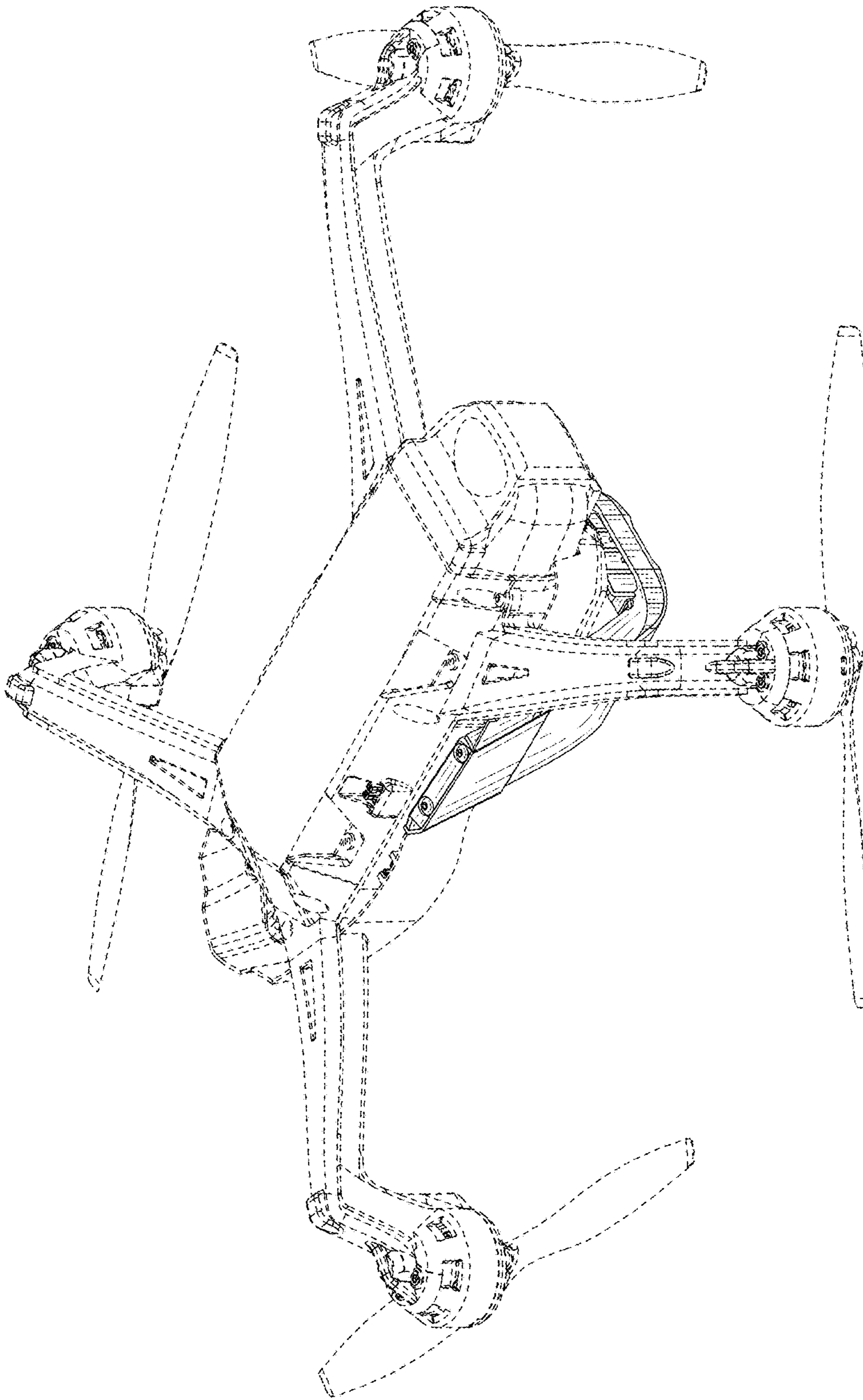


FIG. 2

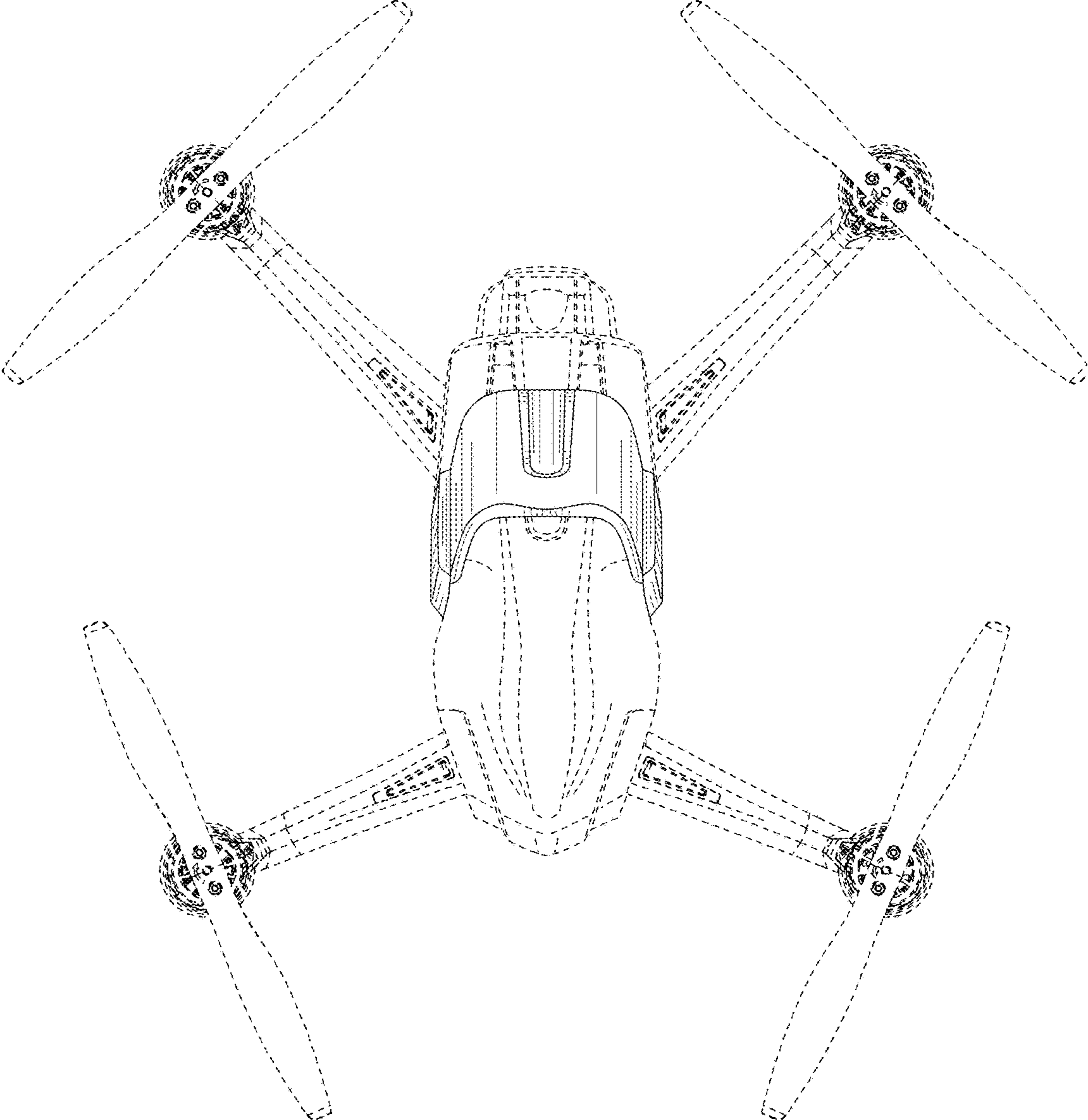


FIG. 3

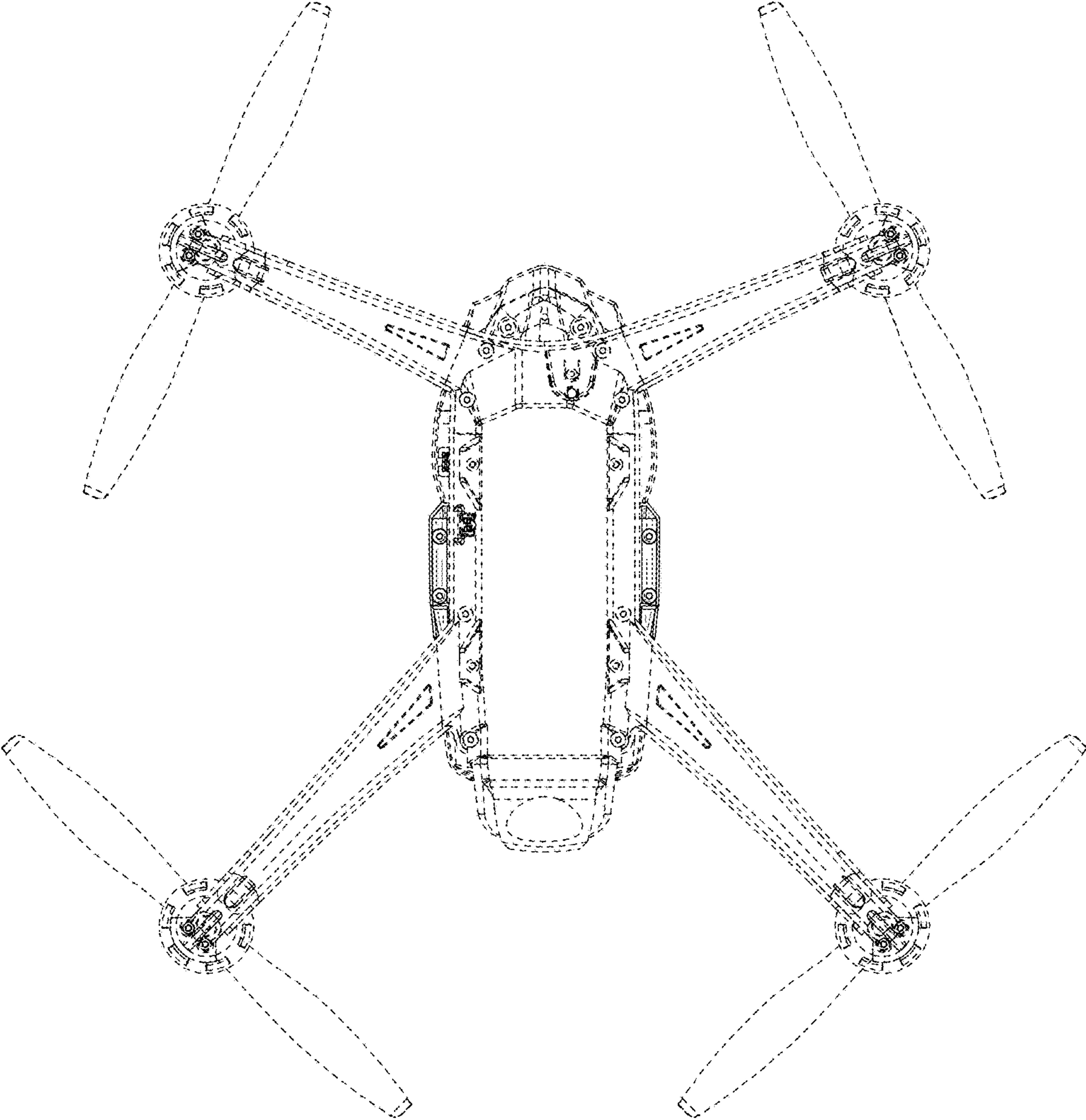


FIG. 4

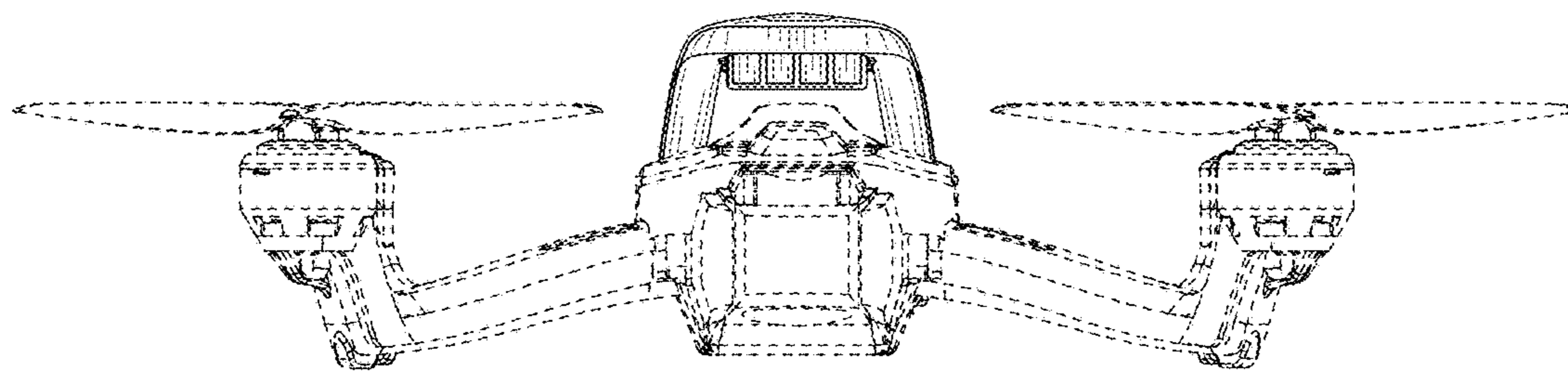


FIG. 5

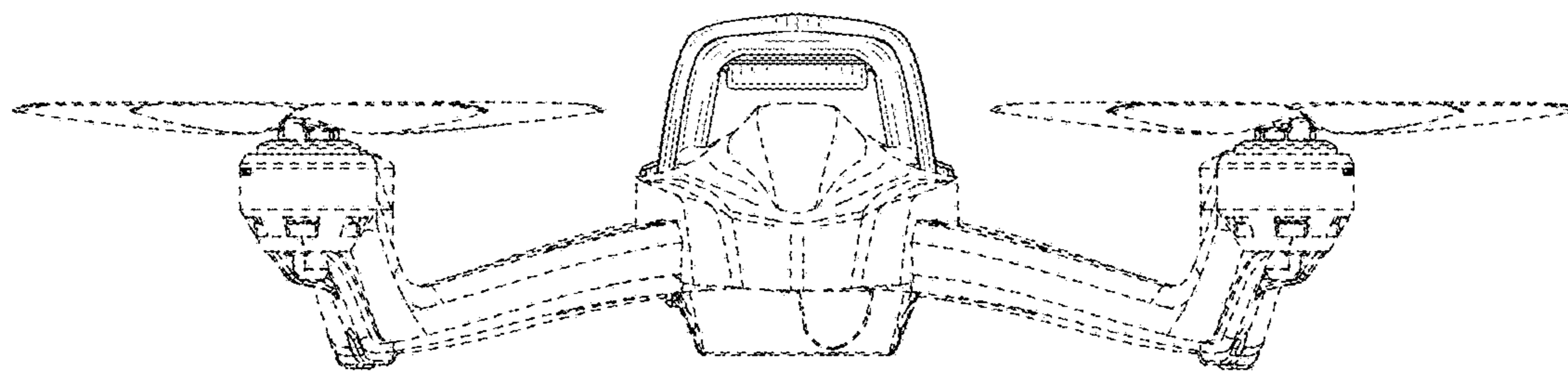


FIG. 6

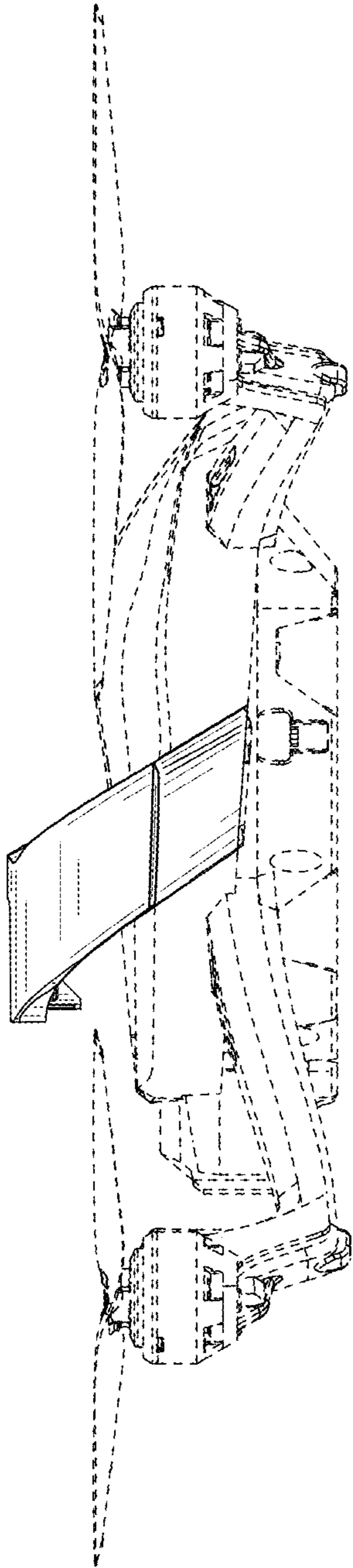


FIG. 7

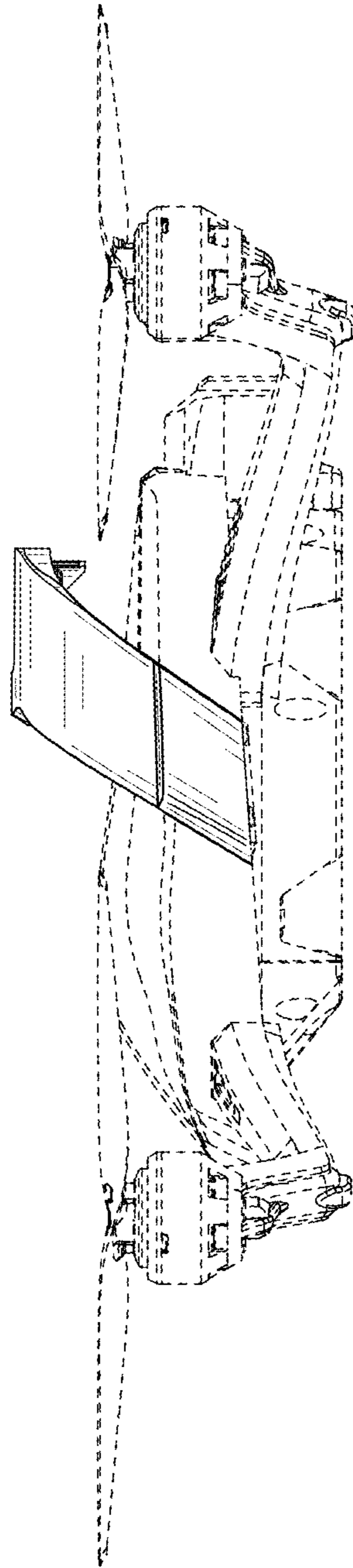


FIG. 8