



US00D778370S

(12) **United States Design Patent** (10) **Patent No.:** **US D778,370 S**
Moore (45) **Date of Patent:** **** Feb. 7, 2017**

(54) **FLYING DISC TOY**
(71) Applicant: **Playhard, Inc.**, Boulder, CO (US)
(72) Inventor: **Jerry Moore**, Boulder, CO (US)
(73) Assignee: **Playhard, Inc.**, Boulder, CO (US)
(**) Term: **15 Years**
(21) Appl. No.: **29/535,218**

D478,944 S * 8/2003 Peterson D21/443
6,783,421 B1 * 8/2004 Lopez A63H 23/10
446/153
D527,428 S * 8/2006 Cooper D21/443
D553,278 S * 10/2007 Moore D26/39
D572,315 S * 7/2008 Sowinski D21/443
D638,279 S * 5/2011 Plato D8/334
D714,398 S * 9/2014 Oblack D21/443
D725,197 S * 3/2015 Thompson D21/443
D725,713 S * 3/2015 Thompson D21/443
D725,714 S * 3/2015 Kim D21/443
D742,430 S * 11/2015 Moris D15/78

(Continued)

(22) Filed: **Aug. 4, 2015**
(51) **LOC (10) Cl.** **21-02**
(52) **U.S. Cl.**
USPC **D21/443**
(58) **Field of Classification Search**
USPC D12/16.1, 319-345; D21/436, 438, 440,
D21/442, 443, 446-451, 453
CPC .. B64C 39/024; B64C 27/32; B64C 2201/024;
B64C 27/12; B64C 39/00; B64C 27/08;
A63H 27/12
See application file for complete search history.

OTHER PUBLICATIONS

Flashflight LED Light Up Golf Disc by Playhard. webpage dated 2002-2016. found online [Apr. 25, 2016]http://flashflight.com/collections/discs-balls/products/flashflight-led-light-up-golf-disc-driver.*

(Continued)

Primary Examiner — Robert M Spear
Assistant Examiner — Marissa J Cash
(74) *Attorney, Agent, or Firm* — Haynes and Boone, LLP

(56) **References Cited**

U.S. PATENT DOCUMENTS

3,786,246 A * 1/1974 Johnson A63H 33/18
362/184
4,288,942 A * 9/1981 Nicholl A63H 33/18
446/48
4,431,196 A * 2/1984 Kutnyak A63H 33/18
473/588
4,869,699 A * 9/1989 Plambeck A63H 33/425
446/46
D390,282 S * 2/1998 Burdick D21/443
D401,288 S * 11/1998 Dunipace D21/443
D402,318 S * 12/1998 Dunipace D21/443
5,882,239 A * 3/1999 Trichak A63H 33/18
446/219
D466,562 S * 12/2002 Peterson D21/443

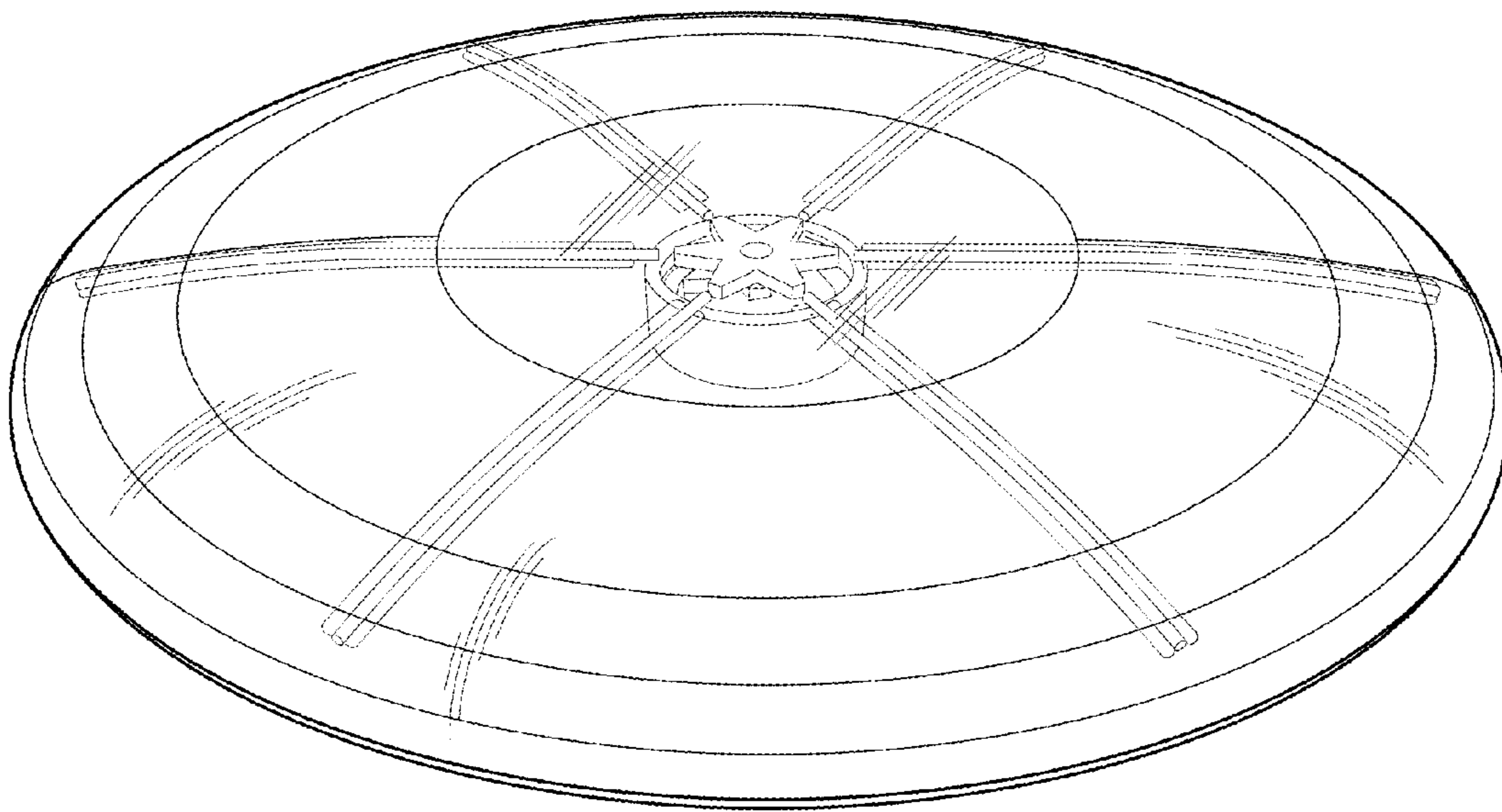
(57) **CLAIM**

The ornamental design for a flying disc toy, as shown and described.

DESCRIPTION

FIG. 1 is a top perspective view of the flying disc toy;
FIG. 2 is a bottom perspective view of the flying disc toy of FIG. 1;
FIG. 3 is a top view of the flying disc toy of FIG. 1;
FIG. 4 is a bottom view of the flying disc toy of FIG. 1; and,
FIG. 5 is a symmetrical side view of the flying disc toy of FIG. 1.

1 Claim, 4 Drawing Sheets



(56)

References Cited

U.S. PATENT DOCUMENTS

2003/0162470	A1 *	8/2003	Peterson	A63H 33/18 446/46
2004/0022070	A1 *	2/2004	Moore	A63H 33/22 362/555
2004/0043694	A1 *	3/2004	Cohen	A63H 33/22 446/47
2007/0212973	A1 *	9/2007	Brockes	A63H 33/18 446/47
2009/0199784	A1 *	8/2009	Oblack	A01K 15/025 119/707
2012/0225739	A1 *	9/2012	Cheshire	A63B 63/06 473/416

OTHER PUBLICATIONS

LED Frisbee by Alibaba. dated 2016. found online [Apr. 25, 2016] http://www.alibaba.com/product-detail/LED-Frisbee-Multi-Colored-Fiber-optic_60441106234.html?spm=a2700.7724857.29.96.45WpO.*

LED Red Frisbee by Nite-ize on Amazon dated Aug. 15, 2013. found online [Apr. 25, 2016] http://www.amazon.com/Nite-ize-Flashlight-Light-Flying-Disc/dp/B001EPVGEE/ref=pd_bxgy_200_img_2?ie=UTF8&refRID=1S2DKX40X9P4EQ8CDNCD.*

Full Size GLow by Flyin' Fox on ebay. dated Apr. 15, 2016. found online [Apr. 25, 2016] <http://www.ebay.com/itm/Full-Size-Glow-in-the-Dark-Frisbee-Flying-Disc-w-Bright-Changing-Multi-Colors-/131725582874>.*

Office Action issued in co-pending European Community Design Application No. 002972596 dated Feb. 16, 2016 (2 pages).

* cited by examiner

FIG. 1

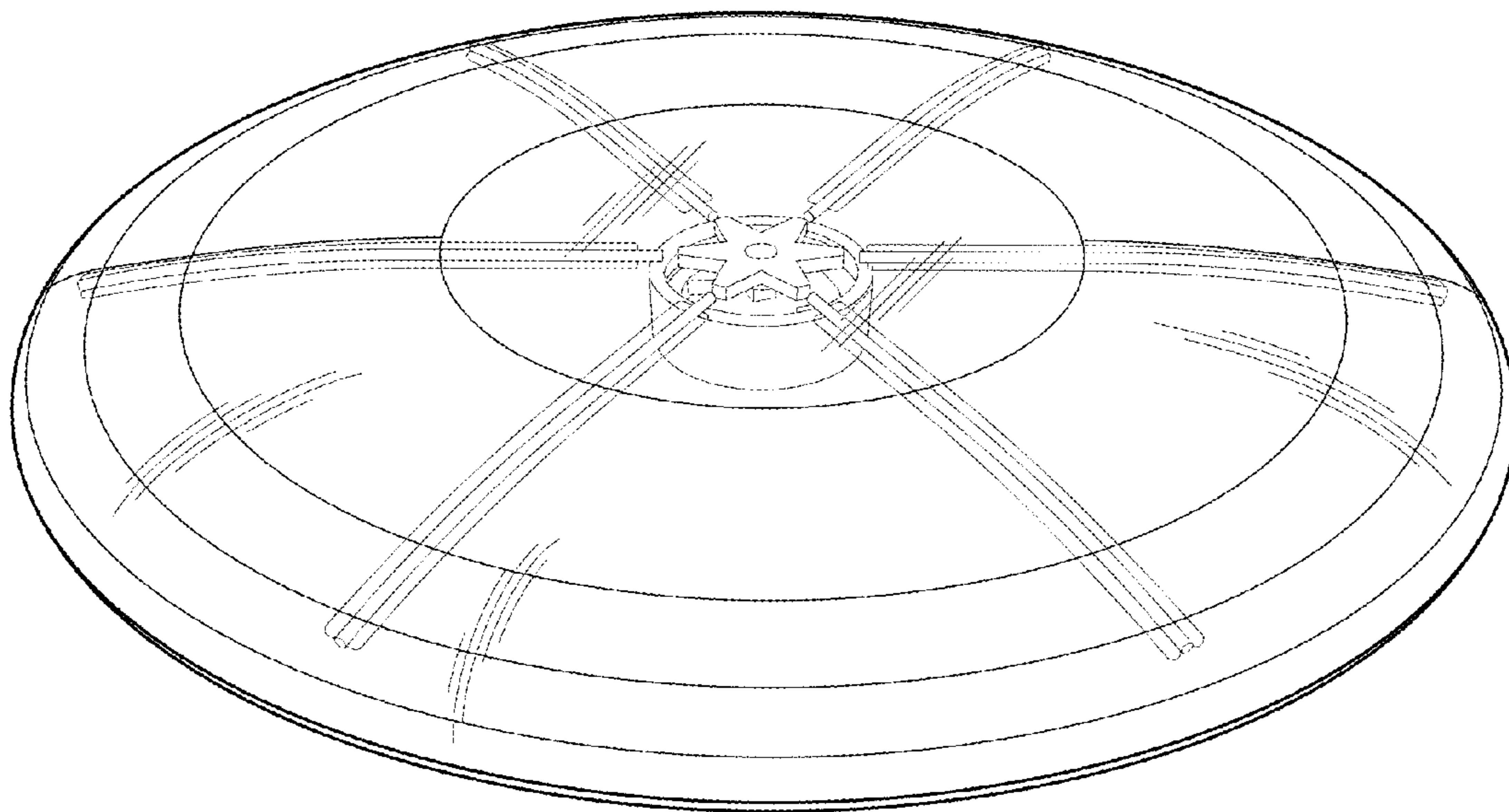


FIG. 2

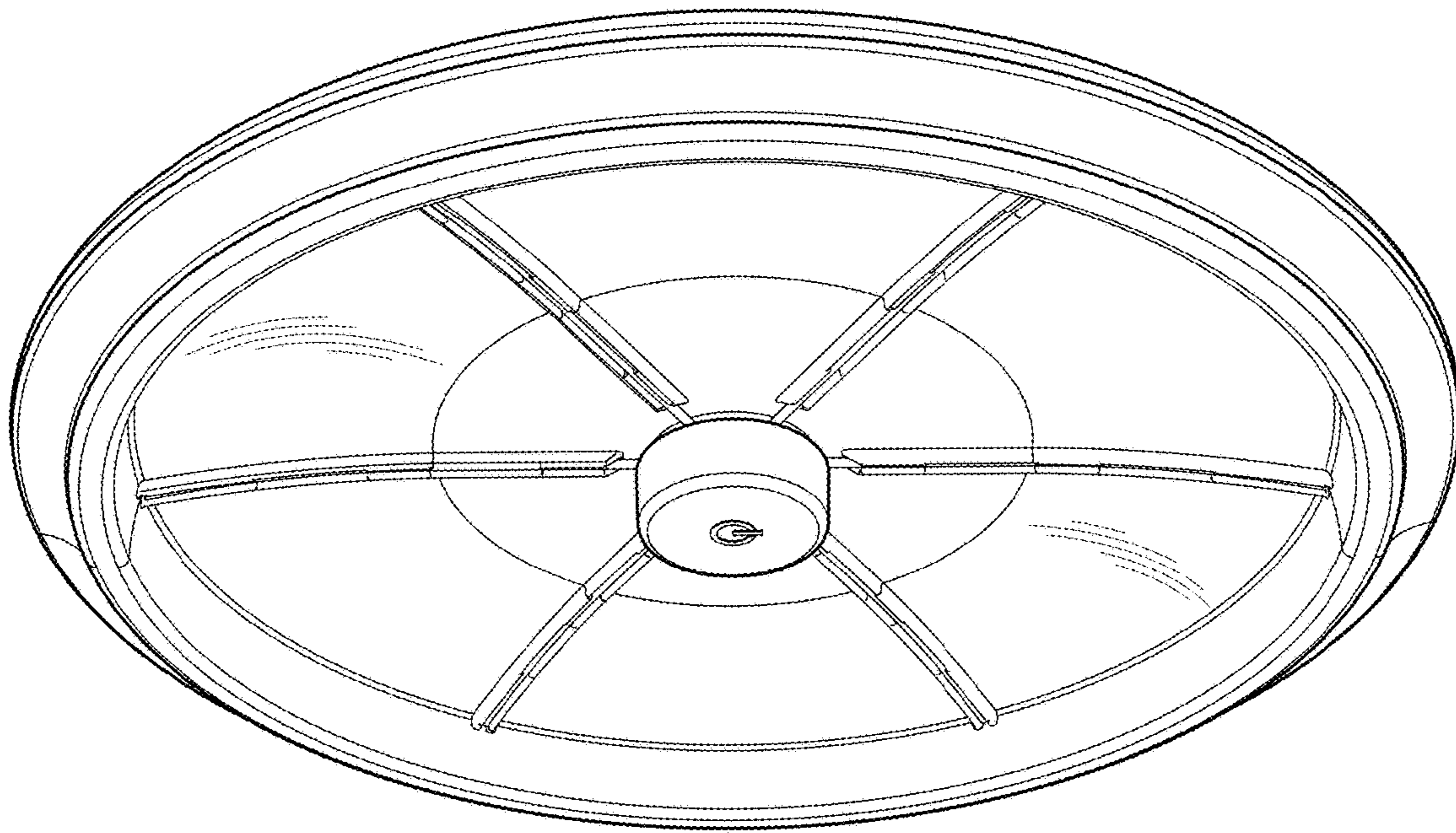


FIG. 3

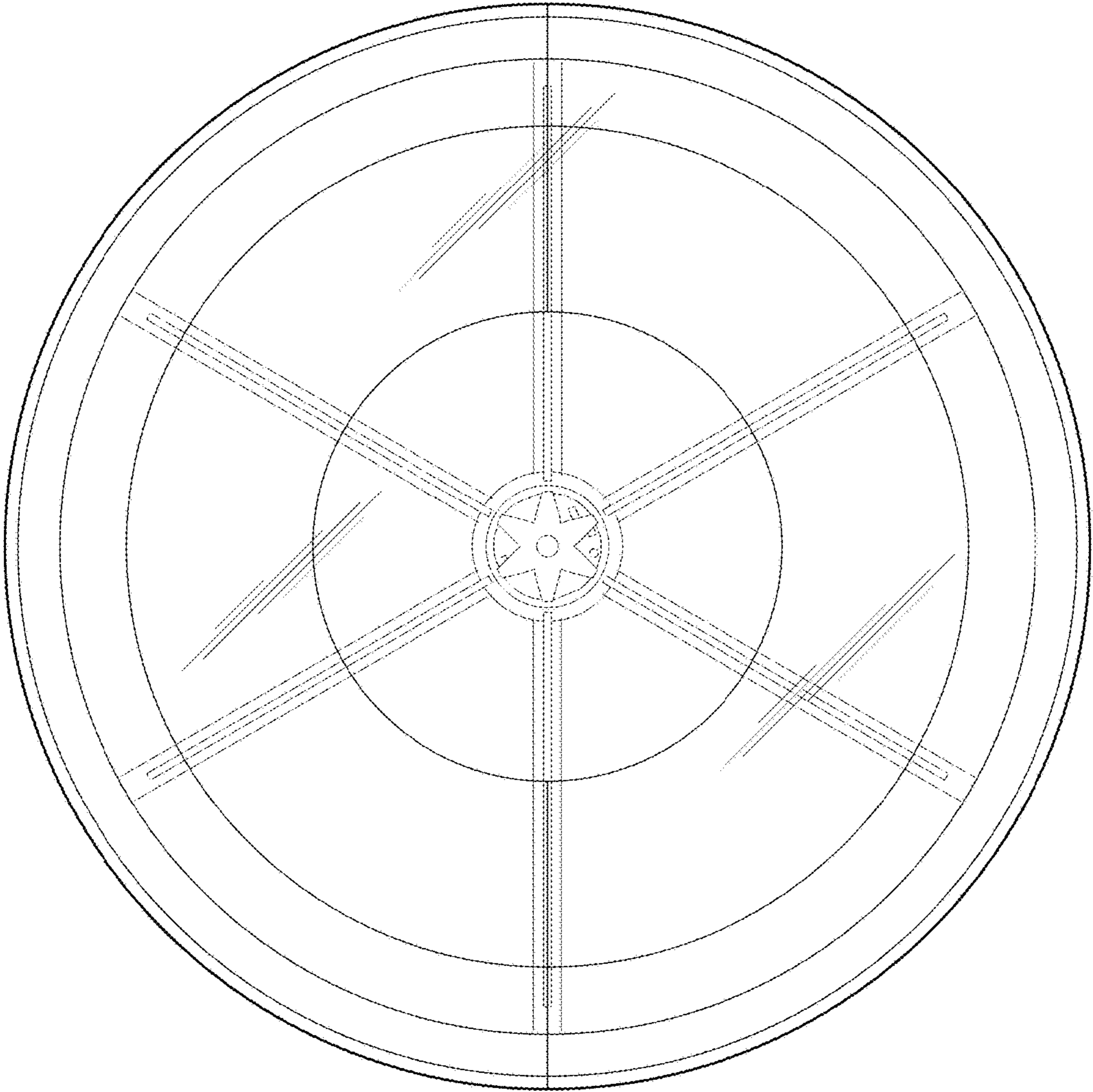


FIG. 4

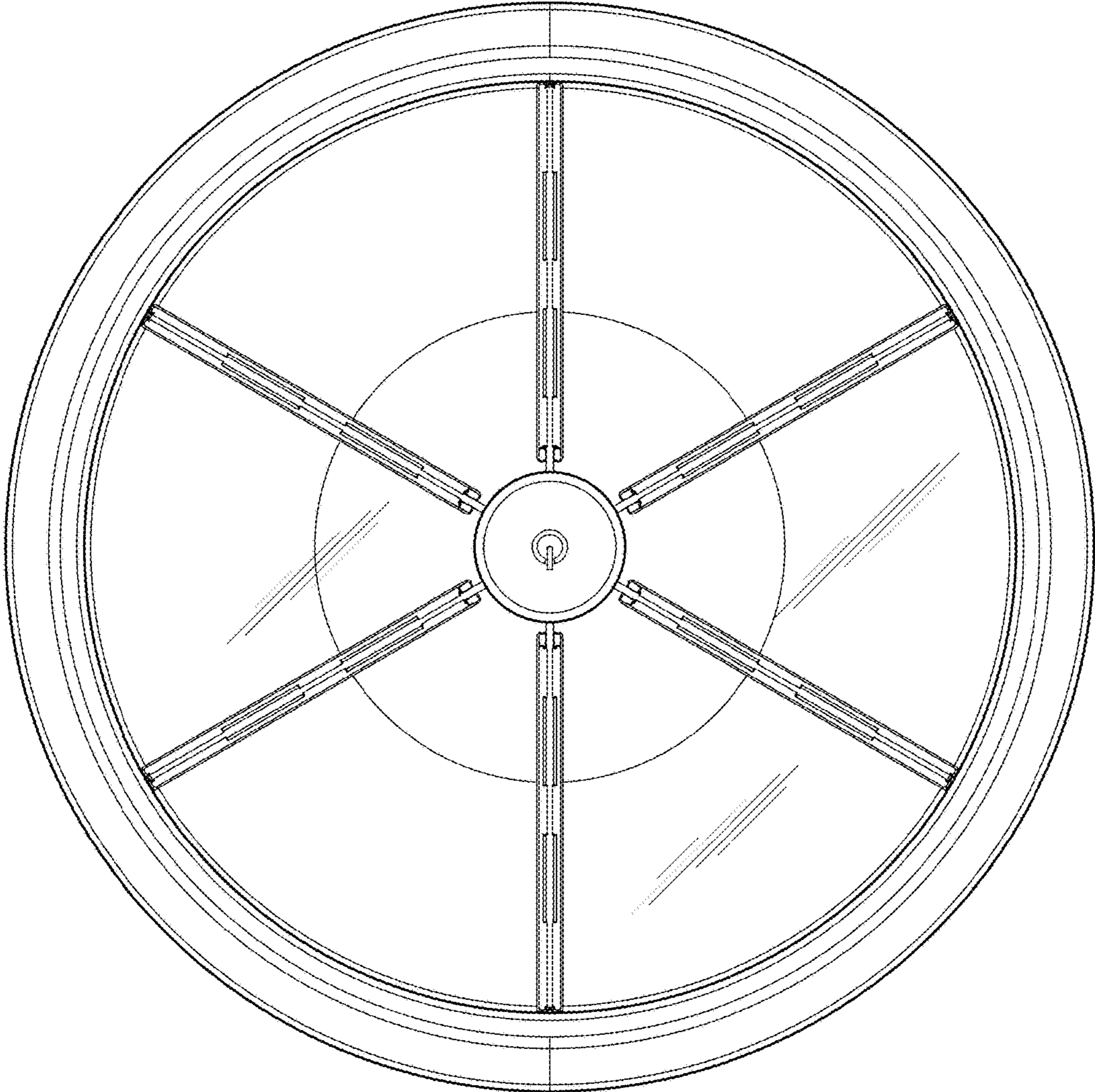


FIG. 5

