



US00D778369S

(12) **United States Design Patent** (10) **Patent No.:** **US D778,369 S**
Douma et al. (45) **Date of Patent:** **** Feb. 7, 2017**

(54) **GO KART**

(71) Applicant: **Berg Toys Beheer B.V.**, Ede (NL)

(72) Inventors: **Johannes Willem Douma**, Maarssen (NL); **Hendrik van den Berg**, Wekerom (NL)

(73) Assignee: **Berg Toys Beheer B.V.**, Ede (NL)

(**) Term: **14 Years**

(21) Appl. No.: **29/497,456**

(22) Filed: **Jul. 24, 2014**

(30) **Foreign Application Priority Data**

Feb. 7, 2014 (EM) 002400937-0001

(51) **LOC (10) Cl.** **21-01**

(52) **U.S. Cl.**
USPC **D21/424**; D12/87

(58) **Field of Classification Search**
USPC D21/412, 414, 431-435; D12/1, 87, 107, D12/110-114, 129, 130, 133; 280/87.01, 280/87.021, 87.05, 87.051, 47.17, 47.25, 280/47.34, 47.38, 47.4, 827, 828, 29, 200, 280/263, 266, 267, 270, 282, 288.4, 291, 297/293; 5; 482/68

CPC A63G 25/00; B62D 21/183; B62D 39/00; B60K 7/0007

See application file for complete search history.

(56) **References Cited**

U.S. PATENT DOCUMENTS

D190,114 S * 4/1961 Baxter 280/209
D191,579 S * 10/1961 Thompson D12/88
3,799,283 A * 3/1974 Freber B60G 9/00
180/56
D299,705 S * 2/1989 Carpanelli D12/87
5,855,386 A * 1/1999 Atkins B60G 3/06
180/400

D437,364 S * 2/2001 Jang D21/424
D488,194 S * 4/2004 Fox D21/424
D512,467 S * 12/2005 Hadley D21/424
D611,106 S * 3/2010 van Beek D21/424
D692,505 S * 10/2013 Jiang D12/112
D692,506 S * 10/2013 Jiang D12/112
D705,128 S * 5/2014 Patterson D12/87

OTHER PUBLICATIONS

“GK2G: Go Karting Goes High Tech with Beau Reid’s Latest Conceptual Study.” Car Scoops., Jun. 21, 2011 [online], [retrieved on Aug. 24, 2016]. Retrieved from the Internet <URL: <http://www.carscoops.com/2011/06/gk2g-go-karting-goes-high-tech-with.html>>.*

Marchiorato, Matteo. “Go-Kart 3d Fully complete.” Grab CAD Community., Jan. 17, 2013 [online], [retrieved on Aug. 24, 2016]. Retrieved from the Internet <URL: <https://grabcad.com/library/go-kart-3d-fully-complete>>.*

(Continued)

Primary Examiner — Darlington Ly

(74) *Attorney, Agent, or Firm* — Chiesa Shahinian & Giantomasi PC

(57) **CLAIM**

The ornamental design for a go kart, as shown and described.

DESCRIPTION

FIG. 1 is a perspective view of the go kart showing our new design;

FIG. 2 is a rear isometric view thereof;

FIG. 3 is a top view thereof;

FIG. 4 is a front view thereof;

FIG. 5 is a rear view thereof;

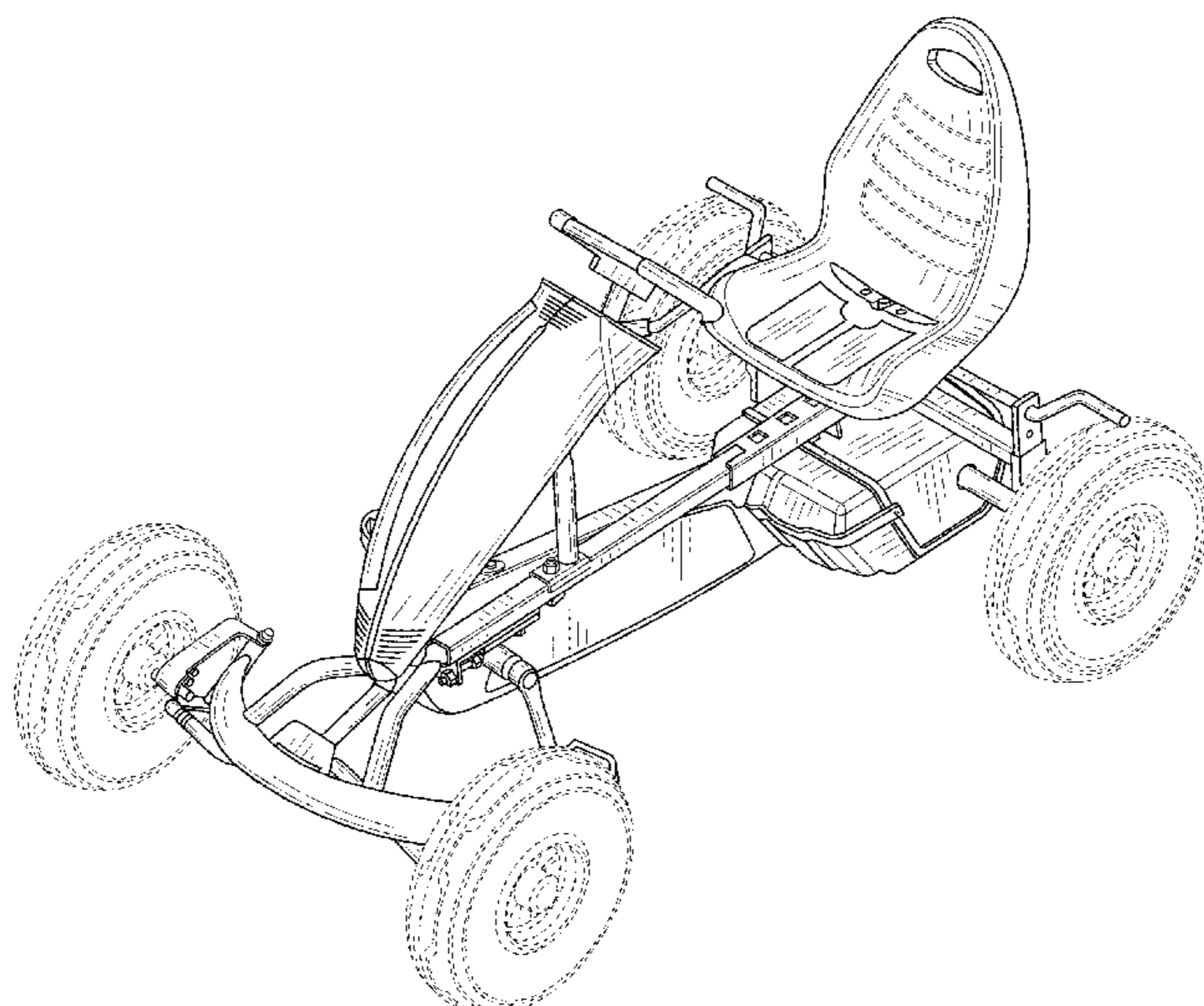
FIG. 6 is a left side view thereof;

FIG. 7 is a right side view thereof; and,

FIG. 8 is a bottom view thereof.

The broken lines in the drawings illustrate portions of the go kart that forms no part of the claimed design.

1 Claim, 8 Drawing Sheets



(56)

References Cited

OTHER PUBLICATIONS

Kee, Edwin. "Porsche Go-Kart For Kids." Uber Gizmo., Jun. 18, 2013 [online], [retrieved on Aug. 24, 2016]. Retrieved from the Internet <URL: <http://www.ubergizmo.com/2013/06/porsche-go-kart-for-kids/>>.*

O'Kane, Shane. "This \$599 smart go-kart can literally do donuts around Power Wheels." The Verge., Feb. 11, 2016 [online], [retrieved on Aug. 24, 2016]. Retrieved from the Internet <URL: <https://grabcad.com/library/go-kart-3d-fully-complete>>.*

* cited by examiner

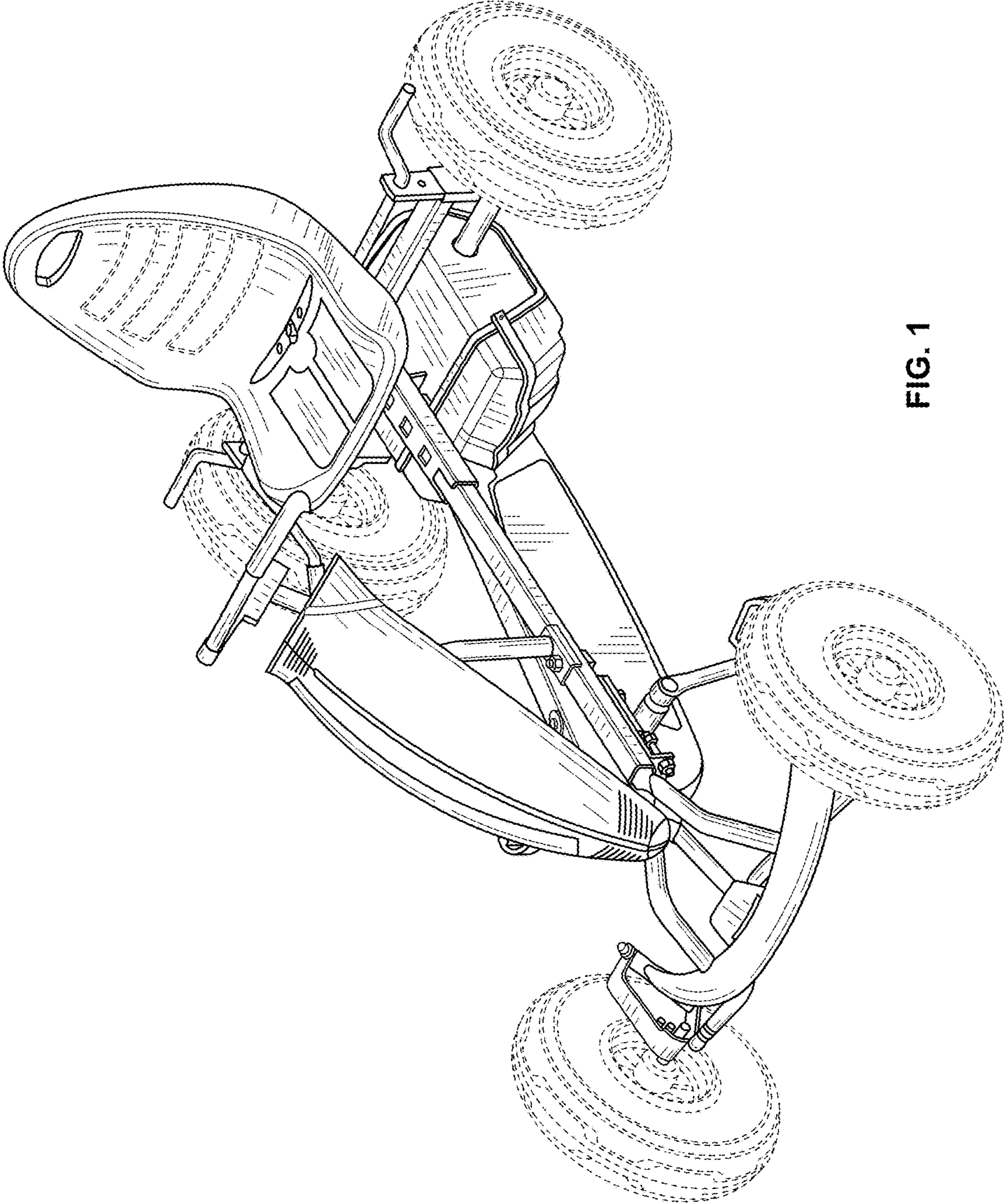


FIG. 1

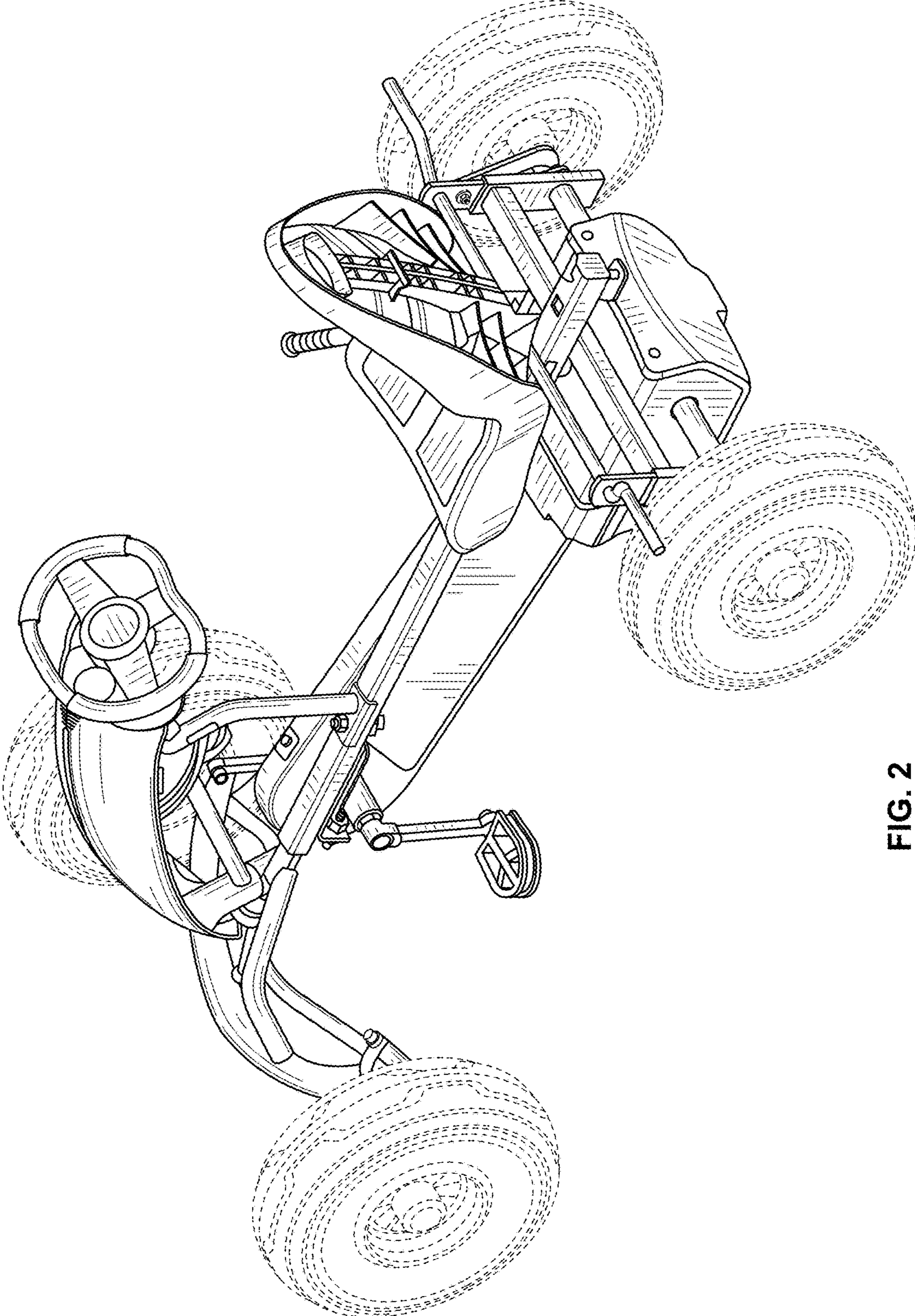


FIG. 2

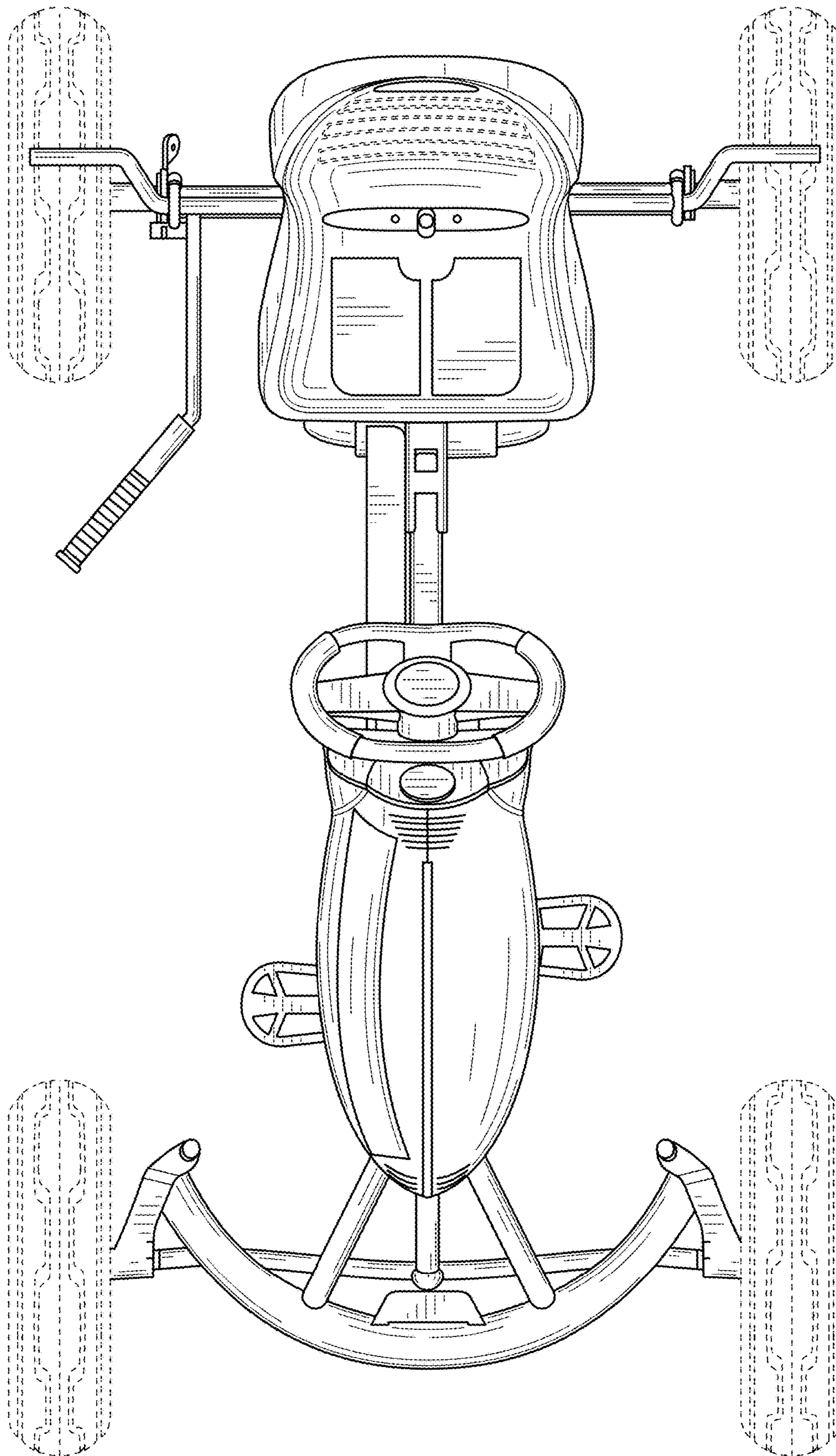


FIG. 3

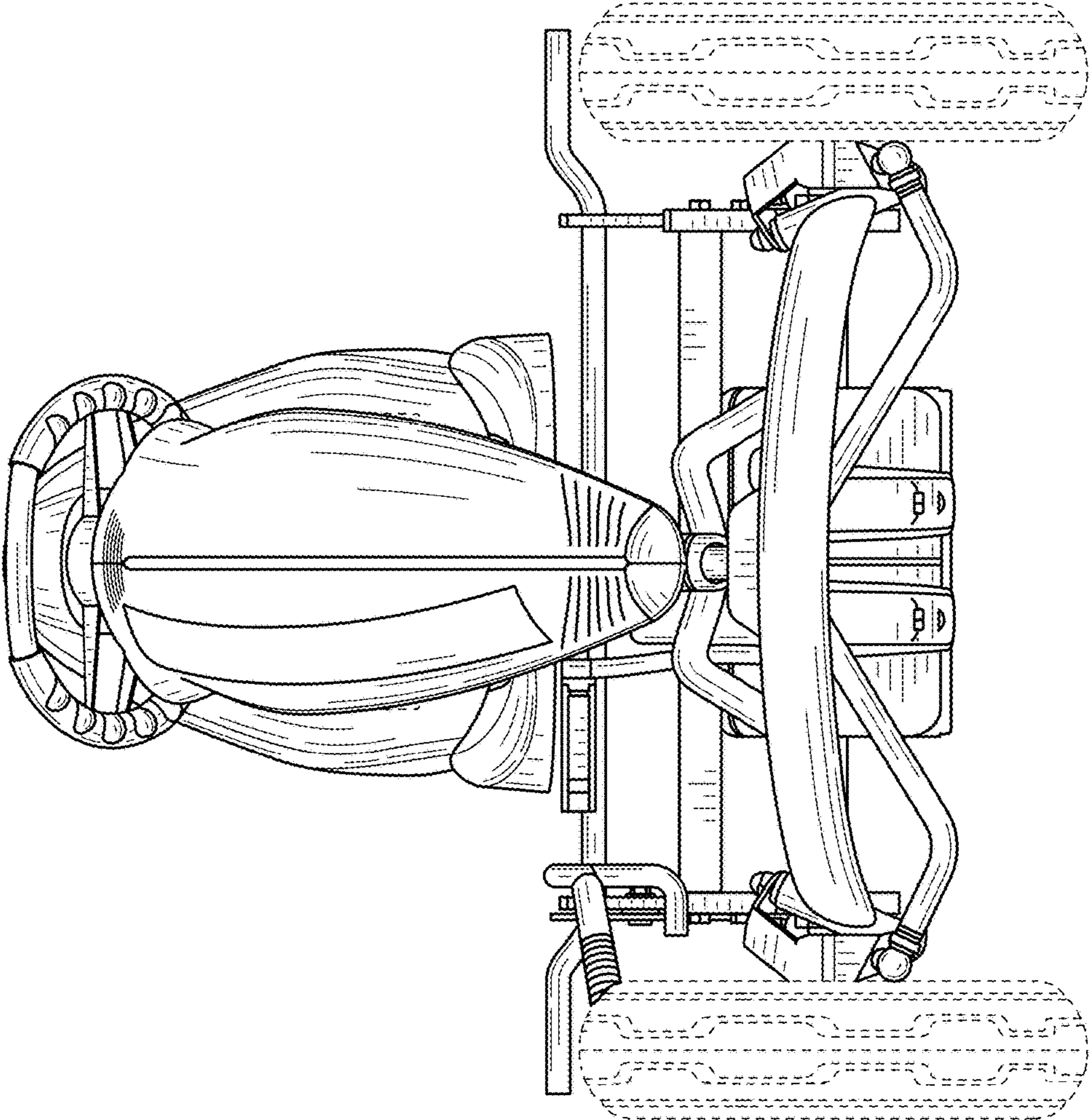


FIG. 4

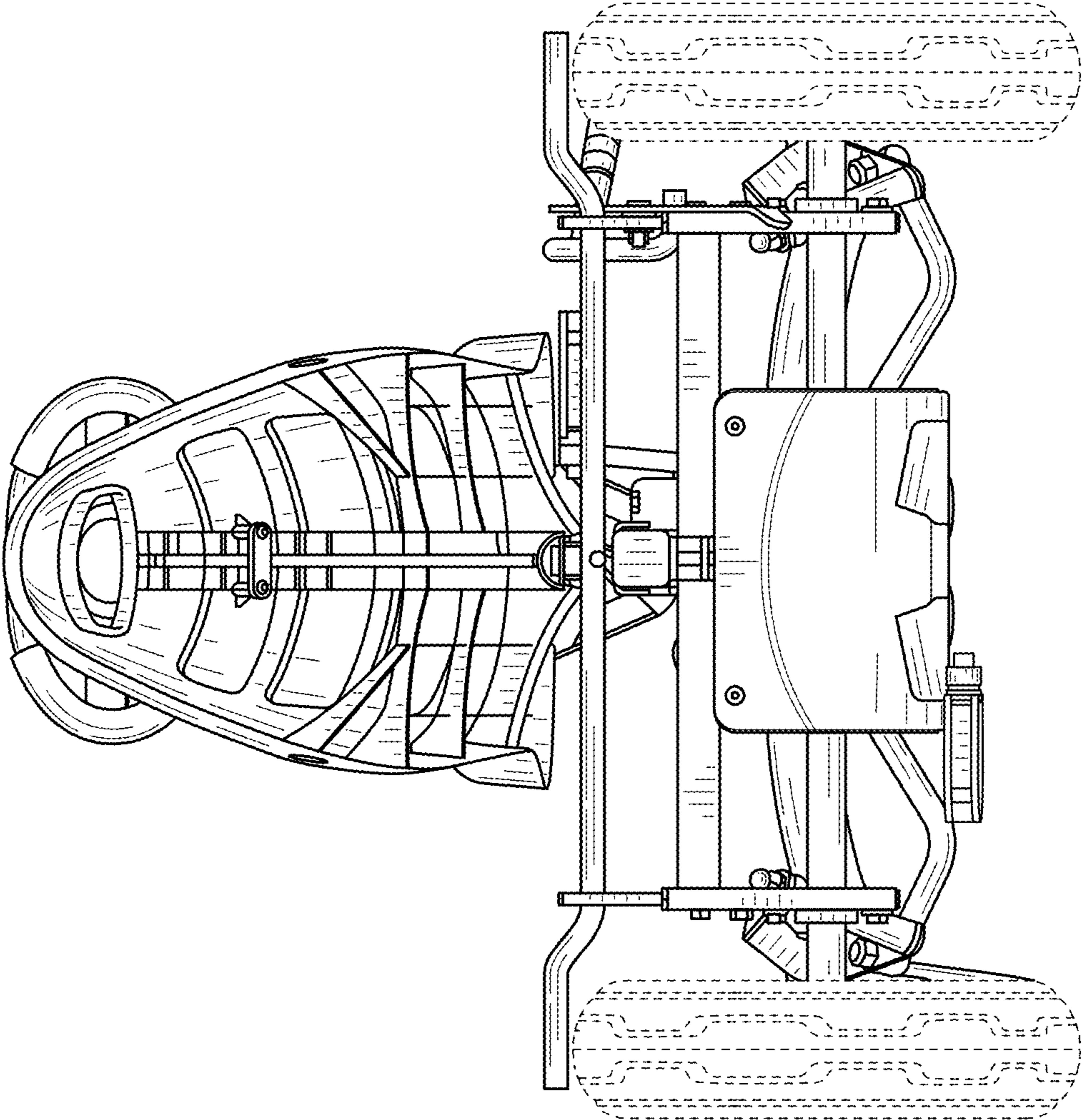


FIG. 5

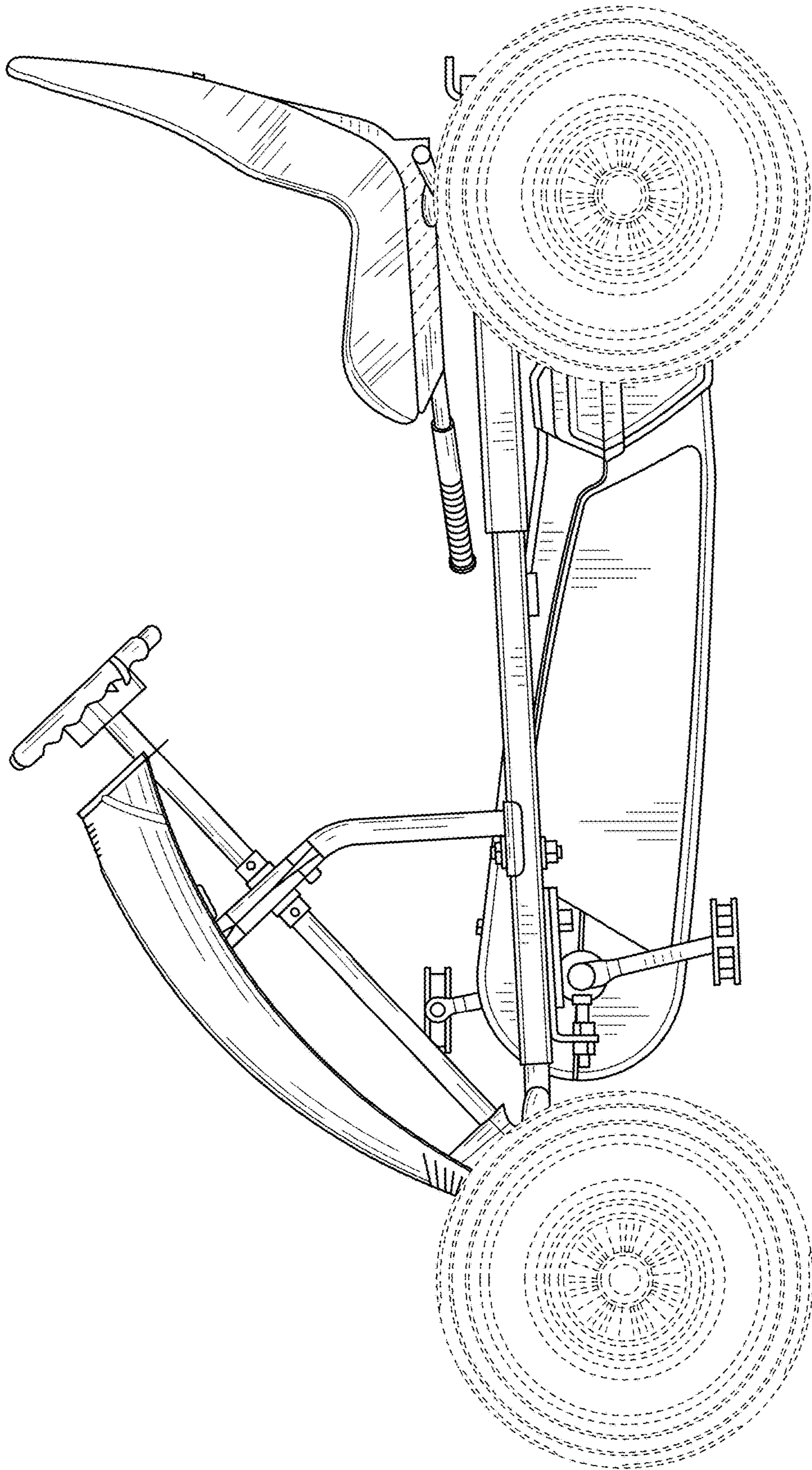


FIG. 6

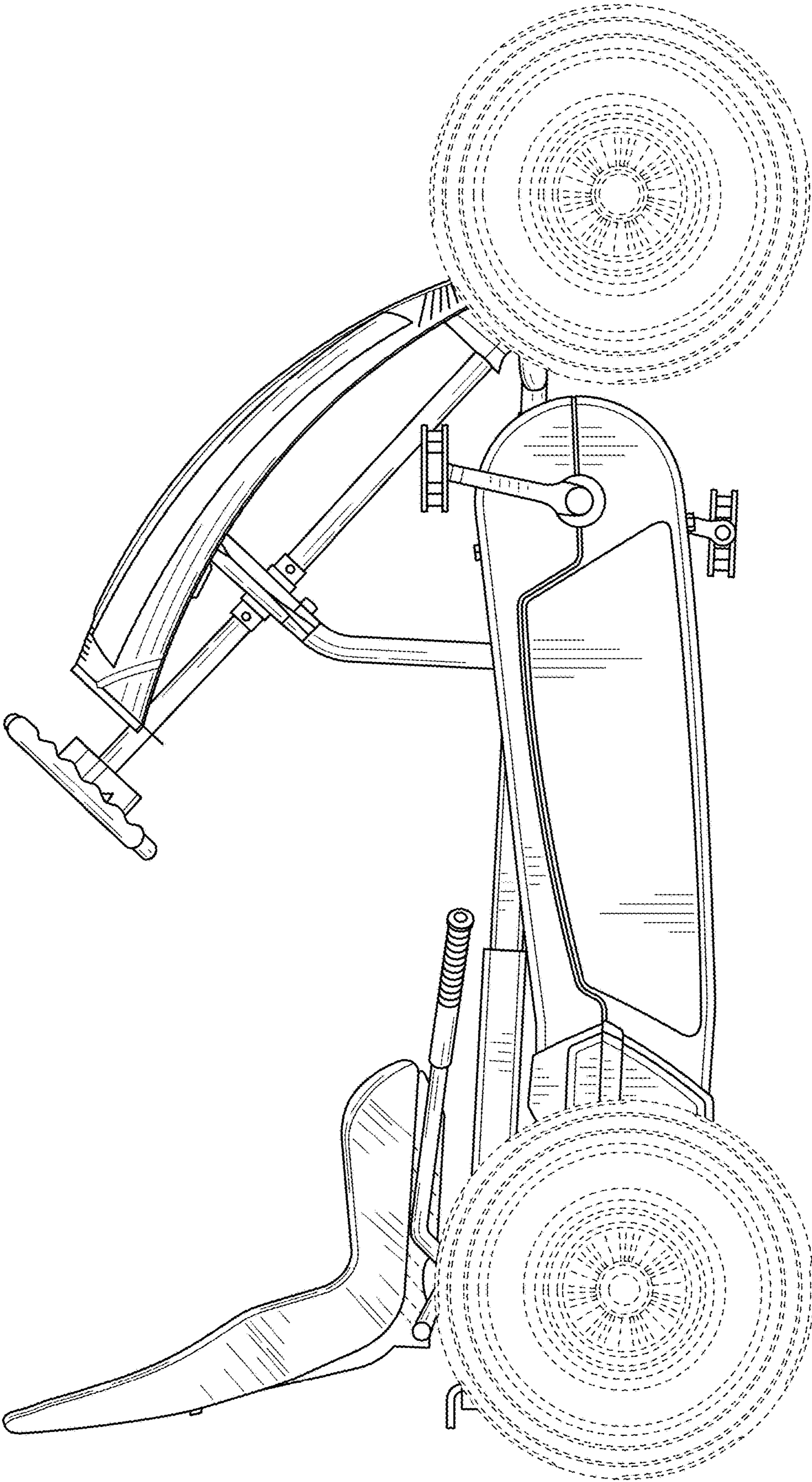


FIG. 7

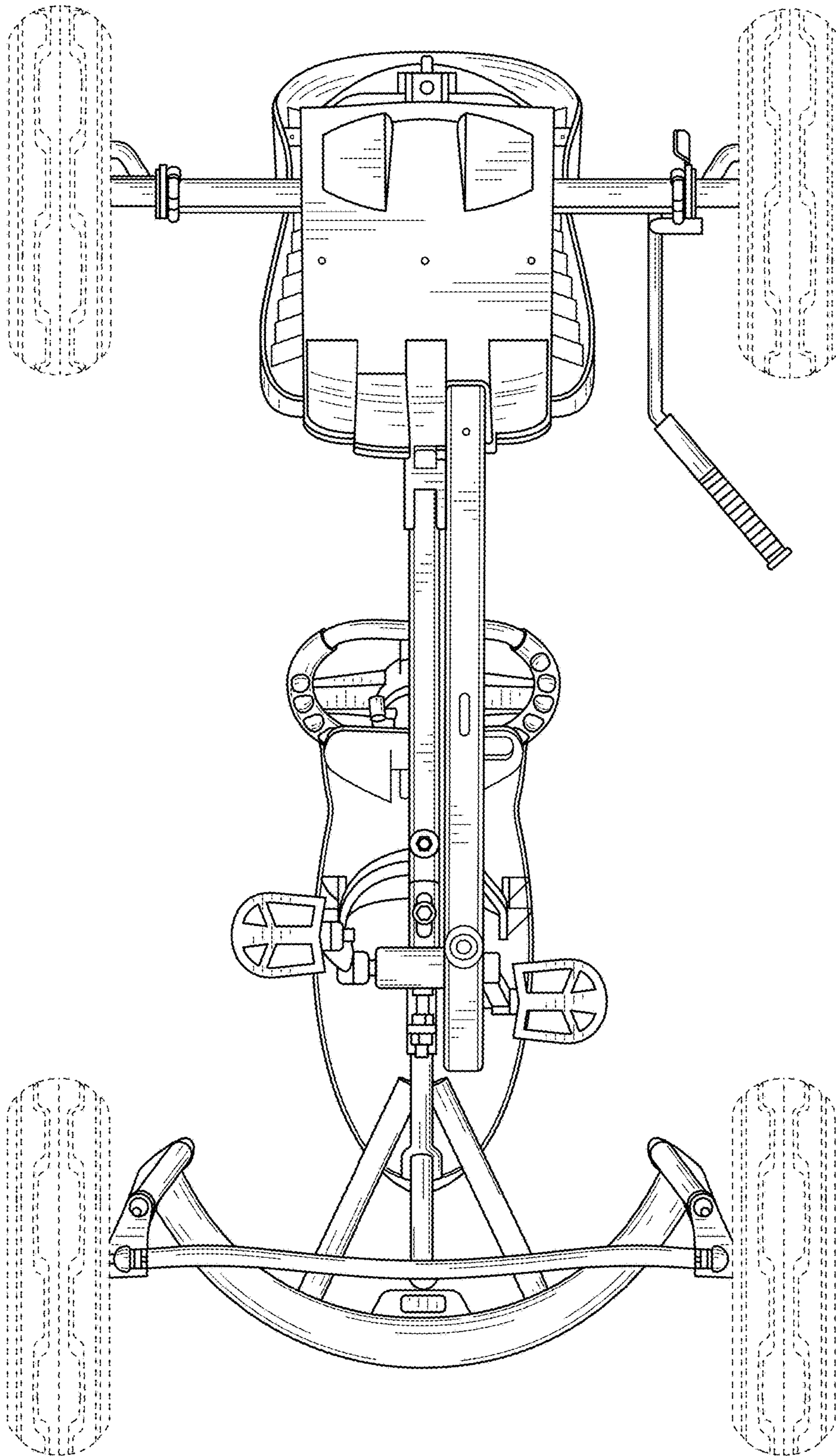


FIG. 8