



US00D778366S

(12) **United States Design Patent** (10) **Patent No.:** **US D778,366 S**  
**Kott et al.** (45) **Date of Patent:** **\*\* Feb. 7, 2017**

(54) **DISPLAY HOLDER COVER**

FOREIGN PATENT DOCUMENTS

(71) Applicant: **Ilten Products Ltd.**, Richmond (CA)  
(72) Inventors: **Marla Charisse Kott**, Vancouver (CA);  
**Kristin Sarah MacMillan**, West  
Vancouver (CA); **Alexander Jeffrey  
Feldman**, Vancouver (CA); **Robbie  
Gordon Roberts**, Port Moody (CA)

CA 91099 12/2000  
CA 108005 9/2005

(Continued)

OTHER PUBLICATIONS

Imprint Plus, "solutions 2007 product sampler", 2007.

*Primary Examiner* — Mary Ann Calabrese

(74) *Attorney, Agent, or Firm* — Oyen Wiggs Green &  
Mutala LLP

(73) Assignee: **Ilten Products Ltd.**, Richmond (CA)

(\*\*) Term: **15 Years**

(21) Appl. No.: **29/527,823**

(22) Filed: **May 21, 2015**

(30) **Foreign Application Priority Data**

Nov. 21, 2014 (EM) ..... 002582643

(51) **LOC (10) Cl.** ..... **20-03**

(52) **U.S. Cl.**  
USPC ..... **D20/43**

(58) **Field of Classification Search**

USPC ... D20/10, 15, 43, 44, 99; D6/300, 308, 314  
CPC ..... G09F 1/10; G09F 1/103; G09F 1/12;  
G09F 1/14; G09F 2001/106; G09F 3/18;  
G09F 3/185; G09F 3/20; G09F  
3/201; G09F 3/202; G09F 3/204; G09F  
3/207; G09F 15/0012; G09F  
15/0018; G09F 15/0025; A47G  
1/06; A47G 1/0616; C03B 23/023

See application file for complete search history.

(56) **References Cited**

U.S. PATENT DOCUMENTS

D14,417 S \* 11/1883 De Planque ..... D6/300  
1,400,564 A 12/1921 Metzger  
1,570,368 A \* 1/1926 Zeh ..... C03C 17/02  
40/310

D115,418 S 6/1939 Mueller  
D152,399 S 1/1949 Dwinell

(Continued)

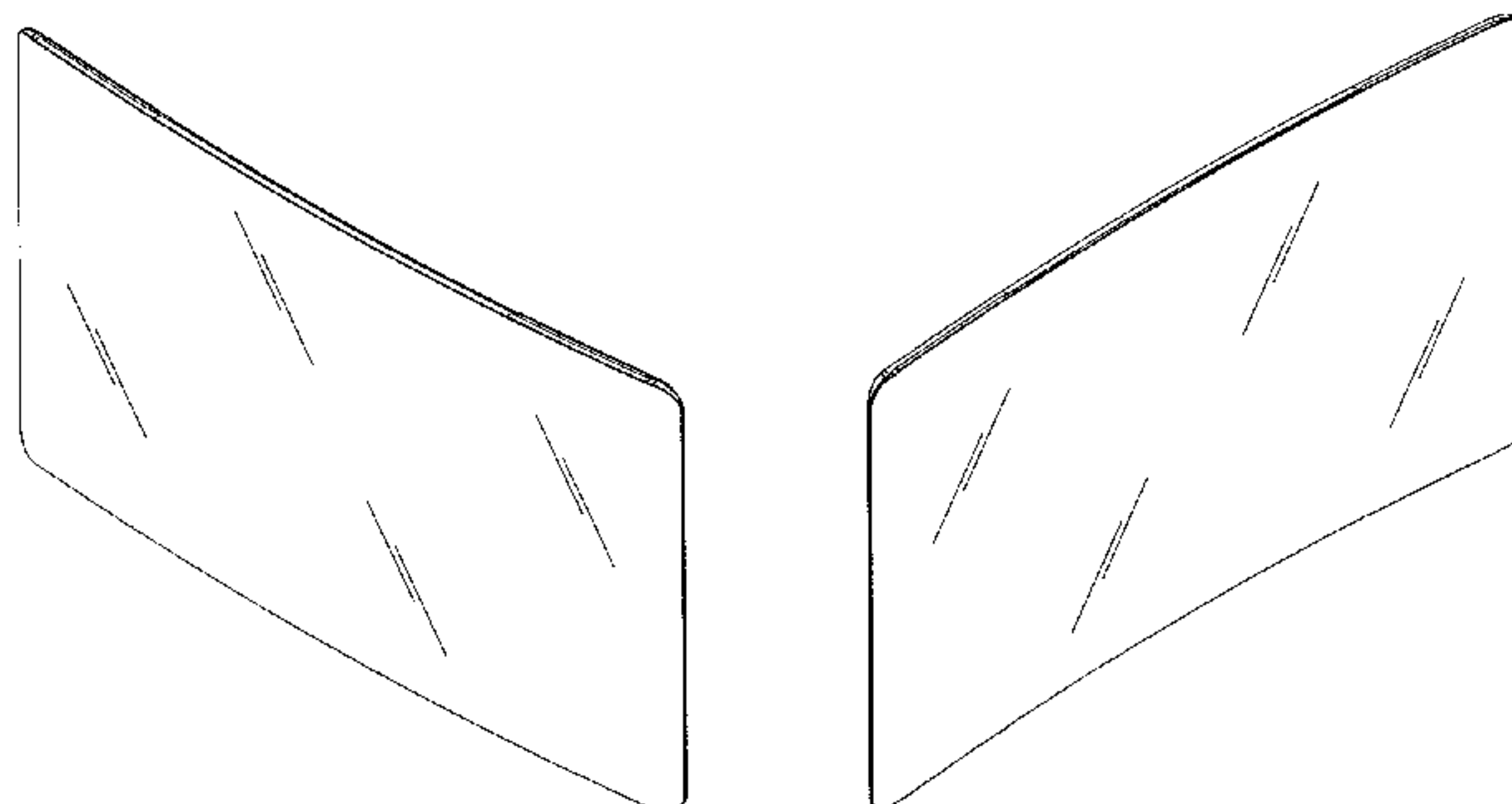
(57) **CLAIM**

The ornamental design for a display holder cover, as shown  
and described.

**DESCRIPTION**

FIG. 1 is a front perspective view of a first embodiment of  
the display holder cover;  
FIG. 2 is a rear perspective view thereof;  
FIG. 3 is a front view thereof;  
FIG. 4 is a rear view thereof;  
FIG. 5 is a top view thereof;  
FIG. 6 is a bottom view thereof;  
FIG. 7 is a first side view thereof;  
FIG. 8 is a second side view thereof;  
FIG. 9 is a front perspective view of a second embodiment  
of the display holder cover;  
FIG. 10 is a rear perspective view thereof;  
FIG. 11 is a front view thereof;  
FIG. 12 is a rear view thereof;  
FIG. 13 is a top view thereof;  
FIG. 14 is a bottom view thereof;  
FIG. 15 is a first side view thereof; and,  
FIG. 16 is a second side view thereof.

**1 Claim, 6 Drawing Sheets**



(56)

References Cited

U.S. PATENT DOCUMENTS

D152,497 S 1/1949 Price et al.  
 2,564,110 A 8/1951 Smith et al.  
 D213,625 S 3/1969 Jensen  
 D234,166 S 1/1975 Silverman  
 D234,274 S 2/1975 Seyler  
 D280,469 S 9/1985 Heyman et al.  
 D281,705 S 12/1985 Rosenberg  
 D303,402 S 9/1989 Brown  
 D320,235 S 9/1991 Hofman  
 5,369,899 A 12/1994 Reeves  
 D382,598 S 8/1997 Schroepfel  
 D382,735 S 8/1997 Zapf  
 D386,209 S 11/1997 Firestone et al.  
 5,714,215 A 2/1998 Sheffield et al.  
 D434,452 S \* 11/2000 Steiner ..... D20/40  
 D448,579 S \* 10/2001 Prade ..... D6/314  
 6,446,372 B1 9/2002 Reeves  
 D480,760 S 10/2003 Wieth et al.  
 D483,653 S 12/2003 Immerman  
 6,726,252 B1 4/2004 Chaikel et al.  
 6,742,294 B1 \* 6/2004 Fossum ..... A47G 1/0616  
 40/611.1  
 D493,640 S \* 8/2004 Nemec ..... D6/703  
 D500,091 S 12/2004 Sjoberg  
 D546,892 S 7/2007 Bruegmann  
 D548,796 S 8/2007 Sachnoff  
 D574,819 S 8/2008 Andre et al.  
 7,421,810 B2 \* 9/2008 Schymura ..... B44C 5/02  
 248/218.1  
 D593,614 S 6/2009 Didulo et al.  
 D595,362 S 6/2009 Maier-Hunke  
 D619,361 S 7/2010 Andre et al.  
 D622,716 S 8/2010 Andre et al.  
 D643,467 S 8/2011 Yi et al.

D644,693 S 9/2011 Braat et al.  
 D649,195 S 11/2011 Yi et al.  
 D649,594 S 11/2011 Yi et al.  
 D667,412 S \* 9/2012 Wang ..... D14/248  
 D716,380 S 10/2014 Burkhart et al.  
 9,061,934 B2 6/2015 Bisson et al.  
 D740,367 S 10/2015 White  
 D744,040 S 11/2015 Schloss  
 9,189,983 B2 11/2015 English  
 9,196,177 B2 11/2015 English  
 2006/0086025 A1 \* 4/2006 Benedict ..... G09F 15/0025  
 40/606.12  
 2008/0226846 A1 \* 9/2008 Hill ..... G09F 1/06  
 428/13  
 2009/0033648 A1 2/2009 Podd et al.  
 2009/0101025 A1 4/2009 Penson  
 2010/0223826 A1 9/2010 Brown  
 2011/0159333 A1 \* 6/2011 Xie ..... H01M 2/1022  
 429/97  
 2013/0337224 A1 \* 12/2013 Odani ..... G06F 1/1626  
 428/130  
 2014/0065366 A1 \* 3/2014 Joubaud ..... C03B 23/023  
 428/141  
 2015/0085220 A1 \* 3/2015 Chen ..... G02F 1/133606  
 349/62  
 2015/0371566 A1 \* 12/2015 Kott ..... G09F 3/207  
 40/1.6

FOREIGN PATENT DOCUMENTS

CA 117158 12/2007  
 CA 133171 5/2011  
 EP 000672845-0001 5/2007  
 EP 000672845-0002 5/2007  
 EP 001641663-0001 12/2009  
 EP 001641663-0002 12/2009

\* cited by examiner

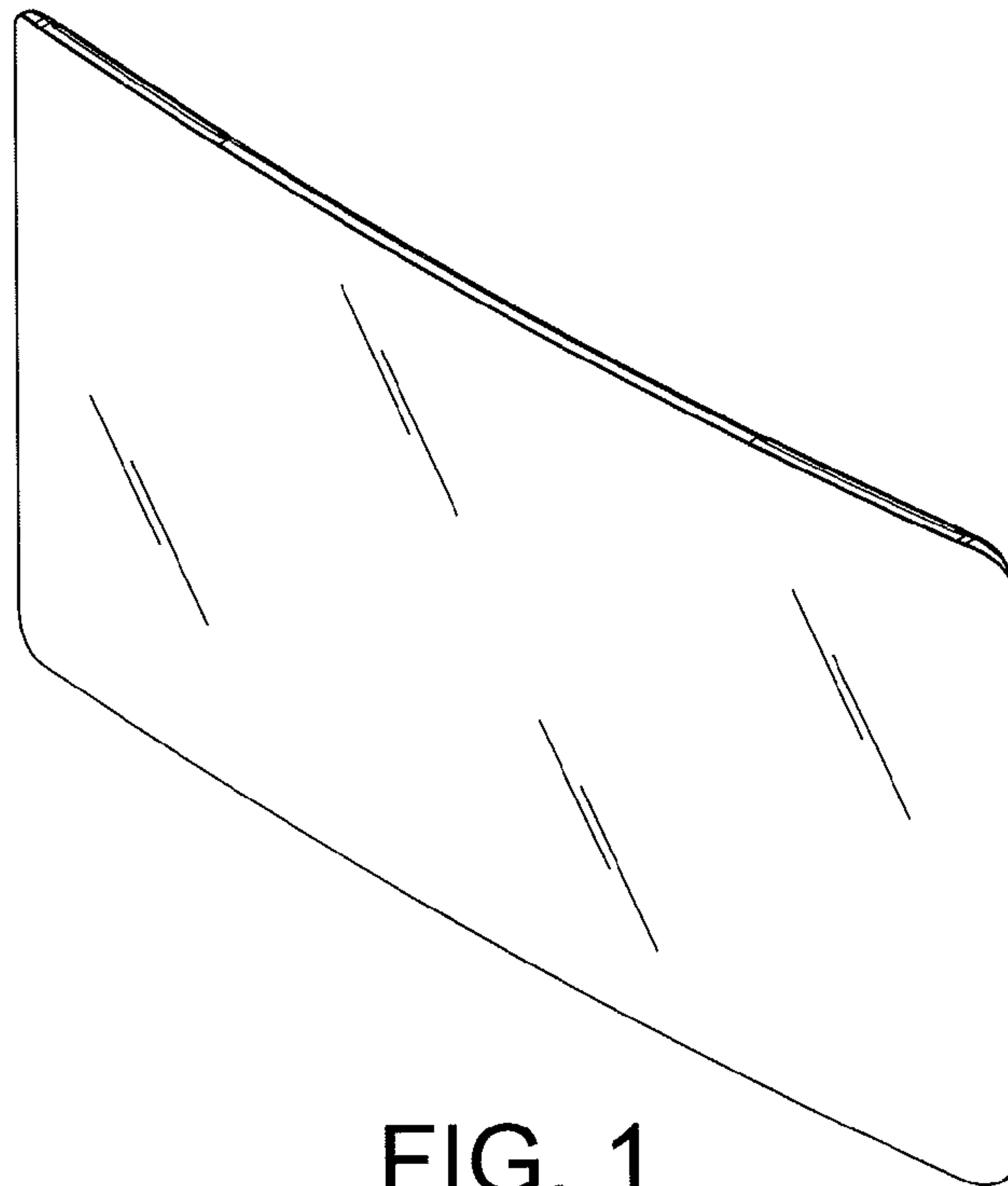


FIG. 1

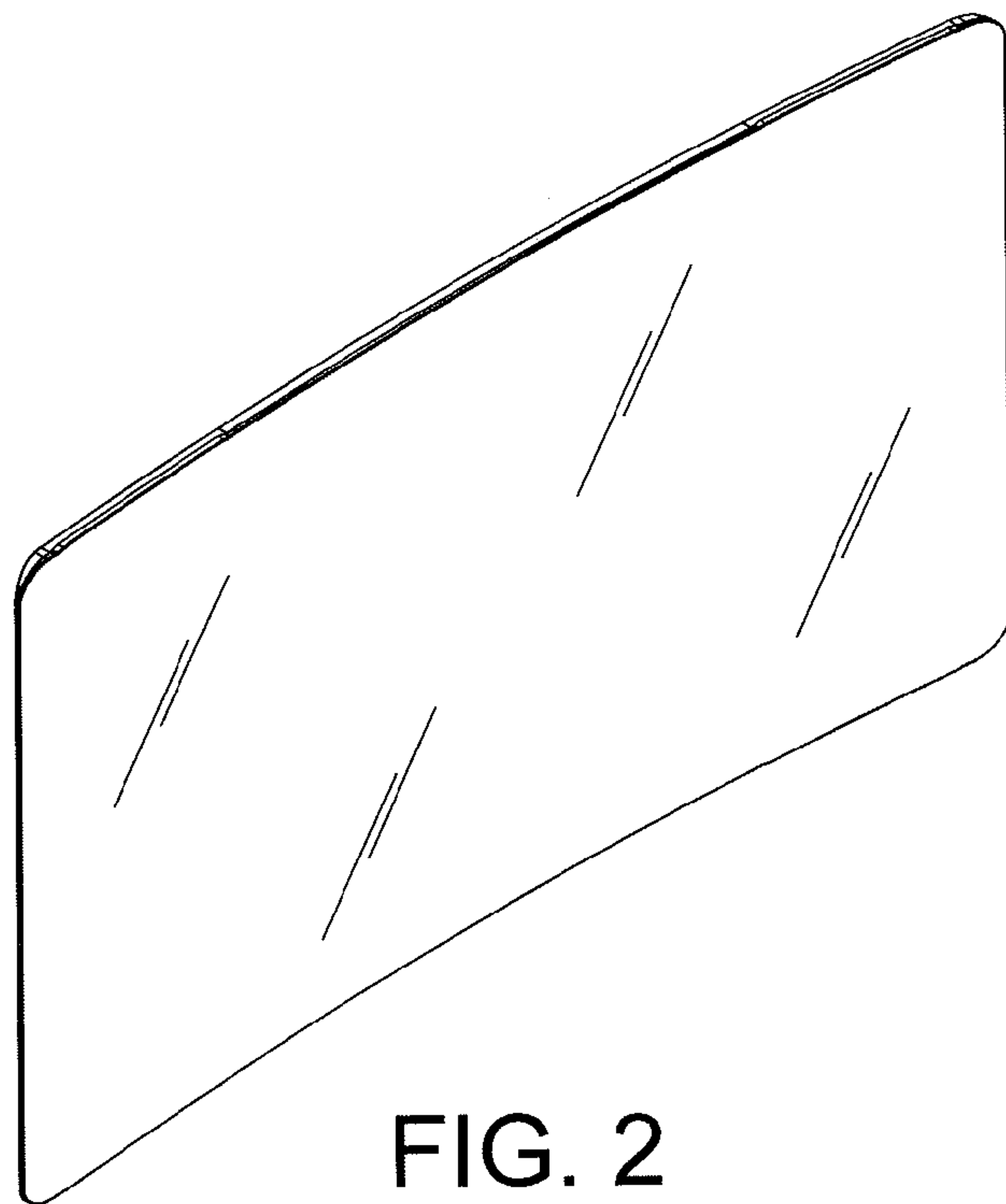


FIG. 2

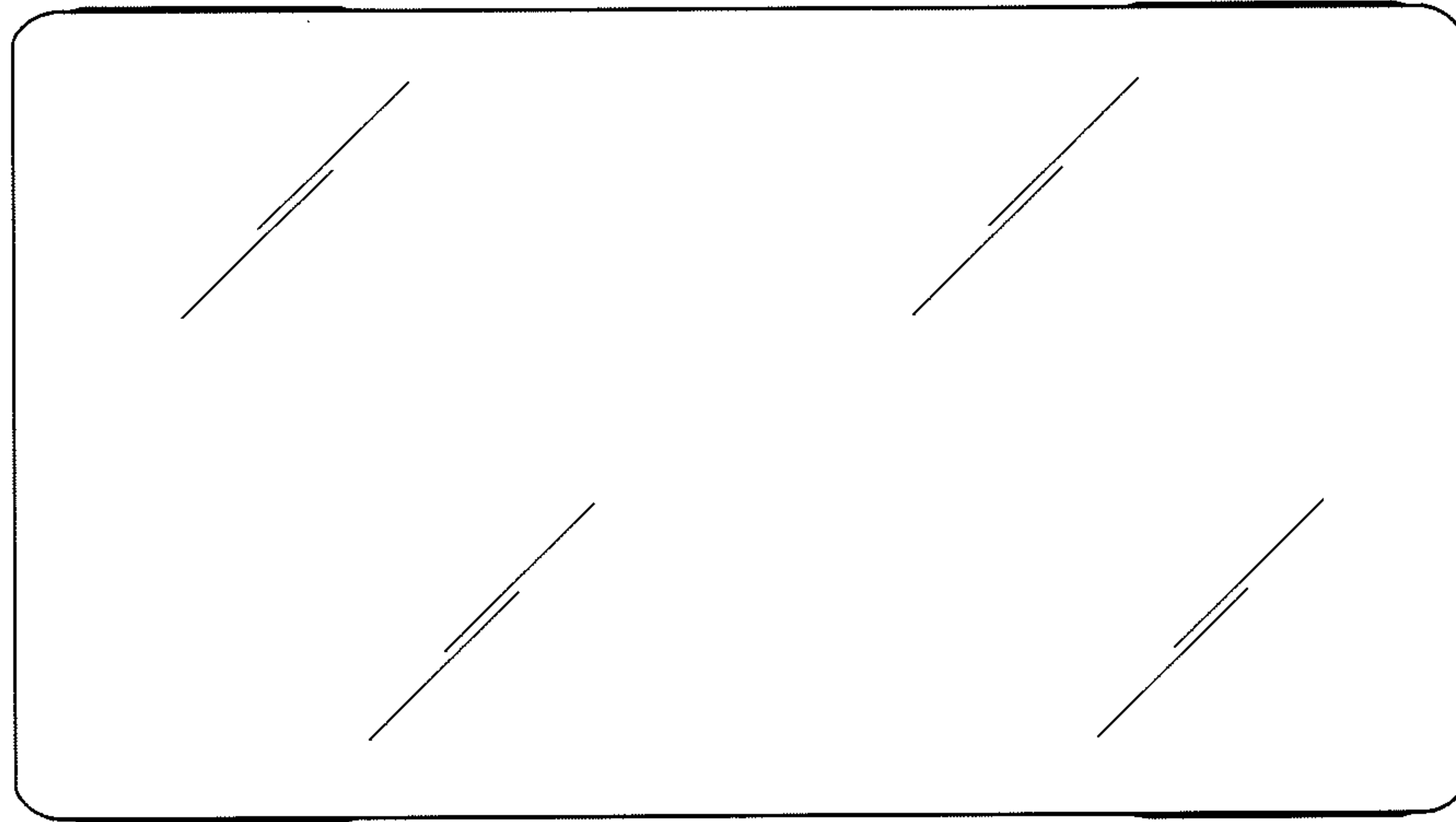


FIG. 3

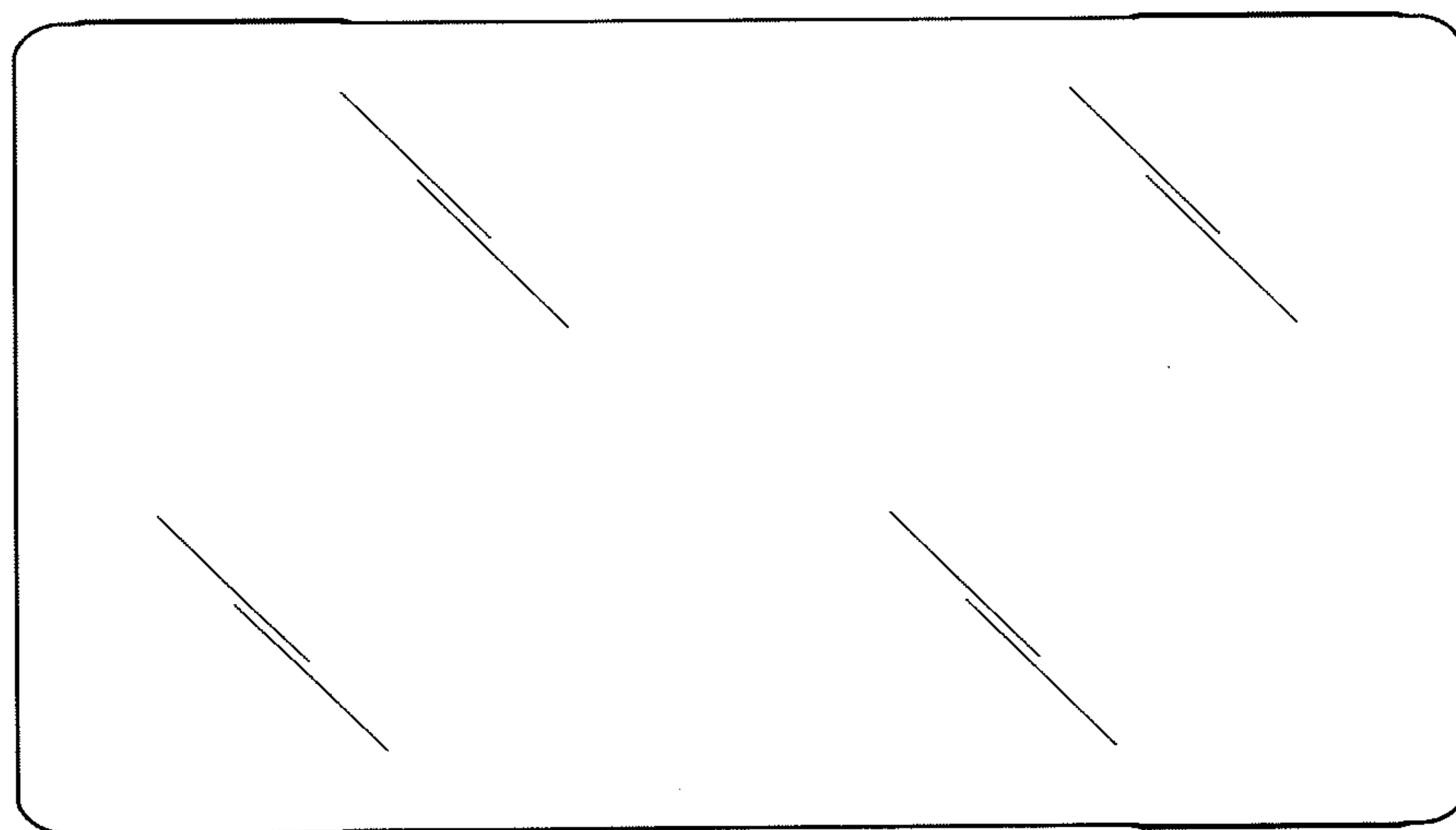


FIG. 4

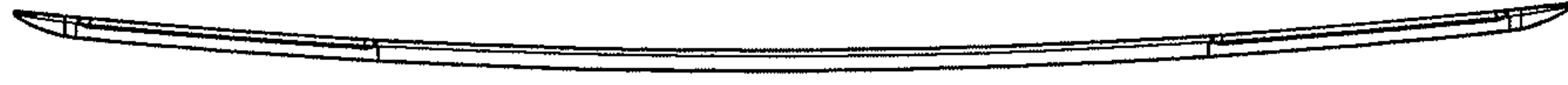


FIG. 5

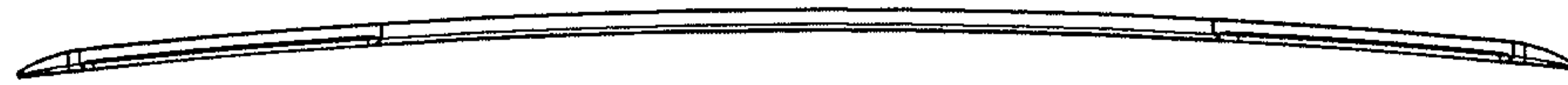


FIG. 6



FIG. 7

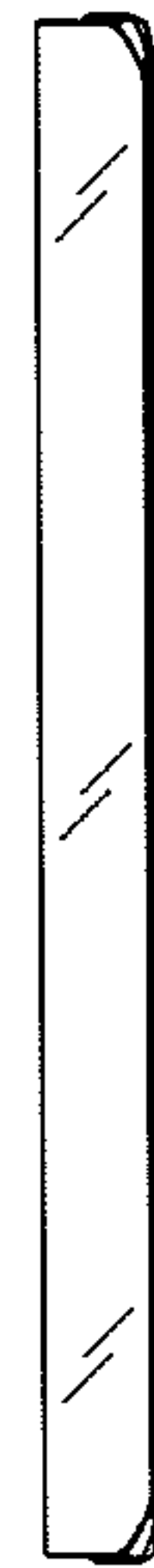


FIG. 8

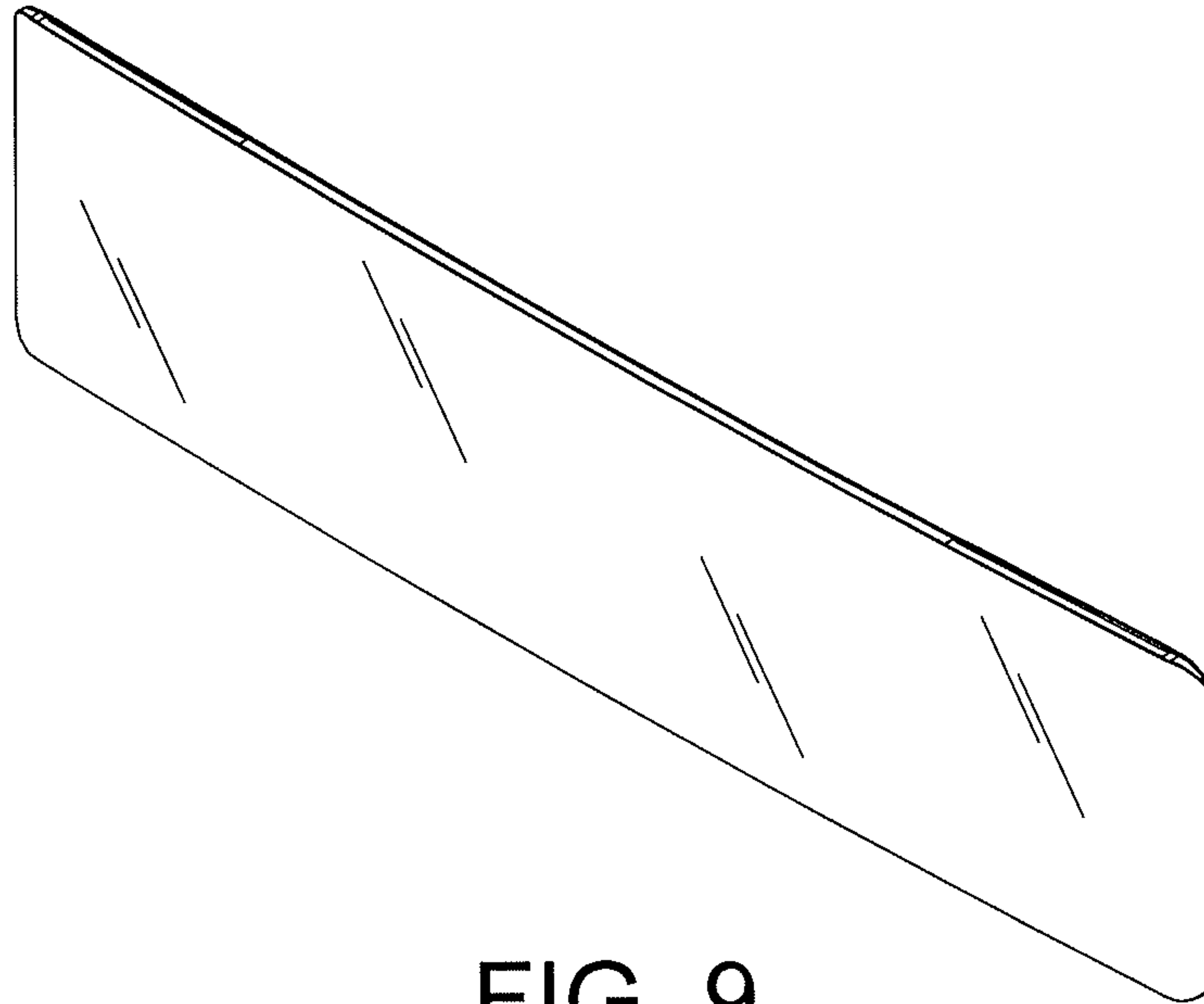


FIG. 9

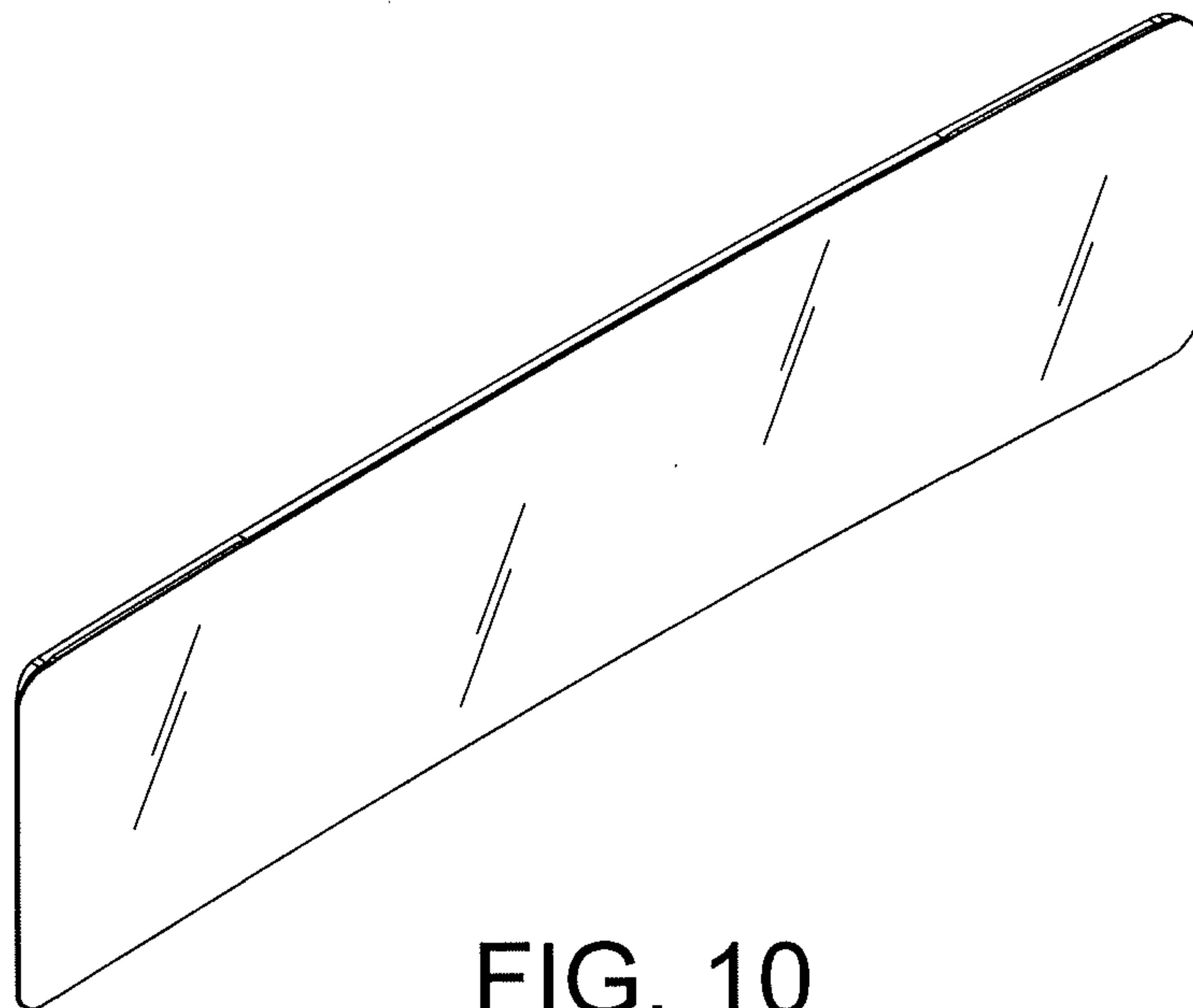


FIG. 10

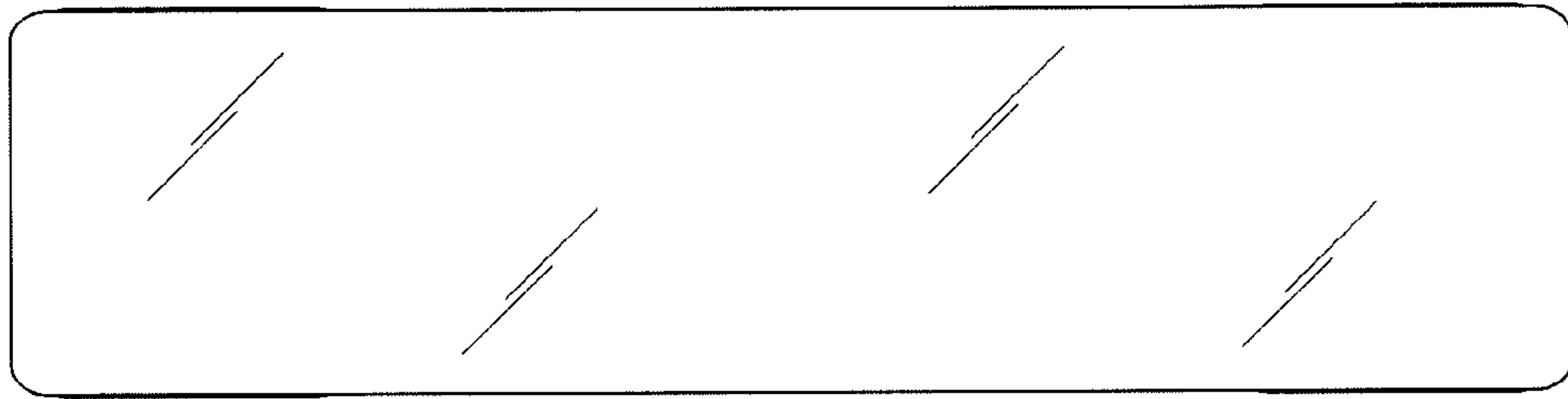


FIG. 11

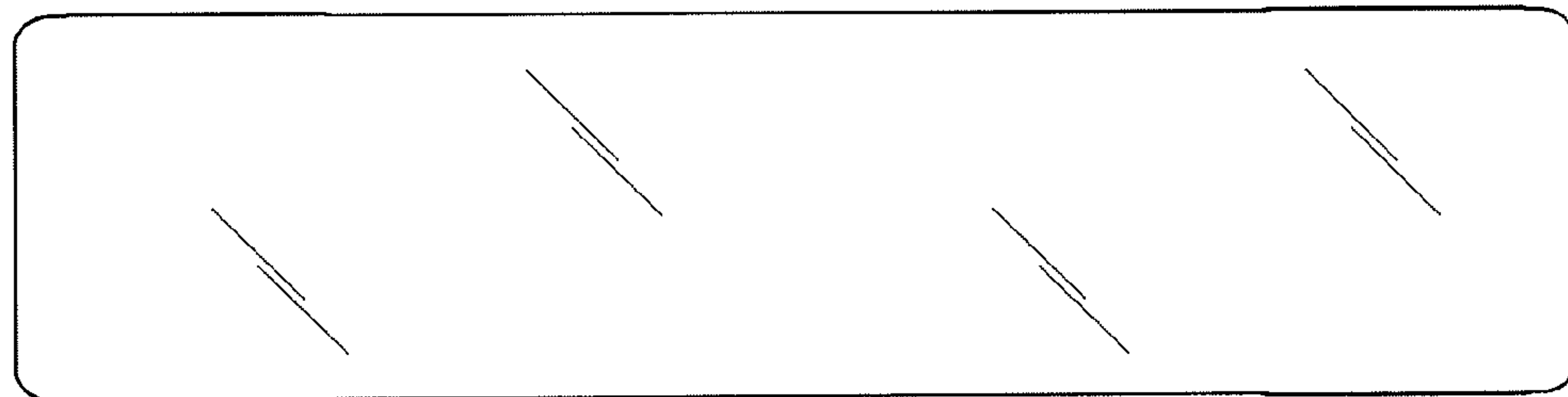


FIG. 12





FIG. 13

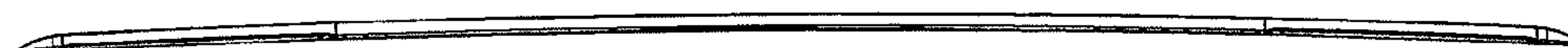


FIG. 14



FIG. 15



FIG. 16