



US00D778363S

(12) **United States Design Patent** (10) **Patent No.:** **US D778,363 S**  
**Piffaretti et al.** (45) **Date of Patent:** **\*\* Feb. 7, 2017**

(54) **DISPLAY UNIT FOR COLOR SAMPLES FOR VEHICLES**

(71) Applicant: **ColorFrog SA**, Zug (CH)

(72) Inventors: **Andrea Piffaretti**, Zug (CH); **Marco Piffaretti**, Rovio (CH)

(73) Assignee: **COLORFROG SA**, Zug (CH)

(\*\*) Term: **14 Years**

(21) Appl. No.: **29/516,061**

(22) Filed: **Jan. 29, 2015**

(30) **Foreign Application Priority Data**

Jul. 30, 2014 (WO) ..... DM/084 229

(51) **LOC (10) Cl.** ..... **20-02**

(52) **U.S. Cl.**  
USPC ..... **D20/35**

(58) **Field of Classification Search**  
USPC ..... D20/10, 13, 19, 29, 35, 42, 99; D1/100,  
D1/101, 106, 127; D6/601; D11/131, 157;  
D19/96; D21/386, 548  
CPC ..... G09F 5/00; G09F 7/00; G09F 13/00;  
G09F 19/00

See application file for complete search history.

(56) **References Cited**

**U.S. PATENT DOCUMENTS**

D218,340 S \* 8/1970 McLaren ..... D12/91  
D374,001 S \* 9/1996 Vance ..... D14/403

D413,362 S \* 8/1999 Linder ..... D21/548  
D490,863 S \* 6/2004 Ramaciotti ..... D12/91  
D503,567 S \* 4/2005 Piffaretti ..... D6/674  
D513,625 S \* 1/2006 Henning ..... D20/13  
D534,592 S \* 1/2007 Hill ..... D21/548  
D643,038 S \* 8/2011 Scheinhutte ..... D14/403  
D687,902 S \* 8/2013 Hunt ..... D21/533  
D737,175 S \* 8/2015 Telaak ..... D12/92

**FOREIGN PATENT DOCUMENTS**

CH 129017 10/2002  
CH 133609 3/2007  
CH 135813 3/2009  
CH 136023 5/2009  
EM 000321609-0001 4/2005

\* cited by examiner

*Primary Examiner* — Mary Ann Calabrese

(74) *Attorney, Agent, or Firm* — Browdy and Neimark, PLLC

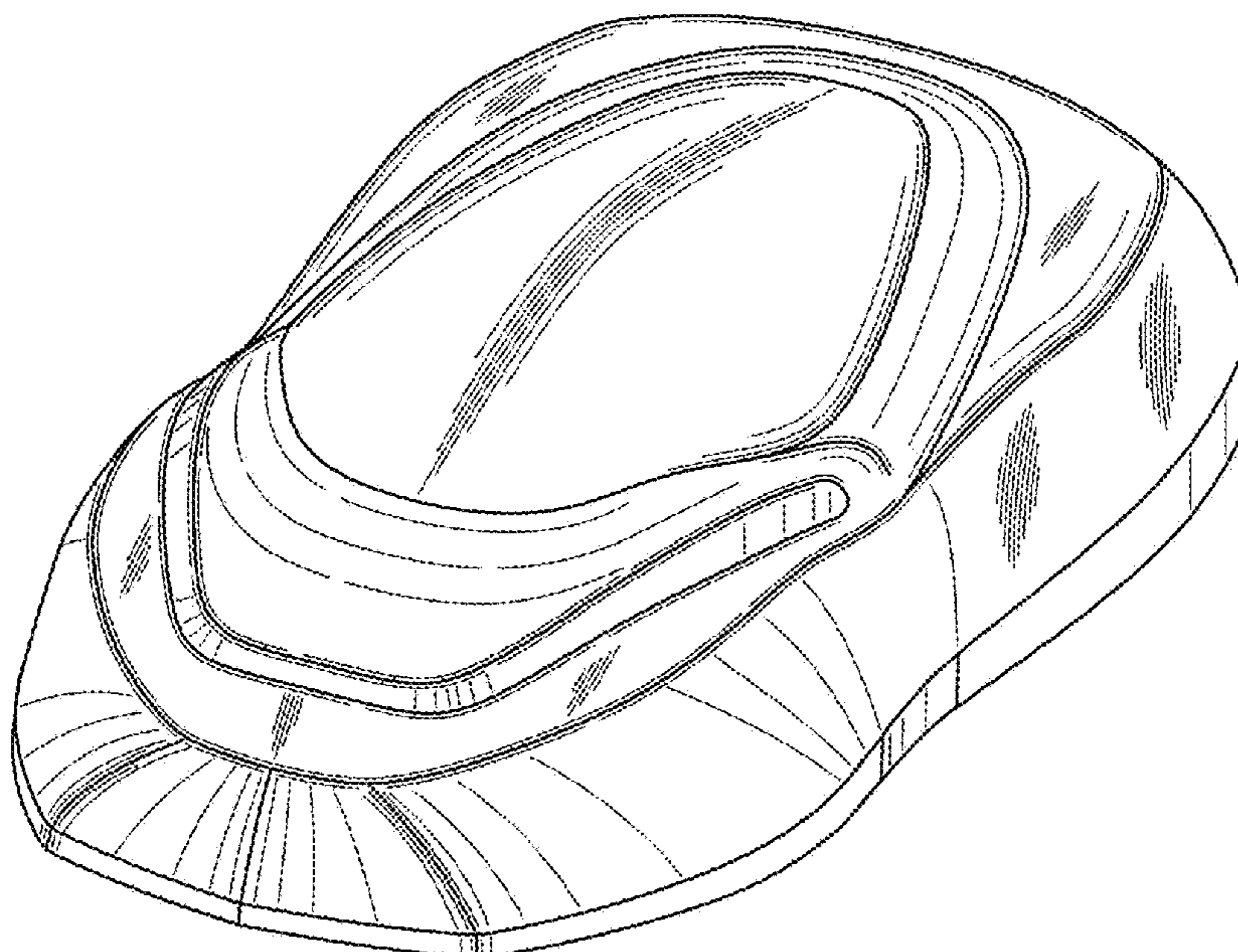
(57) **CLAIM**

The ornamental design for a display unit for color samples for vehicles, as shown and described.

**DESCRIPTION**

FIG. 1 is a perspective view of a display unit for color samples for vehicles according to the present design;  
FIG. 2 is a right side view thereof;  
FIG. 3 is a left side view thereof;  
FIG. 4 is a front view thereof;  
FIG. 5 is a rear view thereof; and,  
FIG. 6 is a top view thereof.

**1 Claim, 6 Drawing Sheets**



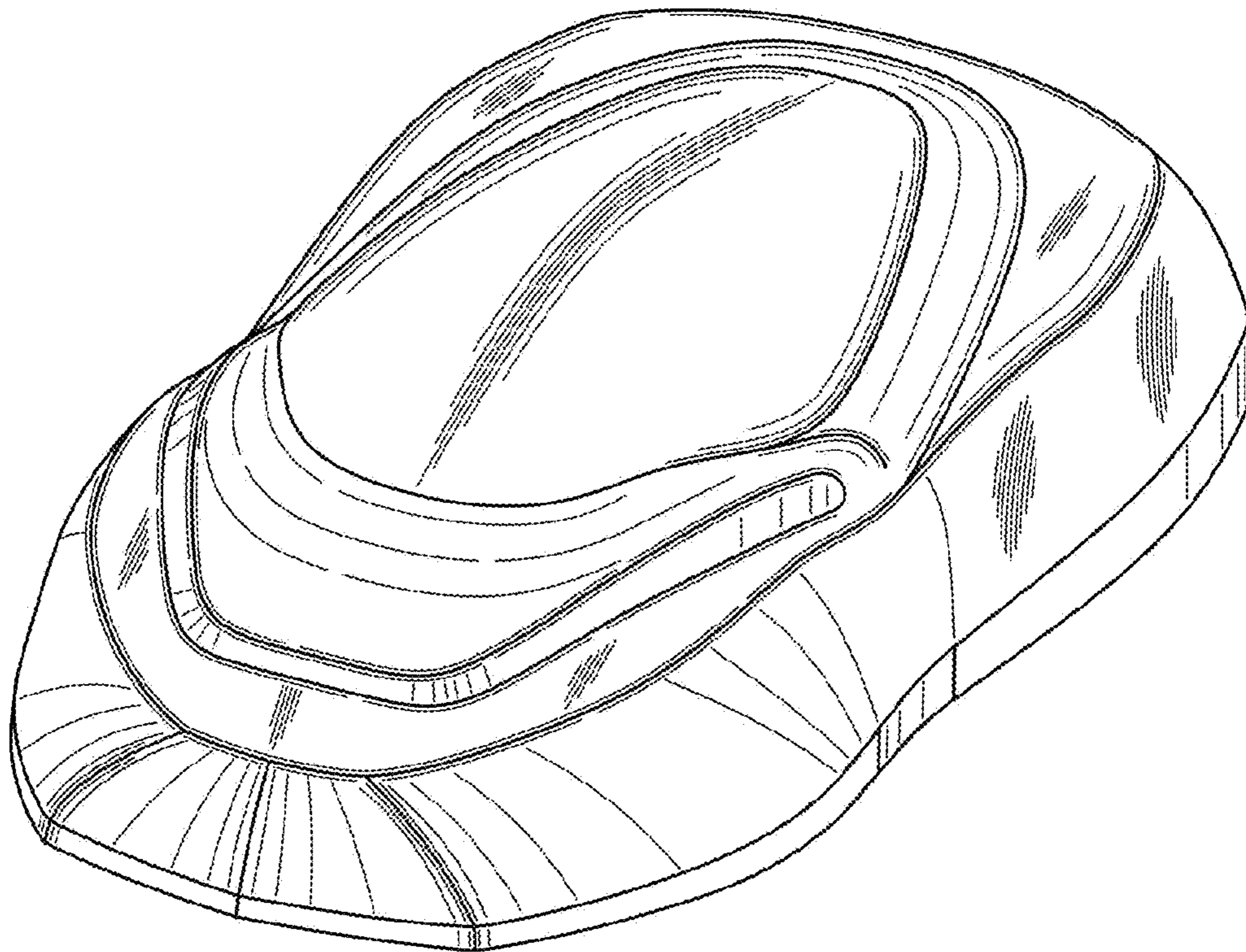


Fig. 1

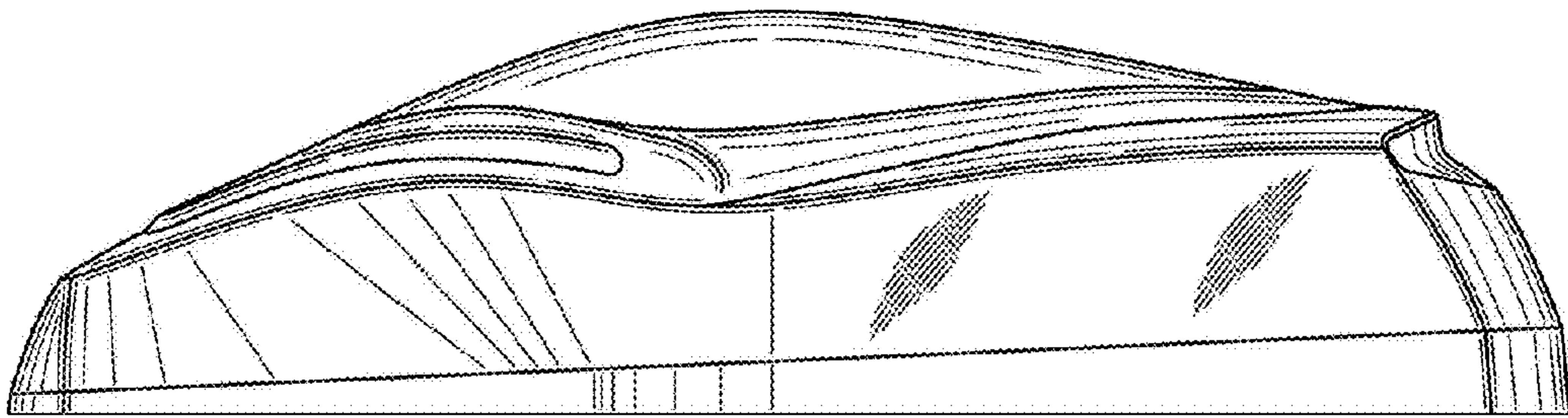


Fig. 2

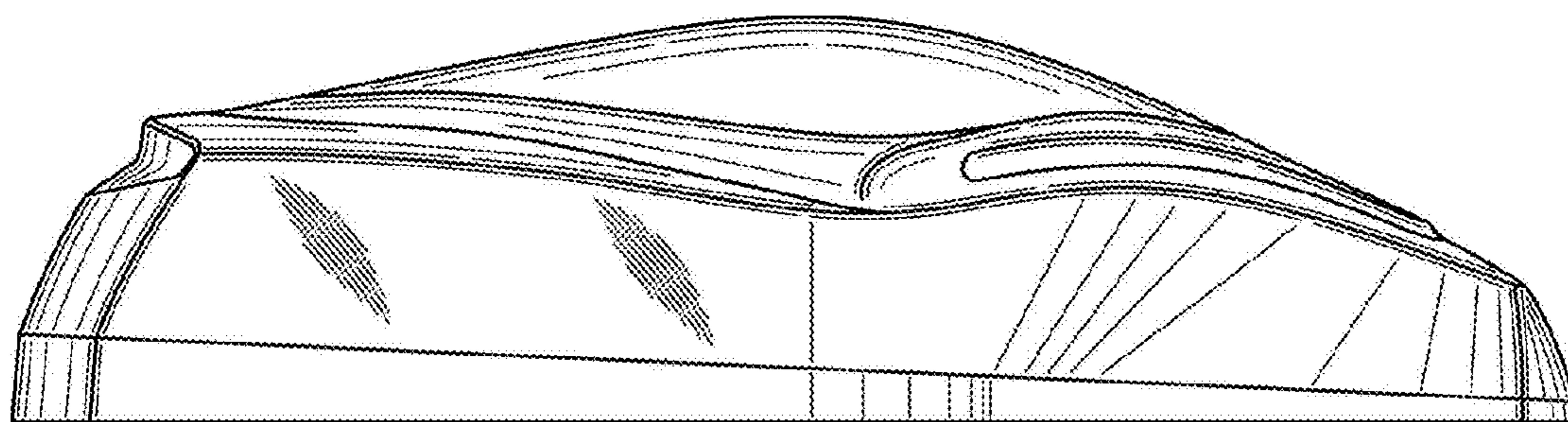


Fig. 3

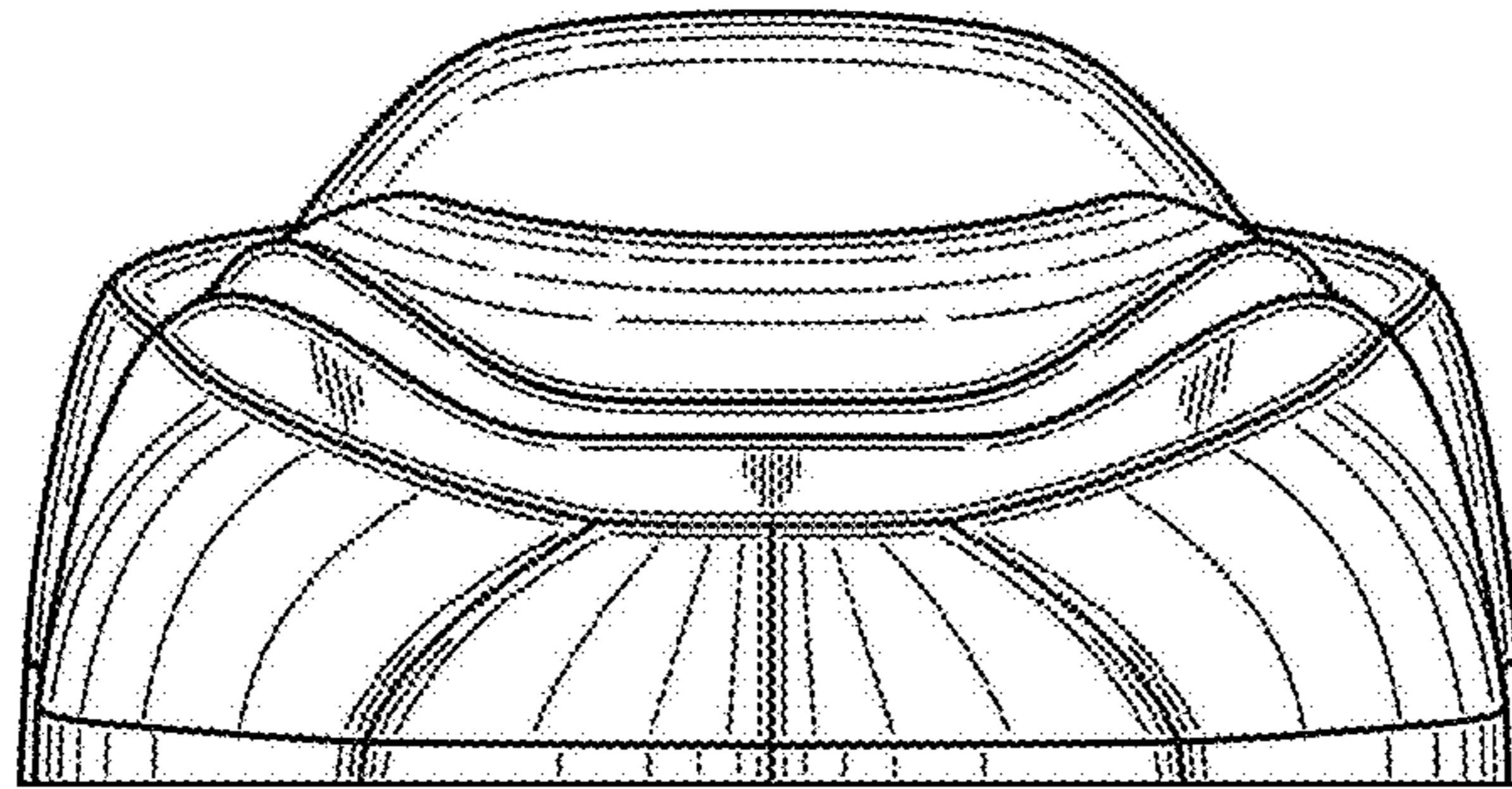


Fig. 4

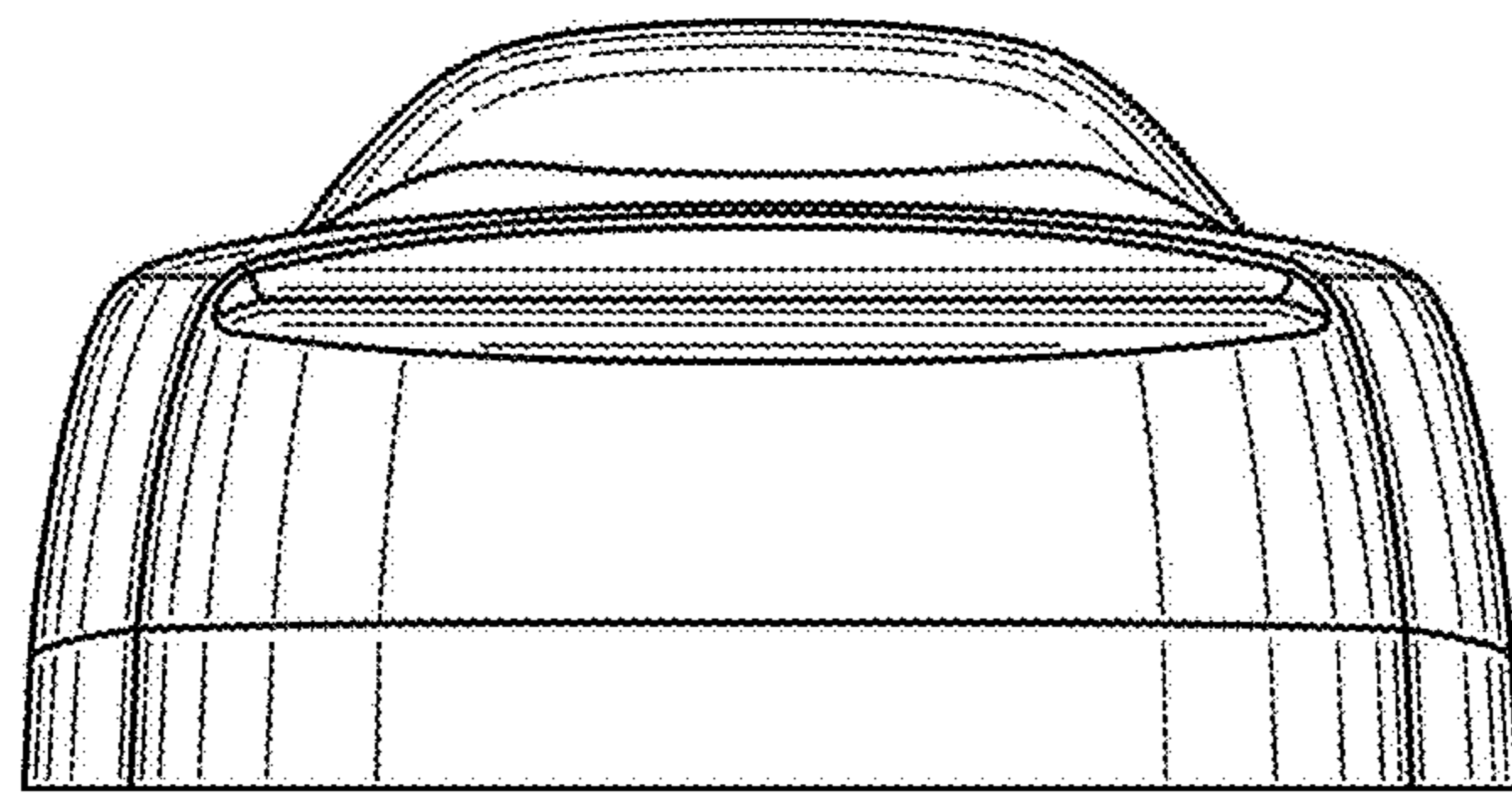


Fig. 5

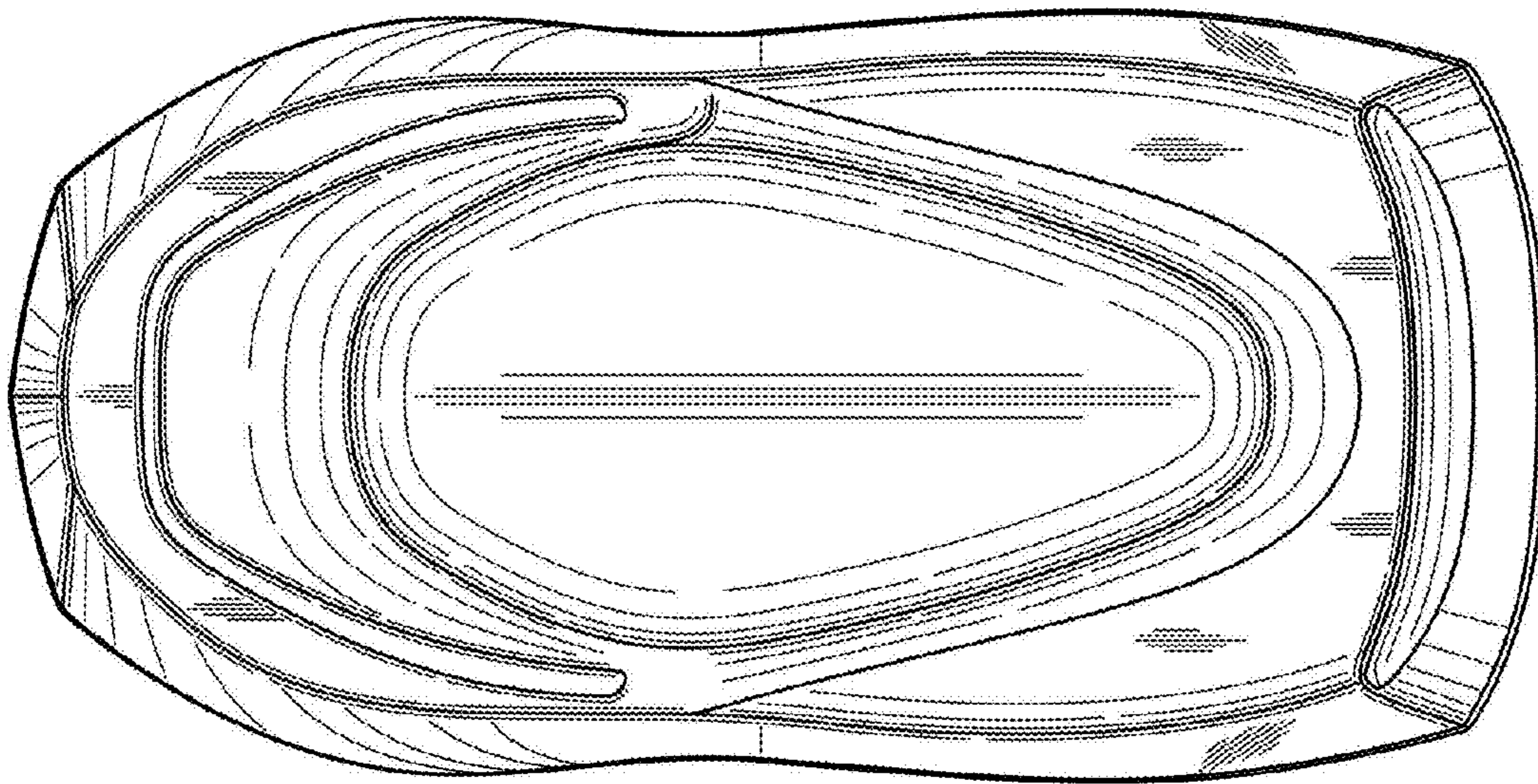


Fig. 6