



US00D778362S

(12) **United States Design Patent** (10) **Patent No.:** **US D778,362 S**
Piffaretti et al. (45) **Date of Patent:** **** Feb. 7, 2017**

(54) **DISPLAY UNIT FOR COLOR SAMPLES FOR VEHICLES**

(71) Applicant: **ColorFrog SA, Zug (CH)**

(72) Inventors: **Andrea Piffaretti, Zug (CH); Marco Piffaretti, Rovio (CH)**

(73) Assignee: **COLORFROG SA, Zug (CH)**

(**) Term: **14 Years**

(21) Appl. No.: **29/516,051**

(22) Filed: **Jan. 29, 2015**

(30) **Foreign Application Priority Data**

Jul. 30, 2014 (WO) DM/084 229

(51) **LOC (10) Cl.** **20-02**

(52) **U.S. Cl.**
USPC **D20/35**

(58) **Field of Classification Search**
USPC D20/10, 13, 19, 29, 35, 42, 99; D1/100,
D1/101, 106, 127; D6/601; D11/131, 157;
D19/96; D21/386, 548
CPC G09F 5/00; G09F 7/00; G09F 13/00;
G09F 19/00

See application file for complete search history.

(56) **References Cited**

U.S. PATENT DOCUMENTS

D218,340 S * 8/1970 McLaren D12/91
D374,001 S * 9/1996 Vance D14/403

D413,362 S * 8/1999 Linder D21/548
D490,863 S * 6/2004 Ramaciotti D12/91
D503,567 S * 4/2005 Piffaretti D6/674
D513,625 S * 1/2006 Henning D20/13
D534,592 S * 1/2007 Hill D21/548
D643,038 S * 8/2011 Scheinhutte D14/403
D687,902 S * 8/2013 Hunt D21/533
D737,175 S * 8/2015 Telaak D12/92

FOREIGN PATENT DOCUMENTS

CH 129017 10/2002
CH 133609 3/2007
CH 135813 3/2009
CH 136023 5/2009
EM 000321609-0001 4/2005

* cited by examiner

Primary Examiner — Mary Ann Calabrese

(74) *Attorney, Agent, or Firm* — Browdy and Neimark, PLLC

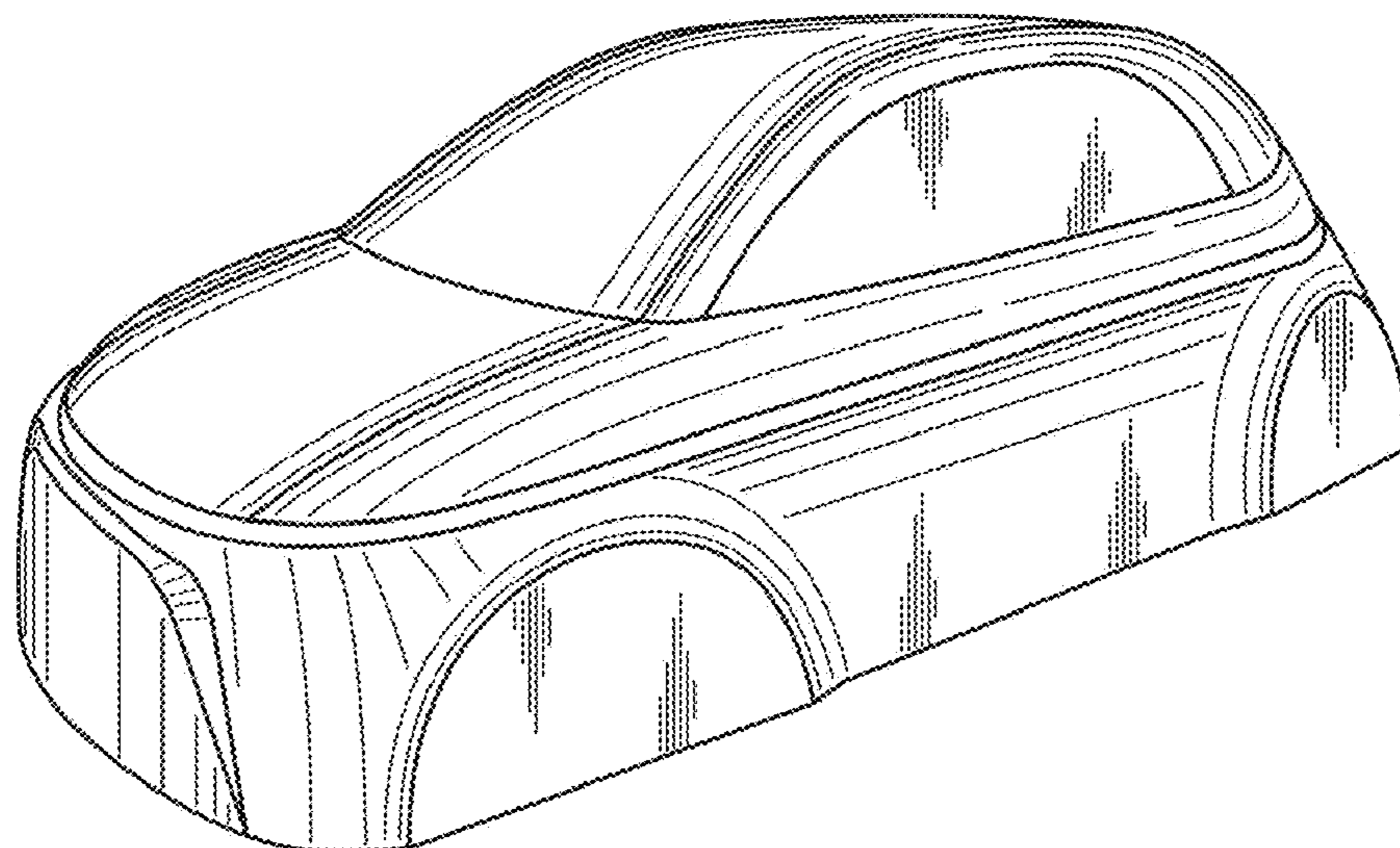
(57) **CLAIM**

The ornamental design for a display unit for color samples for vehicles, as shown and described.

DESCRIPTION

FIG. 1 is a perspective view of a display unit for color samples for vehicles according to the present design;
FIG. 2 is a right side view thereof;
FIG. 3 is a left side view thereof;
FIG. 4 is a front view thereof;
FIG. 5 is a rear view thereof; and,
FIG. 6 is a top view thereof.

1 Claim, 6 Drawing Sheets



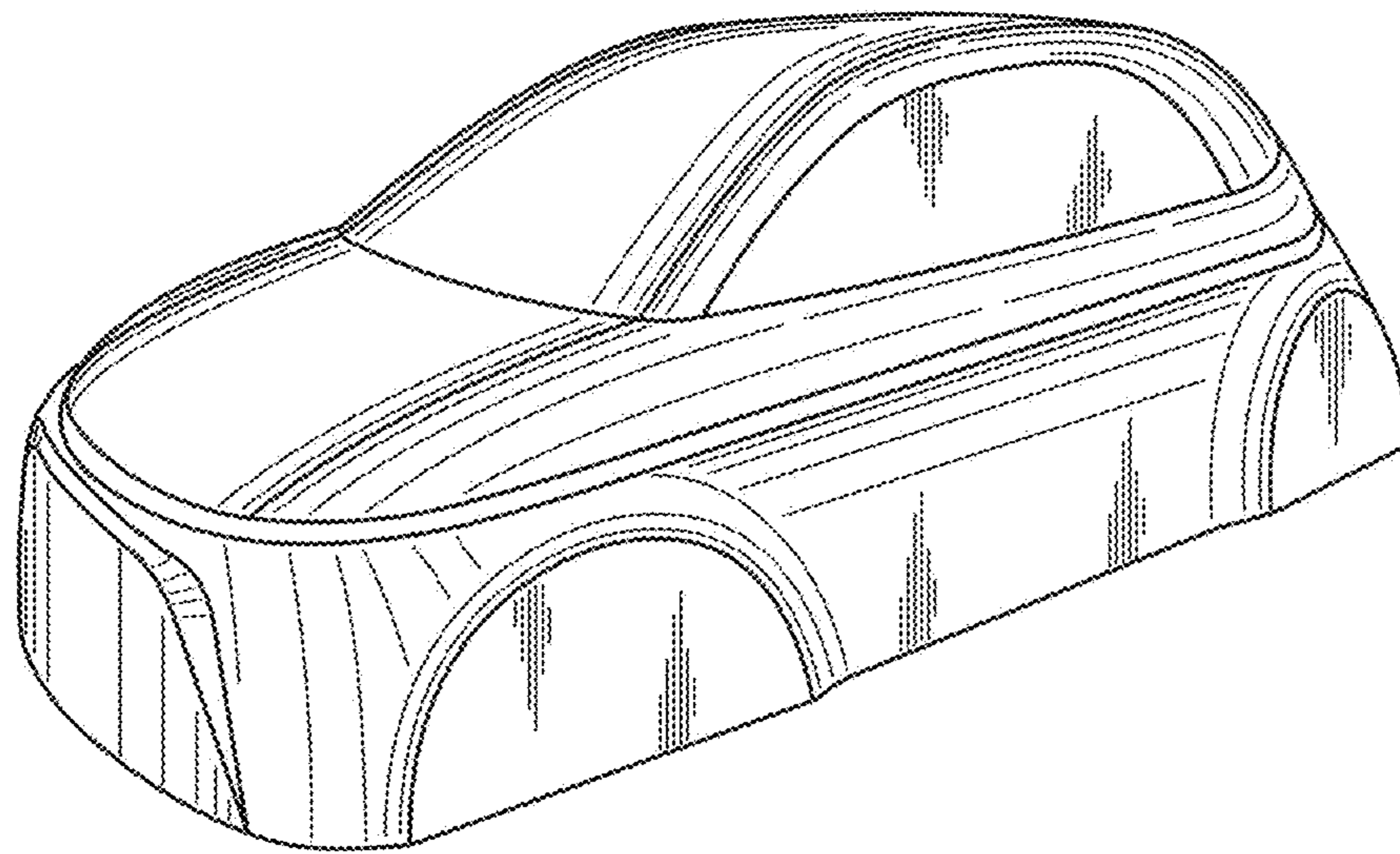


Fig. 1

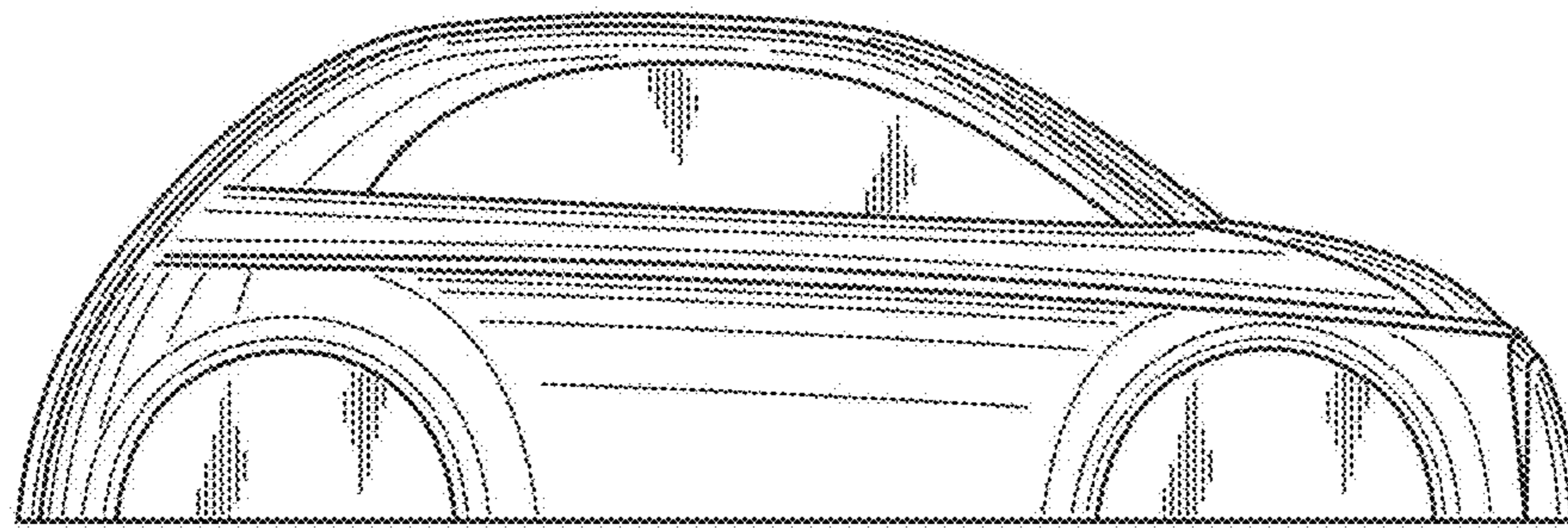


Fig. 2

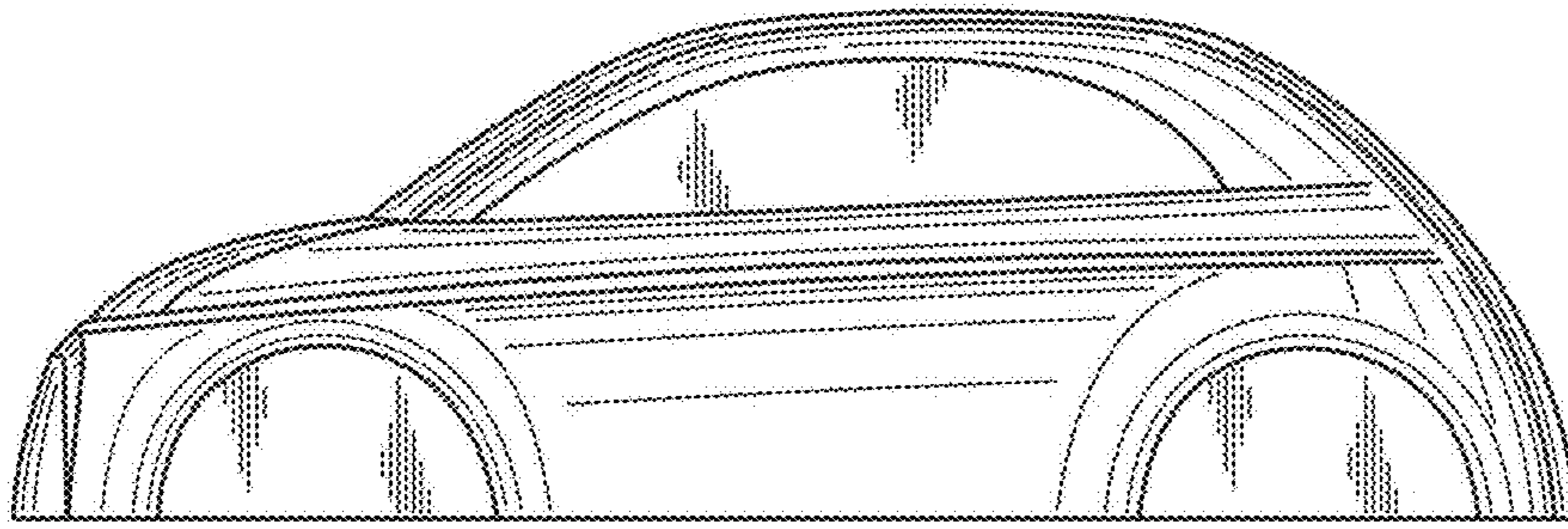


Fig. 3

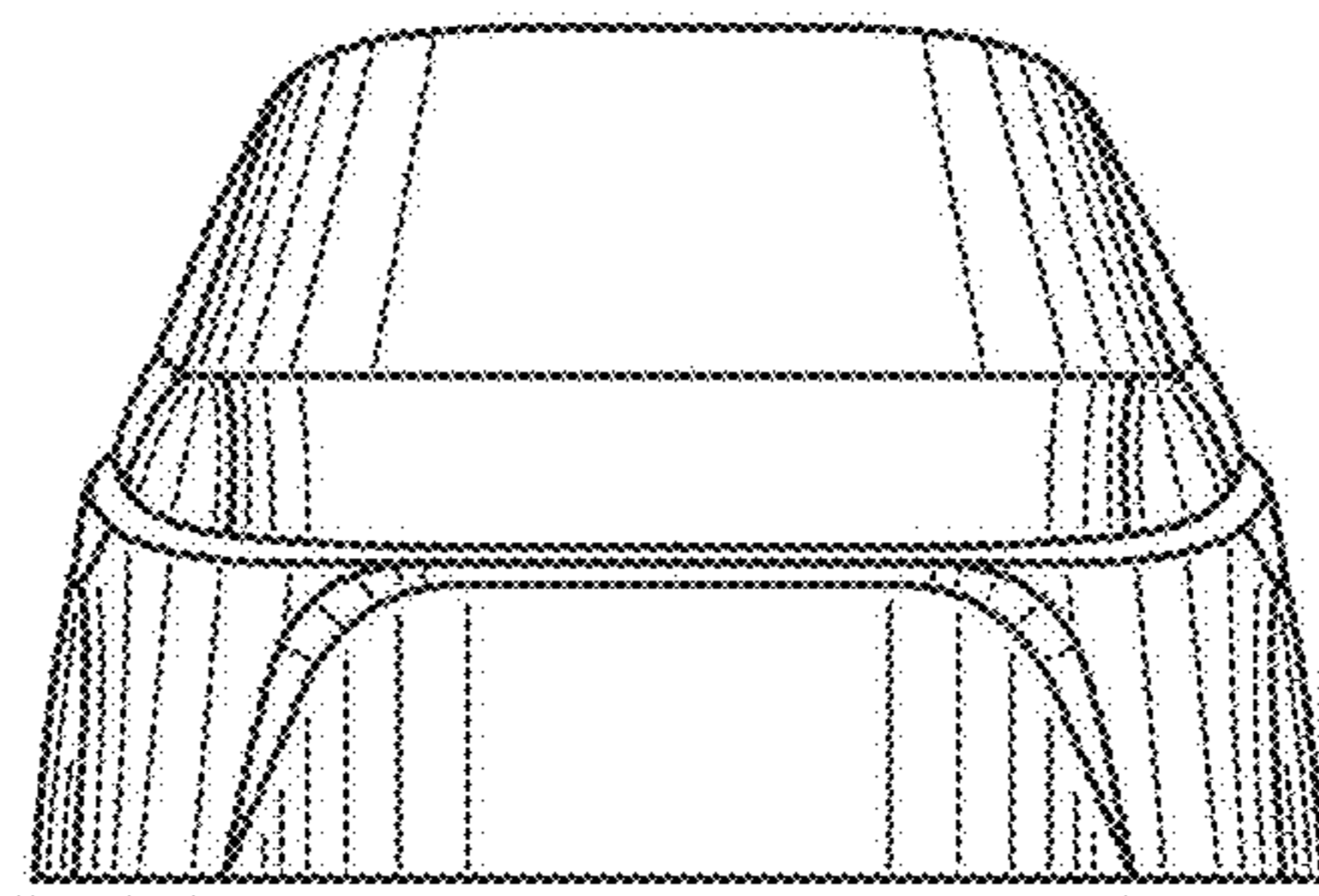


Fig. 4

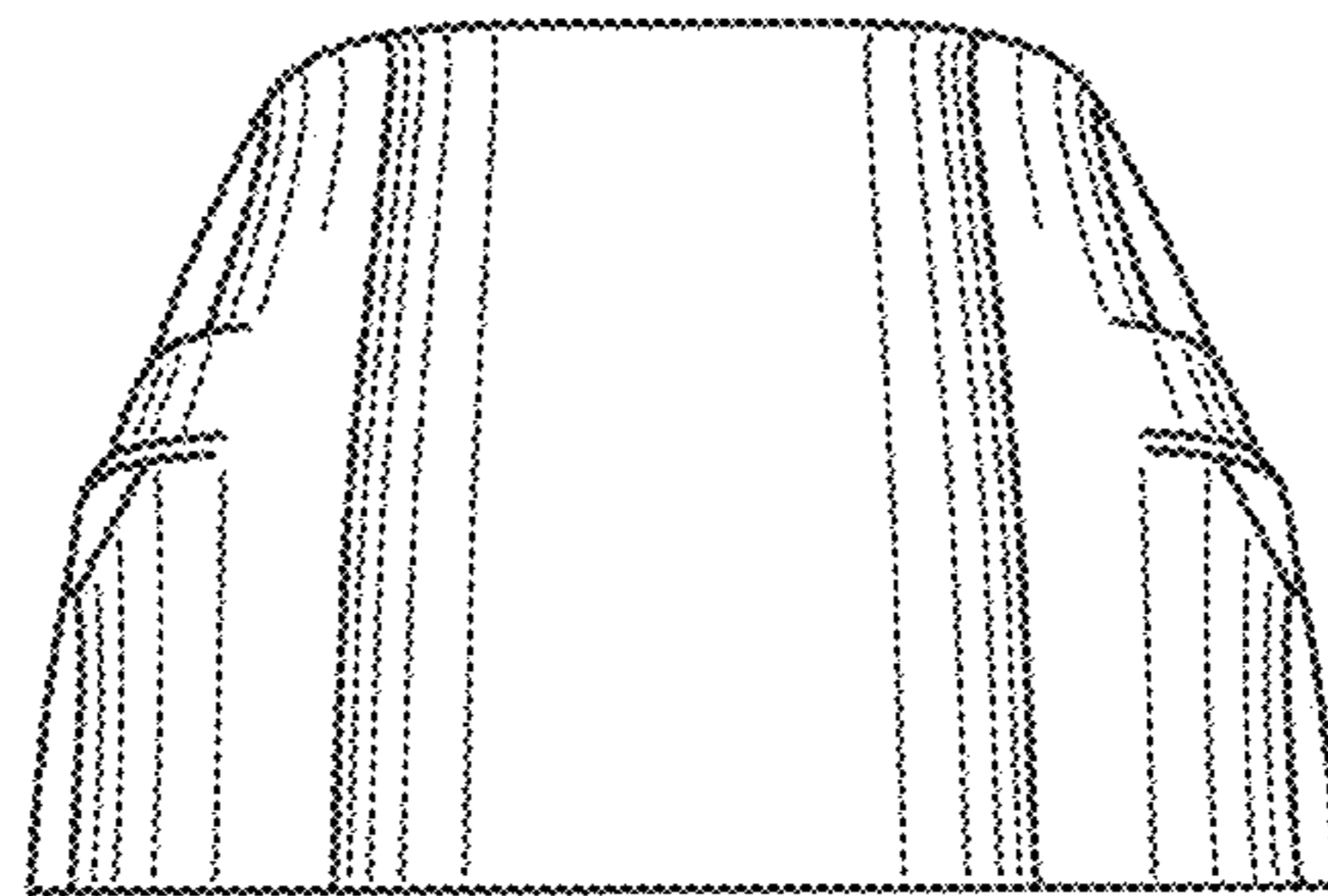


Fig. 5

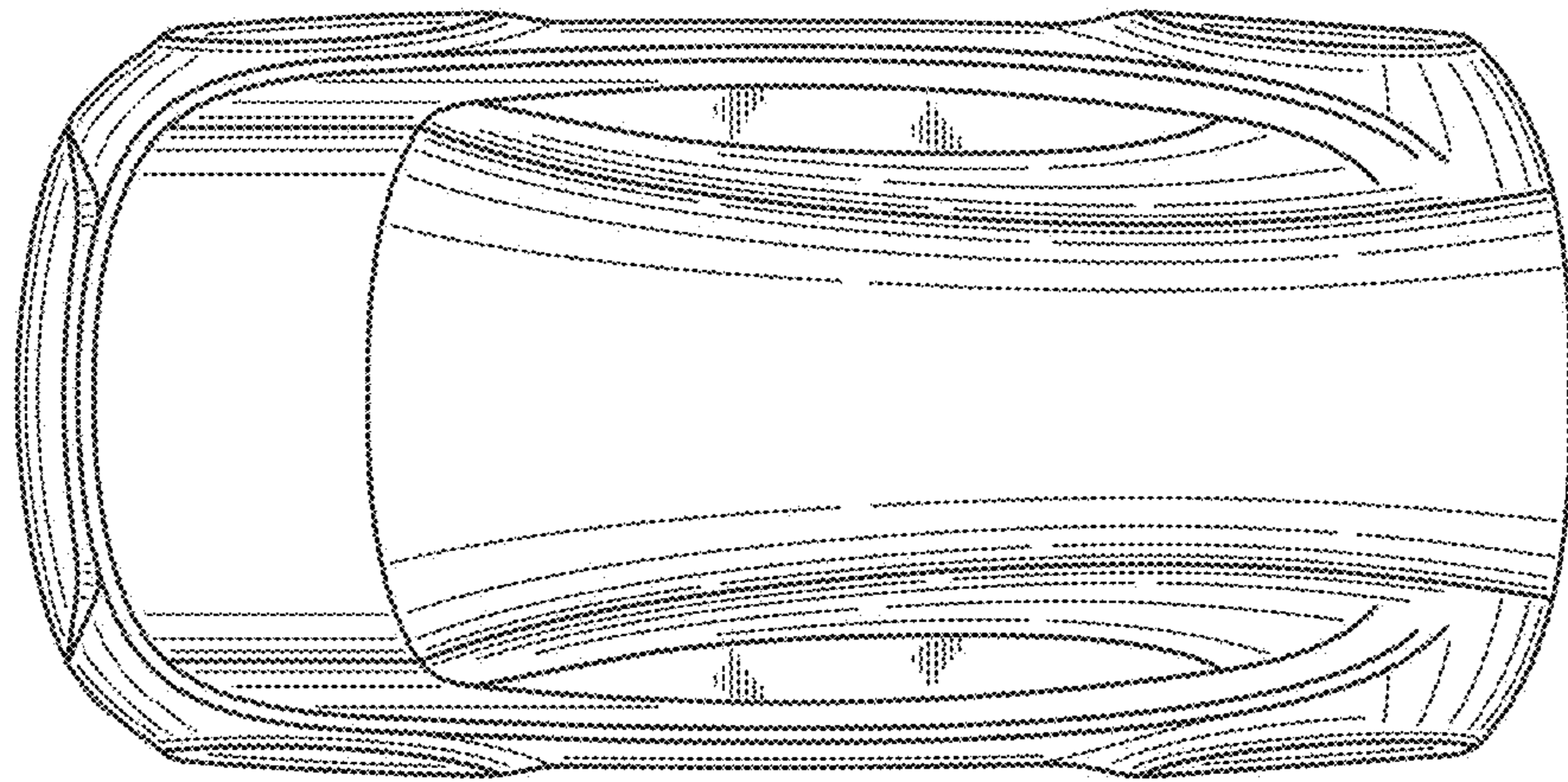


Fig. 6