



US00D778359S

(12) **United States Design Patent** (10) **Patent No.:** **US D778,359 S**
Piffaretti et al. (45) **Date of Patent:** **** Feb. 7, 2017**

(54) **DISPLAY UNIT FOR COLOR SAMPLES**

D327,333 S * 6/1992 Elmer D20/10
6,669,199 B2 * 12/2003 Vesco A63F 1/02
273/293
D760,847 S * 7/2016 Clahsen D21/386

(71) Applicant: **ColorFrog SA**, Zug (CH)

(72) Inventors: **Andrea Piffaretti**, Zug (CH); **Marco Piffaretti**, Rovio (CH)

FOREIGN PATENT DOCUMENTS

(73) Assignee: **COLORFROG SA**, Zug (CH)

CH 129017 10/2002
CH 133609 3/2007
CH 135813 3/2009
CH 136023 5/2009
EM 000321609-0001 4/2005

(**) Term: **14 Years**

* cited by examiner

(21) Appl. No.: **29/516,053**

(22) Filed: **Jan. 29, 2015**

Primary Examiner — Mary Ann Calabrese

(30) **Foreign Application Priority Data**

(74) *Attorney, Agent, or Firm* — Browdy and Neimark, PLLC

Jul. 30, 2014 (WO) DM/084 229

(51) **LOC (10) Cl.** **20-02**

(57) **CLAIM**

(52) **U.S. Cl.**

The ornamental design for a display unit for color samples, as shown and described.

USPC **D20/10**

(58) **Field of Classification Search**

USPC D20/10, 13, 19, 29, 35, 42, 99; D1/100, D1/101, 106, 127; D6/601; D11/131, 157; D19/96; D21/386, 548; D28/8.1

DESCRIPTION

CPC G09F 5/00; G09F 7/00; G09F 13/00; G09F 19/00

FIG. 1 is a perspective view of a display unit for color samples according to the present design; FIG. 2 is a top view thereof; FIG. 3 is a left side view thereof; FIG. 4 is a right side view thereof; FIG. 5 is a front view thereof; and, FIG. 6 is a rear view thereof.

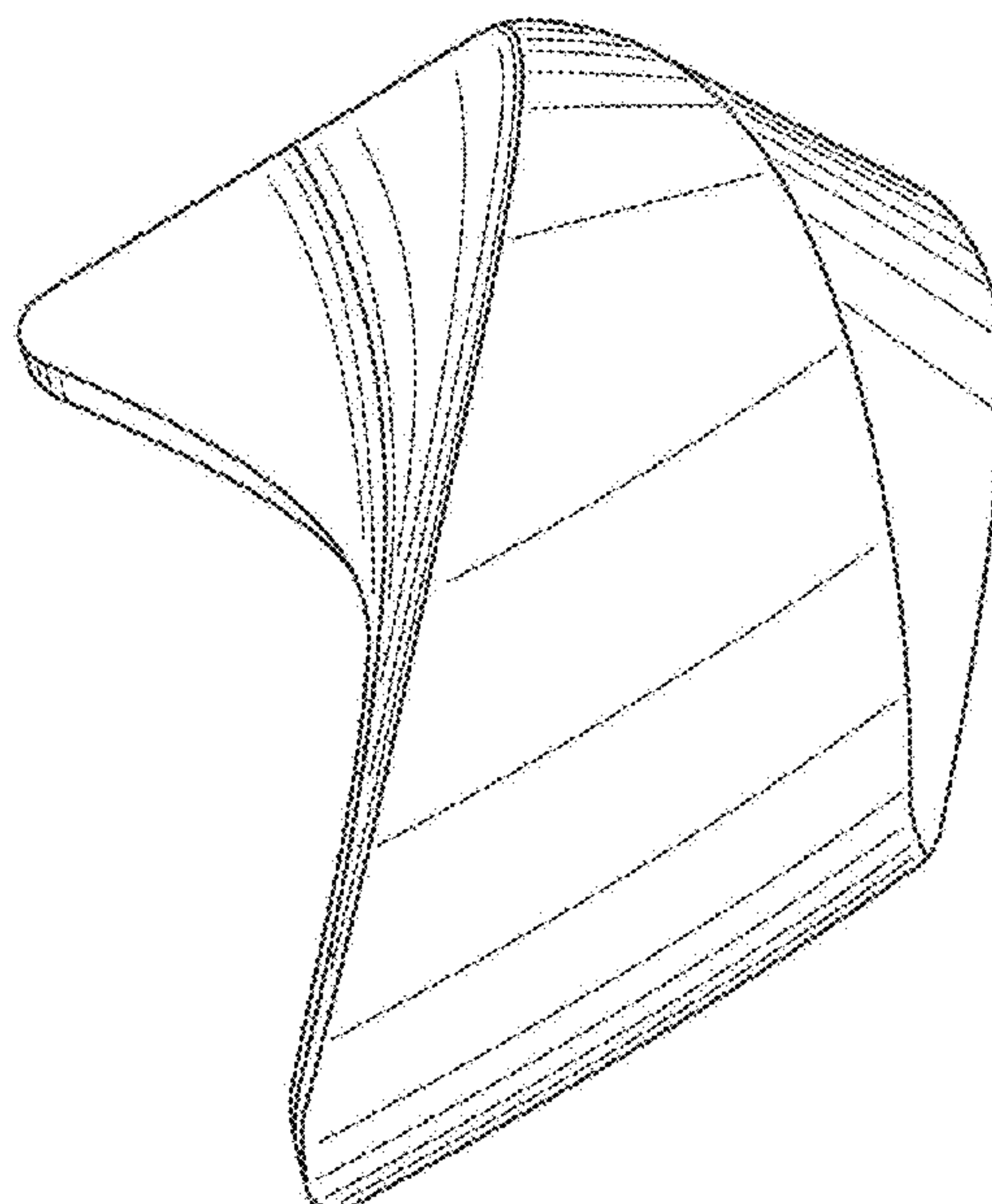
See application file for complete search history.

(56) **References Cited**

U.S. PATENT DOCUMENTS

1 Claim, 6 Drawing Sheets

D201,229 S * 5/1965 Burke D24/101
D317,840 S * 7/1991 Jagdat D6/601



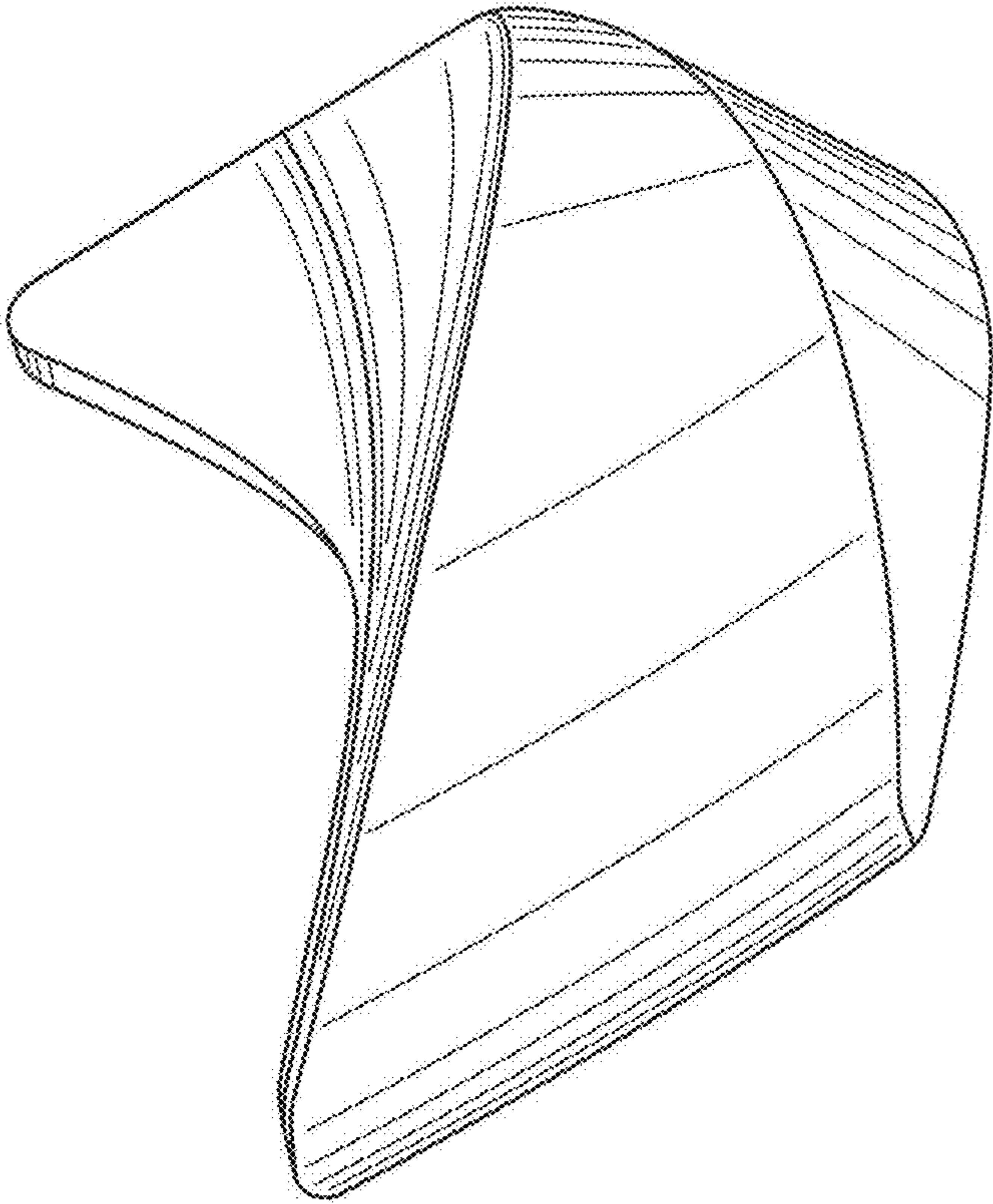


Fig. 1

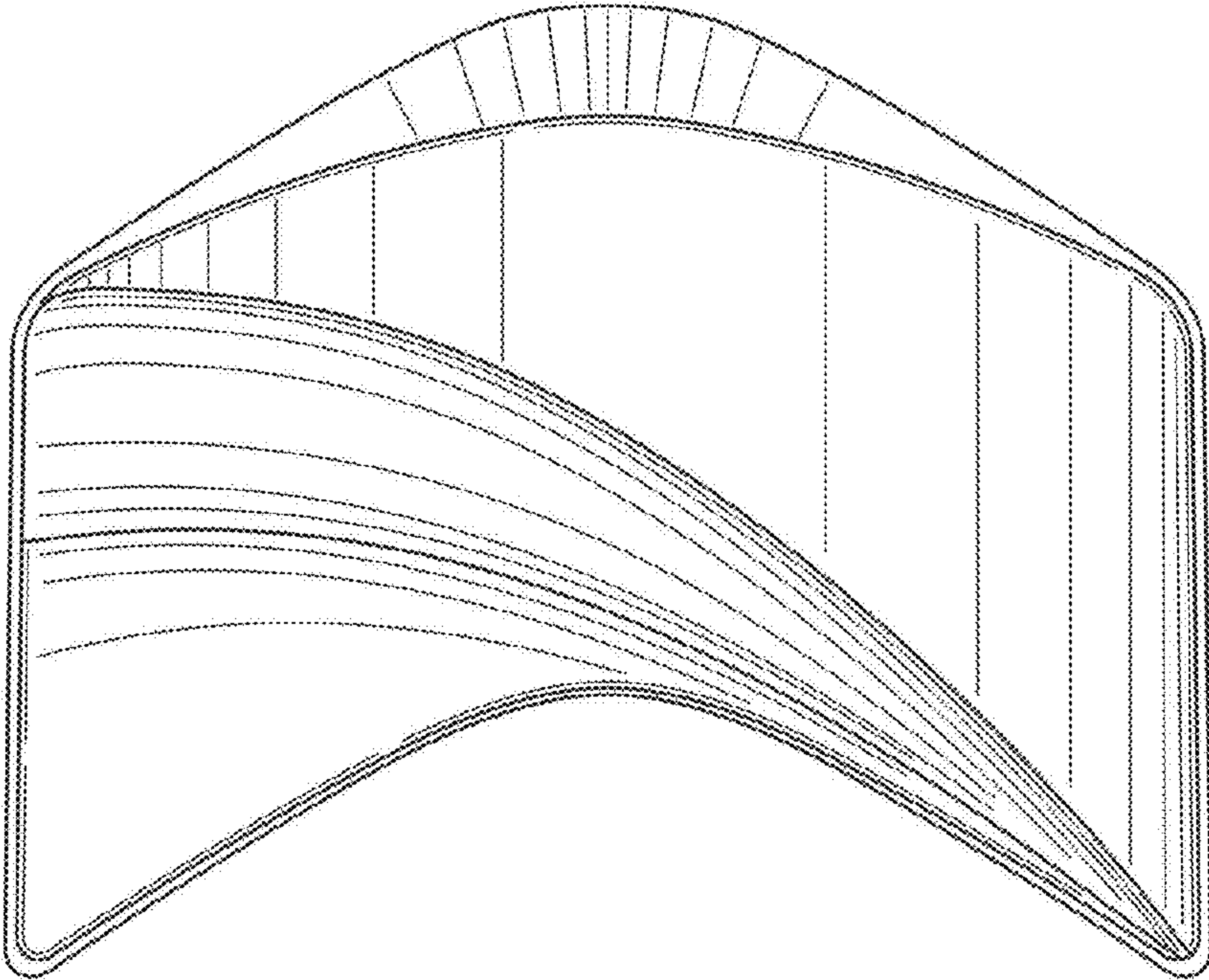


Fig. 2

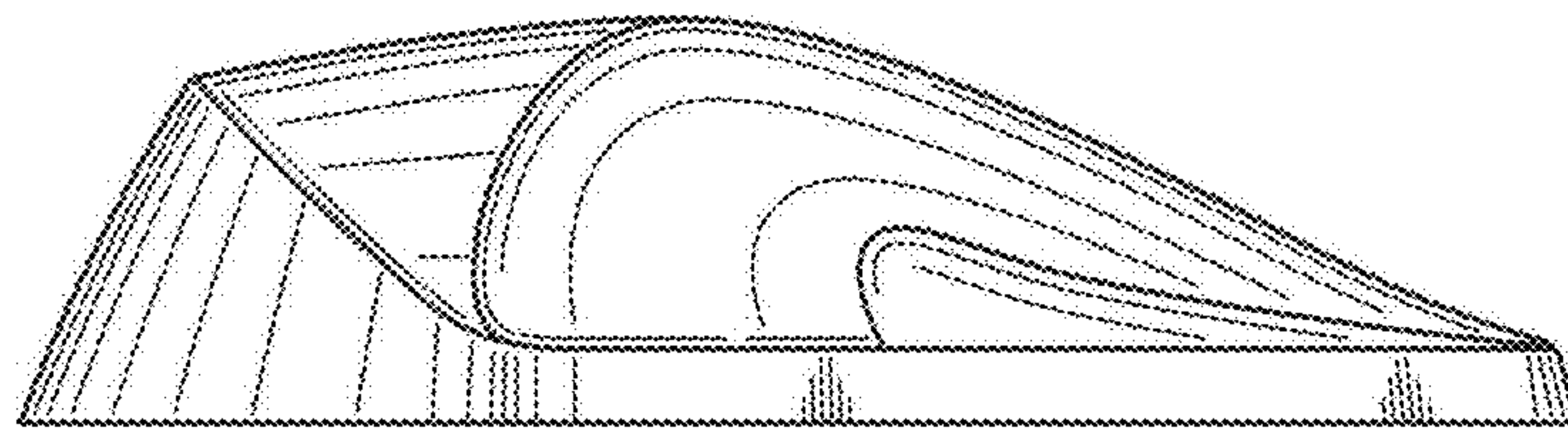


Fig. 3



Fig. 4

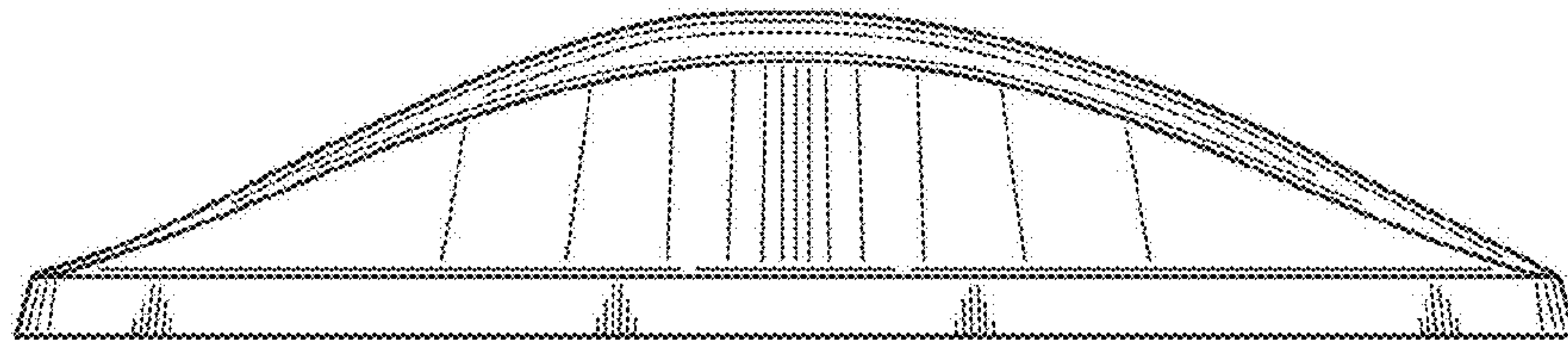


Fig. 5

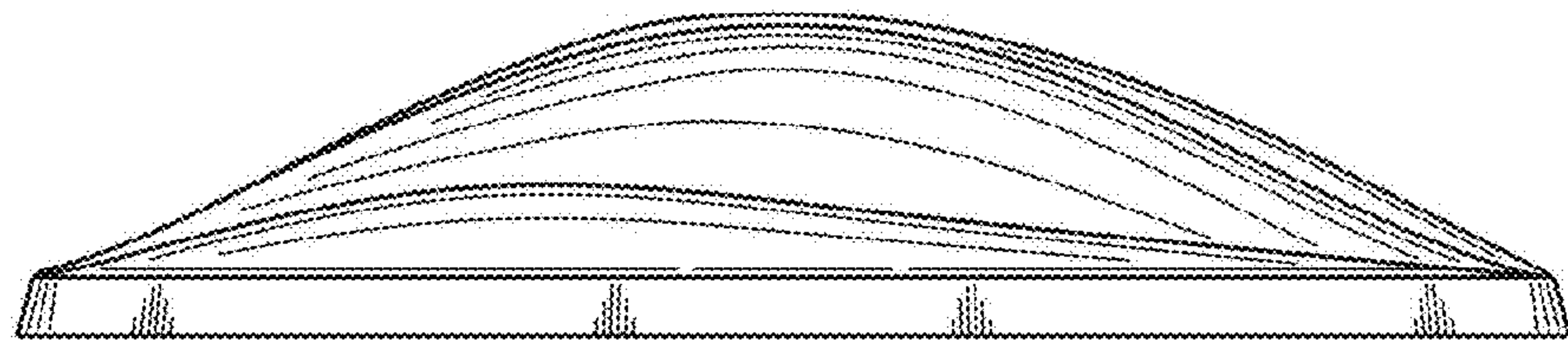


Fig. 6