



US00D778357S

(12) **United States Design Patent**
Wang

(10) **Patent No.:** **US D778,357 S**

(45) **Date of Patent:** **** Feb. 7, 2017**

- (54) **FOLDING PEN**
- (71) Applicant: **Andrew Wang**, Hangzhou (CN)
- (72) Inventor: **Andrew Wang**, Hangzhou (CN)
- (**) Term: **15 Years**
- (21) Appl. No.: **29/531,677**
- (22) Filed: **Jun. 29, 2015**
- (51) **LOC (10) Cl.** **19-06**
- (52) **U.S. Cl.**
USPC **D19/157; D19/915**
- (58) **Field of Classification Search**
USPC D14/411; D19/115–204
CPC B43K 5/00; B43K 7/00; B43K 7/10;
B43K 7/12; B43K 8/04; B43K
19/00; B43K 19/02; B43K 19/14
See application file for complete search history.

4,549,827 A *	10/1985	Mack	B43K 7/005 401/104
D301,345 S *	5/1989	Schreiber	D19/137
D307,600 S *	5/1990	Singer	D19/123
D377,947 S *	2/1997	Ladner	401/195
D469,806 S *	2/2003	Chan	D19/121
D482,726 S *	11/2003	Hung	D19/166
D482,727 S *	11/2003	Hung	D19/166
D567,851 S *	4/2008	Uchibayashi	D19/157
D585,936 S *	2/2009	Nakazawa	D19/135
D644,227 S *	8/2011	Son	D14/411
D655,292 S *	3/2012	Nakata	D14/411
D659,758 S *	5/2012	Kim	D19/163
D684,578 S *	6/2013	Son	D14/411
D713,881 S *	9/2014	Koch	D19/173
D744,591 S *	12/2015	Puglisi	D19/195

(Continued)

Primary Examiner — Elizabeth Albert
(74) *Attorney, Agent, or Firm* — Global IP Services;
Tianhua Gu

(57) **CLAIM**

The ornamental design for a folding pen, as shown and described.

DESCRIPTION

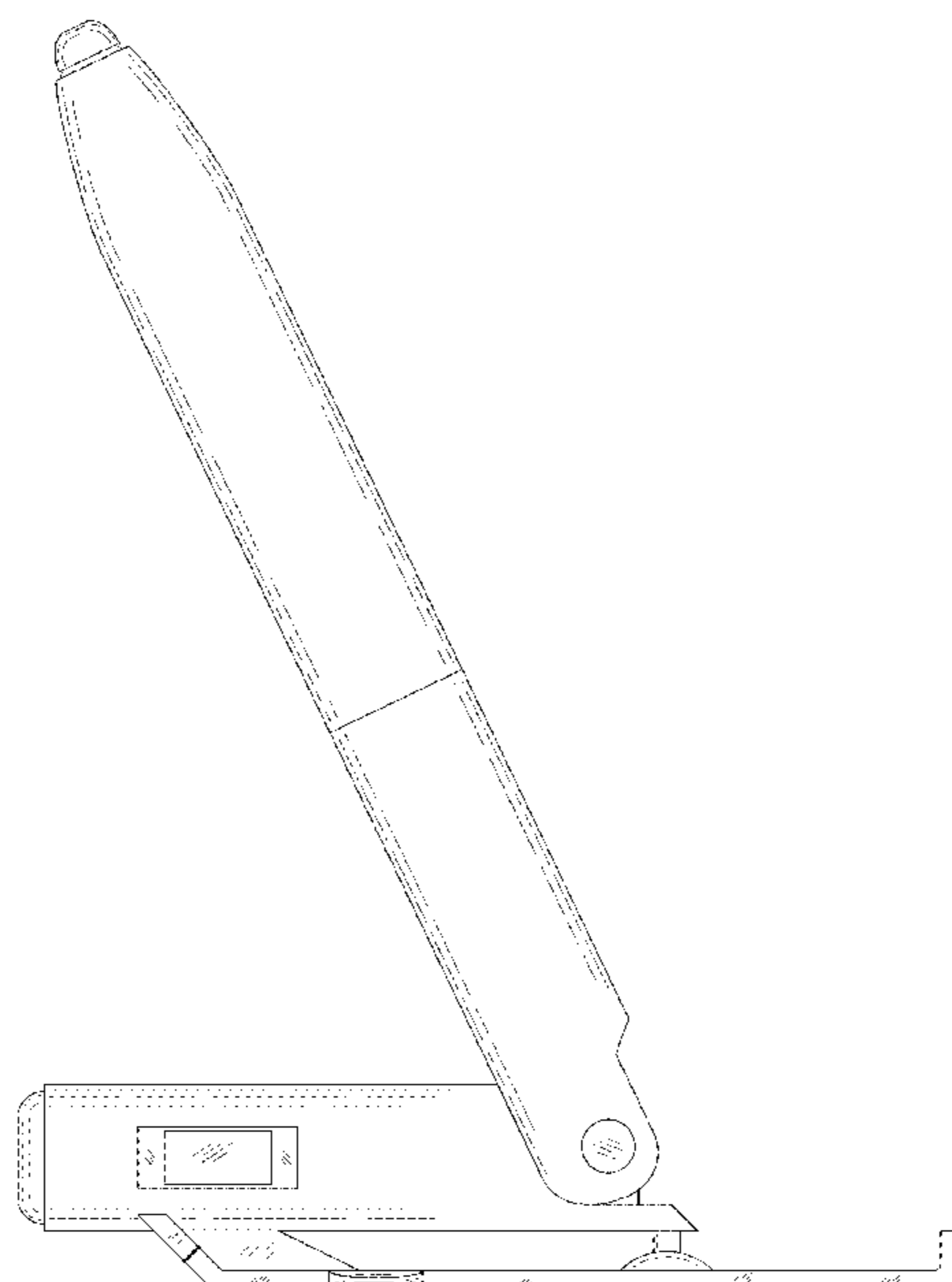
FIG. 1 is a front elevation view thereof;
FIG. 2 is a rear elevation view thereof;
FIG. 3 is a left side elevation view thereof;
FIG. 4 is a right side elevation view thereof;
FIG. 5 is a top plan view thereof;
FIG. 6 is a bottom plan view thereof;
FIG. 7 is a front elevation view showing a folded status thereof;
FIG. 8 is a front-top perspective view thereof;
FIG. 9 is a rear-top perspective view thereof;
FIG. 10 is a front-bottom perspective view thereof; and,
FIG. 11 is a rear-bottom perspective view thereof.

1 Claim, 6 Drawing Sheets

(56) **References Cited**

U.S. PATENT DOCUMENTS

D47,896 S *	9/1915	Riker	D19/197
D112,750 S *	12/1938	Blake	D19/173
2,153,488 A *	4/1939	Weisser	B43K 25/022 24/11 F
D160,436 S *	10/1950	Seibert	D19/171
3,257,991 A *	6/1966	Mosch	B43K 29/18 401/195
3,364,856 A *	1/1968	Lind	B41K 1/40 101/334
3,759,622 A *	9/1973	Miyamoto	B43K 25/02 401/104
4,149,812 A *	4/1979	Huffman, Jr.	B43K 23/122 401/195
4,285,101 A *	8/1981	Hanna	A45F 5/02 24/11 C
D267,256 S *	12/1982	Zepell	D19/197



(56)

References Cited

U.S. PATENT DOCUMENTS

D765,027 S * 8/2016 Lee D13/108

* cited by examiner

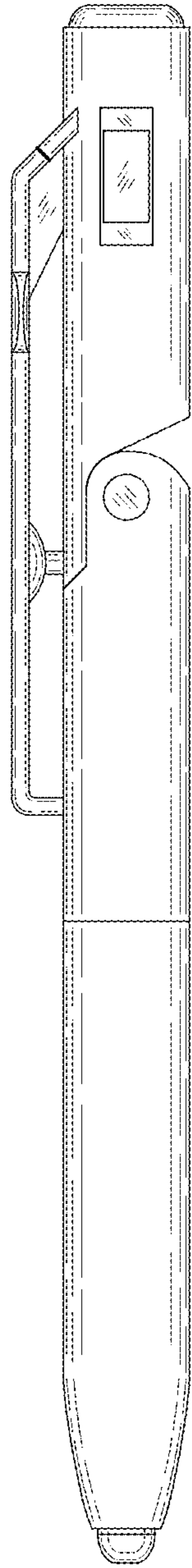


Fig. 1

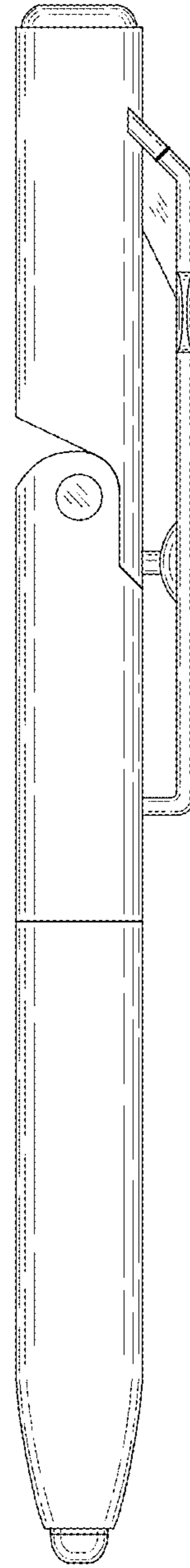


Fig. 2

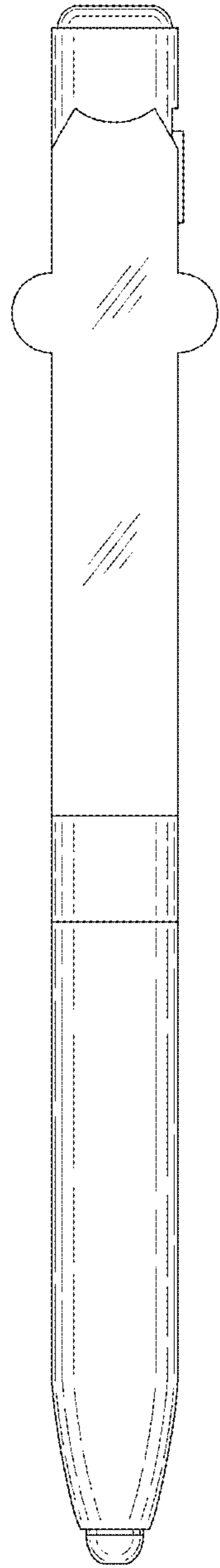


Fig. 3

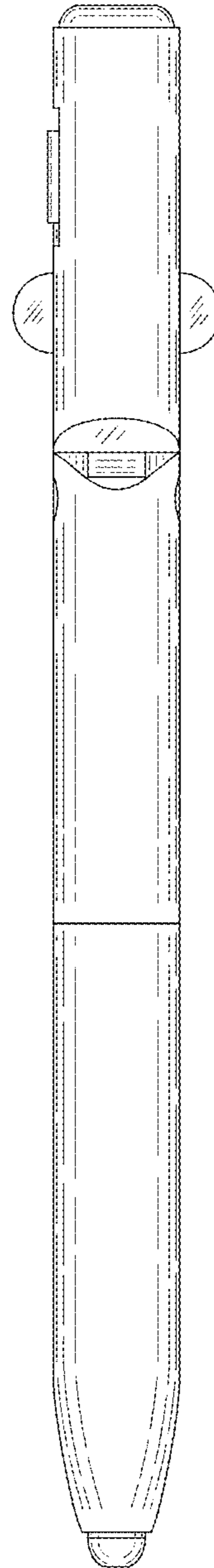


Fig. 4

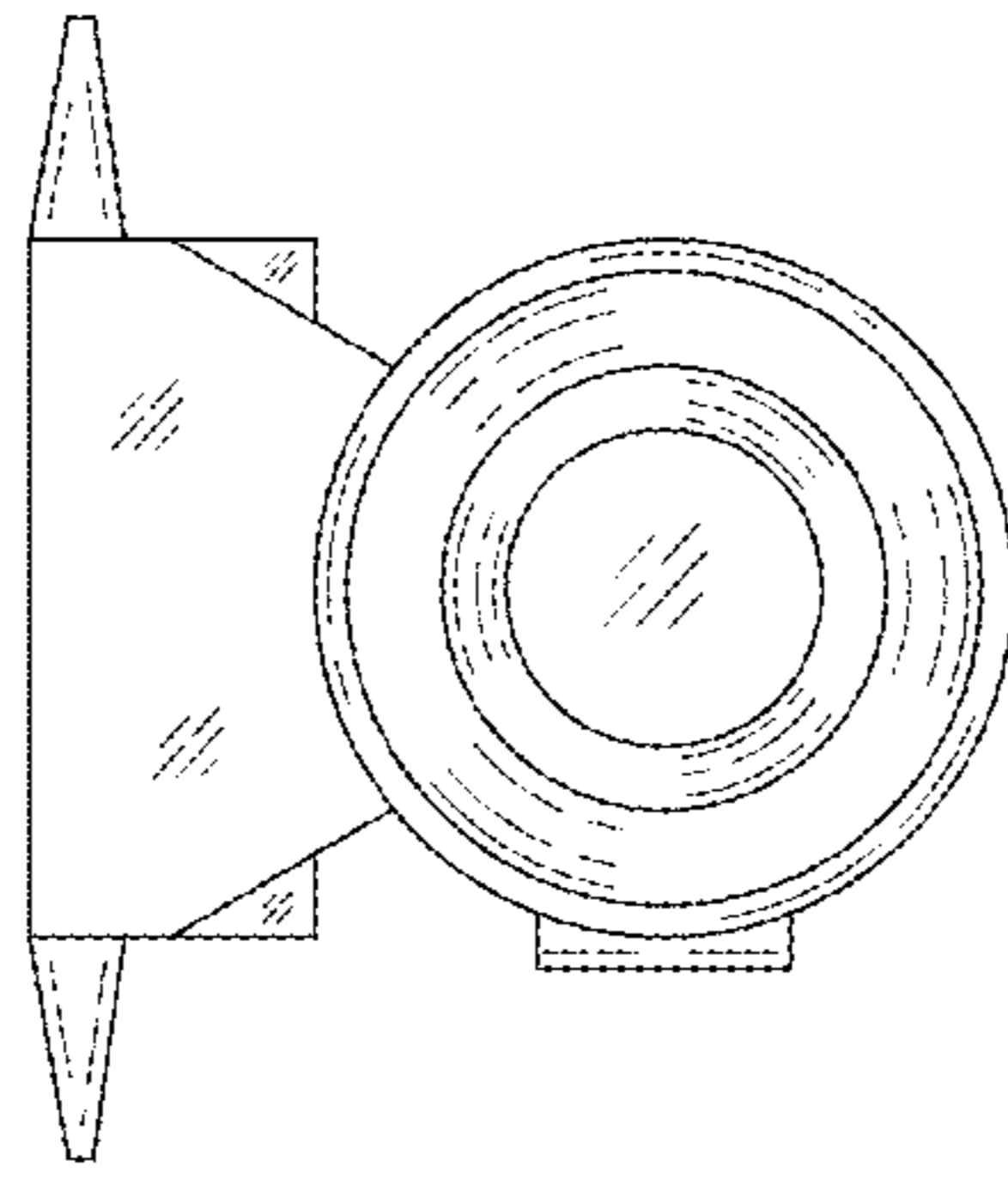


Fig. 5

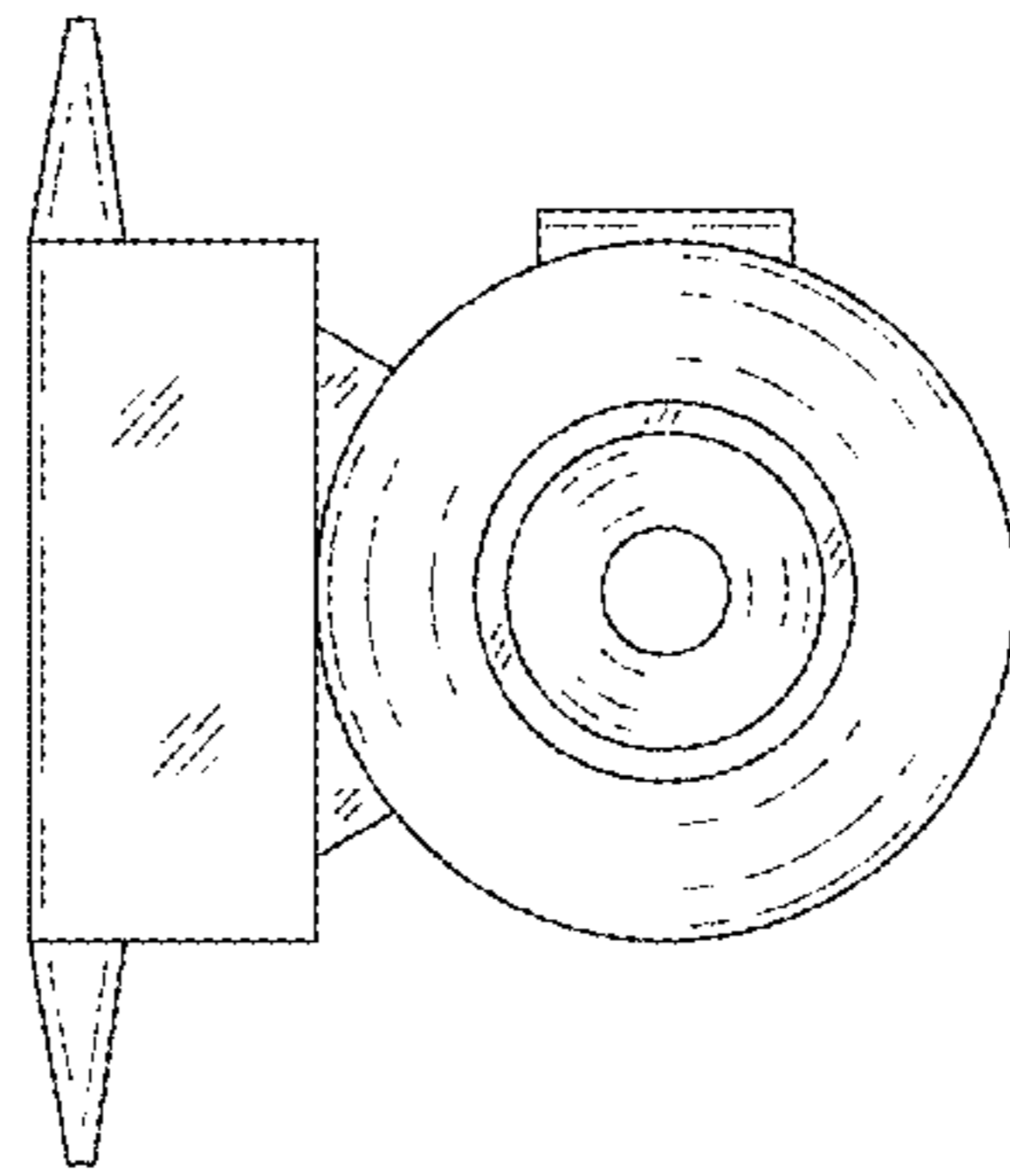


Fig. 6

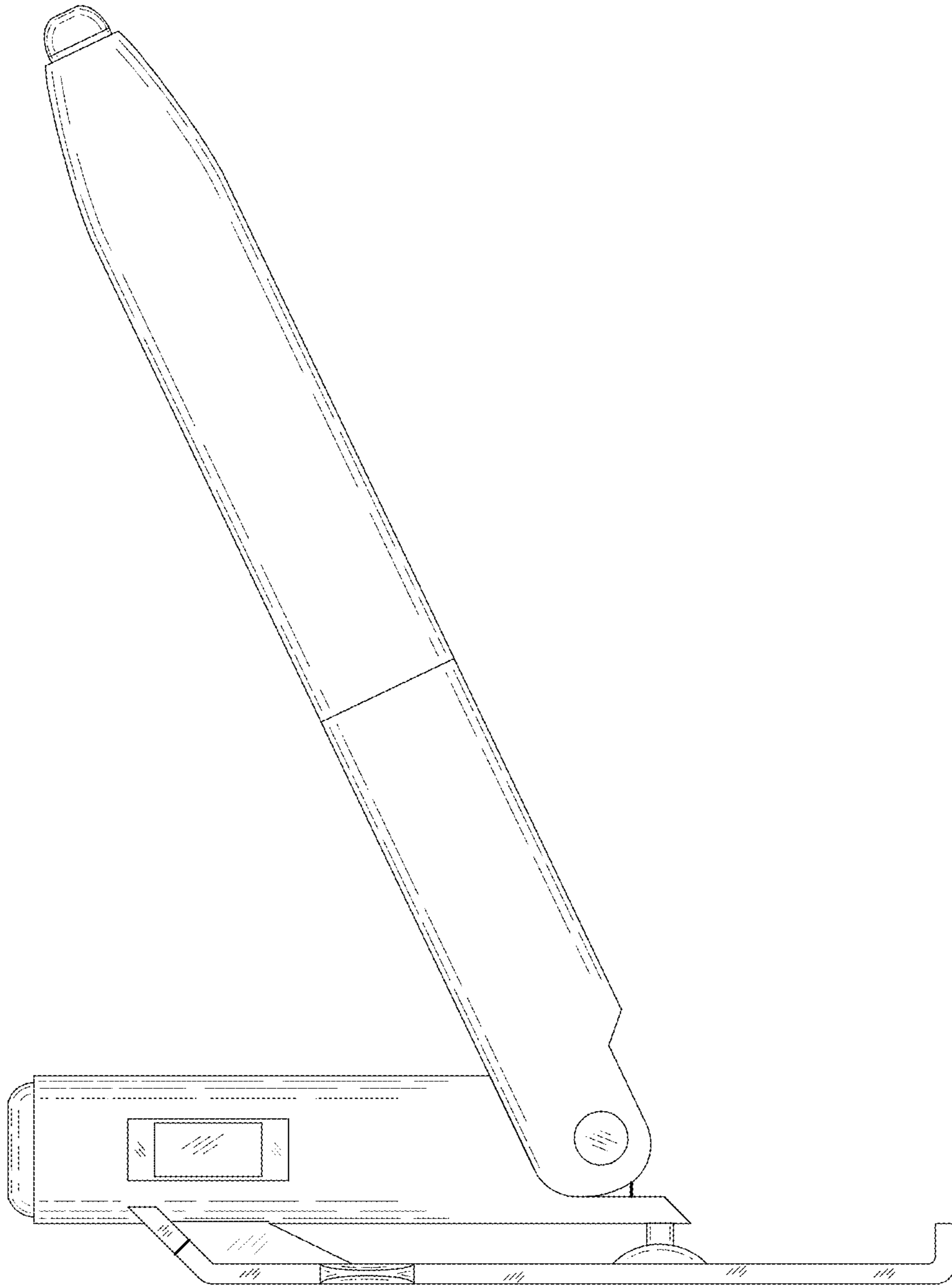


Fig. 7

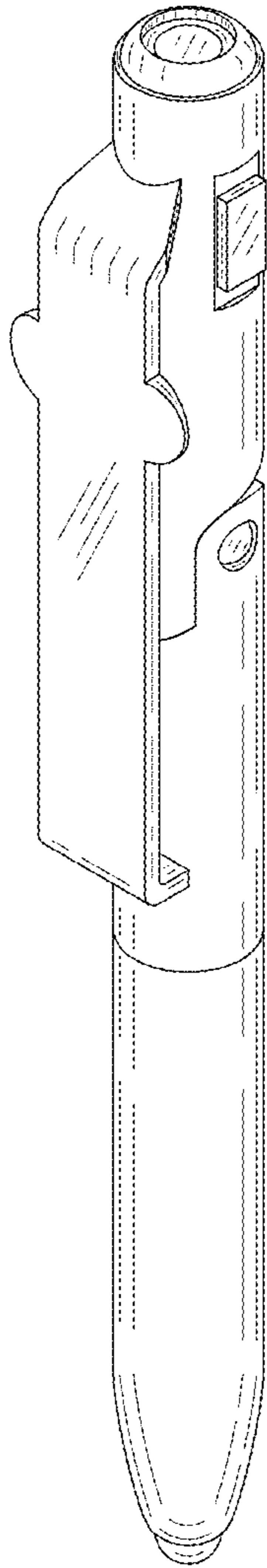


Fig. 8

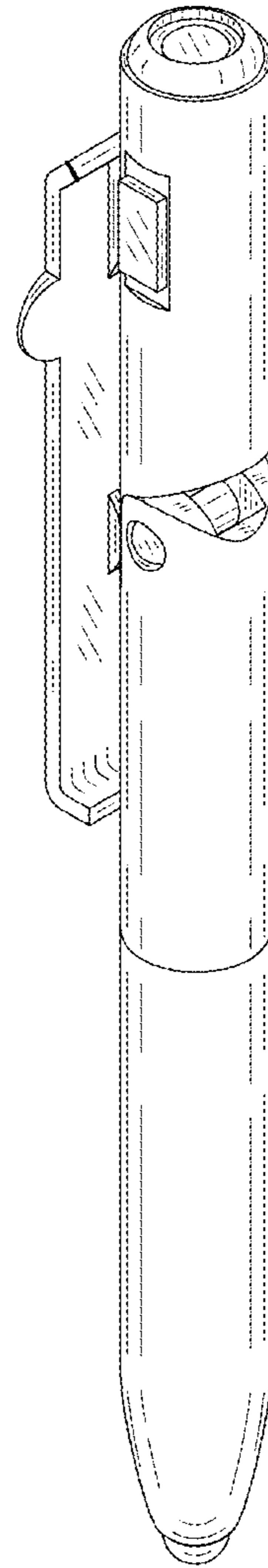


Fig. 9

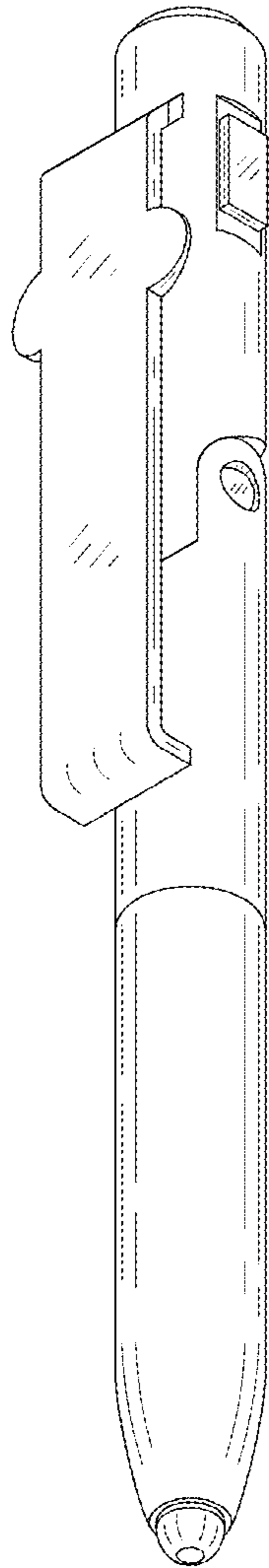


Fig. 10

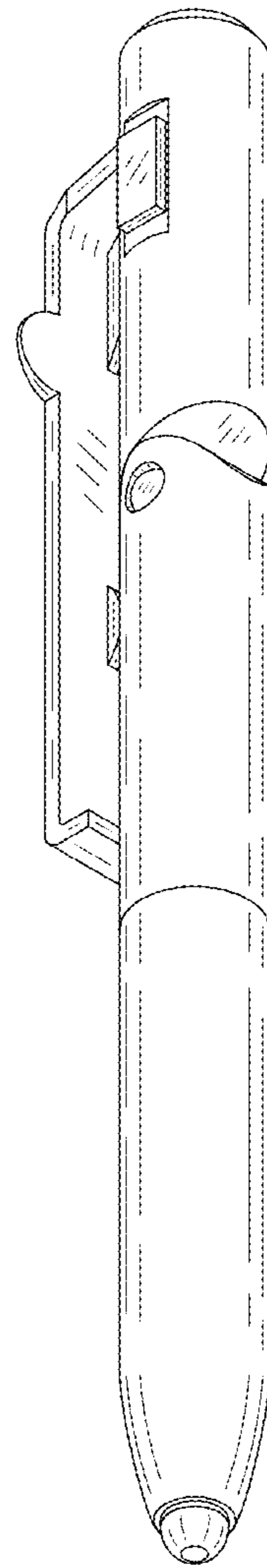


Fig. 11