



US00D778355S

(12) **United States Design Patent** (10) **Patent No.:** **US D778,355 S**
Magness (45) **Date of Patent:** **** Feb. 7, 2017**

(54) **FLAG PIN**
(71) Applicant: **Sara Magness**, Bel Air, MD (US)
(72) Inventor: **Sara Magness**, Bel Air, MD (US)
(**) Term: **15 Years**
(21) Appl. No.: **29/539,882**
(22) Filed: **Sep. 18, 2015**
(51) **LOC (10) Cl.** **19-07**
(52) **U.S. Cl.**
USPC **D19/64; D19/65**
(58) **Field of Classification Search**
USPC D19/59-64, 65, 86, 90, 91; D11/166,
D11/181-182, 131, 157; 434/130-153,
434/378; D21/386; 273/157 R; D99/18;
D8/388, 391; 40/645, 452, 592; 248/156;
16/441; 411/439; 29/525.03; 473/176
CPC G09B 19/00; G09B 27/08; G09B 19/0061;
A63C 19/062; F16B 15/06; F16B 15/02;
F16B 15/08; B43M 15/00; F21S
9/02; F21V 33/0048; F21V
21/0824; E04H 13/003; A63B 57/0056;
A63B 57/40; A63B 57/357; A61B
5/1176
See application file for complete search history.

(56) **References Cited**
U.S. PATENT DOCUMENTS
D4,565 S * 1/1871 Tiftt D11/180
2,529,628 A * 11/1950 Polloek G09B 19/00
273/157 R
D243,201 S * 1/1977 Wrenn D11/166
D253,389 S * 11/1979 South, Jr. 40/645
4,520,985 A * 6/1985 Blumenthal A63C 19/062
248/156
4,897,007 A * 1/1990 Chen F16B 15/06
16/441
D319,200 S * 8/1991 Stephenson D11/182
D349,924 S * 8/1994 Fisch D11/166

D352,315 S * 11/1994 Sellers D19/65
D389,868 S * 1/1998 Voorhees D19/86
D409,663 S * 5/1999 Wagner D8/388
D410,032 S * 5/1999 Wagner D8/391
D414,207 S * 9/1999 Wagner D19/65
D428,058 S * 7/2000 Wagner D19/65
6,132,060 A * 10/2000 Gallo F21V 21/0824
40/452
D456,043 S * 4/2002 Kennedy D19/91
6,406,241 B1 * 6/2002 Lorincz F16B 15/08
411/439
6,409,445 B1 * 6/2002 Beale F16B 25/0005
411/439
D464,591 S * 10/2002 Czaja D11/131
D464,993 S * 10/2002 Rosen D19/90
D464,994 S * 10/2002 Rosen D19/65
D466,937 S * 12/2002 Kochlefl D19/65
D467,973 S * 12/2002 Rosen D19/65
D468,357 S * 1/2003 Rosen D19/65
D476,131 S * 6/2003 Barnes D99/18

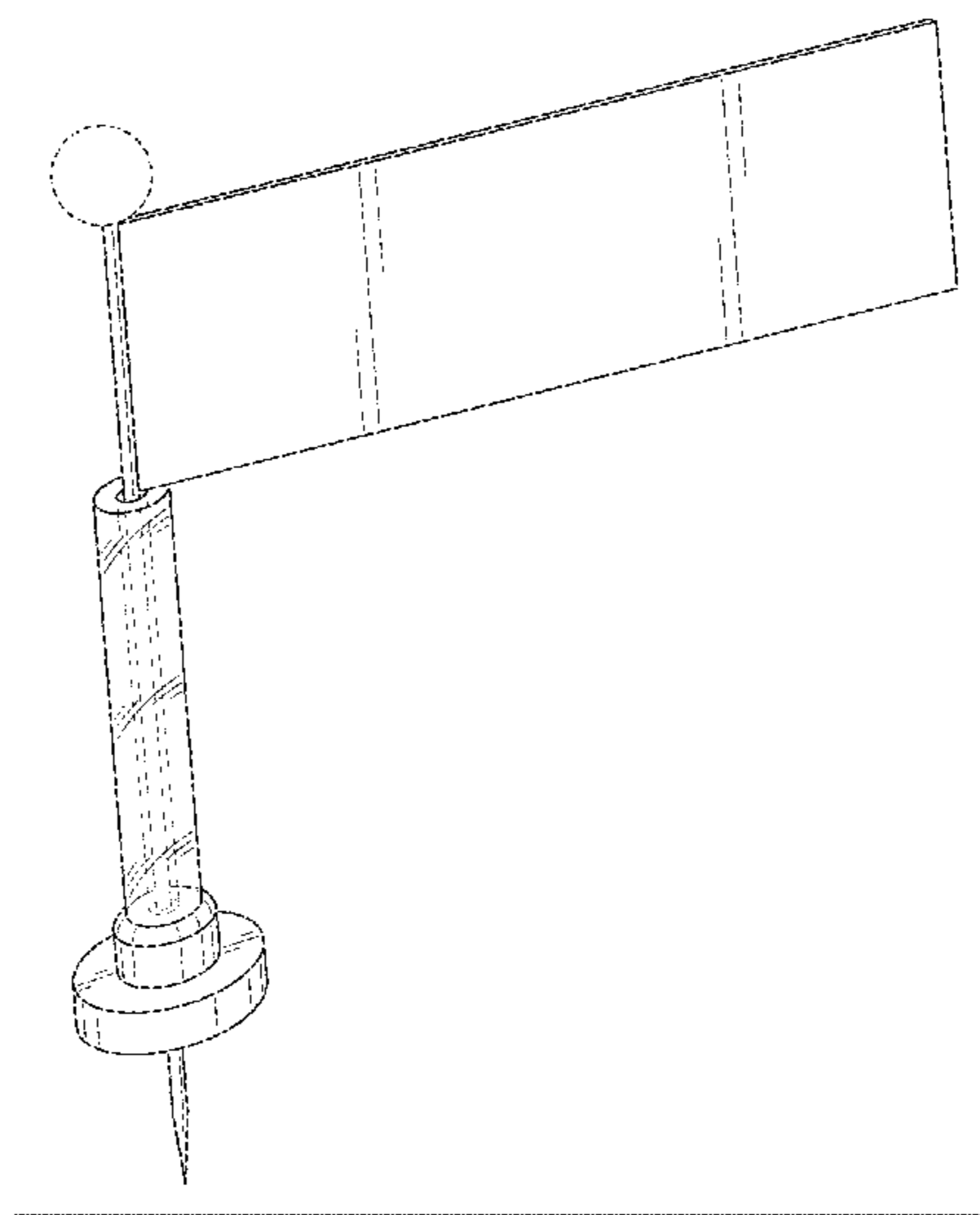
(Continued)

Primary Examiner — T. Chase Nelson
Assistant Examiner — Mark Cavanna
(74) *Attorney, Agent, or Firm* — Whiteford, Taylor & Preston, LLP; Gregory M. Stone

(57) **CLAIM**
The ornamental design for a flag pin, as shown and described.

DESCRIPTION
FIG. 1 is a perspective view of a flag pin showing my new design;
FIG. 2 is a right side view thereof;
FIG. 3 is a left side view thereof;
FIG. 4 is a front view thereof;
FIG. 5 is a back view thereof;
FIG. 6 is a top plan view thereof; and,
FIG. 7 is a bottom plan view thereof.
The broken lines in the Figures are included for the purpose of illustrating environment and form no part of the claimed design.

1 Claim, 5 Drawing Sheets



(56)

References Cited

U.S. PATENT DOCUMENTS

D483,253	S *	12/2003	Sayegh	D19/90
D507,306	S *	7/2005	Siegel	D19/65
D508,533	S *	8/2005	Siegel	D19/65
D531,223	S *	10/2006	Lynch	D19/65
D582,481	S *	12/2008	Vaughn	D19/65
D620,048	S *	7/2010	Lien	D19/65
8,209,891	B2 *	7/2012	Shellhouse	E04H 13/003 40/592
D668,992	S *	10/2012	Sussman	D11/166
9,017,181	B2 *	4/2015	Evans	A63B 57/357 473/176
2002/0098060	A1 *	7/2002	Kochlefl	B43M 15/00 411/429
2013/0263432	A1 *	10/2013	Goldberg	B43M 15/00 29/525.03

* cited by examiner

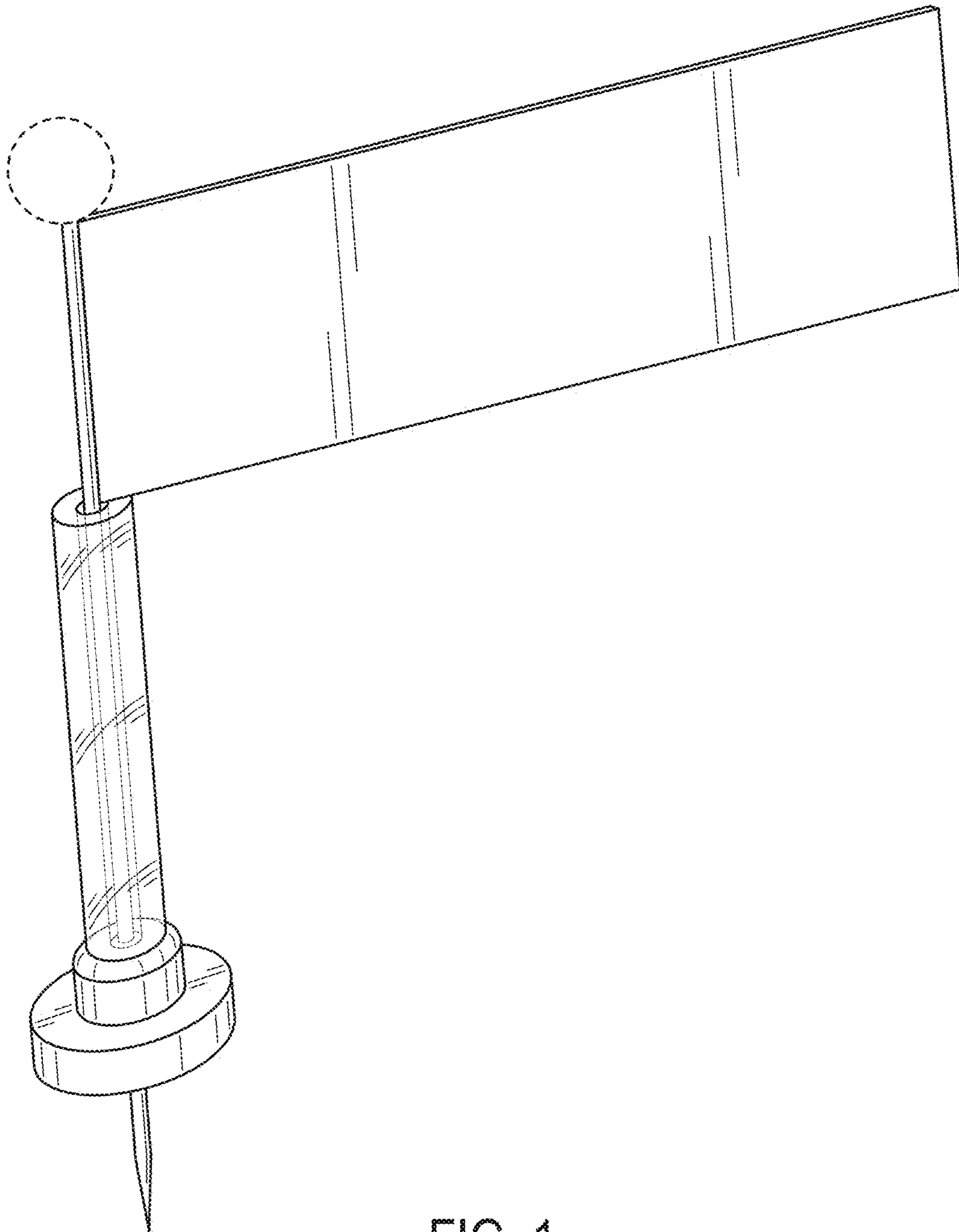


FIG. 1

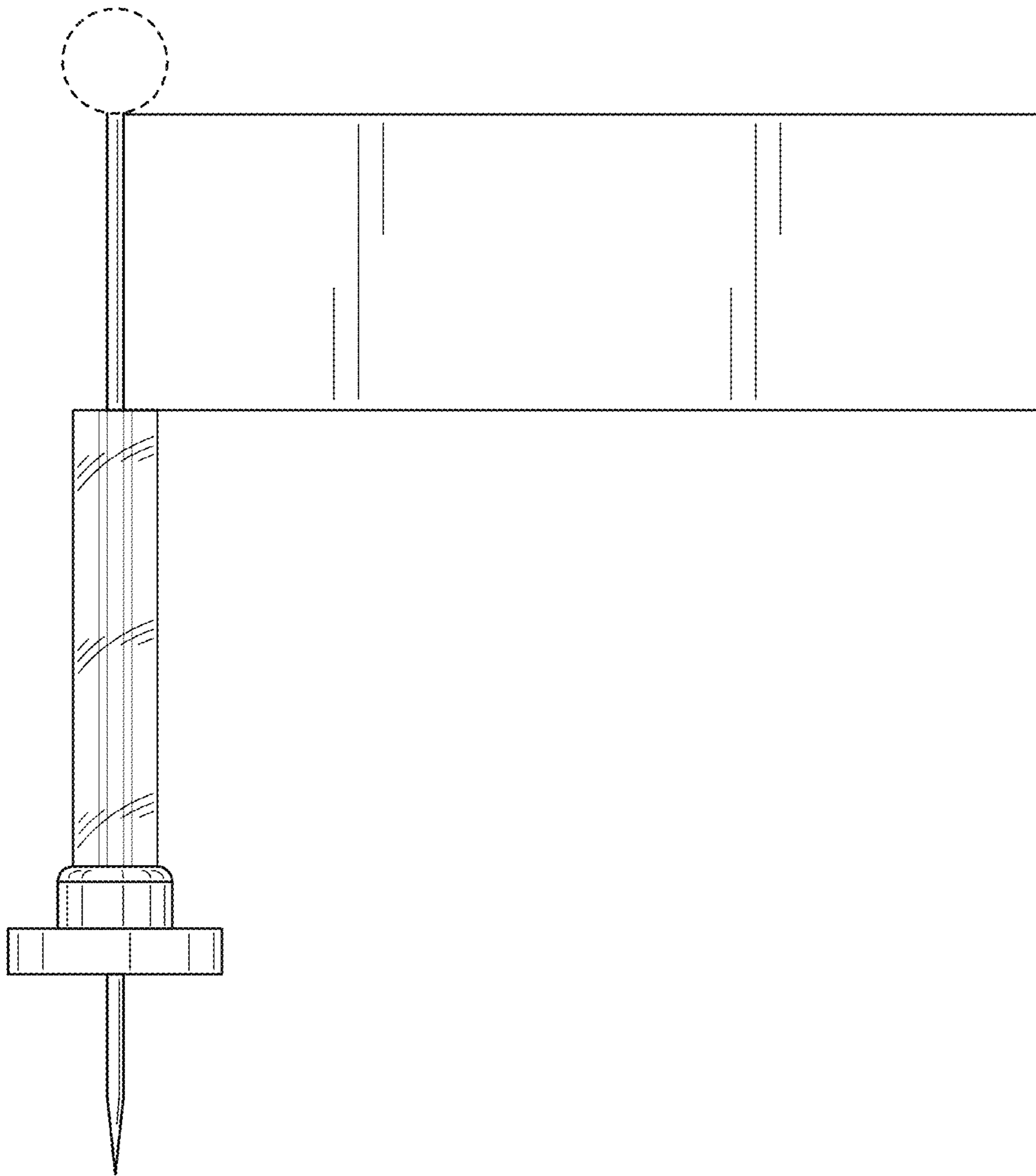


FIG. 2

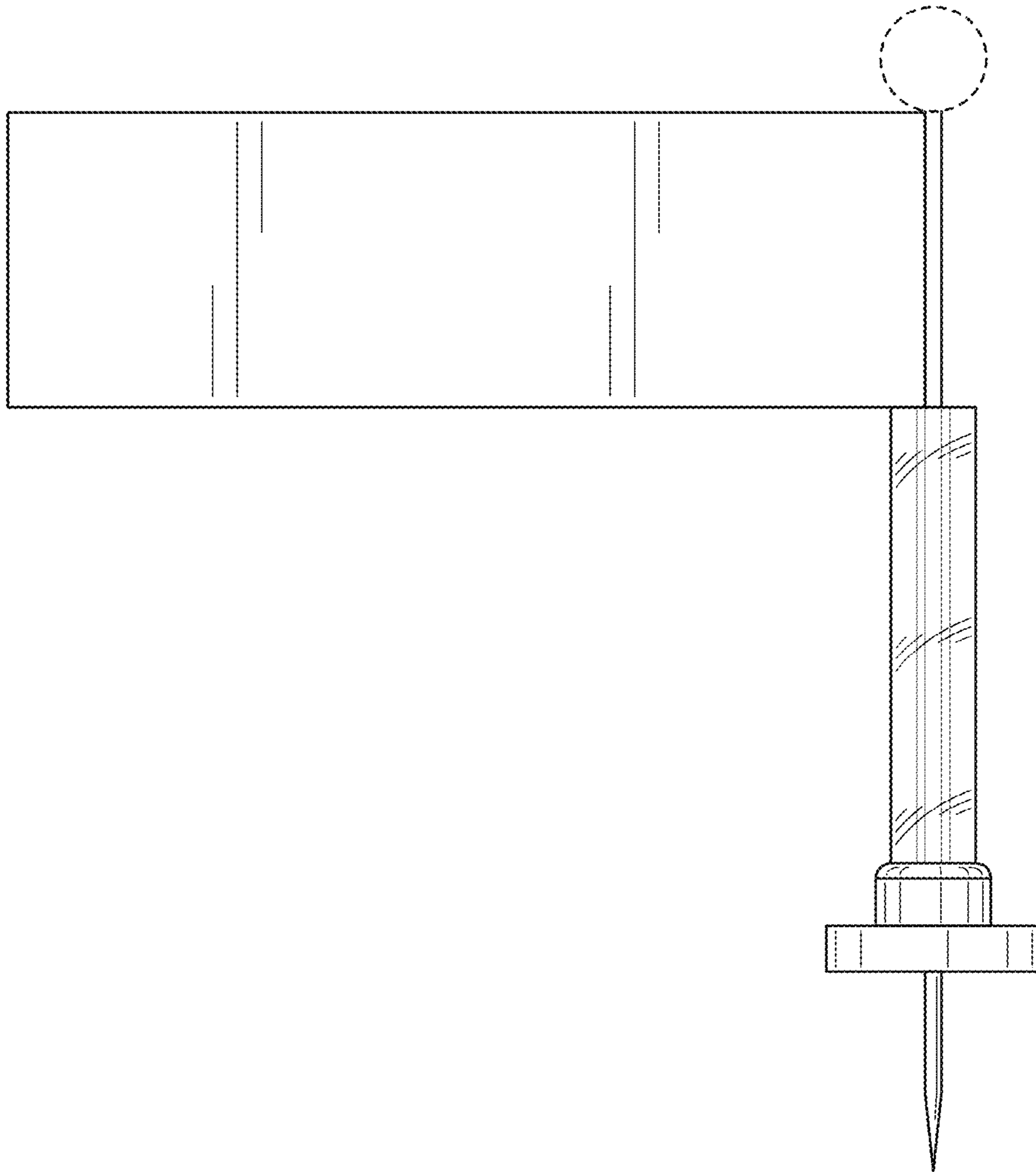


FIG. 3

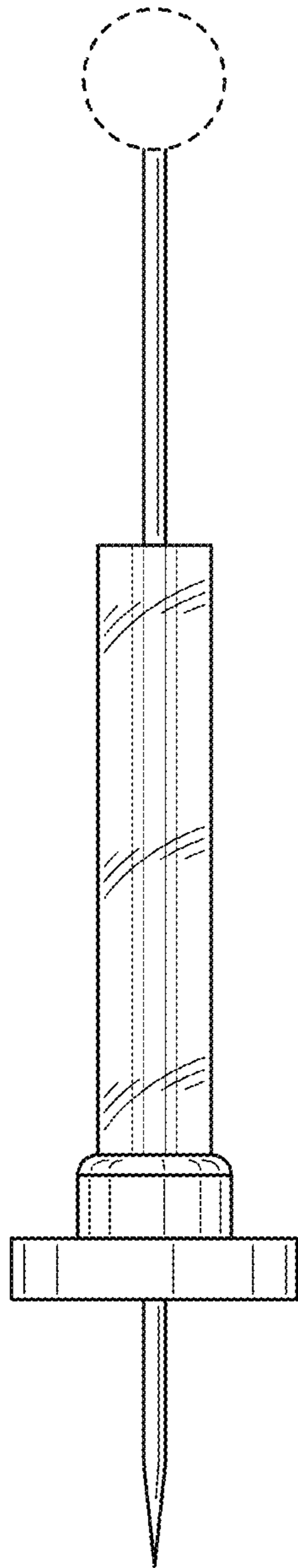


FIG. 4

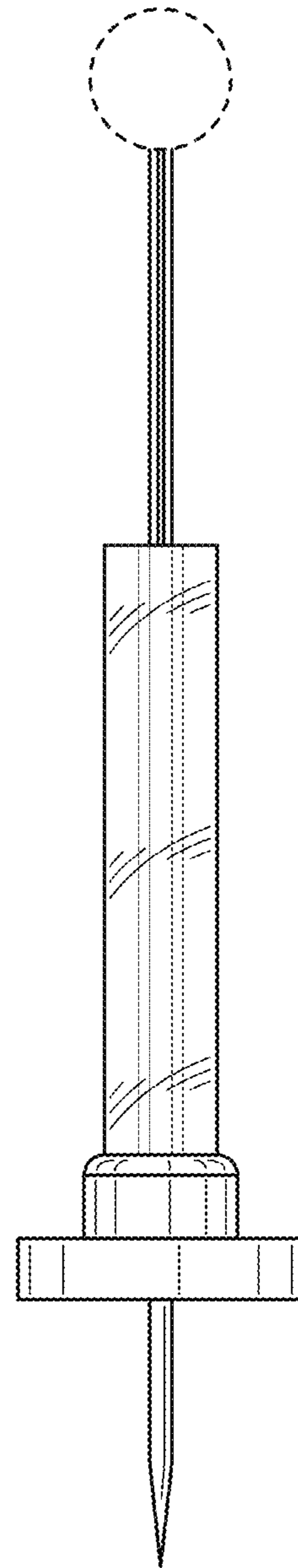


FIG. 5

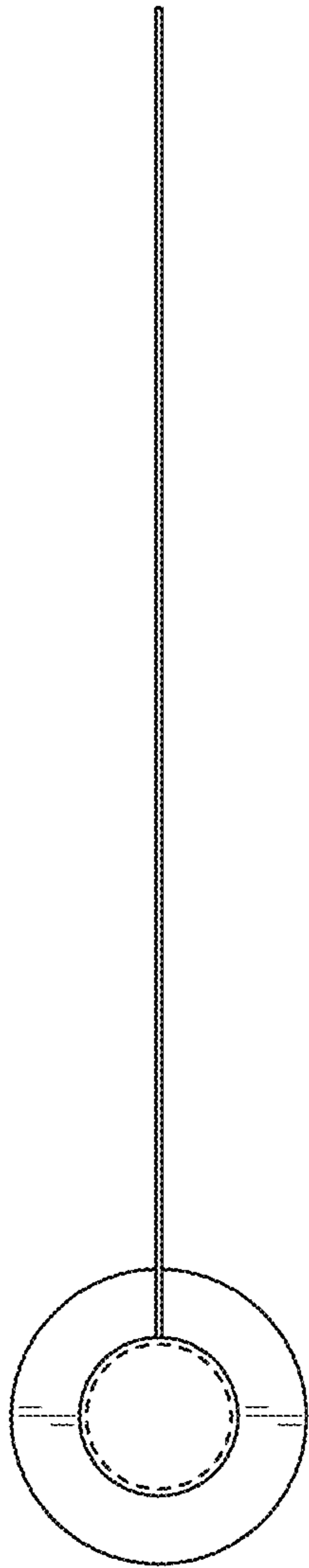


FIG. 6

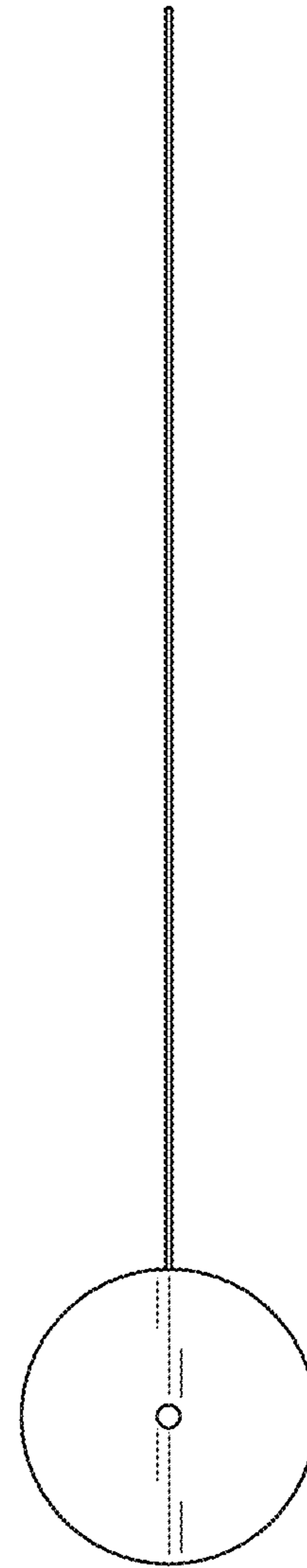


FIG. 7