



US00D778353S

(12) **United States Design Patent** (10) **Patent No.:** **US D778,353 S**
Hamayde (45) **Date of Patent:** **** Feb. 7, 2017**

(54) **BOOK BINDING MACHINE**
(71) Applicant: **Vivid Laminating Technologies Limited**, Coalville (GB)
(72) Inventor: **Sébastien de la Hamayde**, Leicester (GB)
(73) Assignee: **Vivid Laminating Technologies Limited**, Coalville (GB)
(**) Term: **14 Years**
(21) Appl. No.: **29/508,823**
(22) Filed: **Nov. 11, 2014**
(30) **Foreign Application Priority Data**

Sep. 25, 2014 (EM) 002545327
(51) **LOC (10) Cl.** **18-04**
(52) **U.S. Cl.**
USPC **D18/34.1**
(58) **Field of Classification Search**
USPC D18/34.1-34.9, 50, 53, 99; D19/65-69
CPC B42C 9/0006; B42C 9/0012; B42C 9/0018;
B42C 9/0025; B42C 9/0031; B42C
9/0037; B42C 9/0043; B42C 9/005; B42C
9/0056; B42C 9/0062; B42C
9/0068; B42C 9/0075; B42C
9/0081; B42C 9/0087; B42C
9/0093; B42C 9/02; B42C 11/02; B42C
11/04; B42C 11/045; B42C 11/06; B42C
13/00; B42C 13/003; B42C 13/006; B05C
1/00; B05C 1/003; B05C 1/006; B05C
1/0808; B05C 1/0813; B05C
1/0821; B42D 3/002; B42B 2/02; B42B
2/04; B42B 2/06; B42B 2/08; B42B 4/02;
B42B 9/00

See application file for complete search history.

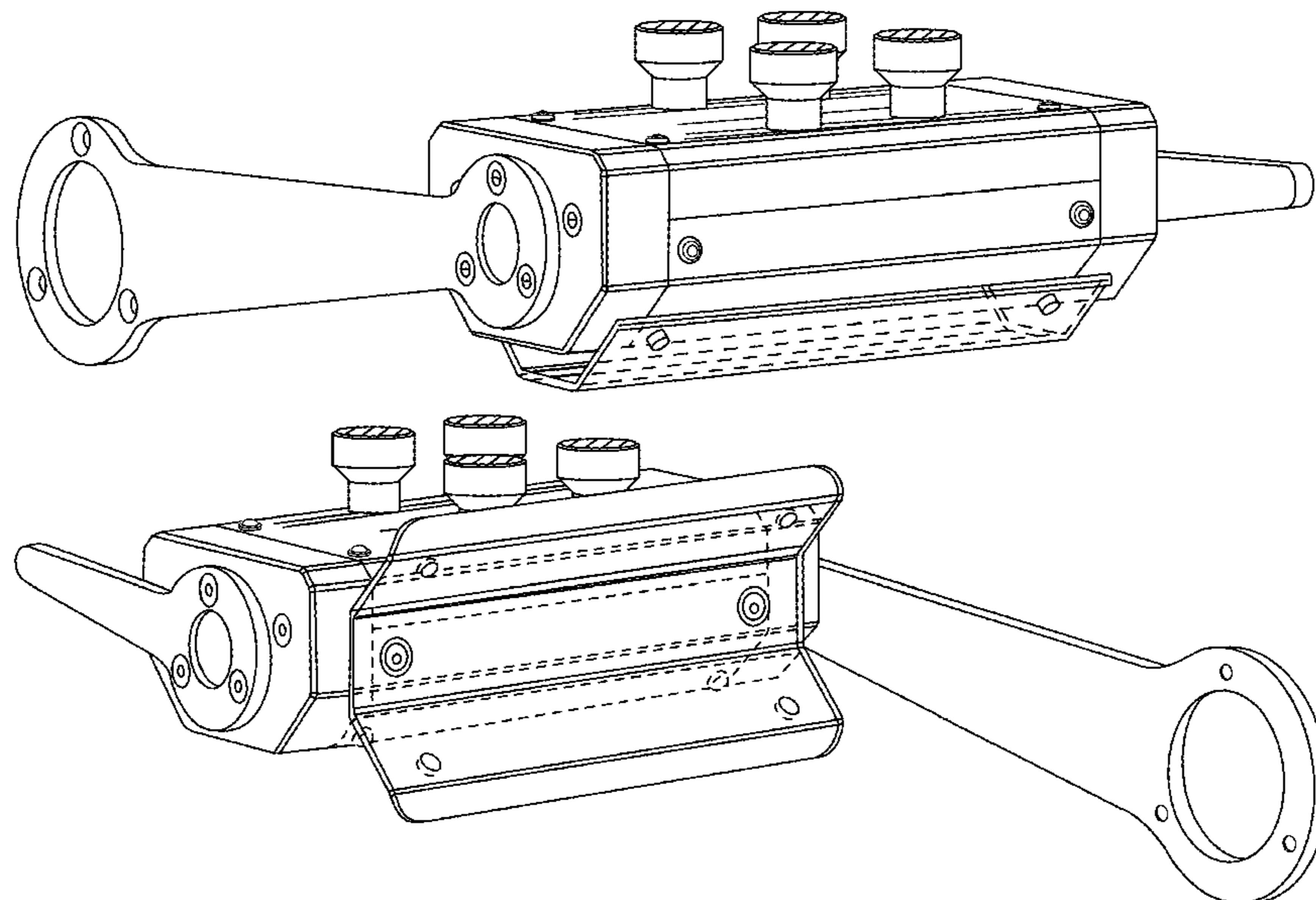
(56) **References Cited**
U.S. PATENT DOCUMENTS
D161,056 S * 11/1950 Cox D15/77
D162,667 S * 3/1951 Botta D19/68
(Continued)

FOREIGN PATENT DOCUMENTS
IT EP 1332888 A1 * 8/2003 B42B 2/00
JP EP 2650137 A2 * 10/2013 B42C 5/00
Primary Examiner — Bridget L Eland
Assistant Examiner — Lauren McVey
(74) *Attorney, Agent, or Firm* — NK Patent Law, PLLC

(57) **CLAIM**
I claim the ornamental design for the book binding machine, as shown and described.

DESCRIPTION
FIG. 1 is a right side view of the book binding machine; FIG. 2 is a top view of the book binding machine; FIG. 3 is a rear view of the book binding machine; FIG. 4 is a bottom view of the book binding machine; FIG. 5 is a left rear perspective view of the book binding machine; FIG. 6 is a right front perspective view of the book binding machine; FIG. 7 is a right rear perspective view of the book binding machine where a blade guard is shown in a bottom facing position; and, FIG. 8 is a left front perspective view of the book binding machine where the blade guard is shown in a front facing position.
The broken lines shown in the views are included for the purpose of illustrating portions of the bookbinding machine that form no part of the claimed design.

1 Claim, 8 Drawing Sheets



(56)

References Cited

U.S. PATENT DOCUMENTS

3,992,741 A * 11/1976 Staats B42C 9/0056
281/21.1
4,141,100 A * 2/1979 Domroe B42C 9/00
156/366
4,178,201 A * 12/1979 Power C09J 5/06
156/499
D263,970 S * 4/1982 Wiholm D18/34.1
D296,115 S * 6/1988 Scharer D18/34.2
D320,407 S * 10/1991 Lathrop, Jr. D18/34.1
D369,179 S * 4/1996 Botta D18/34.2
D435,585 S * 12/2000 Chiang D18/34.1
D443,634 S * 6/2001 Hefty D18/34.1
2012/0155993 A1* 6/2012 Masunari B42C 9/0056
412/37

* cited by examiner

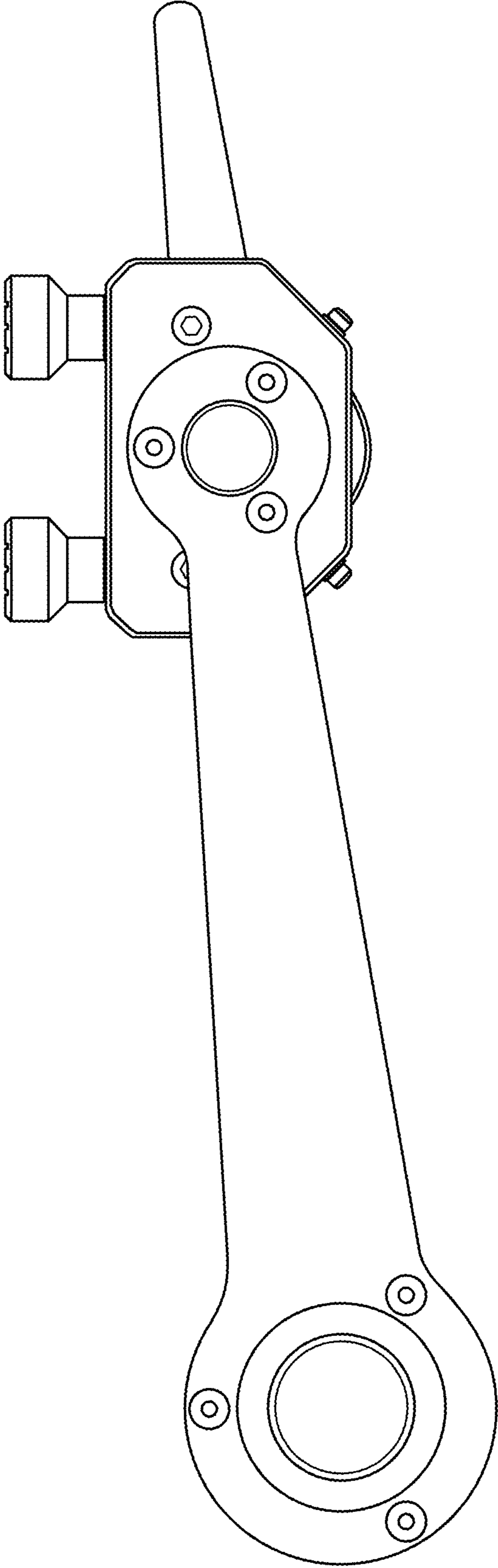


FIG. 1

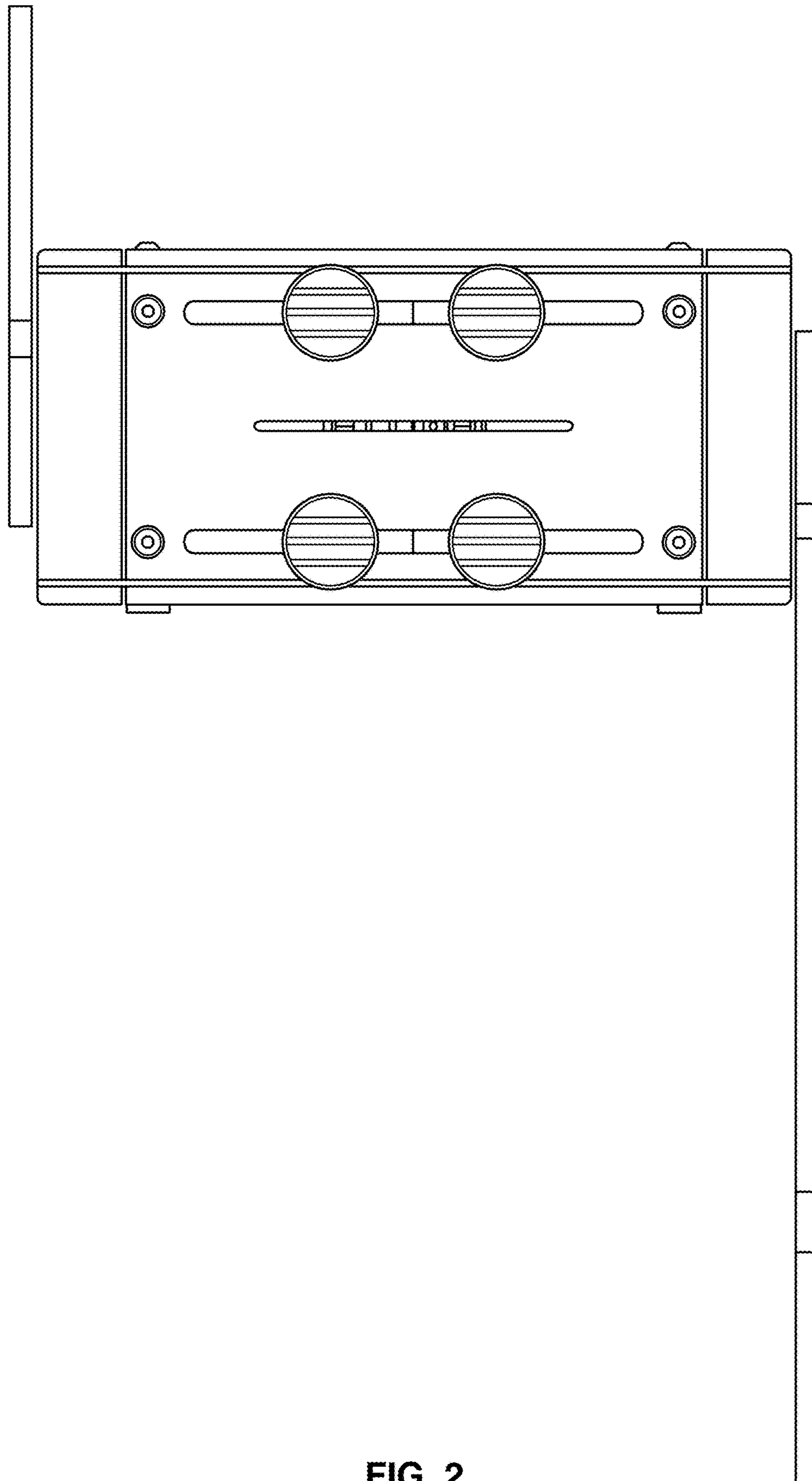


FIG. 2

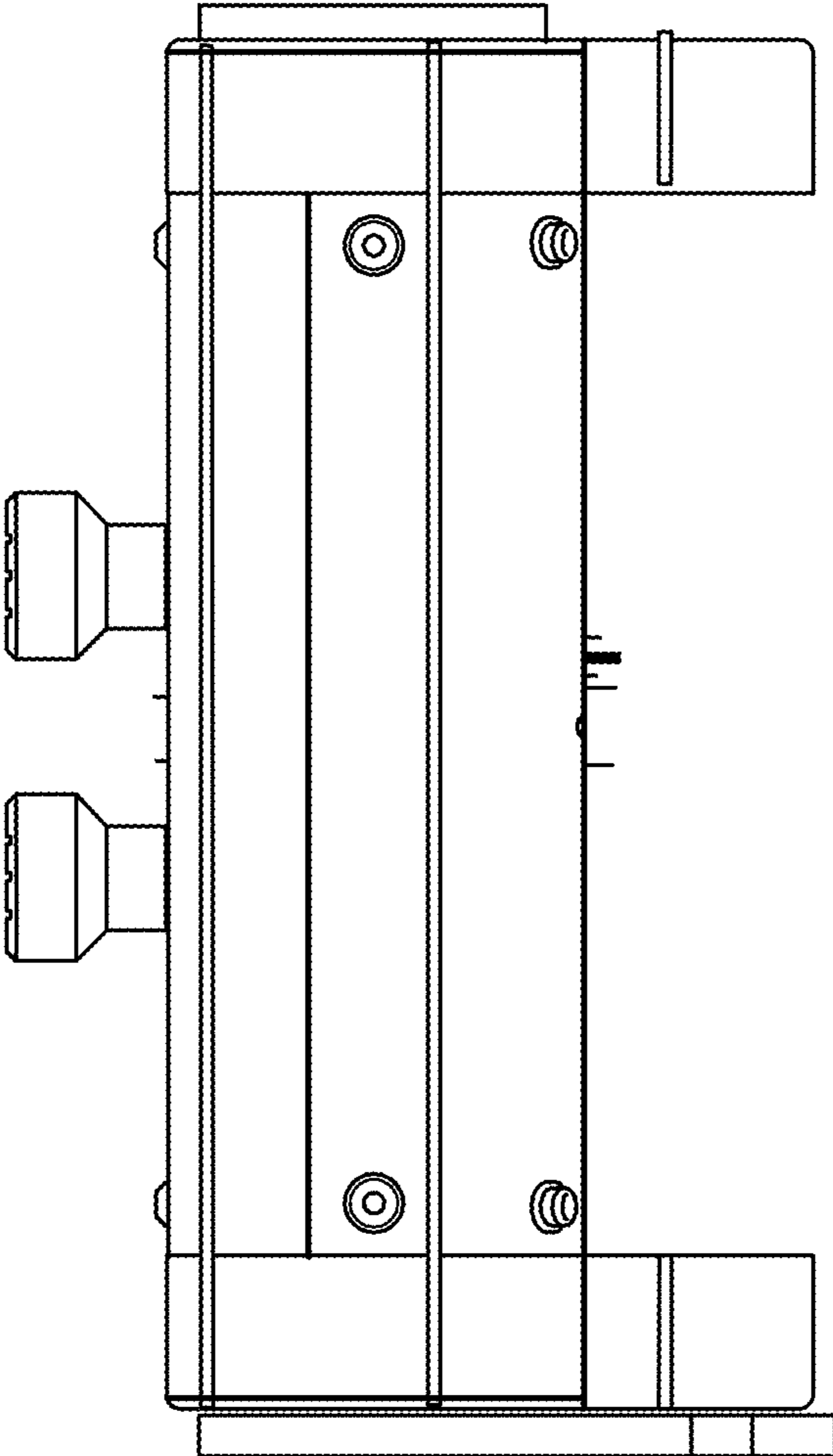


FIG. 3

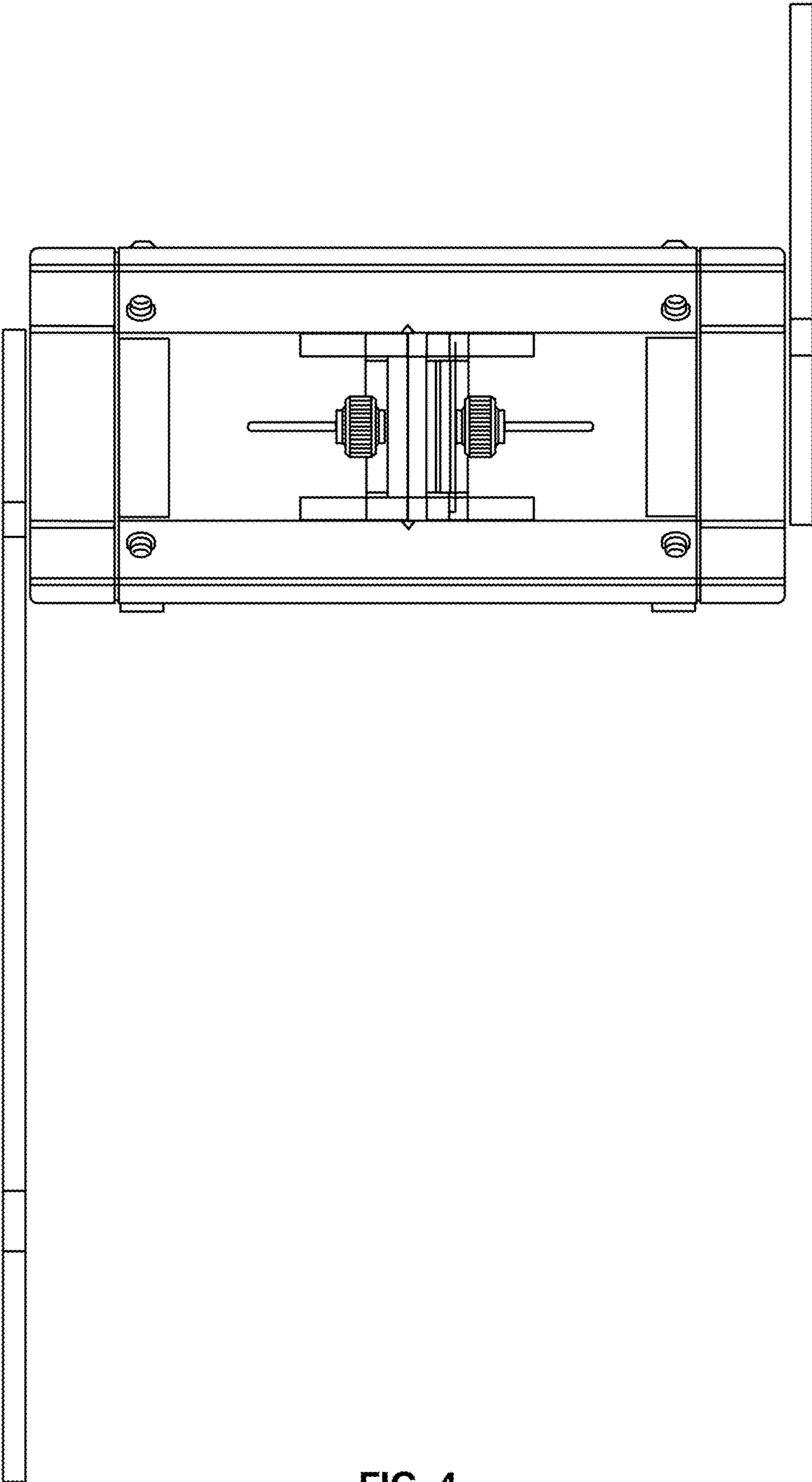


FIG. 4

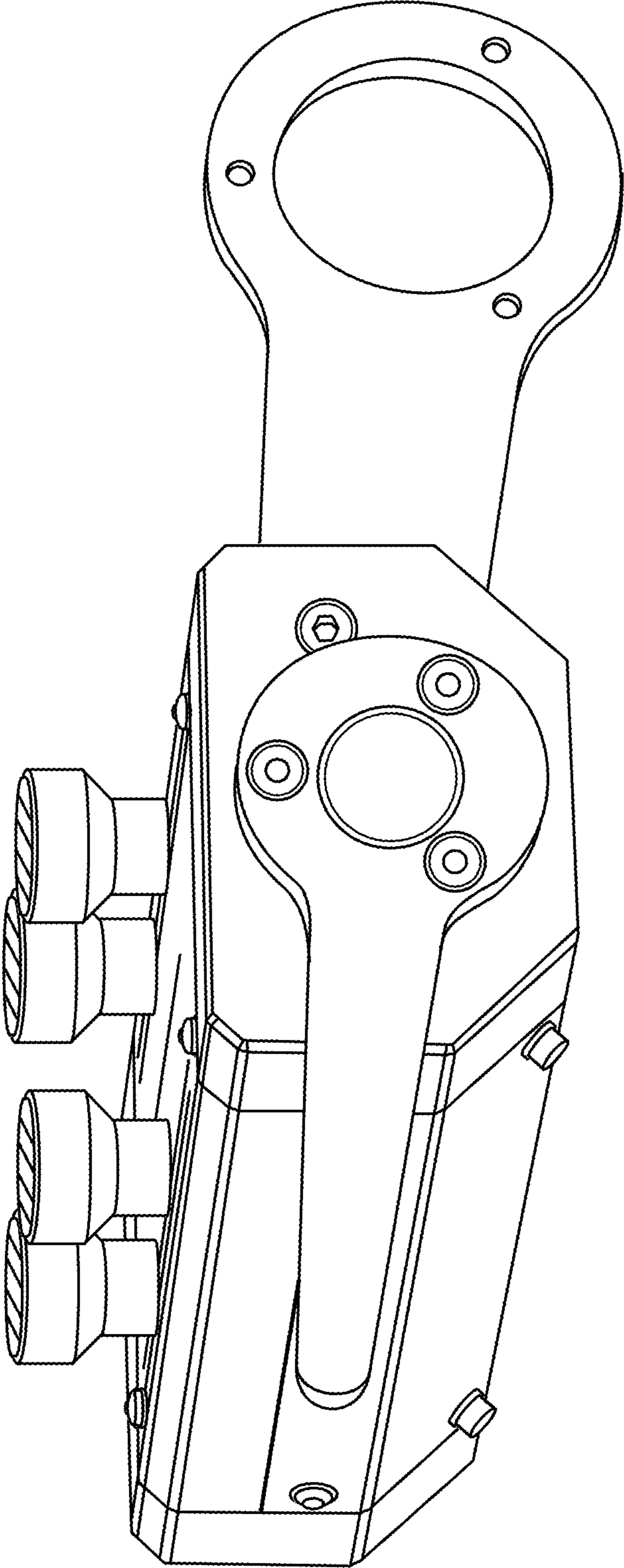


FIG. 5

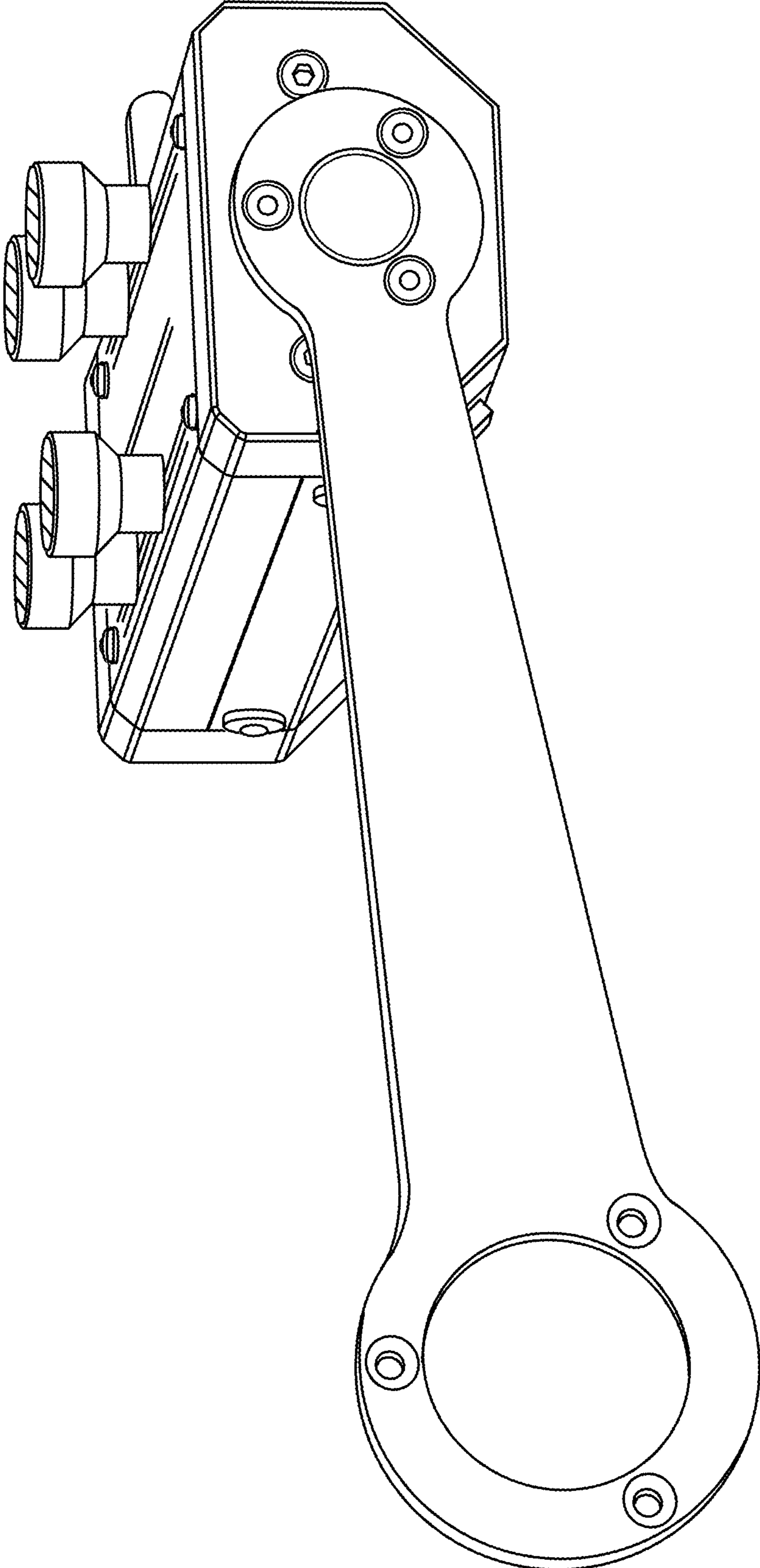


FIG. 6

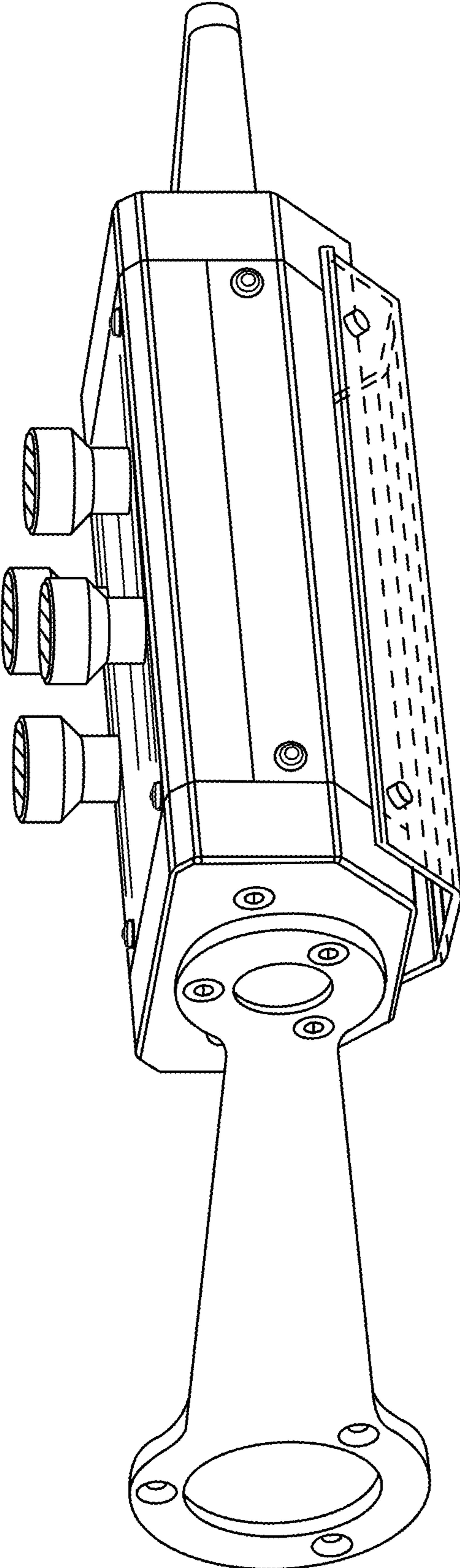


FIG. 7

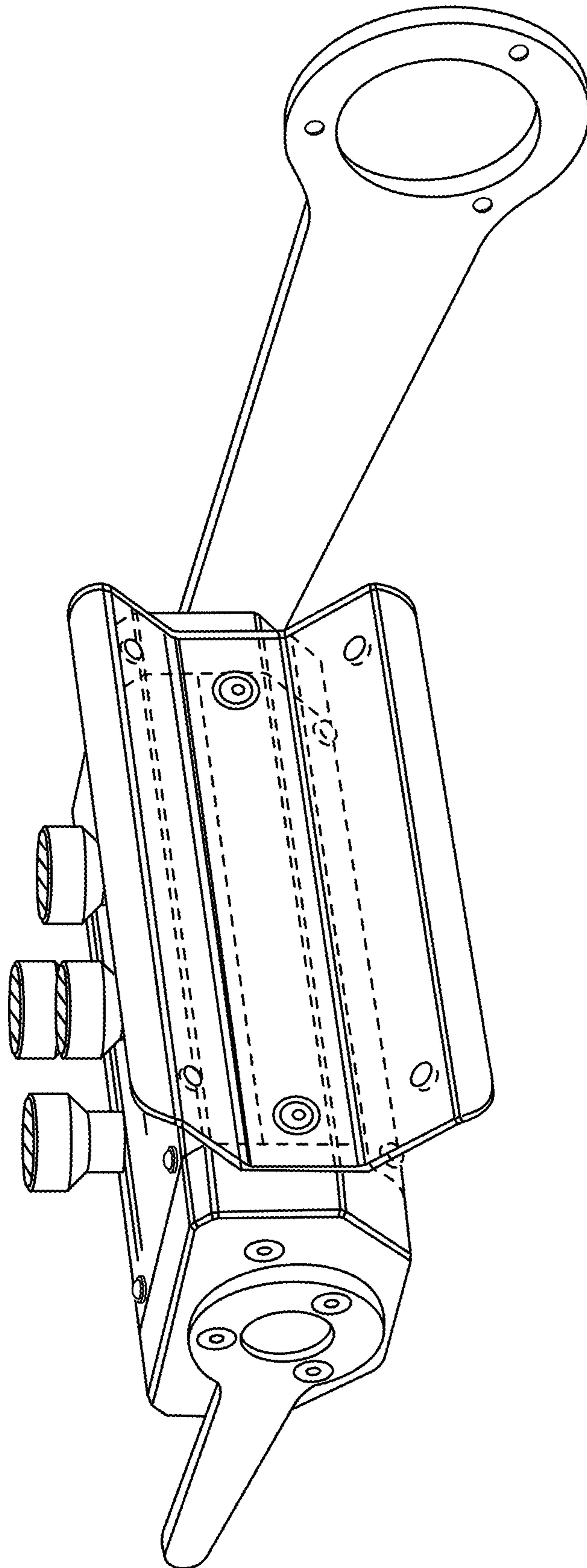


FIG. 8