



US00D778352S

(12) **United States Design Patent**  
**Lebl et al.**

(10) **Patent No.:** **US D778,352 S**

(45) **Date of Patent:** **\*\* Feb. 7, 2017**

(54) **DEVICE FOR FORMING BRAILLE CELLS**

(71) Applicants: **Carolyn C. Lebl**, Tyler, TX (US);  
**Christopher T. Lebl**, Tyler, TX (US)

(72) Inventors: **Carolyn C. Lebl**, Tyler, TX (US);  
**Christopher T. Lebl**, Tyler, TX (US)

(\*\*) Term: **14 Years**

(21) Appl. No.: **29/515,363**

(22) Filed: **Jan. 22, 2015**

(51) **LOC (10) Cl.** ..... **19-02**

(52) **U.S. Cl.**  
USPC ..... **D18/14**

(58) **Field of Classification Search**

USPC ... D18/1, 12, 40, 50, 52, 54, 56, 57, 99, 14,  
D18/15, 18, 19; D8/89, 391, 499, 90, 75,  
D8/14; D21/300, 304, 385, 386, 694, 839,  
D21/900; D19/101, 158, 162, 192, 202,  
D19/59, 60, 64, 99, 100, 65, 90; 434/113,  
434/114; D14/448, D14/455, 126, 128,  
D14/154, 217, 238.1, 259, 299

CPC ..... G09B 21/00; G09B 21/004; G09B 21/003;  
G09B 21/001; G09B 21/02; G09B 21/025;  
G09B 21/04; B41J 3/00; B41J 3/32; B41J  
5/107; B41J 5/12; B41M 3/16; H01H  
13/00; H01H 13/02; H01H 13/12; H01H  
13/14; H01H 13/83; H01H 13/85; H01H  
2009/189; H01H 2215/00; A63F 13/285;  
A63F 2009/0004; B44B 5/02; B44B  
5/026; B44B 11/04

See application file for complete search history.

(56) **References Cited**

**U.S. PATENT DOCUMENTS**

D2,301 S \* 5/1866 Grosskoph ..... D18/15  
D3,967 S \* 4/1870 Hubbard et al. .... D18/15  
170,190 A \* 11/1875 Pratt ..... A47B 95/043  
16/404  
D28,851 S \* 6/1898 Ackley ..... D8/391  
D29,283 S \* 8/1898 Sweeny ..... D8/391

D29,917 S \* 1/1899 Miller ..... D19/99  
D101,962 S \* 11/1936 Le Breux ..... D8/391  
D101,971 S \* 11/1936 Schuster ..... D8/391  
2,337,127 A \* 12/1943 Pannier ..... B44B 5/026  
101/28  
2,549,632 A \* 4/1951 Nottingham ..... G09B 21/003  
116/DIG. 17  
2,797,930 A \* 7/1957 Booth ..... B60G 7/005  
280/124.134  
2,891,324 A \* 6/1959 Zuk ..... G09B 21/003  
434/114  
2,924,896 A \* 2/1960 Kelly ..... G09B 21/003  
352/156  
3,032,164 A \* 5/1962 Masaharu ..... B41J 3/32  
400/109.1  
3,190,014 A \* 6/1965 Rhodes ..... G09B 7/073  
235/52

(Continued)

**OTHER PUBLICATIONS**

Development of a Braille Tactile Device Driven by Linear Magnet Actuators. blooddropsbrailledots.blogspot.com. (online) published Aug. 2012. [retrieved on Jun. 3, 2016]. Retrieved from Internet: <http://blooddropsbrailledots.blogspot.com/2012/06/how-do-you-use-computer.html>.\*

(Continued)

*Primary Examiner* — Susan Bennett Hattan  
*Assistant Examiner* — Marie Fast Horse  
(74) *Attorney, Agent, or Firm* — Dale J. Ream

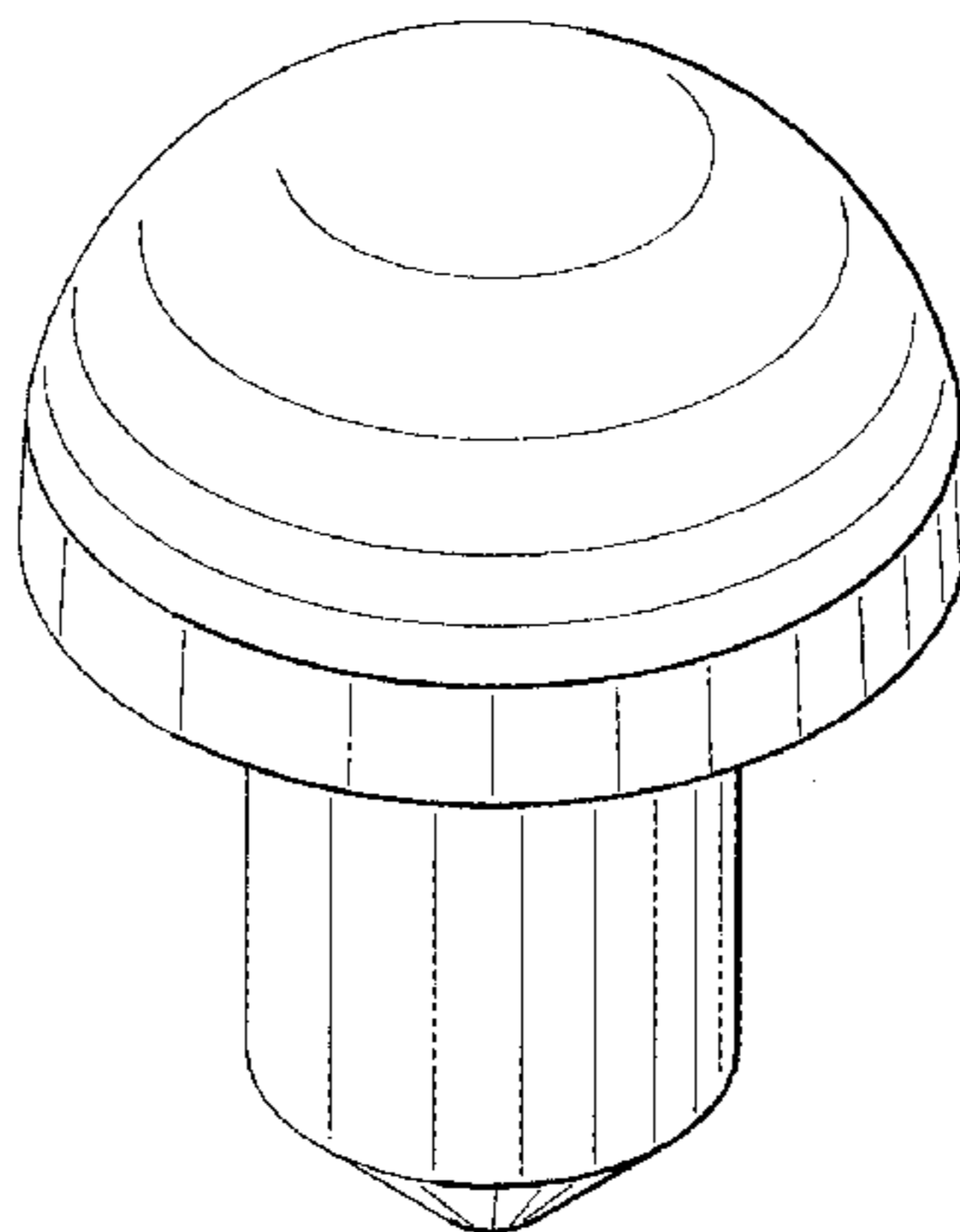
(57) **CLAIM**

The ornamental design for a device for forming braille cells, as shown and described.

**DESCRIPTION**

FIG. 1 is a perspective view of a device for forming braille cells showing our new design;  
FIG. 2 is a front view, the rear view, right side view, and left side view being a mirror image thereof;  
FIG. 3 is a top view thereof; and,  
FIG. 4 is a bottom view thereof.

**1 Claim, 4 Drawing Sheets**



(56)

References Cited

U.S. PATENT DOCUMENTS

3,463,045 A \* 8/1969 Prescott ..... B21K 1/56  
411/387.8  
3,568,357 A \* 3/1971 Lebensfield ..... A63F 3/00574  
273/237  
4,266,936 A \* 5/1981 Rose ..... G09B 21/003  
340/407.1  
4,437,400 A \* 3/1984 Ellis ..... B44B 5/0019  
101/18  
4,445,871 A \* 5/1984 Becker ..... G09B 21/003  
400/109.1  
D286,500 S \* 11/1986 Jaques ..... D8/14  
D298,603 S \* 11/1988 White ..... D8/98  
4,871,992 A \* 10/1989 Petersen ..... G09B 21/003  
340/4.12  
D324,649 S \* 3/1992 Lederhaus, Jr. .... D8/391  
5,286,199 A \* 2/1994 Kipke ..... G09B 21/003  
310/311  
5,403,189 A \* 4/1995 Edgerton ..... G09B 21/003  
434/112  
5,449,292 A \* 9/1995 Tani ..... G09B 21/004  
340/4.12  
5,453,012 A \* 9/1995 Hudecek ..... G09F 9/375  
434/114  
5,720,616 A \* 2/1998 Schuler, III ..... G09B 21/003  
29/525  
D427,232 S \* 6/2000 Carsel ..... D18/15  
D428,048 S \* 7/2000 Carsel ..... D18/15  
6,109,922 A \* 8/2000 Litschel ..... G09B 21/004  
340/4.12  
6,159,013 A \* 12/2000 Parienti ..... G09B 21/003  
434/112  
6,417,821 B1 \* 7/2002 Becker ..... G09B 21/003  
340/407.1  
6,446,549 B1 \* 9/2002 Soucie ..... B31F 1/07  
101/3.1  
6,827,512 B1 \* 12/2004 Souluer ..... B41J 3/32  
400/109.1  
7,029,190 B1 \* 4/2006 Davis ..... G06F 3/0219  
341/21  
D675,260 S \* 1/2013 Yarbrough ..... D19/72  
8,690,576 B2 \* 4/2014 Murphy ..... G09B 21/003  
434/114  
D728,098 S \* 4/2015 Schad ..... D24/146  
D734,139 S \* 7/2015 Miura ..... D8/391  
9,230,451 B2 \* 1/2016 Takahashi ..... G09B 21/004  
2002/0050923 A1 \* 5/2002 Petersen ..... G09B 21/004  
340/407.1  
2003/0073058 A1 \* 4/2003 Tretiakoff ..... G09B 21/004  
434/113  
2003/0122779 A1 \* 7/2003 Martin ..... G06F 1/1662  
345/156  
2005/0079472 A1 \* 4/2005 Shimamura ..... G09B 21/025  
434/114  
2007/0199411 A1 \* 8/2007 Al-Majed ..... G09B 21/02  
81/9.2  
2007/0254268 A1 \* 11/2007 Adachi ..... G09B 21/003  
434/112  
2008/0070201 A1 \* 3/2008 Kwon ..... G09B 21/004  
434/113  
2008/0138774 A1 \* 6/2008 Ahn ..... G09B 21/003  
434/114  
2008/0171308 A1 \* 7/2008 Shin ..... G09B 21/004  
434/114

2008/0206722 A1 \* 8/2008 Fukami ..... G09B 21/02  
434/114  
2009/0023116 A1 \* 1/2009 Shaw ..... G09B 21/004  
434/114  
2009/0130639 A1 \* 5/2009 Skinner ..... G09B 21/003  
434/114  
2011/0020771 A1 \* 1/2011 Rea ..... G09B 21/02  
434/114  
2012/0214139 A1 \* 8/2012 Murphy ..... G09B 21/003  
434/114  
2012/0319981 A1 \* 12/2012 Habas ..... G09B 21/008  
345/173  
2013/0004922 A1 \* 1/2013 Takahashi ..... G06F 3/016  
434/113  
2013/0017516 A1 \* 1/2013 Tyler ..... G09B 21/004  
434/114  
2013/0203022 A1 \* 8/2013 Al-Qudsi ..... G09B 21/004  
434/113  
2013/0240089 A1 \* 9/2013 Li ..... B21D 45/003  
144/196  
2014/0184947 A1 \* 7/2014 Bolzmacher ..... G06F 3/016  
349/12  
2014/0255880 A1 \* 9/2014 Chari ..... G09B 21/004  
434/112  
2014/0356819 A1 \* 12/2014  
Rodriguez  
Regalado ..... A61F 9/08  
434/114  
2015/0001995 A1 \* 1/2015 Takahashi ..... H01L 41/094  
310/330  
2015/0091834 A1 \* 4/2015 Johnson ..... G06F 3/016  
345/173  
2015/0125831 A1 \* 5/2015 Chandrashekar Nair  
..... G09B 21/004  
434/114  
2015/0206453 A1 \* 7/2015 Yip ..... G09B 21/004  
434/113  
2015/0243189 A1 \* 8/2015 Jain ..... G09B 21/004  
434/113  
2015/0262509 A1 \* 9/2015 Labb ..... G09B 21/004  
434/113  
2015/0317915 A1 \* 11/2015 Nelson ..... G09B 21/02  
434/114  
2015/0363015 A1 \* 12/2015 Jagtman ..... G06F 3/041  
345/173  
2015/0379895 A1 \* 12/2015 Chari ..... G09B 21/004  
434/114  
2016/0018920 A1 \* 1/2016 Deokar ..... G06F 3/044  
345/174  
2016/0148538 A1 \* 5/2016 Al-Busaidi ..... G09B 21/02  
434/114

OTHER PUBLICATIONS

Solenoid Driven Mechanical Braille Actuator. youtube.com (online video) published May 10, 2013. [retrieved on Jun. 6, 2016]. Retrieved from Internet: <https://www.youtube.com/watch?v=LEMdf3dL3kY>.\*

Braille: Powerful Flexible Elegant-and Misunderstood. blood-dropsbrailledots.blogspot.com (online) published Mar. 20, 2012. [retrieved on Jun. 6, 2016]. Retrieved from Internet: <http://blood-dropsbrailledots.blogspot.com/2012/03/braille-powerful-flexible-elegant-and.html>.\*

\* cited by examiner

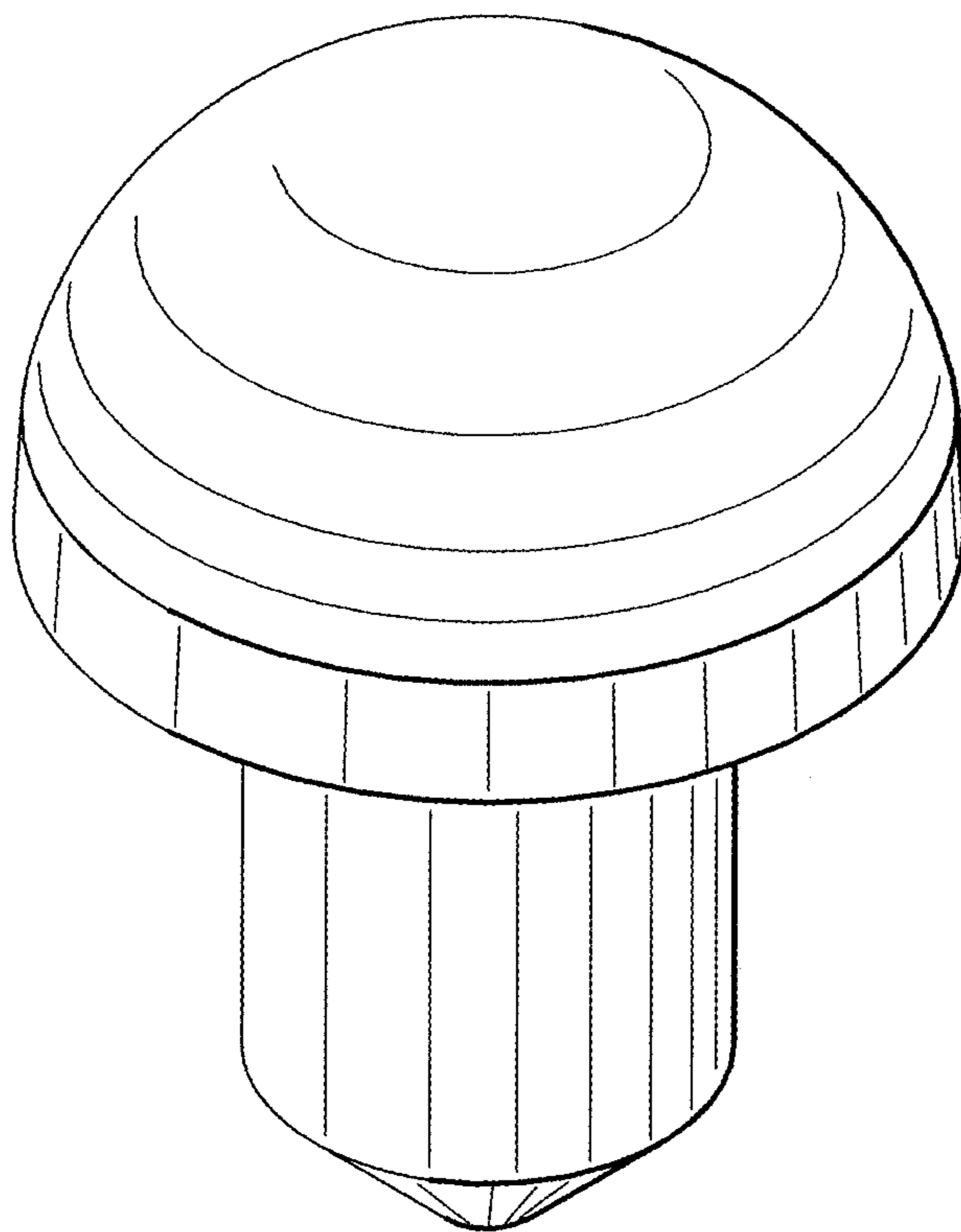


FIG. 1

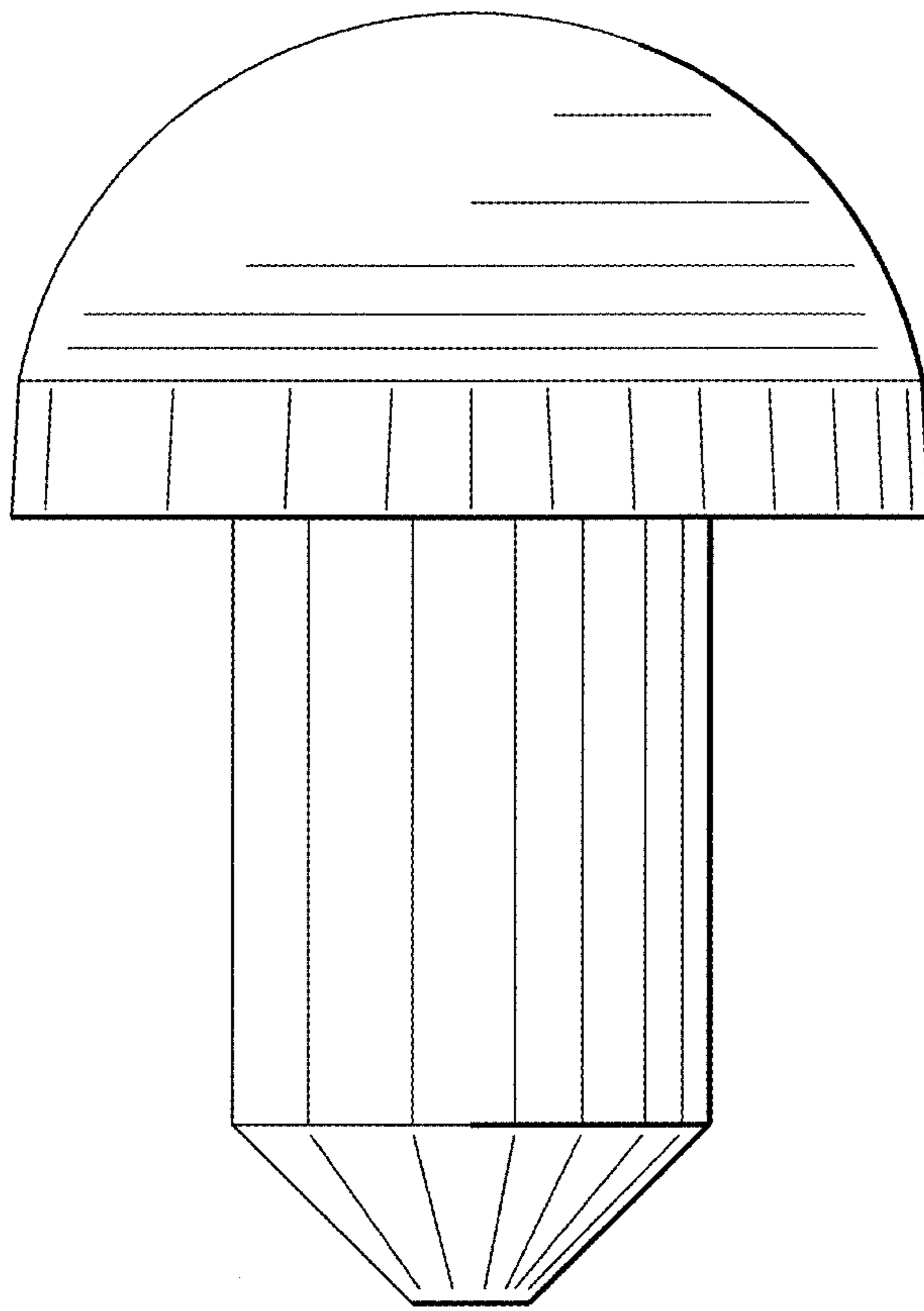


FIG. 2

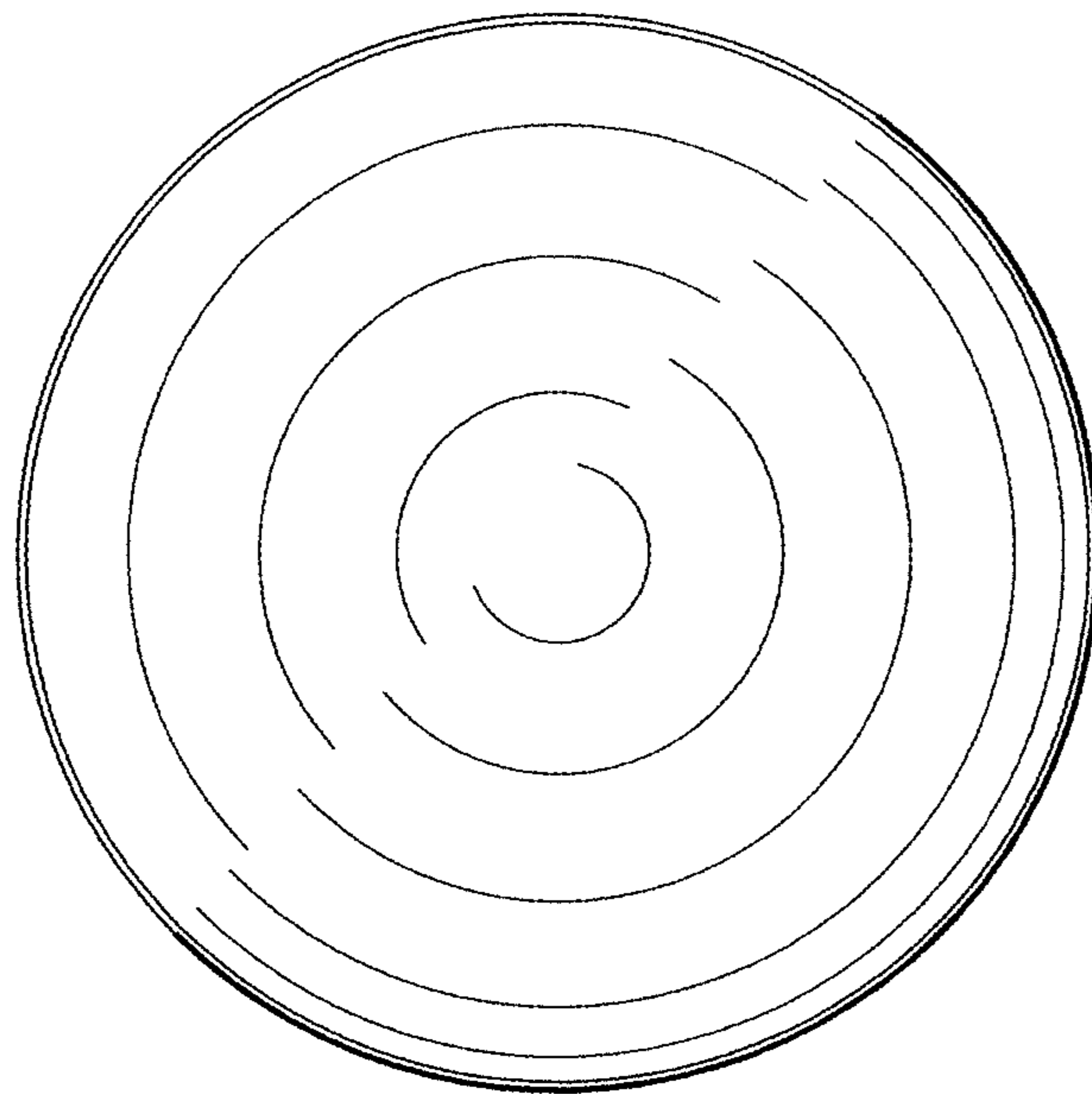


FIG. 3

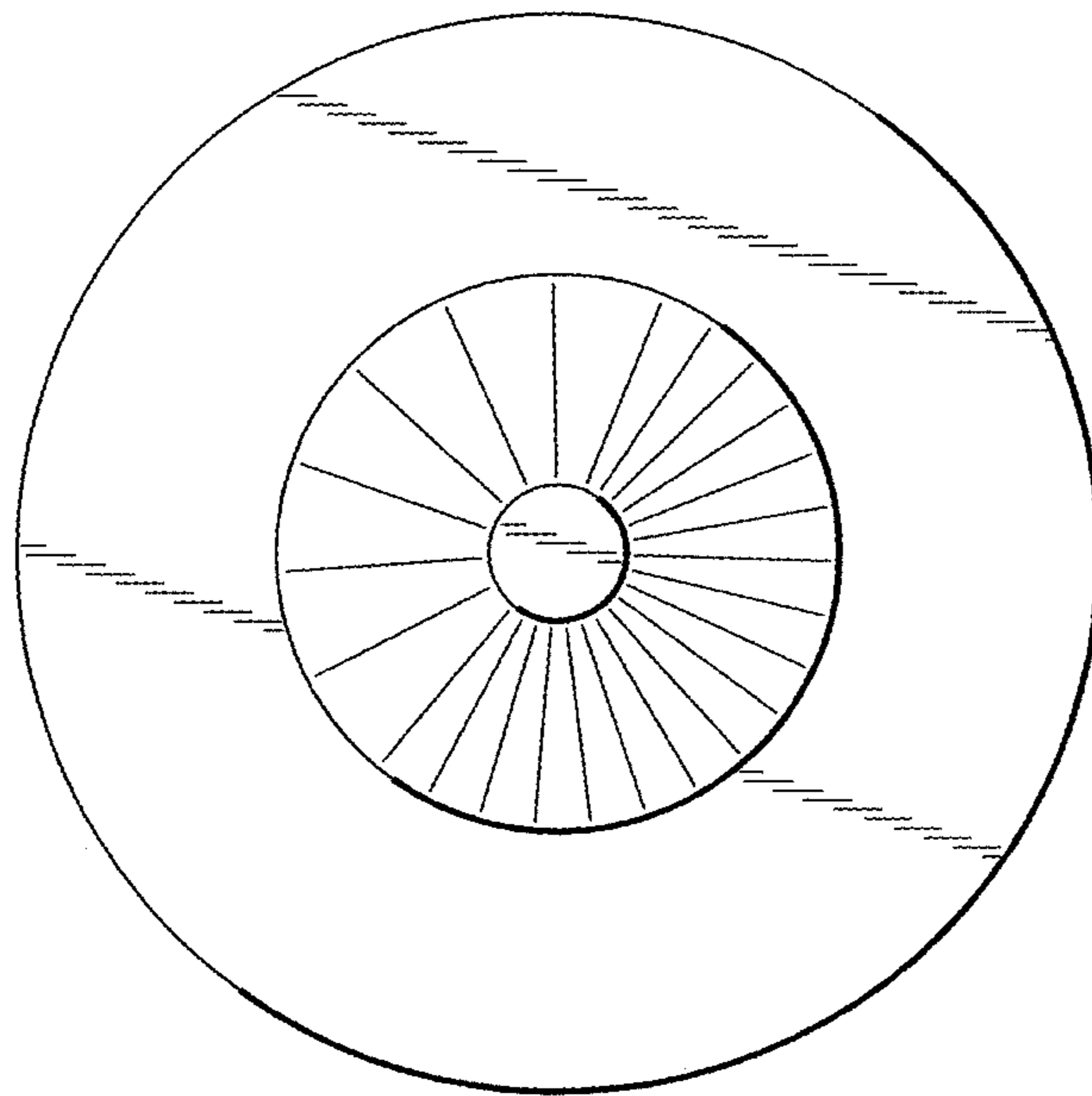


FIG. 4