



US00D778347S

(12) **United States Design Patent**  
**Gonzalez**

(10) **Patent No.:** **US D778,347 S**

(45) **Date of Patent:** **\*\* Feb. 7, 2017**

(54) **ELECTRONIC KEYBOARD**

(71) Applicant: **YAMAHA CORPORATION,**  
Hamamatsu-shi (JP)

(72) Inventor: **Jose Gonzalez,** Hamamatsu (JP)

(73) Assignee: **YAMAHA CORPORATION,**  
Hamamatsu (JP)

(\*\*) Term: **15 Years**

(21) Appl. No.: **29/533,337**

(22) Filed: **Jul. 16, 2015**

(30) **Foreign Application Priority Data**

Jan. 20, 2015 (JP) ..... 2015-000875

(51) **LOC (10) Cl.** ..... **17-01**

(52) **U.S. Cl.**  
USPC ..... **D17/7**

(58) **Field of Classification Search**

USPC ..... D3/204; D5/31; D17/1, 2, 4, 5, 7-9, 20,  
D17/24, 99; D19/150; D21/409, 586;  
84/177, 84/426, 719, 720, 744, 745

CPC ..... G10F 1/02; G10C 3/12  
See application file for complete search history.

(56) **References Cited**

**U.S. PATENT DOCUMENTS**

D258,899 S \* 4/1981 Hayama ..... D17/1  
D282,850 S \* 3/1986 Futami ..... D17/1

D400,910 S \* 11/1998 Mikage ..... D17/1  
D553,667 S \* 10/2007 Utsunomiya ..... D17/1  
D554,178 S \* 10/2007 Kawada ..... D17/1  
D572,297 S \* 7/2008 Utsunomiya ..... D17/1  
D572,298 S \* 7/2008 Sakaguchi ..... D17/1  
D572,299 S \* 7/2008 Sakaguchi ..... D17/1  
D572,300 S \* 7/2008 Hashimoto ..... D17/1  
D668,708 S \* 10/2012 Park ..... D17/1  
D668,709 S \* 10/2012 Williamson ..... D17/1  
D719,609 S \* 12/2014 Takei ..... D17/1

\* cited by examiner

*Primary Examiner* — Robert M Spear

*Assistant Examiner* — Darcey E Heflin

(74) *Attorney, Agent, or Firm* — Sughrue Mion, PLLC

(57) **CLAIM**

The ornamental design for an electronic keyboard, as shown and described.

**DESCRIPTION**

FIG. 1 is a perspective view of an electronic keyboard showing my new design;

FIG. 2 is a front view thereof;

FIG. 3 is a rear view thereof;

FIG. 4 is a left side view thereof;

FIG. 5 is a right side view thereof;

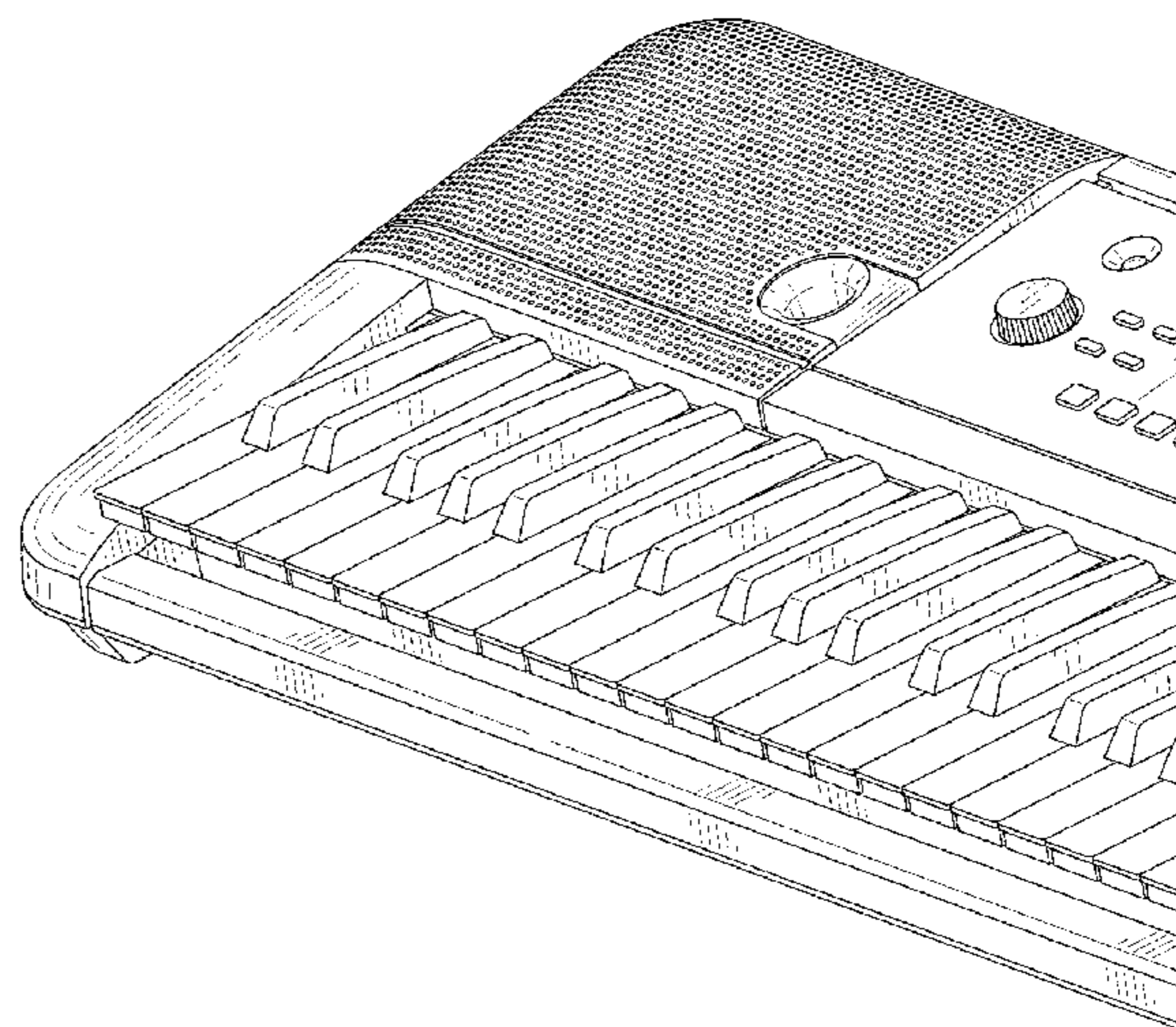
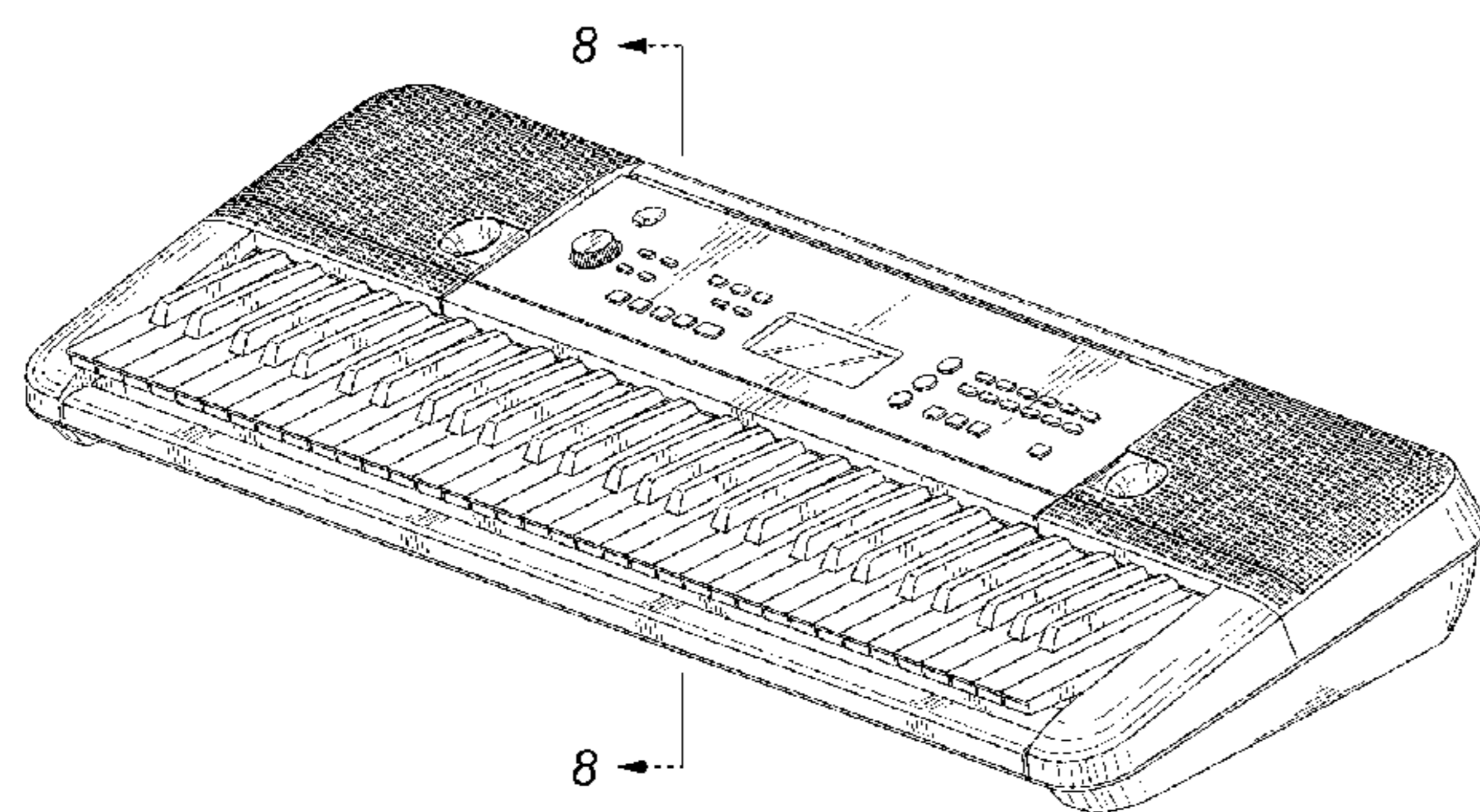
FIG. 6 is a top plan view thereof;

FIG. 7 is a bottom view thereof; and,

FIG. 8 is an enlarged view at 8-8 line thereof in FIG. 1.

The broken lines immediately adjacent shaded surfaces represent claim boundaries and form no part thereof.

**1 Claim, 6 Drawing Sheets**



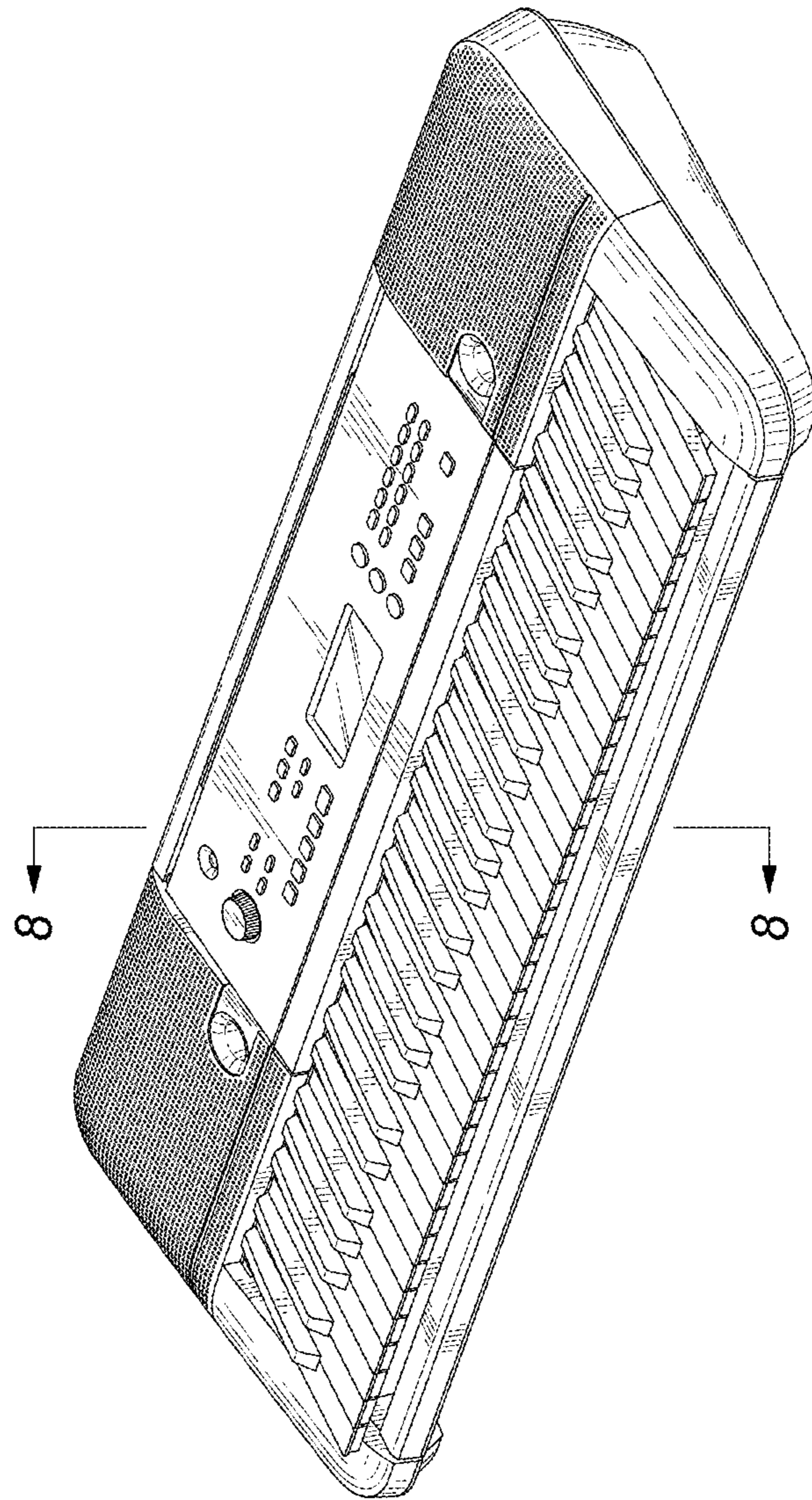


FIG. 1

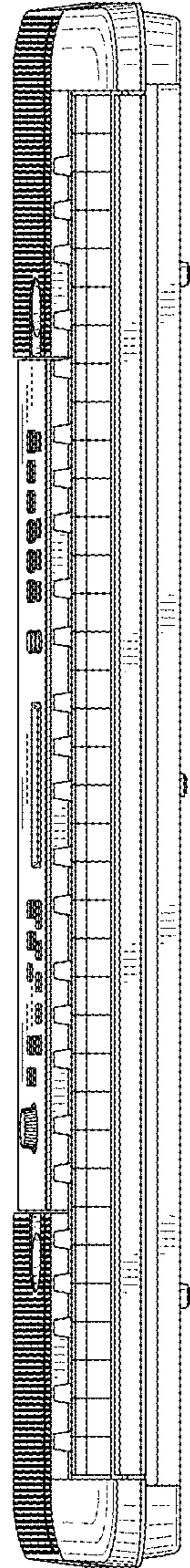


FIG. 2

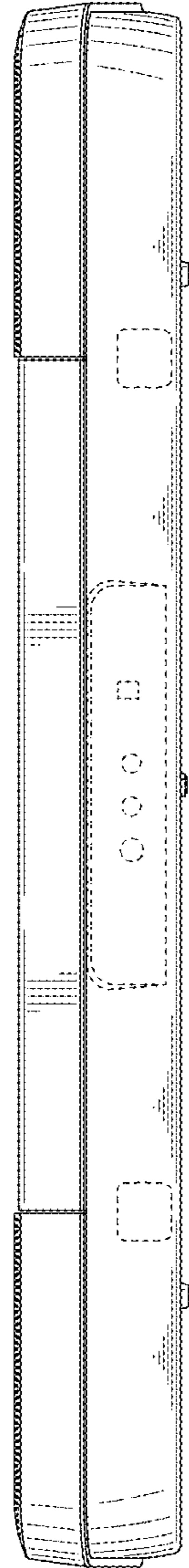


FIG. 3

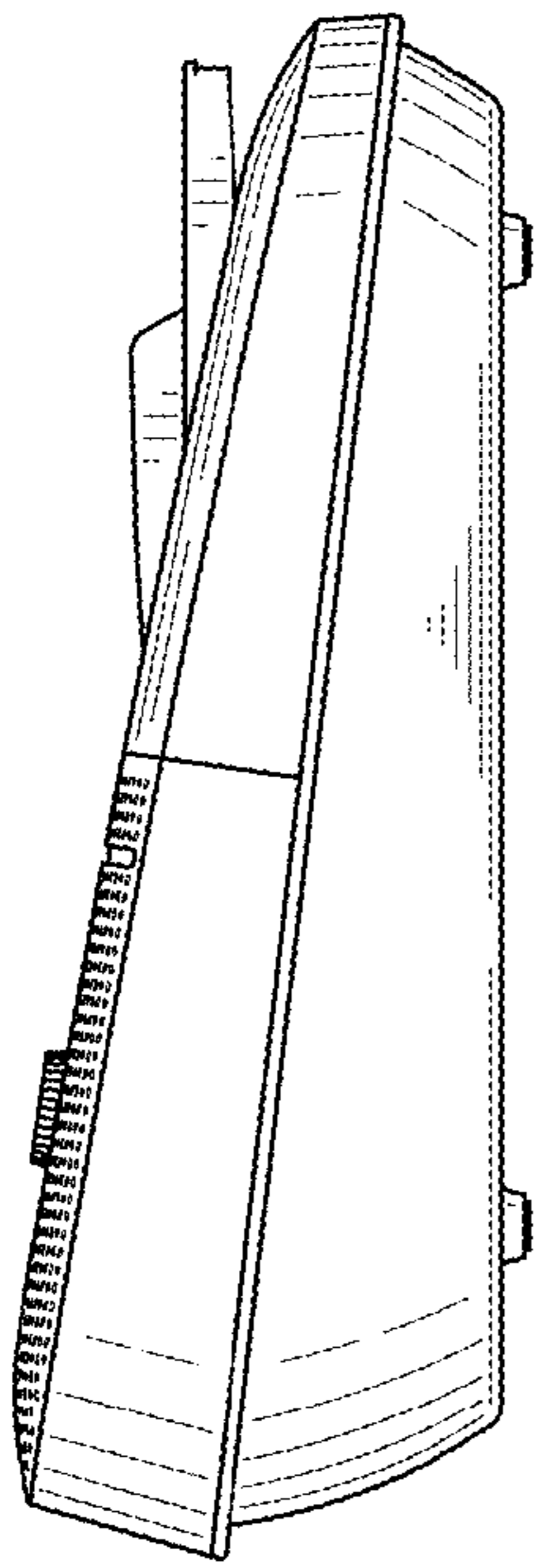


FIG. 4

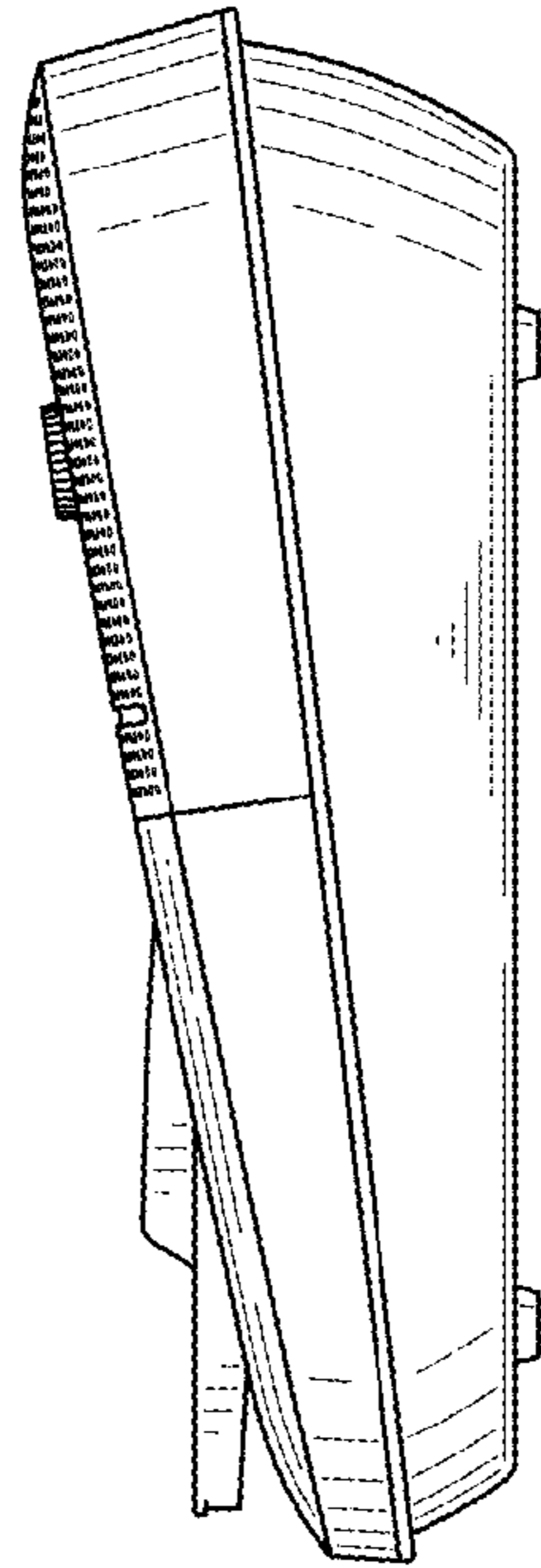


FIG. 5

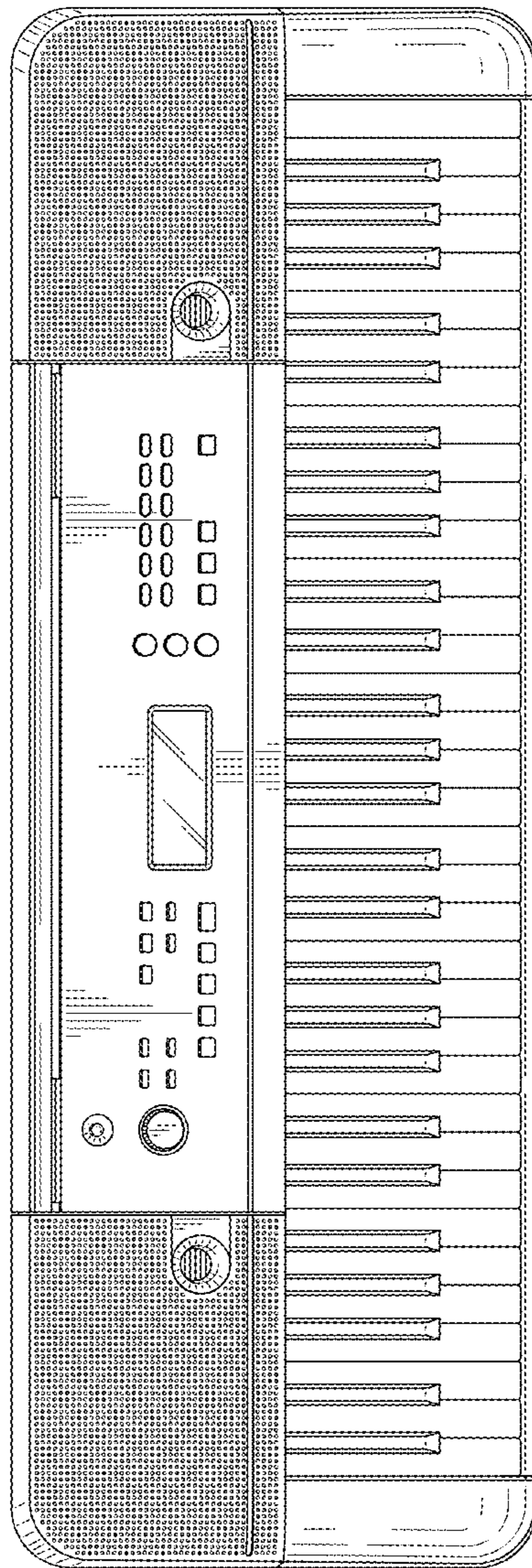


FIG. 6

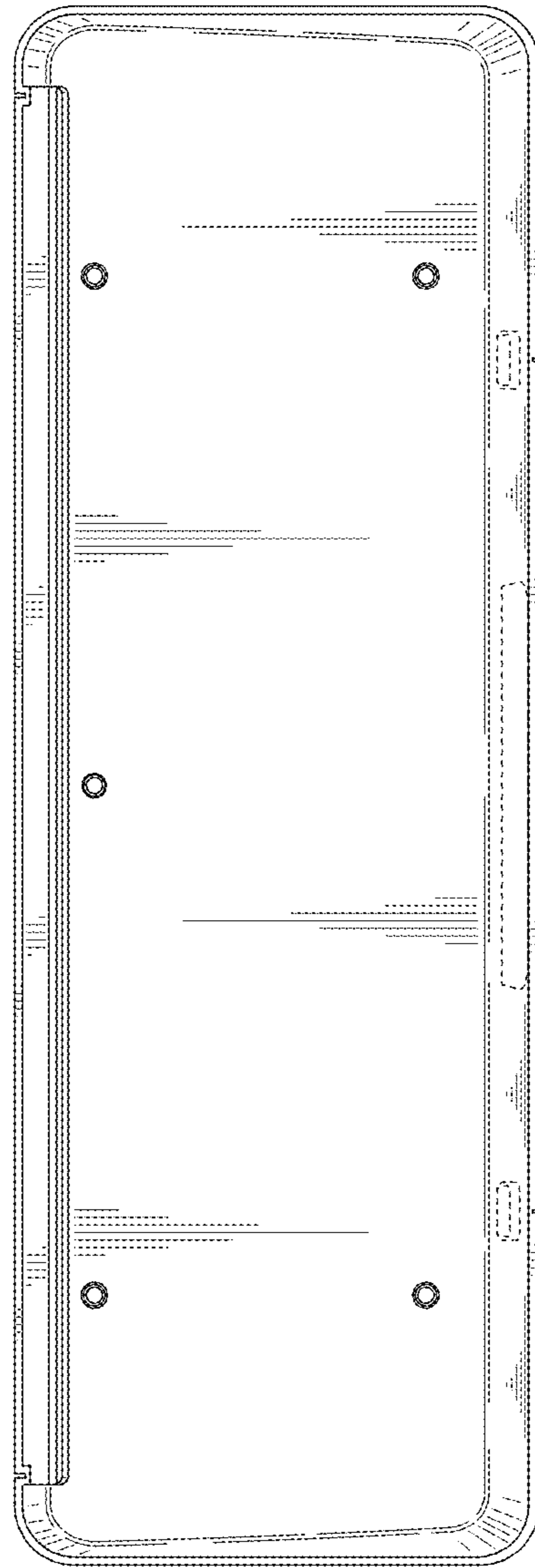


FIG. 7

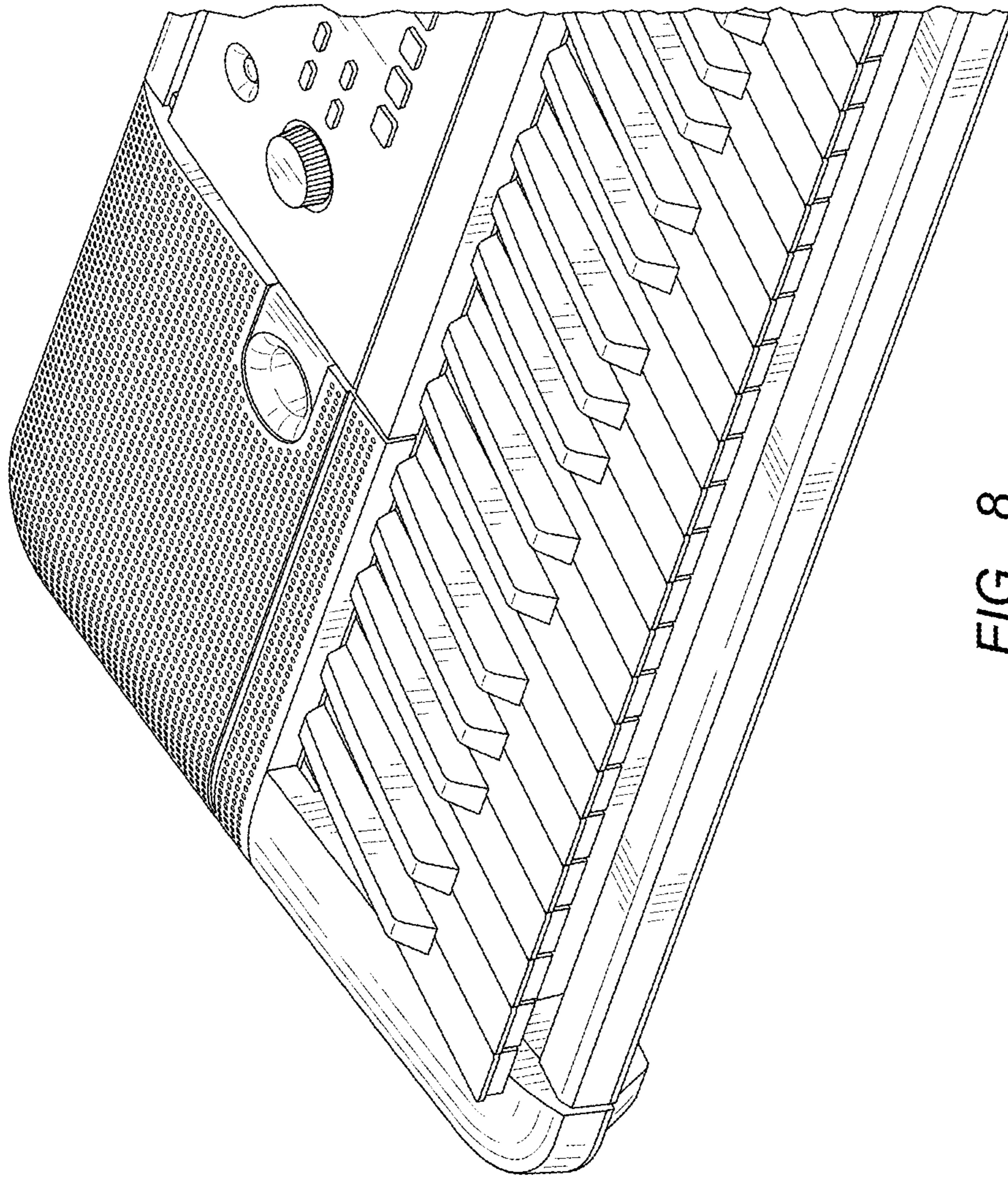


FIG. 8