



US00D778346S

(12) **United States Design Patent**
Katsumata

(10) **Patent No.:** **US D778,346 S**

(45) **Date of Patent:** **** Feb. 7, 2017**

(54) **ELECTRONIC KEYBOARD**

D508,070 S * 8/2005 Tanaka D17/1
D555,712 S * 11/2007 Sato D17/1
D680,519 S * 4/2013 Ito D14/217

(71) Applicant: **YAMAHA CORPORATION,**
Hamamatsu-shi (JP)

(72) Inventor: **Yoshihiro Katsumata,** Hamamatsu (JP)

(73) Assignee: **YAMAHA CORPORATION,**
Hamamatsu-shi (JP)

(**) Term: **15 Years**

(21) Appl. No.: **29/543,514**

(22) Filed: **Oct. 26, 2015**

(30) **Foreign Application Priority Data**

Apr. 27, 2015 (JP) 2015-009374
Apr. 27, 2015 (JP) 2015-009379

(51) **LOC (10) Cl.** **17-01**

(52) **U.S. Cl.**
USPC **D17/1**

(58) **Field of Classification Search**
USPC D17/1, 2, 7-9; D14/175, 188, 196-198,
D14/217, 257, 258, 496; D21/405, 409;
84/720, 84/743-745
CPC G10C 3/12; G10C 1/00; G10H 2220/221
See application file for complete search history.

(56) **References Cited**

U.S. PATENT DOCUMENTS

4,730,533 A * 3/1988 Schoerkmayr G10H 1/34
84/470 R
D317,931 S * 7/1991 Koide D17/1
D318,058 S * 7/1991 Koide D17/1
D320,611 S * 10/1991 Ono D17/1
D431,588 S * 10/2000 Ohno D17/1

OTHER PUBLICATIONS

Hansen Music-Keyboards, posted at hansenmusic.net, earliest date available Apr. 26, 2013, [online], acquired on Jul. 1, 2016. Available from Internet, <URL: http://www.hansenmusic.net/keyboards.html>.*

Alesis QX49 USB/MIDI keyboard, posted at techgadgets.in, earliest date available 2011, [online], acquired on Jul. 1, 2016. Available from Internet, <URL: http://www.techgadgets.in/peripherals/2011/17/alesis-dishes-out-qx49-keyboard-controller/>.*

Examination Report issued on Oct. 27, 2015 by the Office for Harmonization in the Internal Market in the corresponding RCD Application No. 002836924-0001.

* cited by examiner

Primary Examiner — Cathron Brooks

Assistant Examiner — Aula Soroush

(74) *Attorney, Agent, or Firm* — Sughrue Mion, PLLC

(57) **CLAIM**

The ornamental design for an electronic keyboard, as shown and described.

DESCRIPTION

FIG. 1 is a front, top, right side perspective view of an electronic keyboard showing my new design;

FIG. 2 is a front view thereof;

FIG. 3 is a rear view thereof;

FIG. 4 is a left side view thereof;

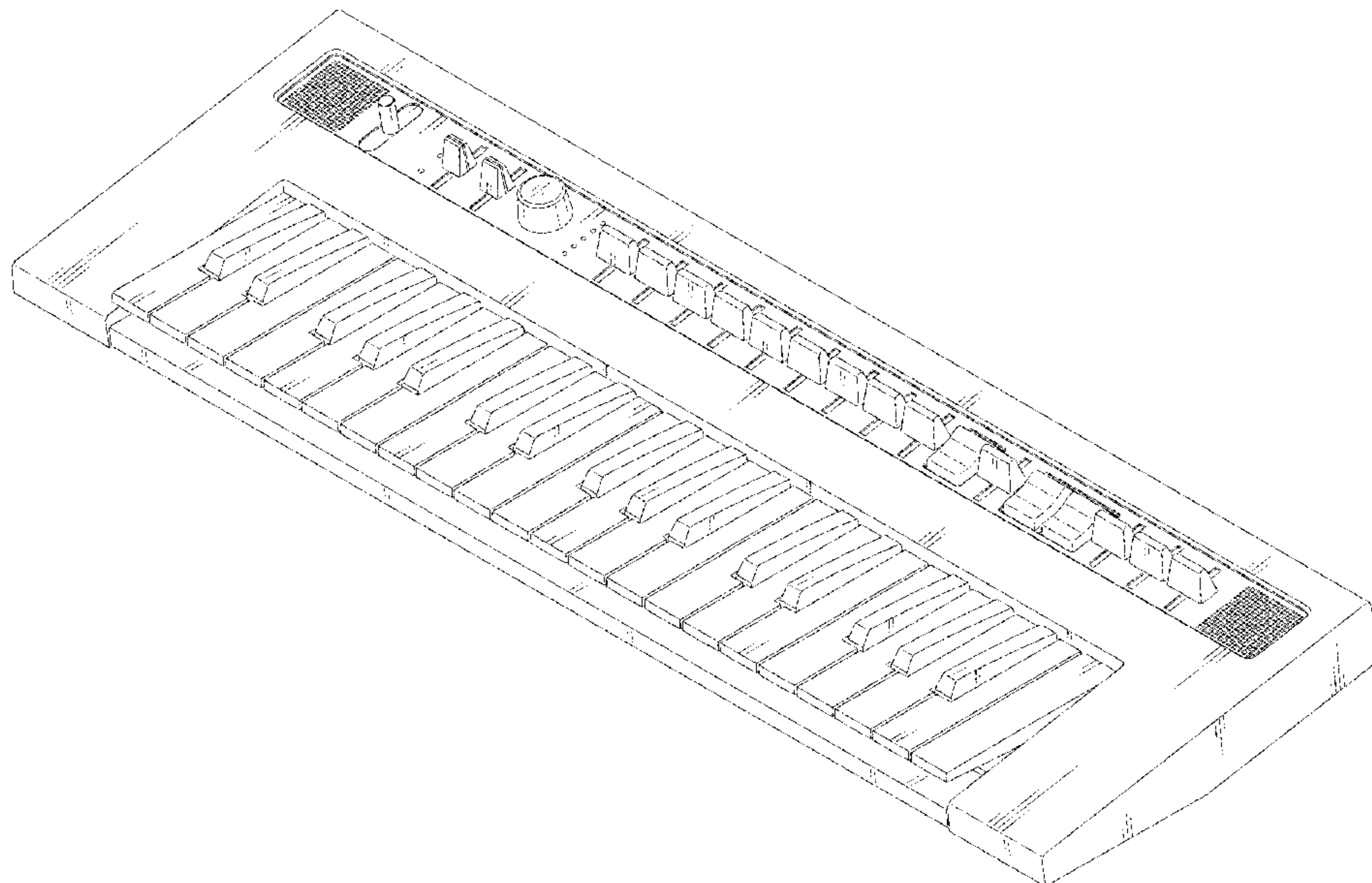
FIG. 5 is a right side view thereof;

FIG. 6 is a top plan view thereof; and,

FIG. 7 is a bottom view thereof.

The broken lines in the drawings illustrate portions of the electronic keyboard that form no part of the claimed design.

1 Claim, 5 Drawing Sheets



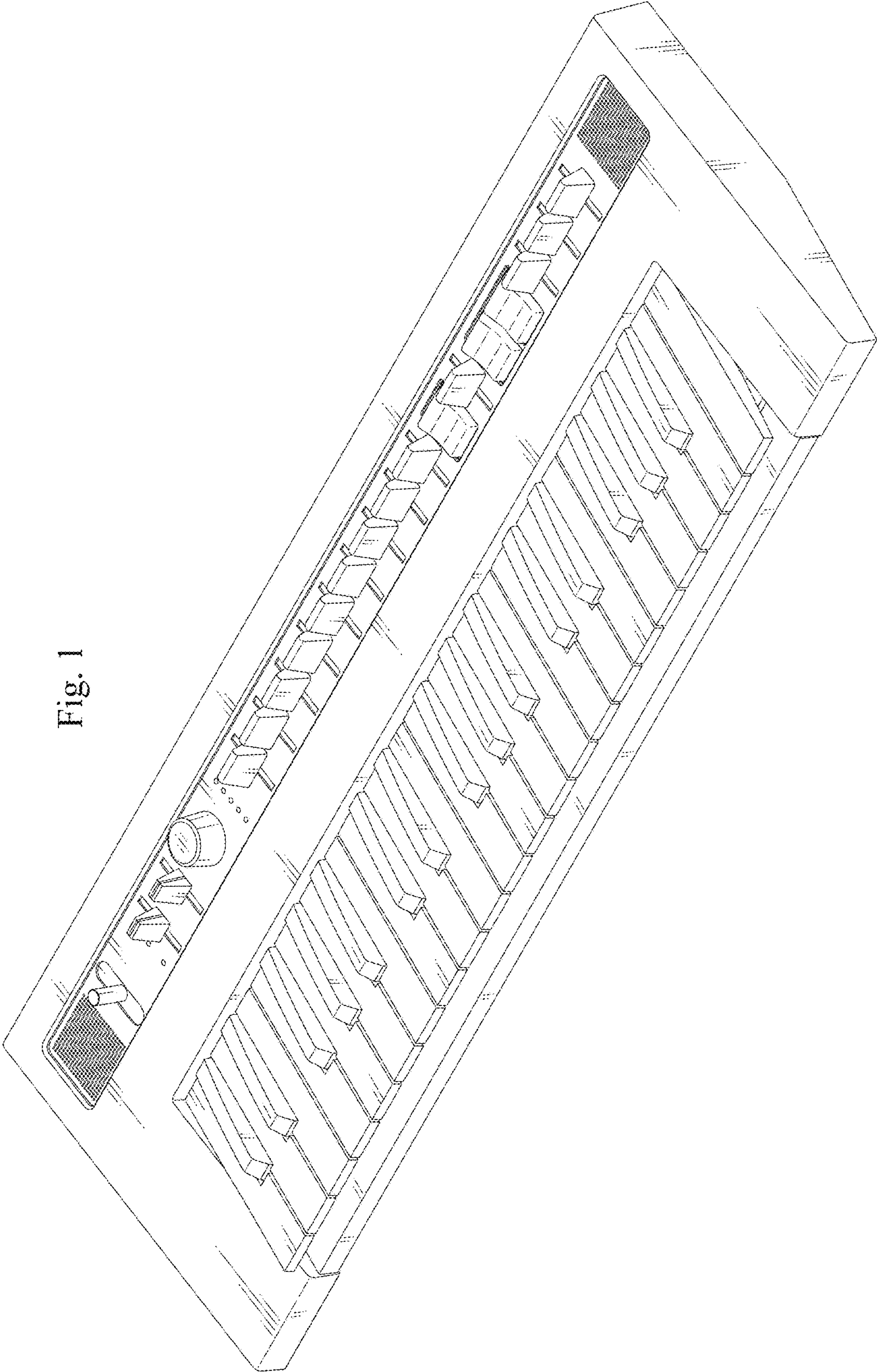


Fig. 1

Fig. 2

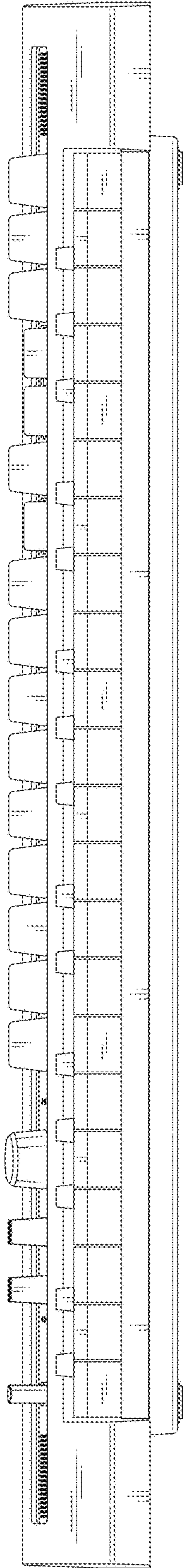


Fig. 3

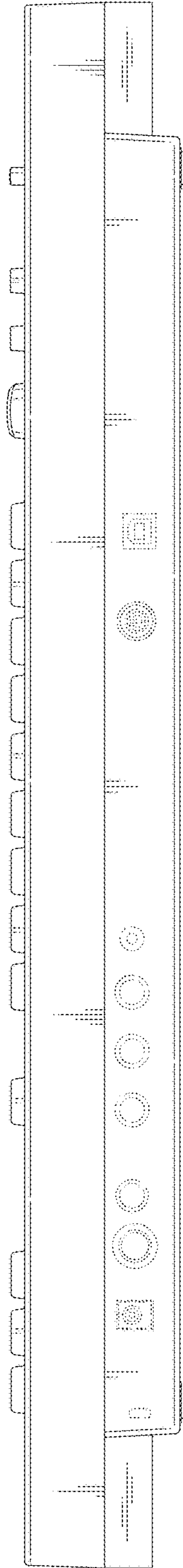


Fig. 4

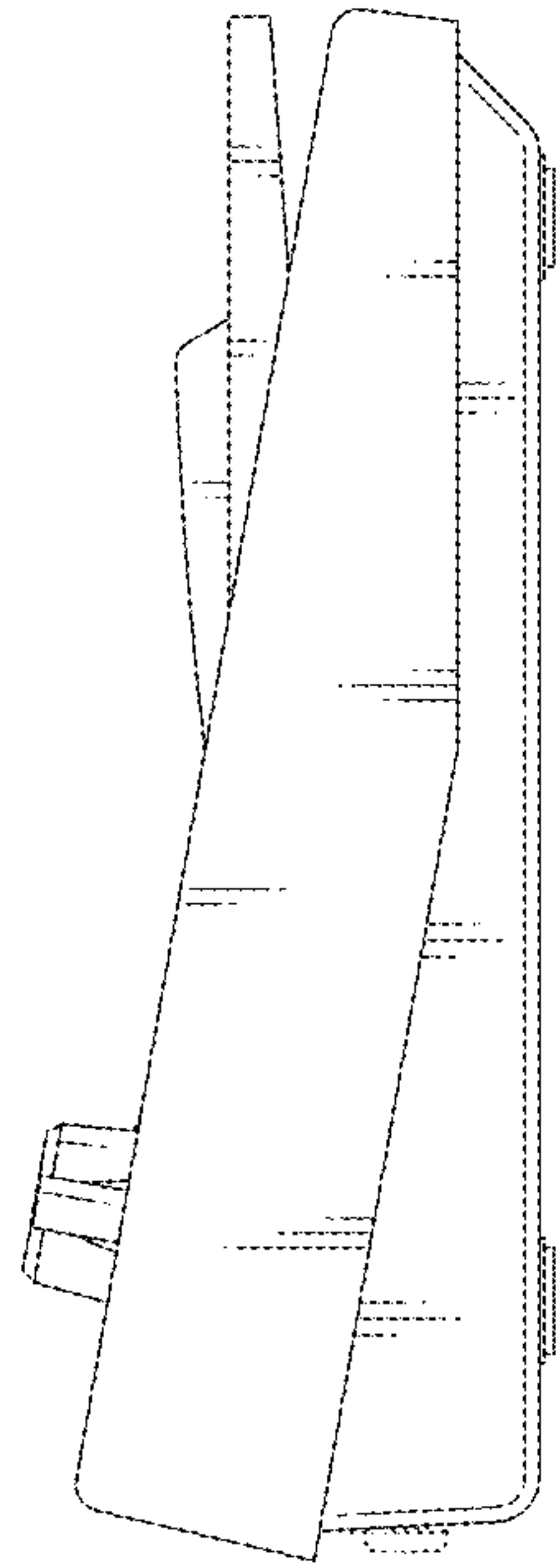


Fig. 5

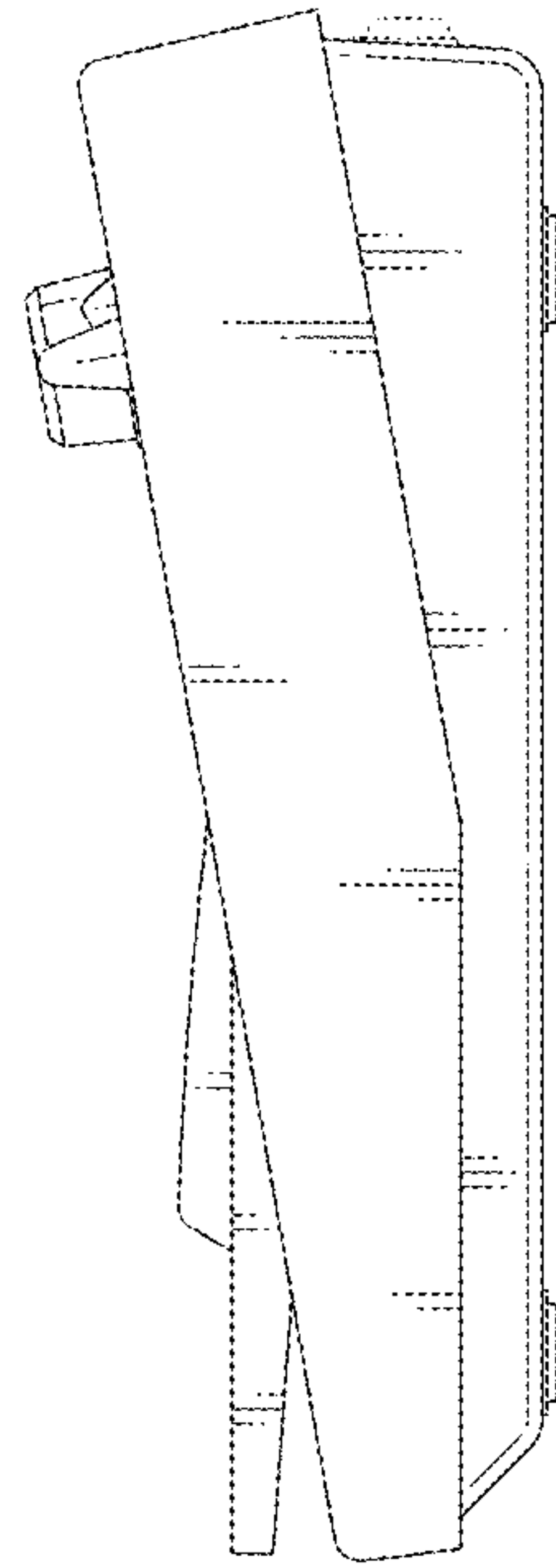


Fig. 6

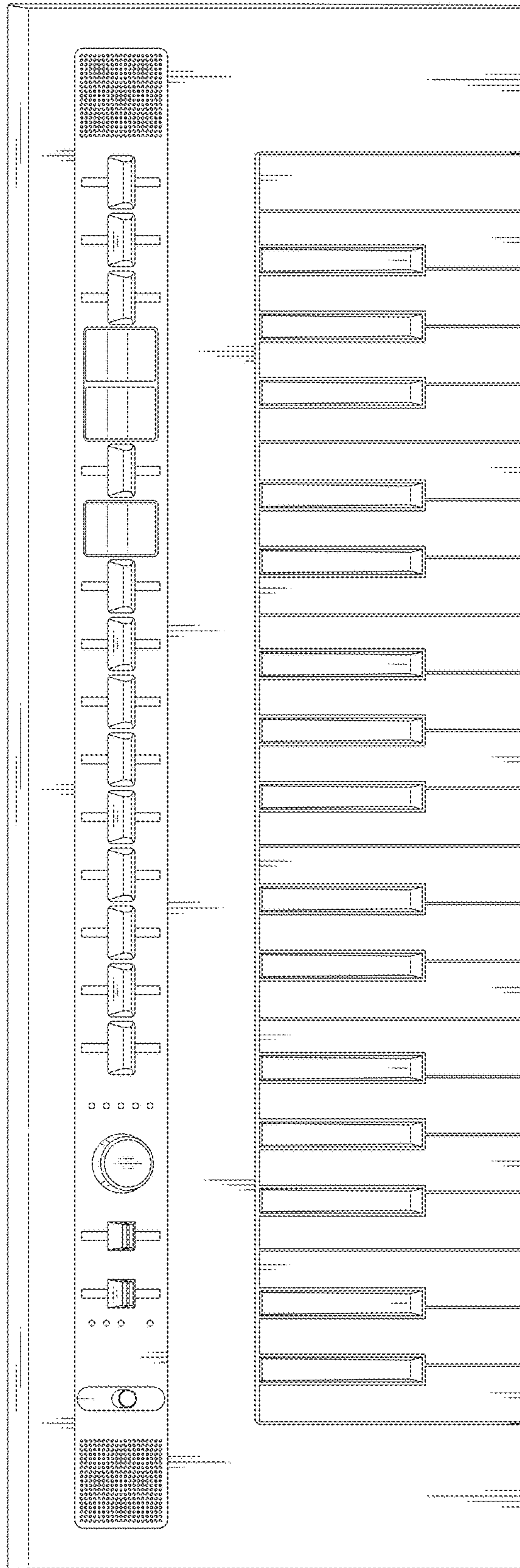


Fig. 7

