



US00D778345S

(12) **United States Design Patent** (10) **Patent No.:** **US D778,345 S**
Katsumata (45) **Date of Patent:** **** Feb. 7, 2017**

(54) **ELECTRONIC KEYBOARD**

- (71) Applicant: **YAMAHA CORPORATION**,
Hamamatsu-shi, Shizuoka (JP)
- (72) Inventor: **Yoshihiro Katsumata**, Hamamatsu (JP)
- (73) Assignee: **YAMAHA CORPORATION**, Shizuoka
(JP)
- (**) Term: **15 Years**
- (21) Appl. No.: **29/543,506**
- (22) Filed: **Oct. 26, 2015**

(30) **Foreign Application Priority Data**

Apr. 27, 2015 (JP) 2015-009377

(51) **LOC (10) Cl.** **17-01**

(52) **U.S. Cl.**
USPC **D17/1**

(58) **Field of Classification Search**
USPC D17/1, 2, 7-9; D14/175, 188, 196-198,
D14/217, 257, 258, 496; D21/405, 409;
84/720, 84/743-745
CPC G10C 3/12; G10C 1/00; G10H 2220/221
See application file for complete search history.

(56) **References Cited**

U.S. PATENT DOCUMENTS

D235,161 S *	5/1975	Mayer	D17/1
D510,747 S *	10/2005	Lin	D14/395
D569,415 S *	5/2008	Shigeru	D17/1
D595,760 S *	7/2009	Reichhuber	D17/1
D599,396 S *	9/2009	Davey	D17/1
D667,867 S *	9/2012	Kitazawa	D17/1
D668,287 S *	10/2012	Kitazawa	D17/1
D680,519 S *	4/2013	Ito	D14/217
2015/0262565 A1 *	9/2015	Lifshitz	G10H 1/344 84/433

OTHER PUBLICATIONS

Best Midi Controllers for FL Studio, posted at flstudiofanatic.com, earliest date available Jun. 6, 2011, [online], acquired on Jul. 1, 2016. Available from Internet, <URL: <http://flstudiofanatic.com/best-midi-controllers-for-fl-studio.html>>.*

NAMM 2014: Alesis unveils the V and VI Series Keyboard Controllers, posted at gearslutz.com, earliest date available Jan. 22, 2014, [online], acquired on Jul. 1, 2016. Available from Internet, <URL: <https://www.gearslutz.com/board/product-alerts-older-than-2-months/900328-namm-2014-alesis-unveils-v-vi-series-keyboard-controllers.html>>.*

Clavia Nord Modular G2 Synthesizer with Keyboard, posted at zzounds.com, earliest date available Mar. 27, 2005, [online], acquired on Jul. 1, 2016. Available from Internet, <URL: <http://www.zzounds.com/productreview--NORMODULARG2>>.*

Examination report dated Dec. 1, 2015, issued by the Office for Harmonization in the Internal Market (Trademarks and Designs) in counterpart RCD Application No. 002836924.

* cited by examiner

Primary Examiner — Cathron Brooks
Assistant Examiner — Aulo Soroush
 (74) *Attorney, Agent, or Firm* — Sughrue Mion, PLLC

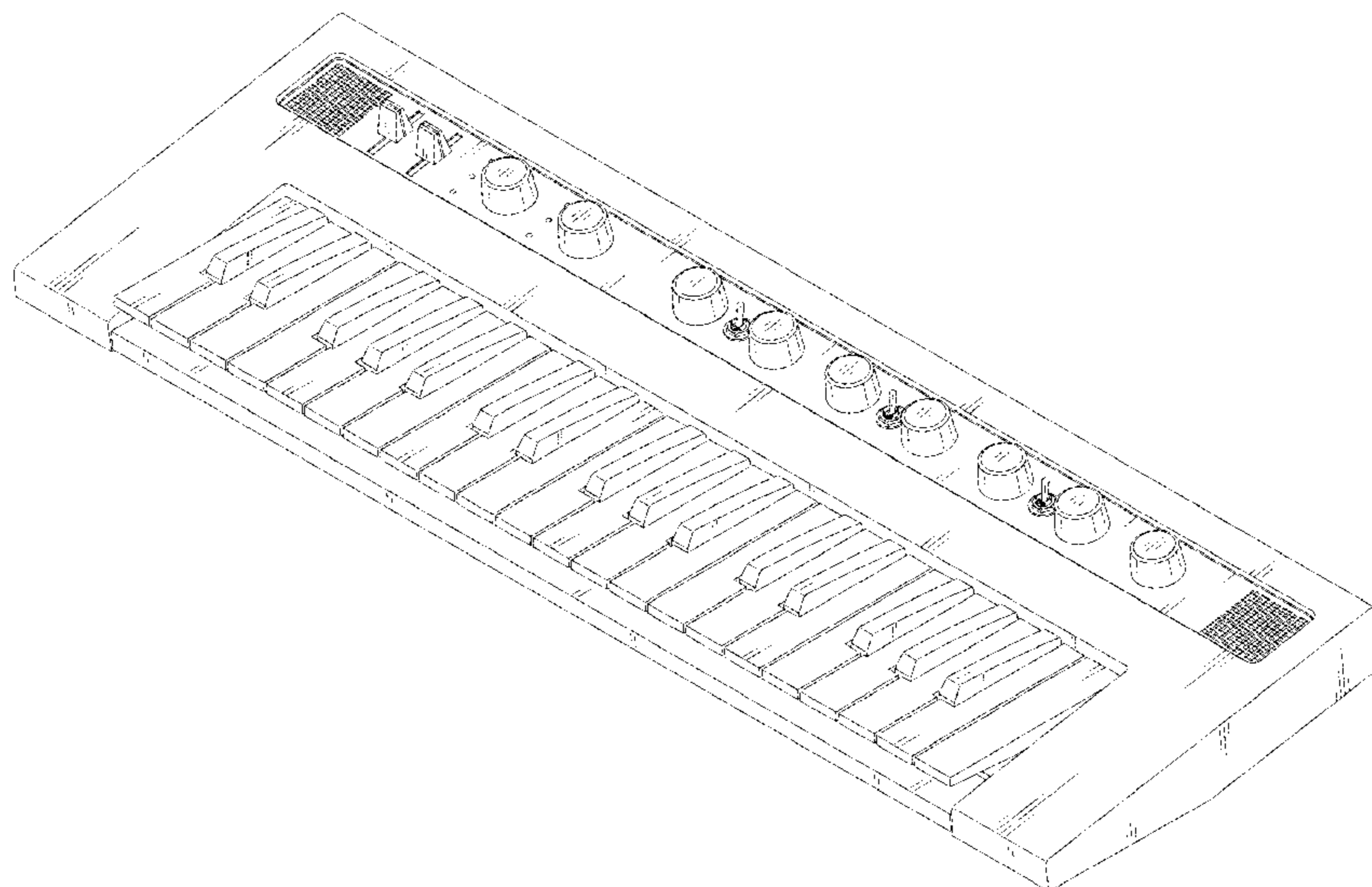
(57) **CLAIM**

The ornamental design for an electronic keyboard, as shown and described.

DESCRIPTION

FIG. 1 is a front, top, right side perspective view of an electronic keyboard showing my new design;
 FIG. 2 is a front view thereof;
 FIG. 3 is a rear view thereof;
 FIG. 4 is a left side view thereof;
 FIG. 5 is a right side view thereof;
 FIG. 6 is a top plan view thereof; and,
 FIG. 7 is a bottom plan view thereof.
 The broken lines in the drawings illustrate portions of the electronic keyboard that form no part of the claimed design.

1 Claim, 5 Drawing Sheets



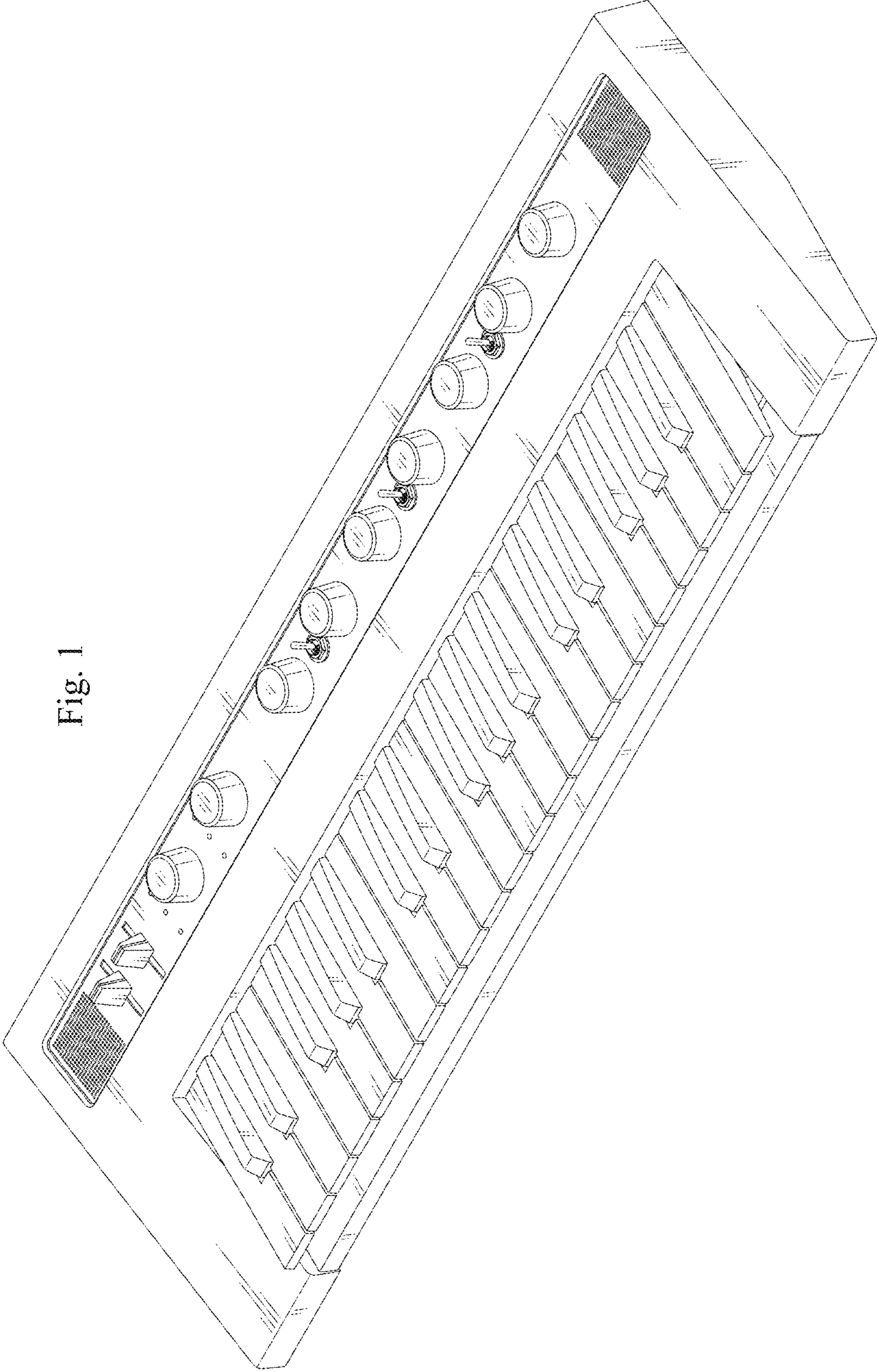


Fig. 1

Fig. 2

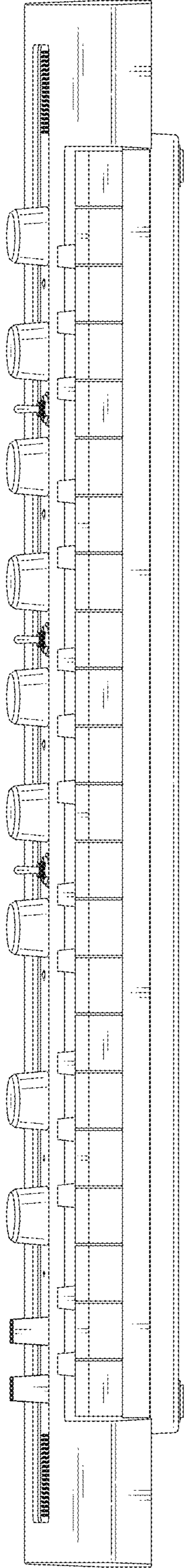


Fig. 3

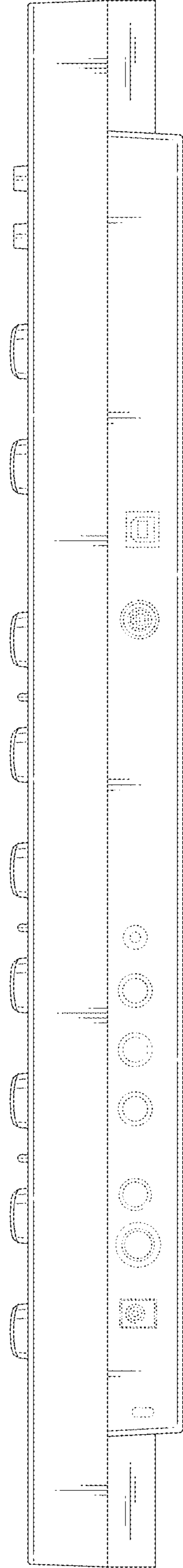


Fig. 4

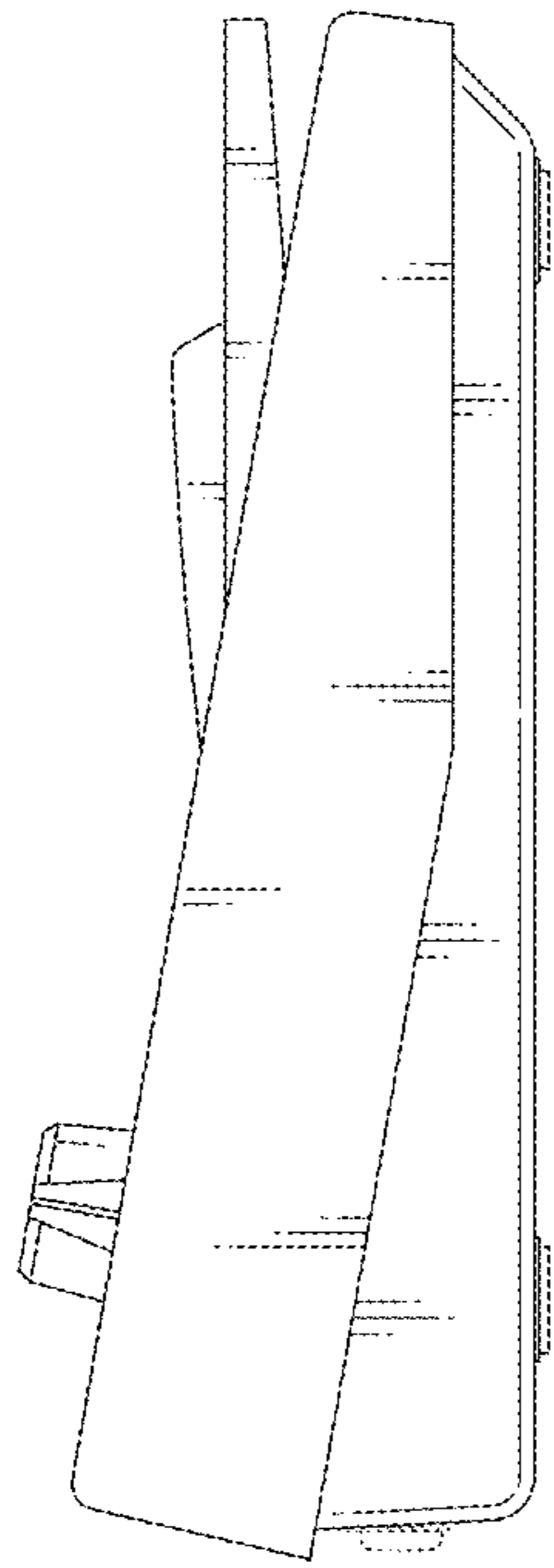


Fig. 5

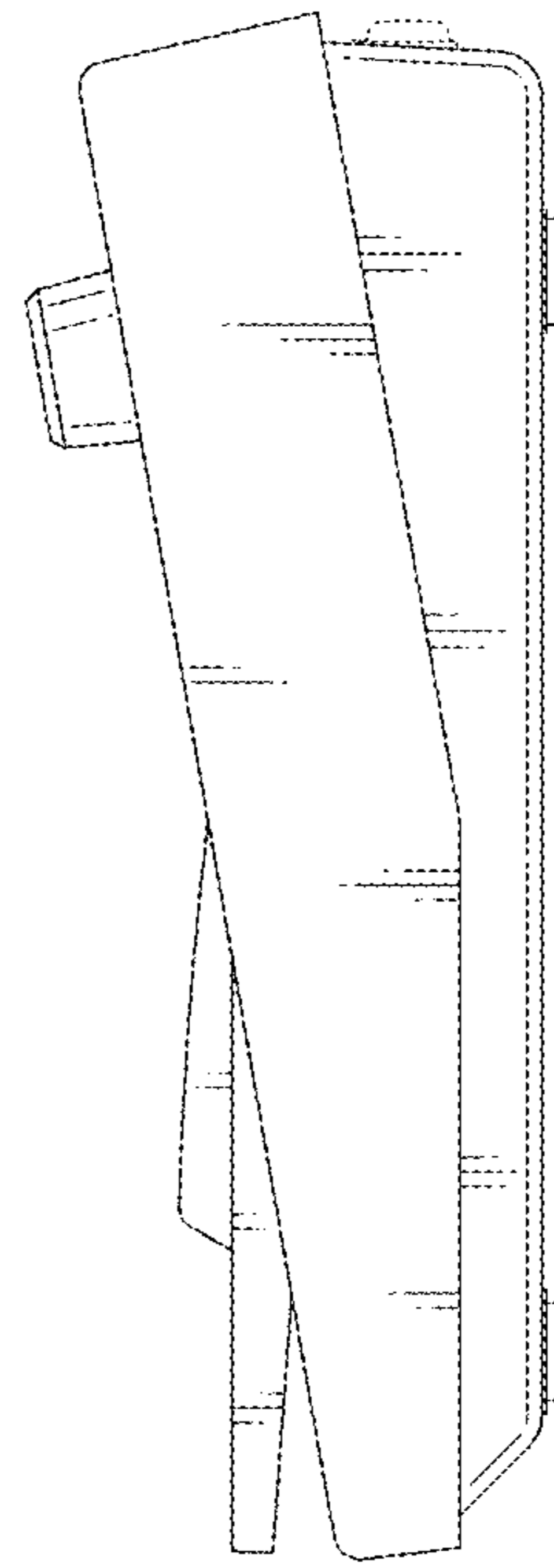


Fig. 6

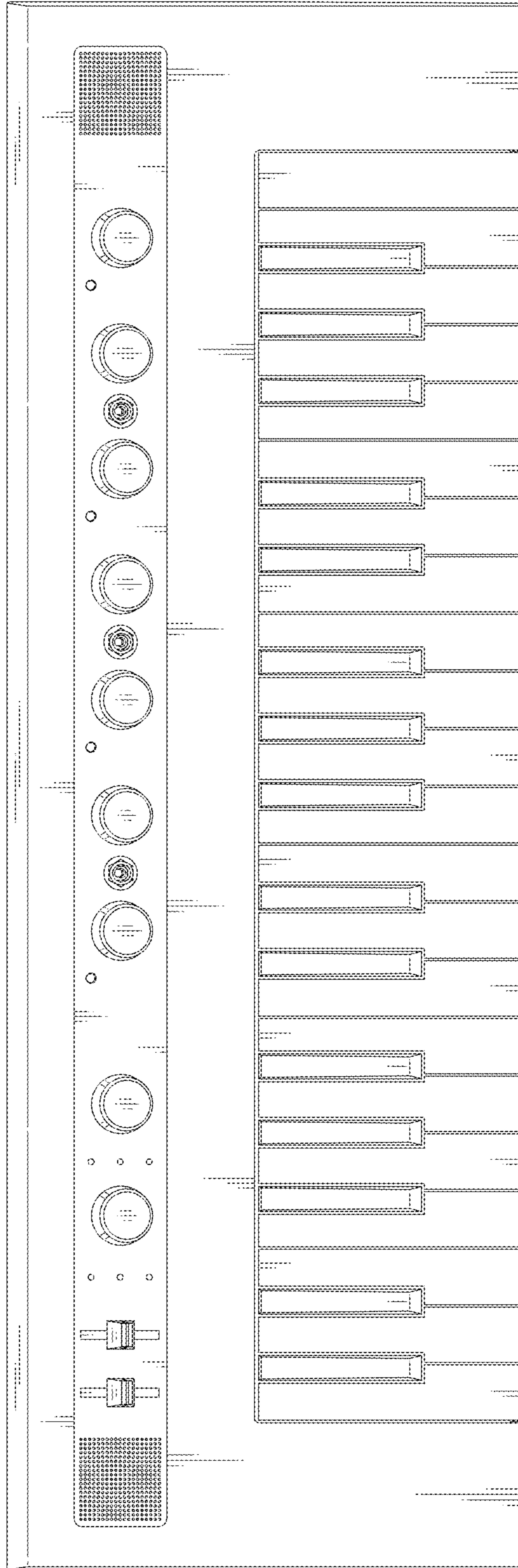


Fig. 7

