



US00D778344S

(12) **United States Design Patent** (10) **Patent No.:** **US D778,344 S**  
**Katsumata** (45) **Date of Patent:** **\*\* Feb. 7, 2017**

(54) **ELECTRONIC KEYBOARD**

- (71) Applicant: **YAMAHA CORPORATION**,  
Hamamatsu-shi (JP)
- (72) Inventor: **Yoshihiro Katsumata**, Hamamatsu (JP)
- (73) Assignee: **YAMAHA CORPORATION**,  
Hamamatsu-shi (JP)
- (\*\*) Term: **15 Years**
- (21) Appl. No.: **29/543,504**
- (22) Filed: **Oct. 26, 2015**

(30) **Foreign Application Priority Data**

Apr. 27, 2015 (JP) ..... 2015-009376

(51) **LOC (10) Cl.** ..... **17-01**

(52) **U.S. Cl.**  
USPC ..... **D17/1**

(58) **Field of Classification Search**

USPC ..... D17/1, 2, 7-9; D14/175, 188, 196-198,  
D14/217, 257, 258, 496; D21/405, 409;  
84/720, 84/743-745

CPC ..... G10C 3/12; G10C 1/00; G10H 2220/221

See application file for complete search history.

(56) **References Cited**

**U.S. PATENT DOCUMENTS**

- 4,730,533 A \* 3/1988 Schoerkmayr ..... G10H 1/34  
84/470 R
- D317,931 S \* 7/1991 Koide ..... D17/1
- D318,058 S \* 7/1991 Koide ..... D17/1
- D320,611 S \* 10/1991 Ono ..... D17/1
- D431,588 S \* 10/2000 Ohno ..... D17/1
- D508,070 S \* 8/2005 Tanaka ..... D17/1
- D555,712 S \* 11/2007 Sato ..... D17/1
- D680,519 S \* 4/2013 Ito ..... D14/217

**OTHER PUBLICATIONS**

Hansen Music-Keyboard, posted at hansenmusic.net, earliest date available Apr. 26, 2013, [online], acquired on Jul. 1, 2016. Available from Internet, <URL: <http://www.hansenmusic.net/keyboards.html>>.\*

Alesis QX49 USB/MIDI keyboard, posted at techgadgets.in, earliest date available 2011, [online], acquired on Jul. 1, 2016. Available from Internet, <URL: <http://www.techgadgets.in/peripherals/2011/17/alesis-dishes-out-qx49-keyboard-controller/>>.\*

Examination Report dated Dec. 1, 2015, issued by the Office for Harmonization in the Internal Market in counterpart Community Design Application No. 002836924.

\* cited by examiner

*Primary Examiner* — Cathron Brooks

*Assistant Examiner* — Aula Soroush

(74) *Attorney, Agent, or Firm* — Sughrue Mion, PLLC

(57) **CLAIM**

The ornamental design for an electronic keyboard, as shown and described.

**DESCRIPTION**

FIG. 1 is a front, top and right side perspective view of an electronic keyboard showing my new design;

FIG. 2 is a front view thereof;

FIG. 3 is a rear view thereof;

FIG. 4 is a left side view thereof;

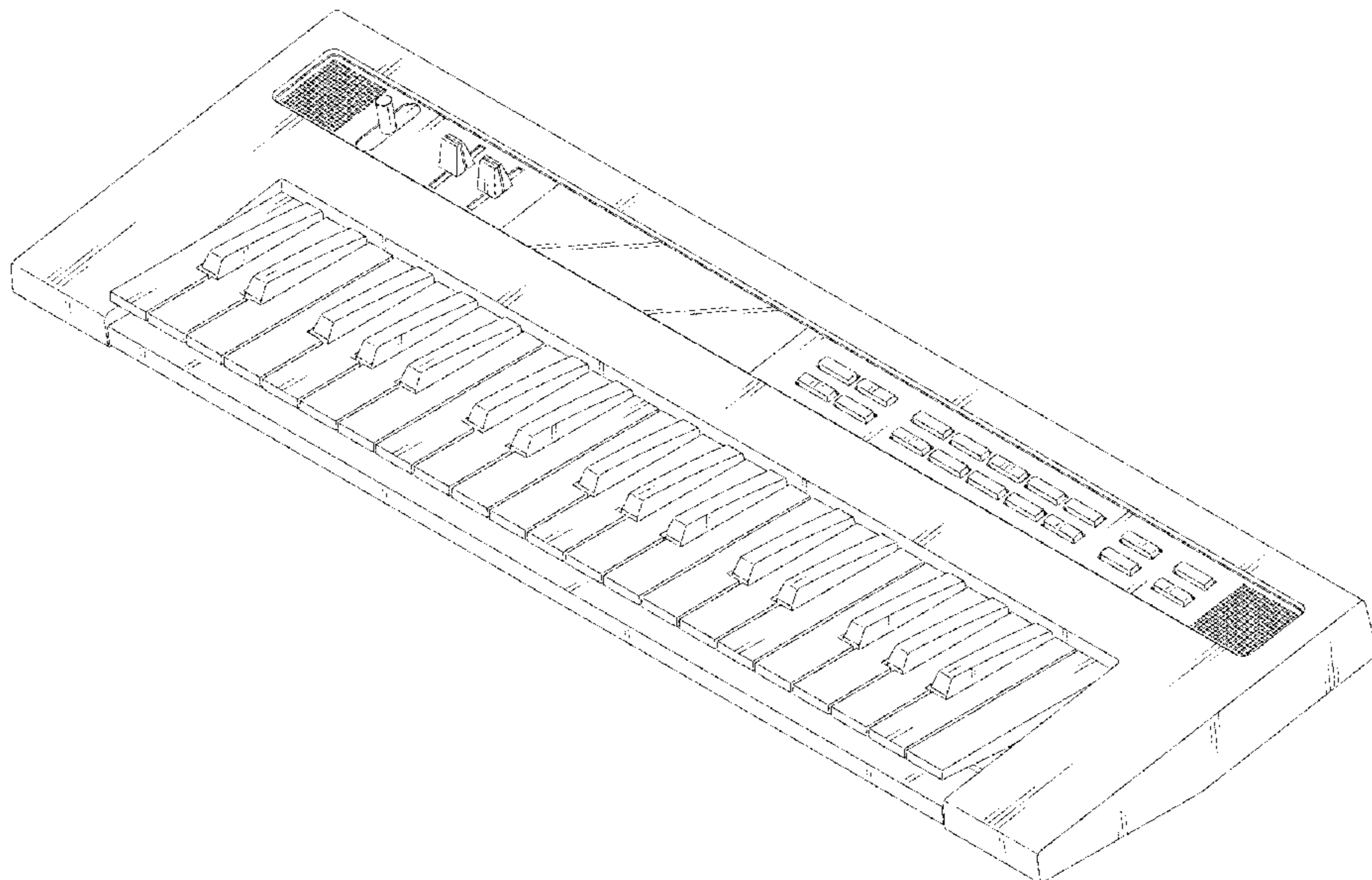
FIG. 5 is a right side view thereof;

FIG. 6 is a top plan view thereof; and,

FIG. 7 is a bottom plan view thereof.

The broken lines in the drawings illustrate portions of the electronic keyboard that form no part of the claimed design.

**1 Claim, 5 Drawing Sheets**



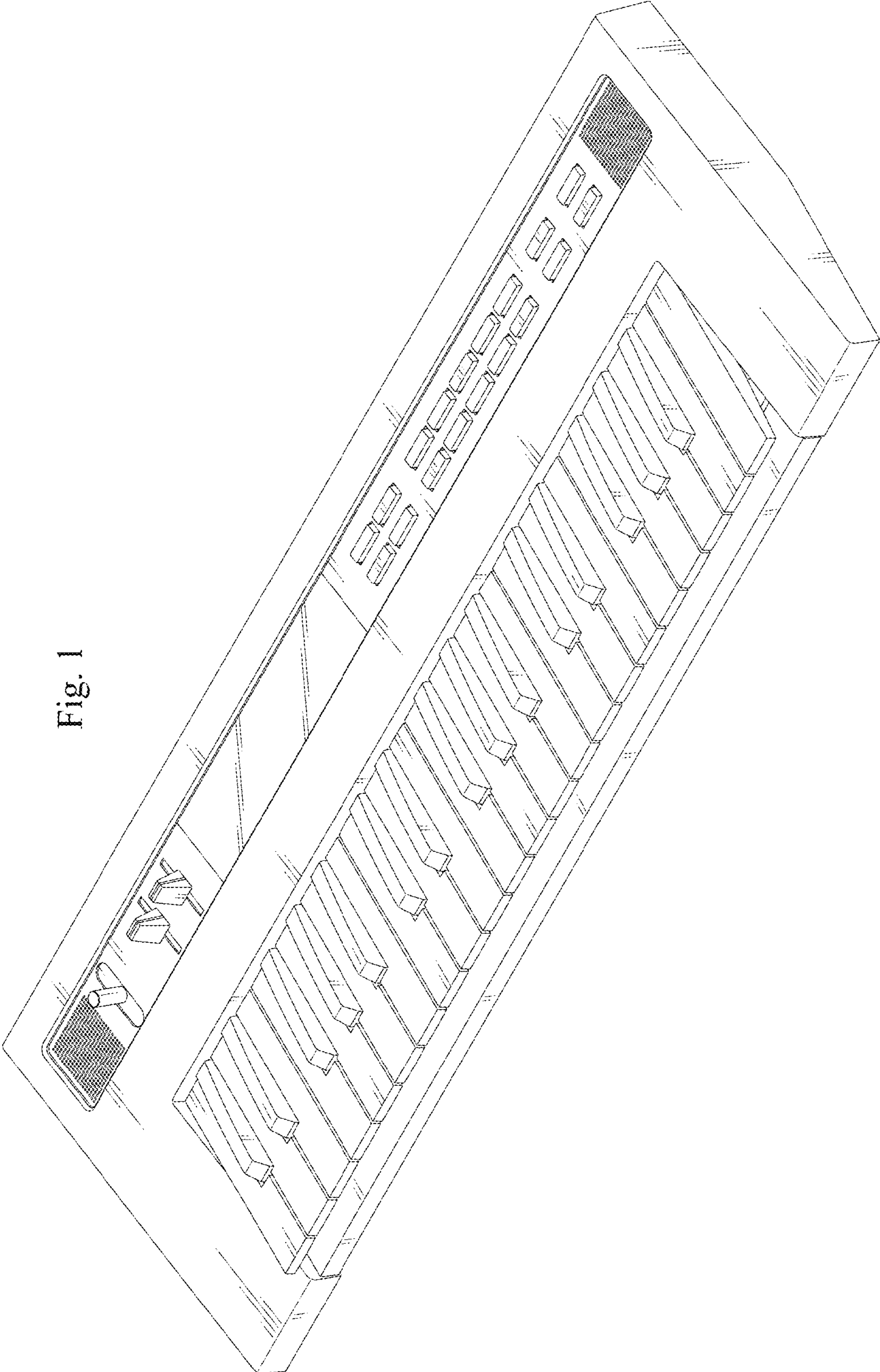


Fig. 1

Fig. 2

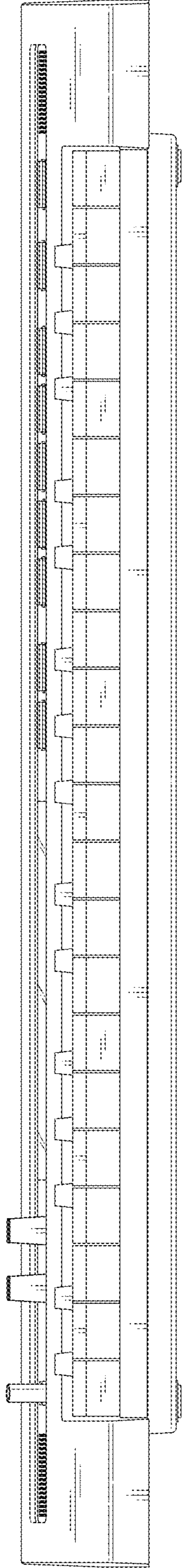


Fig. 3

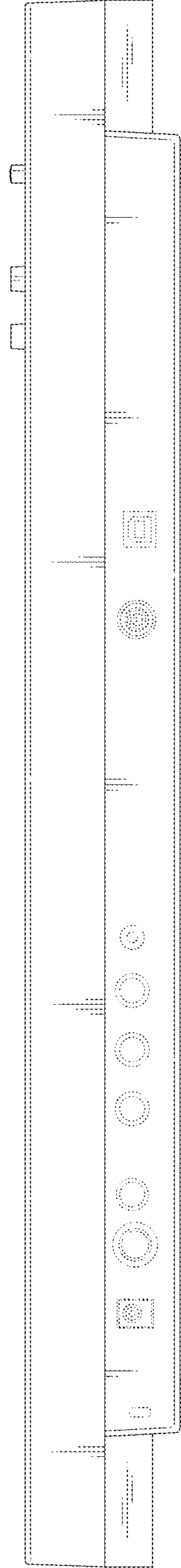




Fig. 4

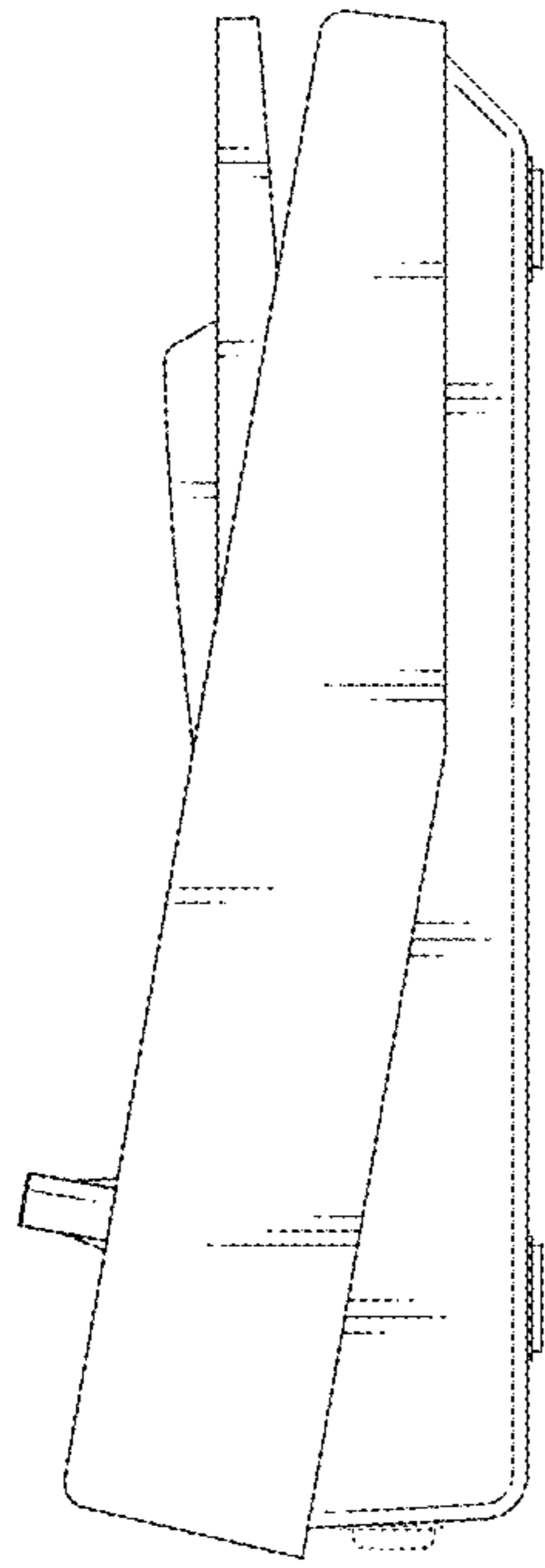


Fig. 5

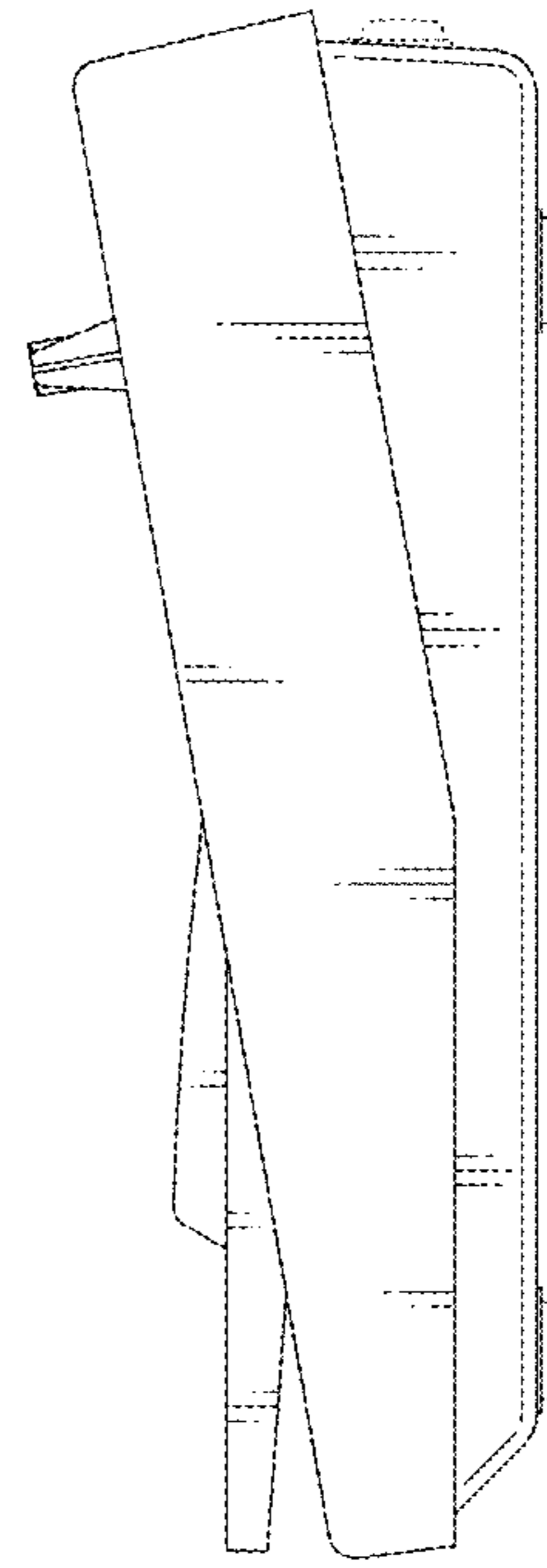


Fig. 6

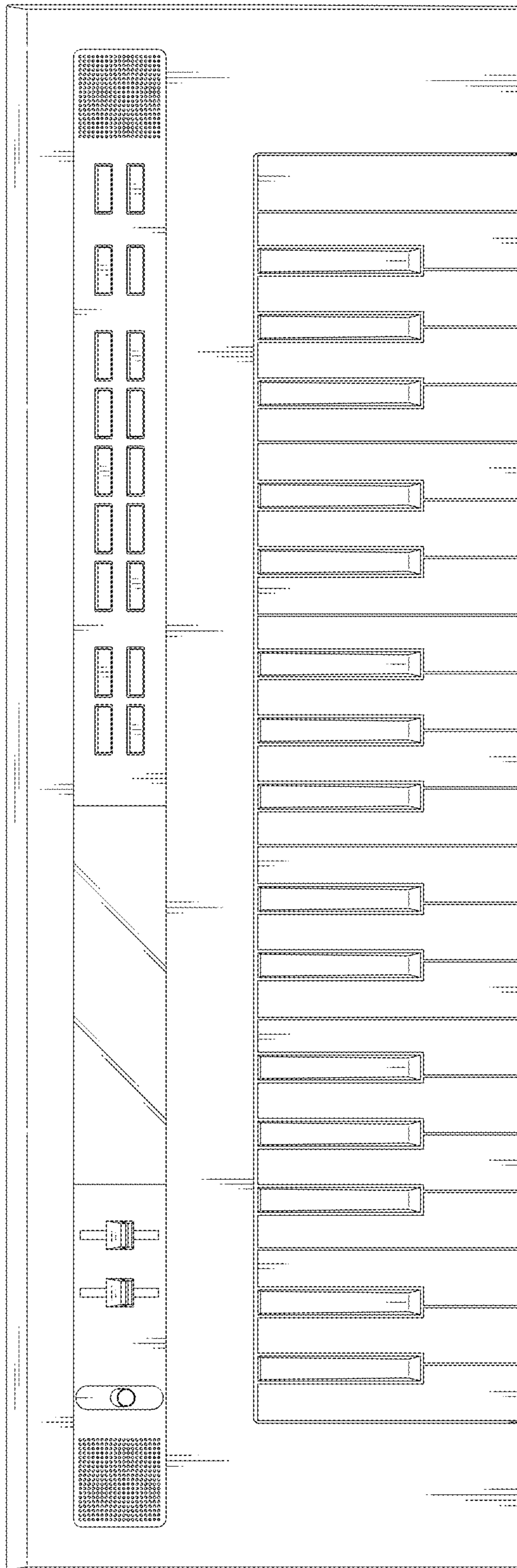


Fig. 7

