



US00D778338S

(12) **United States Design Patent** (10) **Patent No.:** **US D778,338 S**
Muhlenkamp, IV et al. (45) **Date of Patent:** **** Feb. 7, 2017**

- (54) **CAMERA MOUNT HANDLE**
- (71) Applicant: **GoPro, Inc.**, San Mateo, CA (US)
- (72) Inventors: **John George Muhlenkamp, IV**,
Brisbane, CA (US); **Mark E. Costa**,
Menlo Park, CA (US); **Ryan Harrison**,
El Granada, CA (US); **Theresa Loney**
Casarez, San Carlos, CA (US)
- (73) Assignee: **GoPro, Inc.**, San Mateo, CA (US)
- (**) Term: **15 Years**
- (21) Appl. No.: **29/548,660**
- (22) Filed: **Dec. 15, 2015**
- (51) **LOC (10) Cl.** **16-05**
- (52) **U.S. Cl.**
USPC **D16/243**
- (58) **Field of Classification Search**
USPC D16/219, 237-250; D26/49; D14/251
CPC G03B 17/56; G03B 17/561-17/568;
G02B 7/00-7/002
See application file for complete search history.

9,298,066 B1 * 3/2016 Fan G03B 17/561
 D761,988 S * 7/2016 Asano D16/239
 D766,230 S * 9/2016 Shepard D14/253
 2011/0122605 A1 * 5/2011 Deighton F16M 11/28
 362/183
 2015/0107055 A1 * 4/2015 Anari G03B 17/00
 16/422

OTHER PUBLICATIONS

3-way Adjustable Bracket. [online] Date published Mar. 30, 2015. Retrieved on Oct. 24, 2016 from <URL:https://www.amazon.com/Adjustable-Bracket-Action-Camera-Including/dp/B00VE5OQQY.*

* cited by examiner

Primary Examiner — Vy Koenig
Assistant Examiner — Omeed Agilee
(74) *Attorney, Agent, or Firm* — Fenwick & West LLP

(57) **CLAIM**

The ornamental design for a camera mount handle, as shown and described.

DESCRIPTION

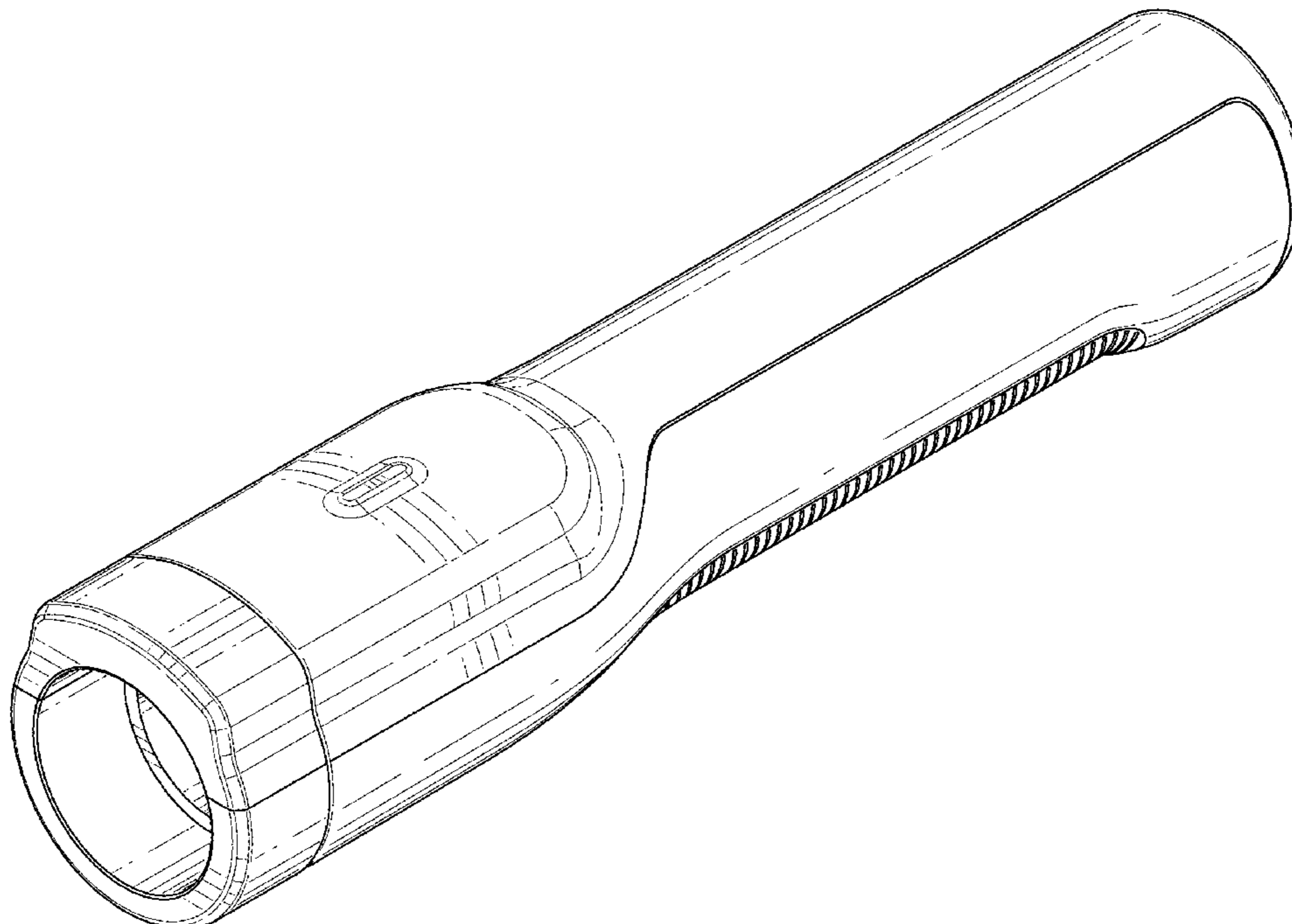
FIG. 1 is a front, right, and top perspective view of a camera mount handle;
 FIG. 2 is a rear, left, and bottom perspective view thereof;
 FIG. 3 is a top, front perspective view thereof;
 FIG. 4 is a bottom, front perspective view thereof;
 FIG. 5 is a front view thereof;
 FIG. 6 is a rear view thereof;
 FIG. 7 is a left view thereof;
 FIG. 8 is a right view thereof;
 FIG. 9 is a top view thereof; and,
 FIG. 10 is a bottom view thereof.

1 Claim, 10 Drawing Sheets

(56) **References Cited**

U.S. PATENT DOCUMENTS

D174,025 S *	2/1955	Dine	D16/239
D423,129 S *	4/2000	Nakagawa	D26/49
D449,395 S *	10/2001	Dalton	D26/49
D608,482 S *	1/2010	Brown	D26/49
D617,024 S *	6/2010	Brown	D26/49
D706,476 S *	6/2014	Lee	D26/49
D746,353 S *	12/2015	Woodman	D16/242
D746,500 S *	12/2015	Brown	D26/49



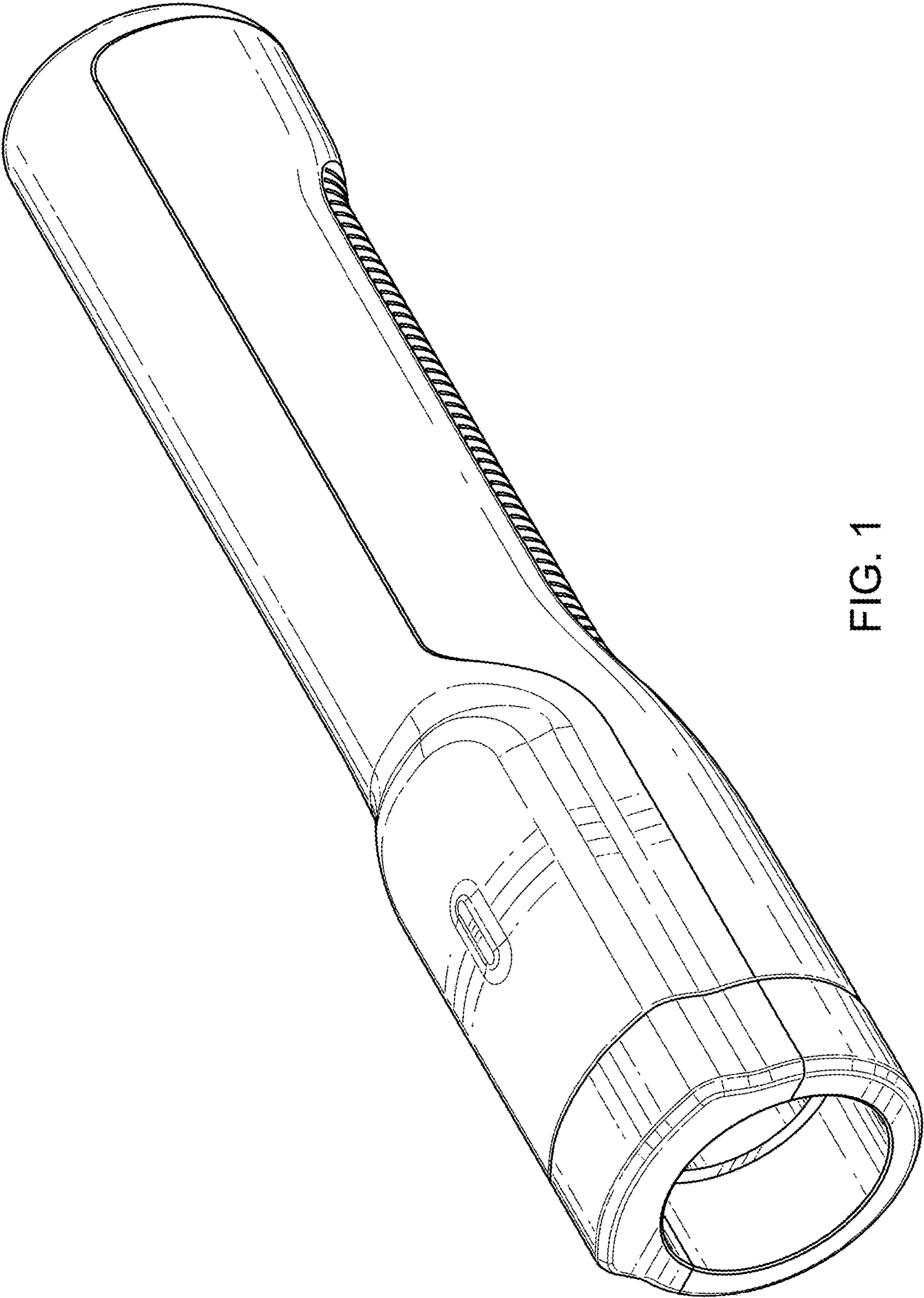


FIG. 1

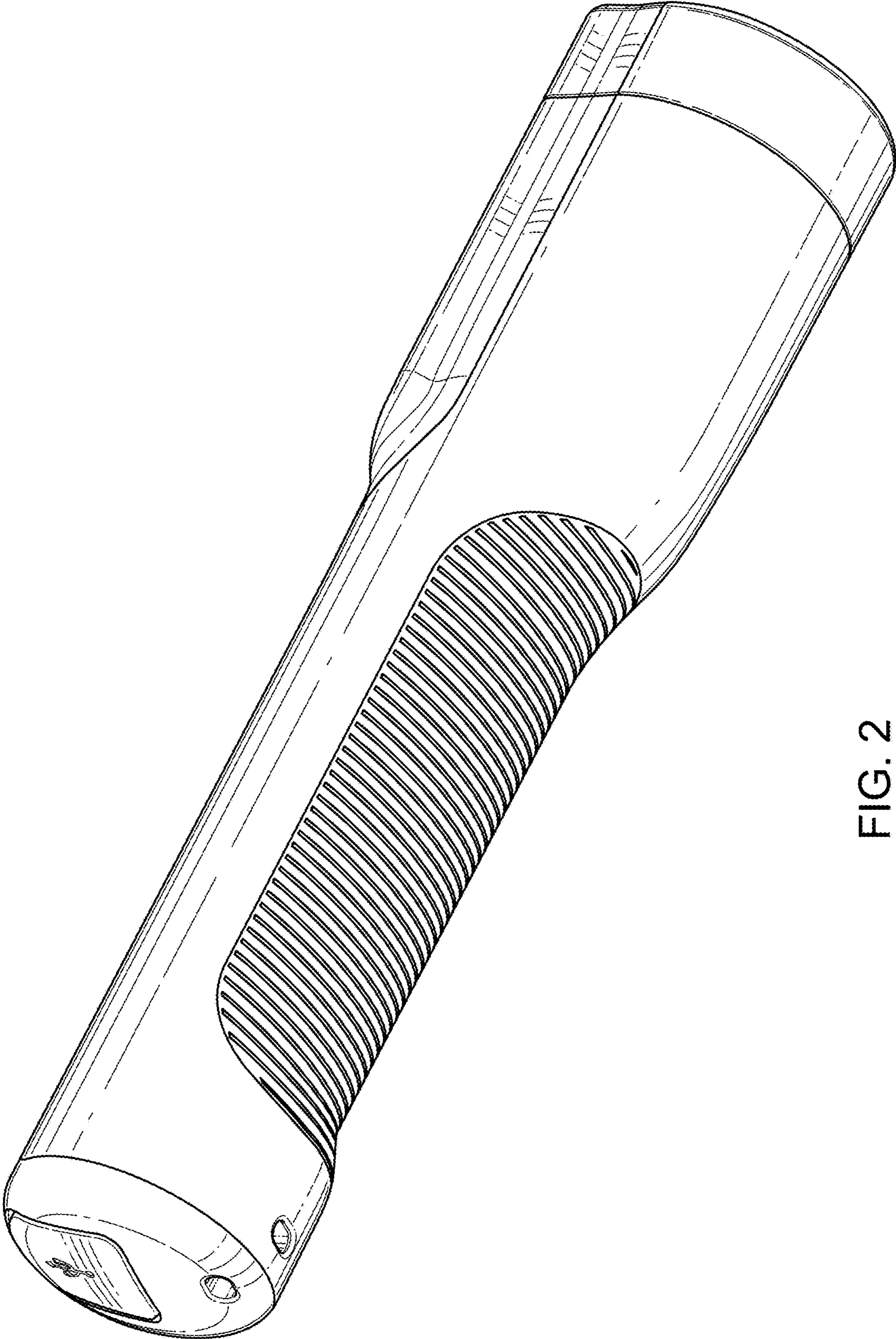


FIG. 2

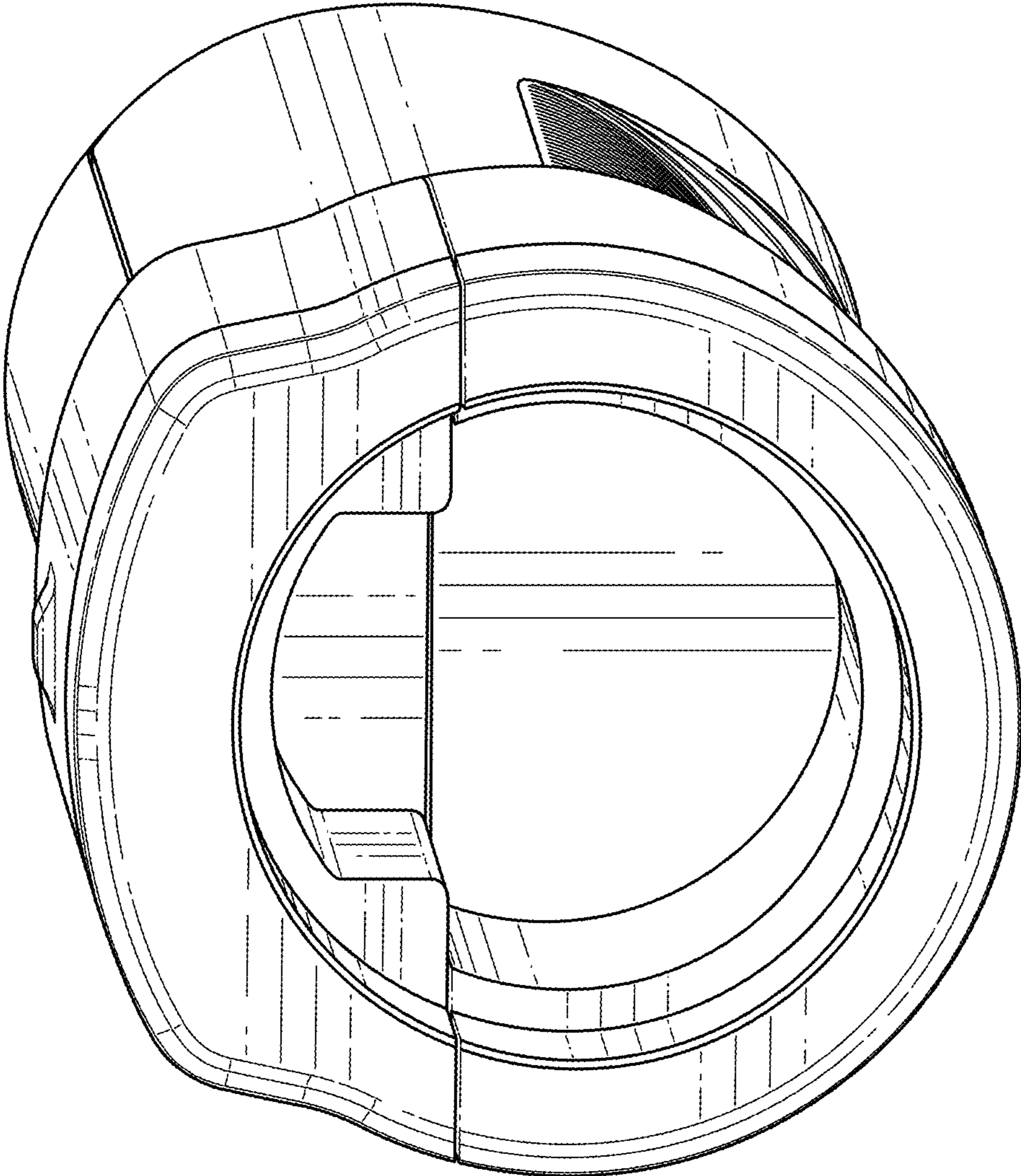


FIG. 3

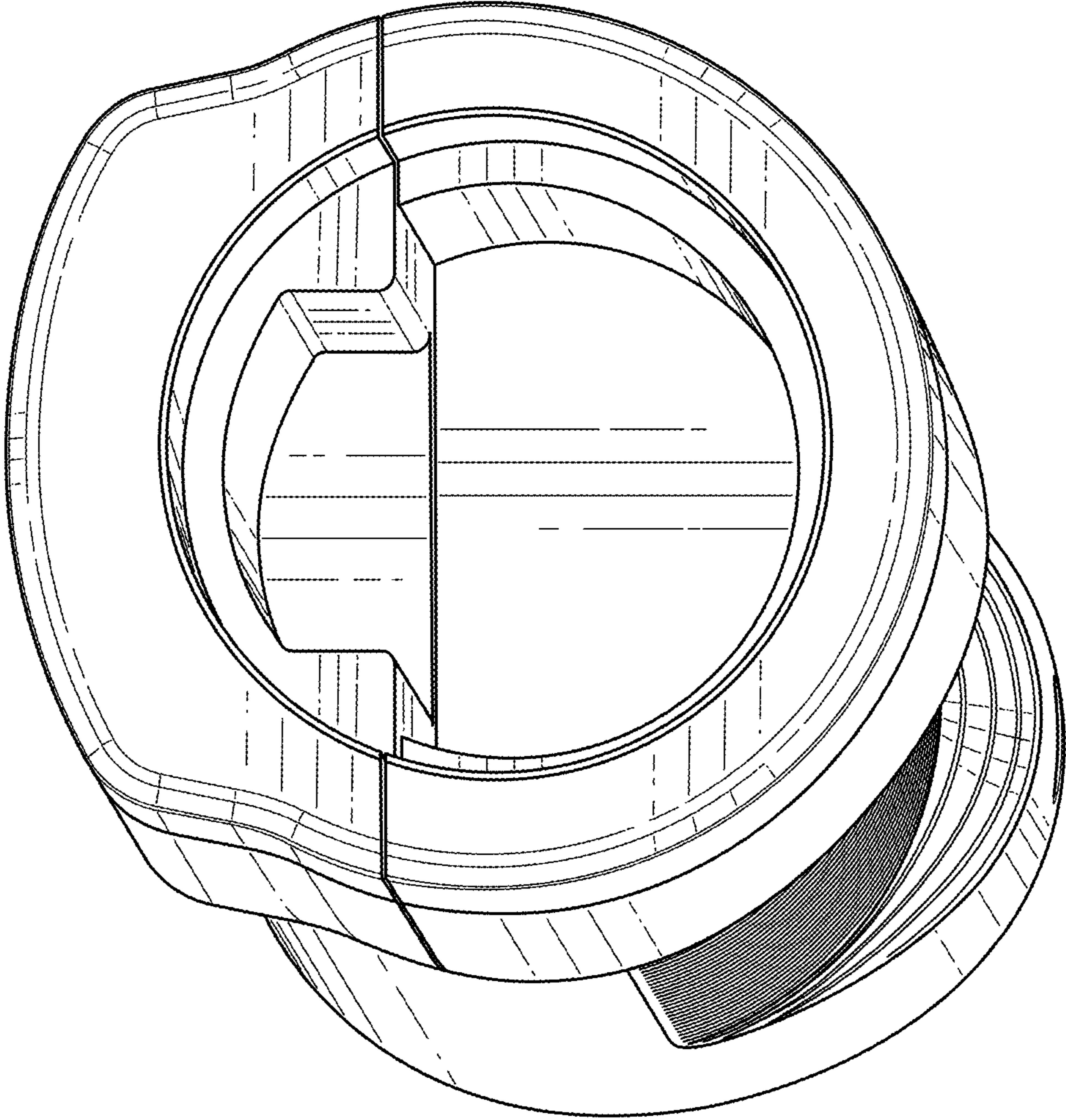


FIG. 4

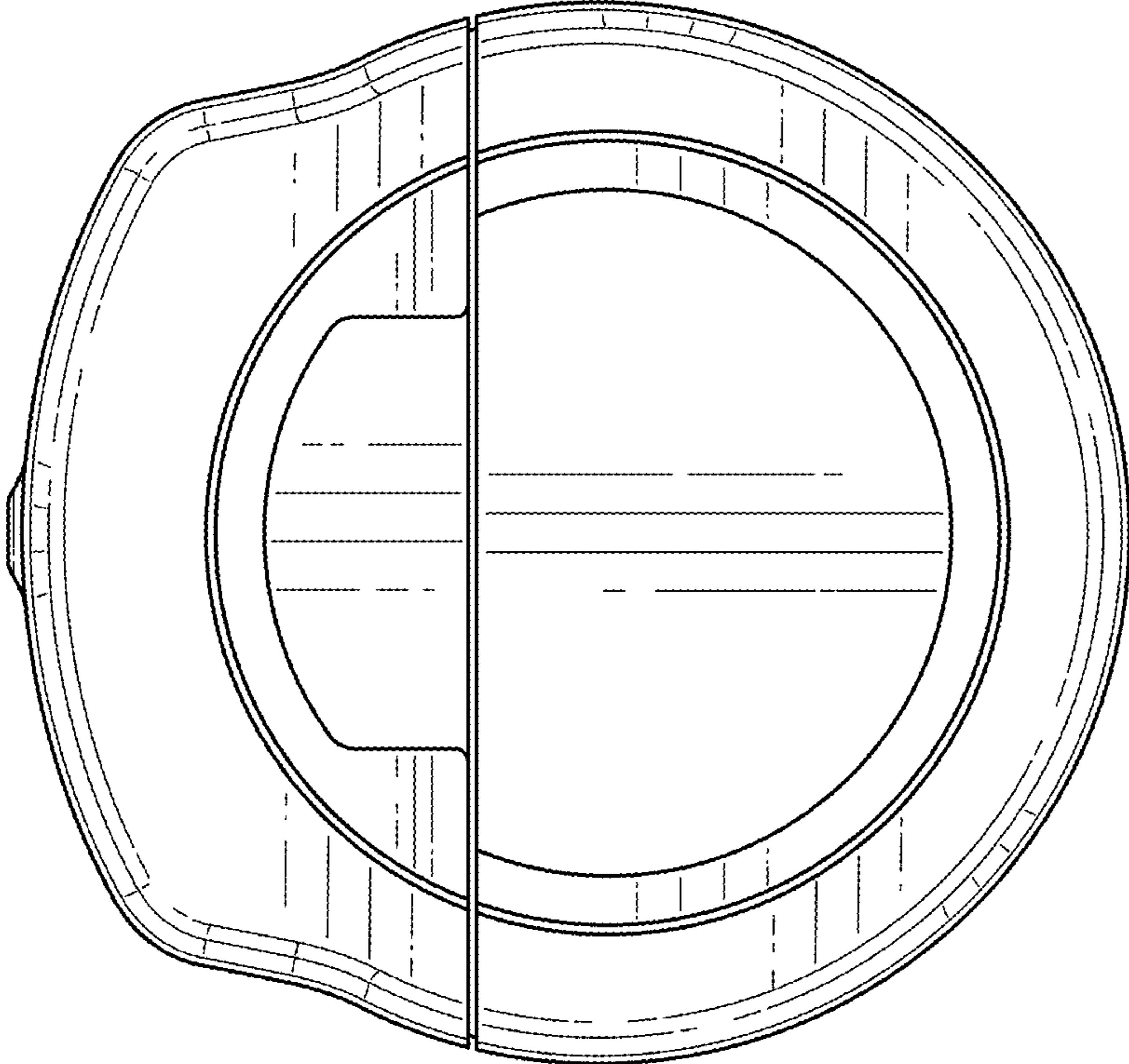


FIG. 5

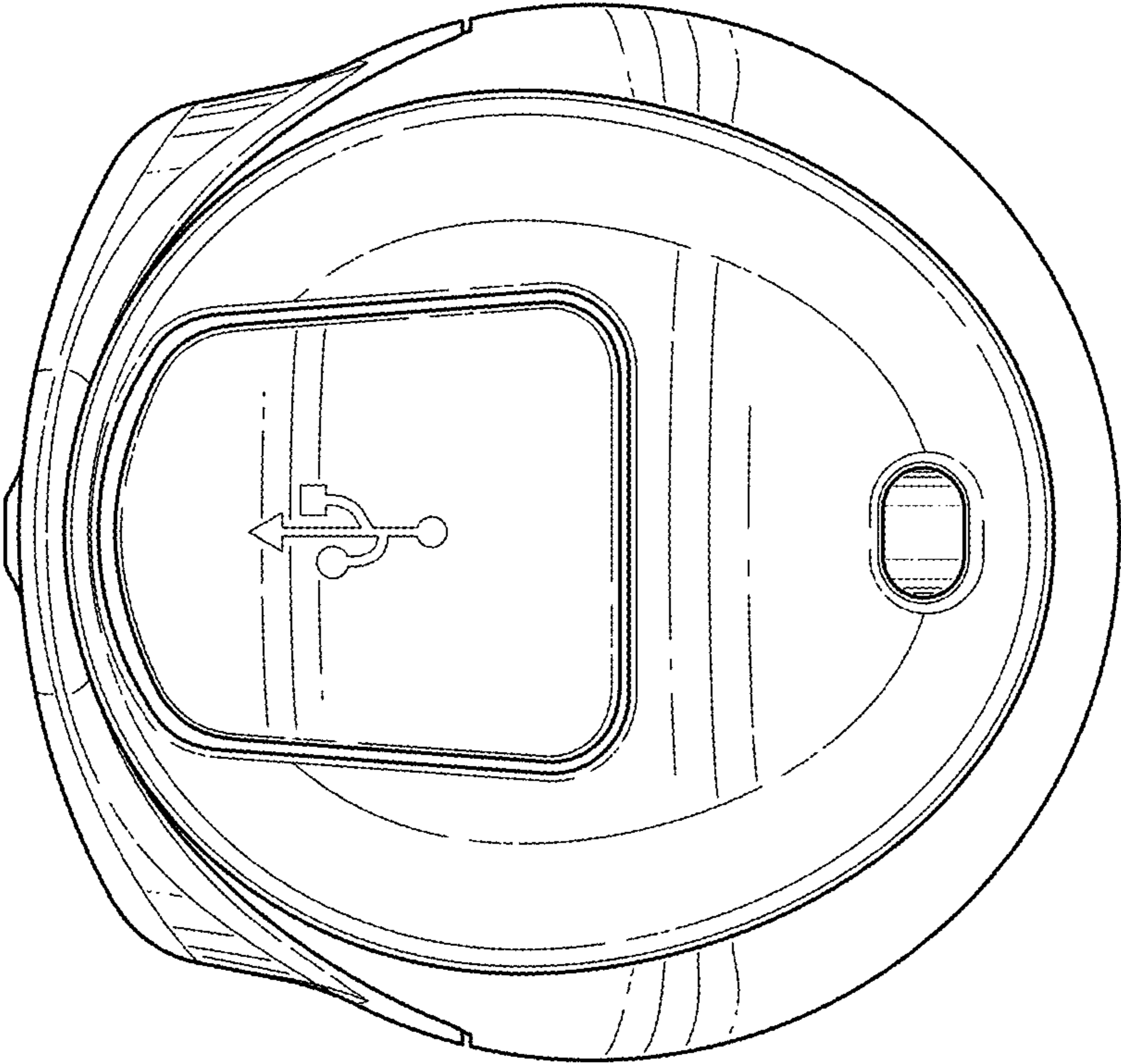


FIG. 6

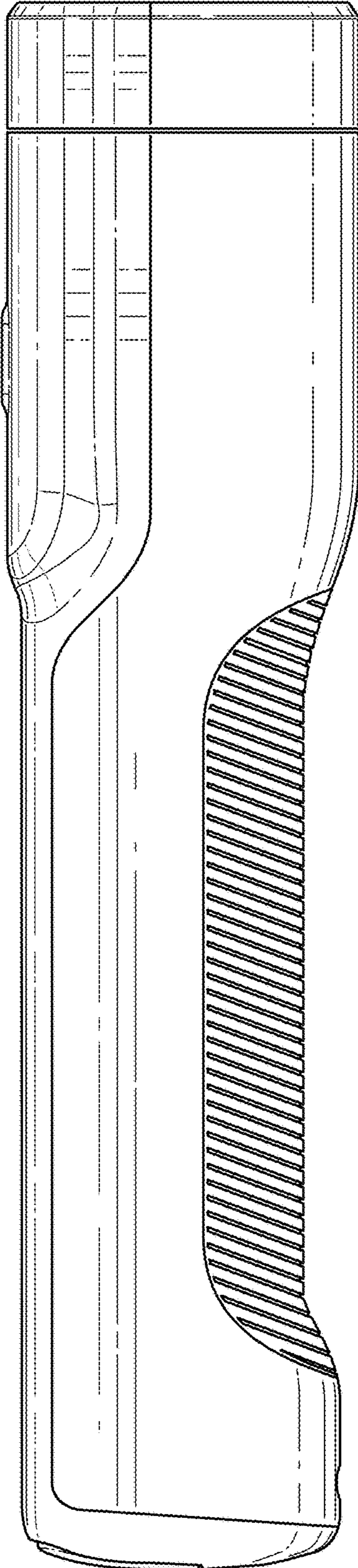


FIG. 7

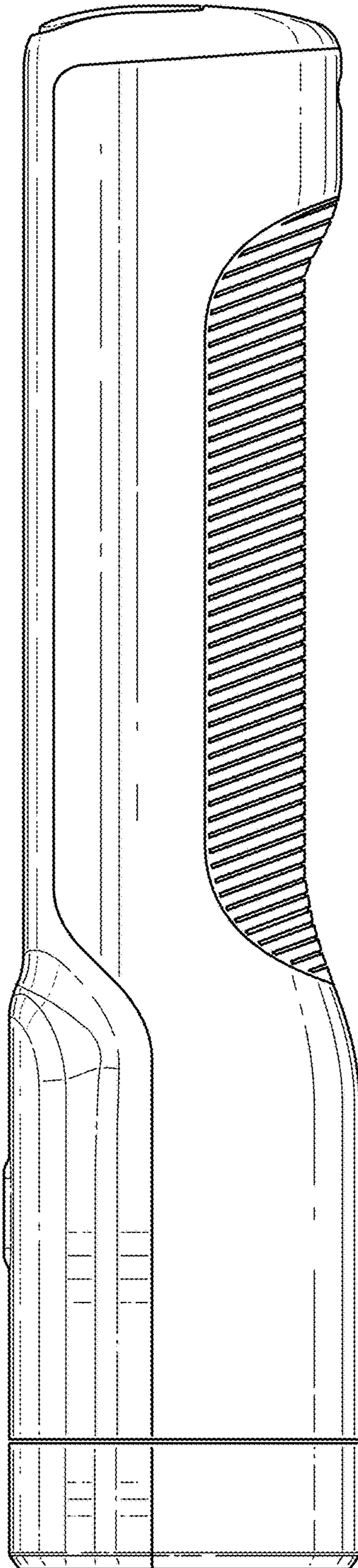


FIG. 8

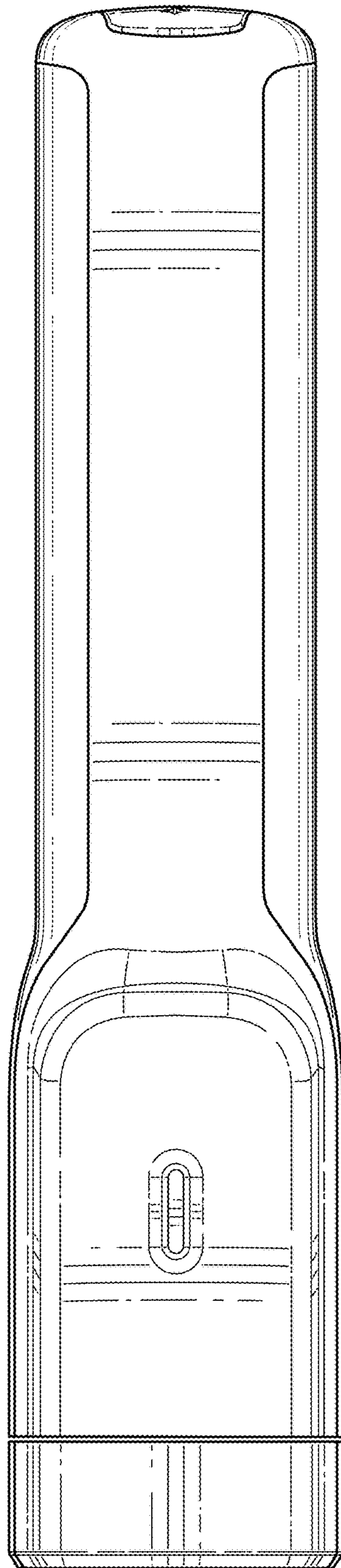


FIG. 9

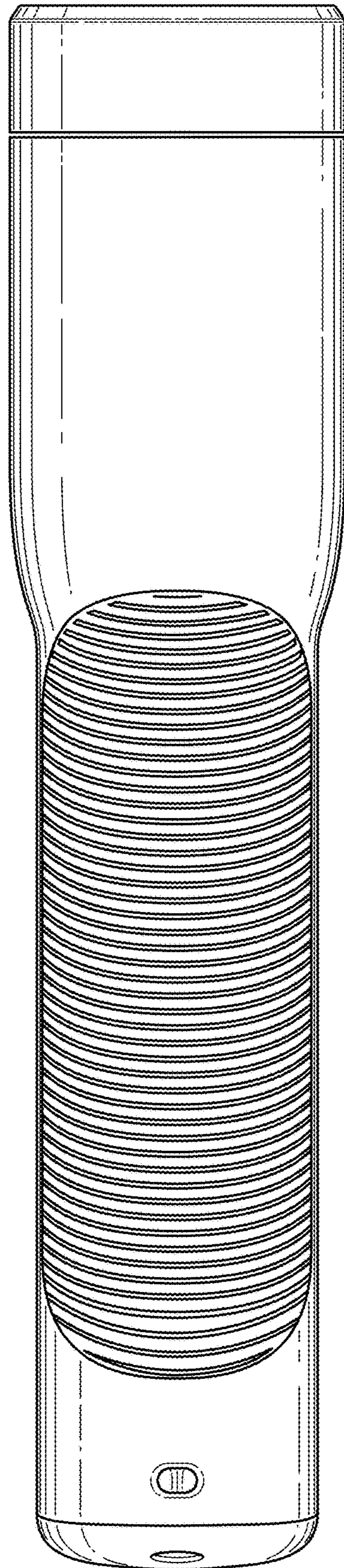


FIG. 10