



US00D778335S

(12) **United States Design Patent**
Gioscia et al.

(10) **Patent No.:** **US D778,335 S**

(45) **Date of Patent:** **** Feb. 7, 2017**

(54) **CAMERA**

(71) Applicant: **GoPro, Inc.**, San Mateo, CA (US)

(72) Inventors: **Richard Gioscia**, Santa Clara, CA (US); **Seunghoon Lee**, Cupertino, CA (US); **Mark Costa**, Menlo Park, CA (US); **Bryan Asuncion**, San Jose, CA (US)

(73) Assignee: **GoPro, Inc.**, San Mateo, CA (US)

(**) Term: **14 Years**

(21) Appl. No.: **29/525,957**

(22) Filed: **May 5, 2015**

(51) **LOC (10) Cl.** **16-01**

(52) **U.S. Cl.**
USPC **D16/200**

(58) **Field of Classification Search**
USPC D3/267; D16/200, 202–204, 208, 211, D16/218, 219, 242; 248/176.1, 187.1; 348/81, 373–376; 396/25, 27, 29, 419, 396/535, 539–541; 206/316.2
CPC G03B 15/03; G03B 17/02; G03B 17/04; G03B 17/08; G03B 17/56; G03B 19/04; H04N 5/2251; H04N 5/2252; H04N 5/2253; H04N 5/2254; A45C 11/38

See application file for complete search history.

(56) **References Cited**

U.S. PATENT DOCUMENTS

D265,829 S	*	8/1982	Shimoda	D16/204
D367,283 S		2/1996	Lyon et al.		
D419,296 S		1/2000	Shinano		
D453,177 S		1/2002	Uehara		
D550,742 S		9/2007	Ishii		
D616,479 S		5/2010	Ganahl		
D621,432 S		8/2010	Yim		
8,014,656 B2		9/2011	Woodman		
D646,313 S		10/2011	Woodman		
D647,554 S		10/2011	Yim		

D657,808 S	4/2012	Woodman
D674,428 S	1/2013	Woodman
D674,429 S	1/2013	Woodman
D684,569 S	6/2013	Willenborg
8,544,643 B2	10/2013	Yim

(Continued)

FOREIGN PATENT DOCUMENTS

EP	002586602-0001	2/2015
EP	002586602-0002	2/2015

OTHER PUBLICATIONS

GoPro, Inc., “Cameras,” 2014, 3 Pages, [online][Archived on webarchive.org on Mar. 30, 2014][Retrieved on Aug. 31, 2015] Retrieved from the internet <URL:https://web.archive.org/web/20140330221442/http://gopro.com/cameras>.

(Continued)

Primary Examiner — Susan E Krakower
Assistant Examiner — Ramzi Almatrahi
(74) *Attorney, Agent, or Firm* — Fenwick & West LLP

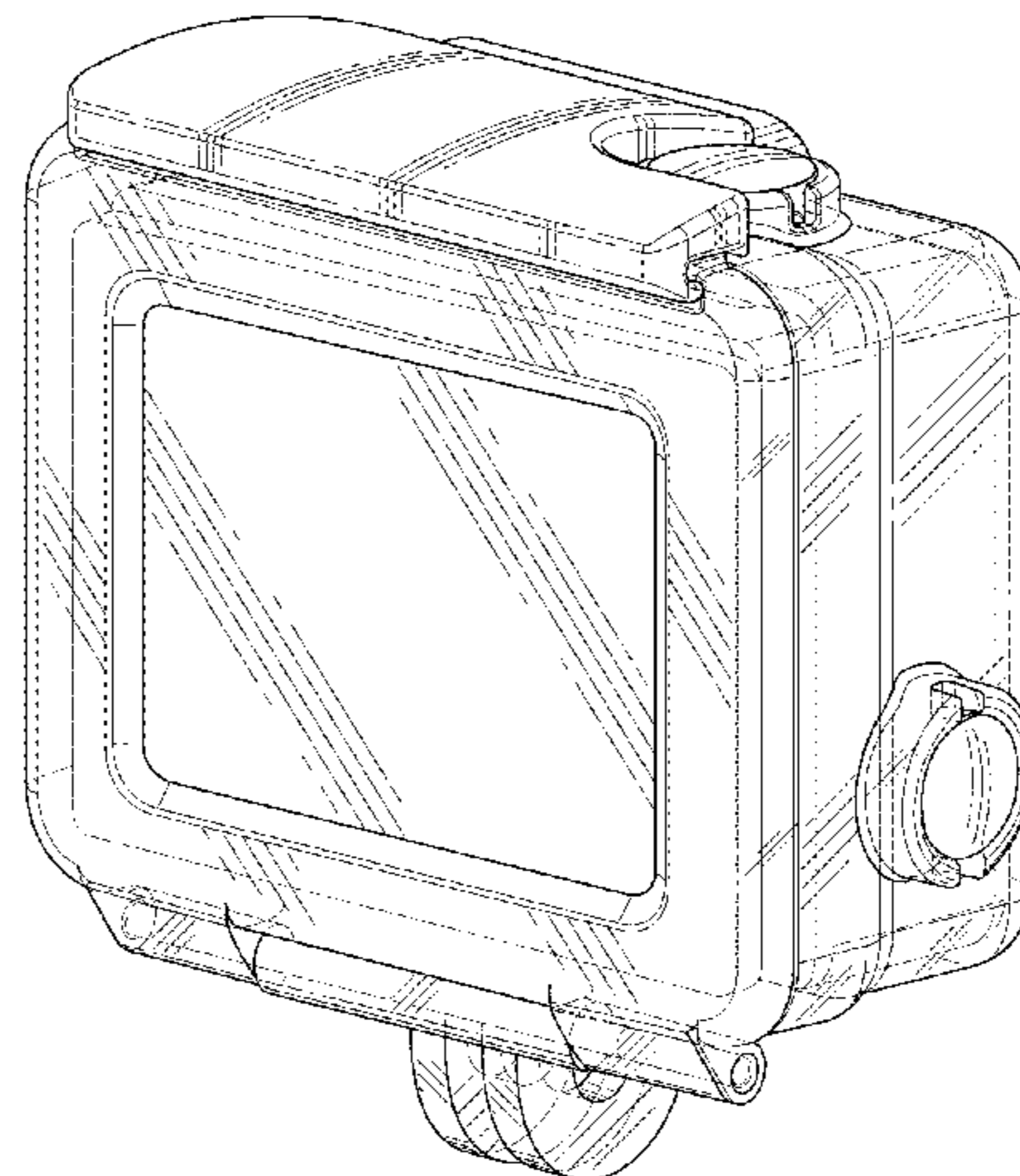
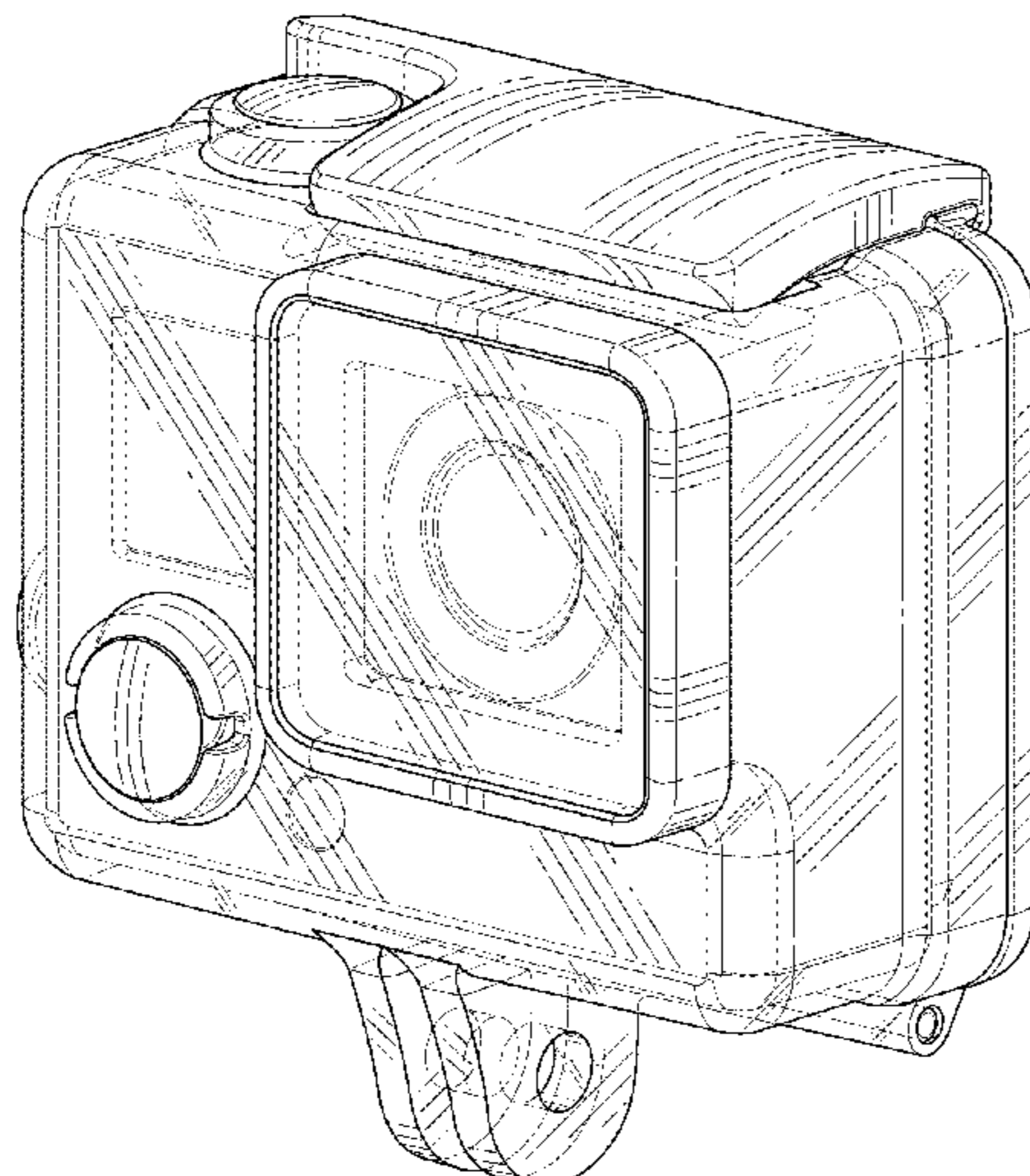
(57) **CLAIM**

The ornamental design for a camera, as shown and described.

DESCRIPTION

FIG. 1 is a front, top, and right side perspective view of a camera;
FIG. 2 is a front, bottom, and left side perspective view thereof;
FIG. 3 is a rear, top, and left side perspective view thereof;
FIG. 4 is a rear, bottom, and right side perspective view thereof;
FIG. 5 is a front elevational view thereof;
FIG. 7 is a left side elevational view thereof;
FIG. 8 is a right side elevational view thereof;
FIG. 9 is a top plan view thereof; and,
FIG. 10 is a bottom plan view thereof.

1 Claim, 10 Drawing Sheets



(56)

References Cited

U.S. PATENT DOCUMENTS

D699,276 S 2/2014 Samuels et al.
 D699,277 S 2/2014 Samuels et al.
 D699,947 S 2/2014 To et al.
 D700,778 S 3/2014 To et al.
 D702,276 S 4/2014 Woodman
 D702,277 S 4/2014 Woodman
 D702,747 S 4/2014 Woodman et al.
 D710,921 S 8/2014 Gioscia et al.
 D710,922 S 8/2014 Gioscia et al.
 8,837,928 B1 9/2014 Clearman et al.
 D721,395 S 1/2015 Woodman et al.
 D724,637 S 3/2015 Samuels et al.
 D724,638 S 3/2015 Samuels et al.
 D725,169 S 3/2015 Gioscia et al.
 D732,593 S 6/2015 Woodman
 D734,799 S 7/2015 Woodman et al.
 D735,790 S 8/2015 Gioscia et al.
 D737,879 S 9/2015 Woodman et al.

D739,451 S 9/2015 Gioscia et al.
 D740,868 S * 10/2015 Gioscia D16/200
 D740,876 S * 10/2015 Woodman D16/200
 D741,394 S * 10/2015 Gioscia D16/200
 D750,146 S * 2/2016 Costa D16/200
 D750,680 S * 3/2016 Chen D16/200
 2007/0071423 A1 * 3/2007 Fantone G03B 17/08
 396/27
 2009/0032420 A1 * 2/2009 Zenzai G03B 17/08
 206/316.2
 2009/0110380 A1 * 4/2009 Fantone G03B 17/08
 396/27
 2011/0147245 A1 * 6/2011 Yim G03B 17/08
 206/316.2

OTHER PUBLICATIONS

Design U.S. Appl. No. 29/492,291, filed May 30, 2014, 23 pages.

* cited by examiner

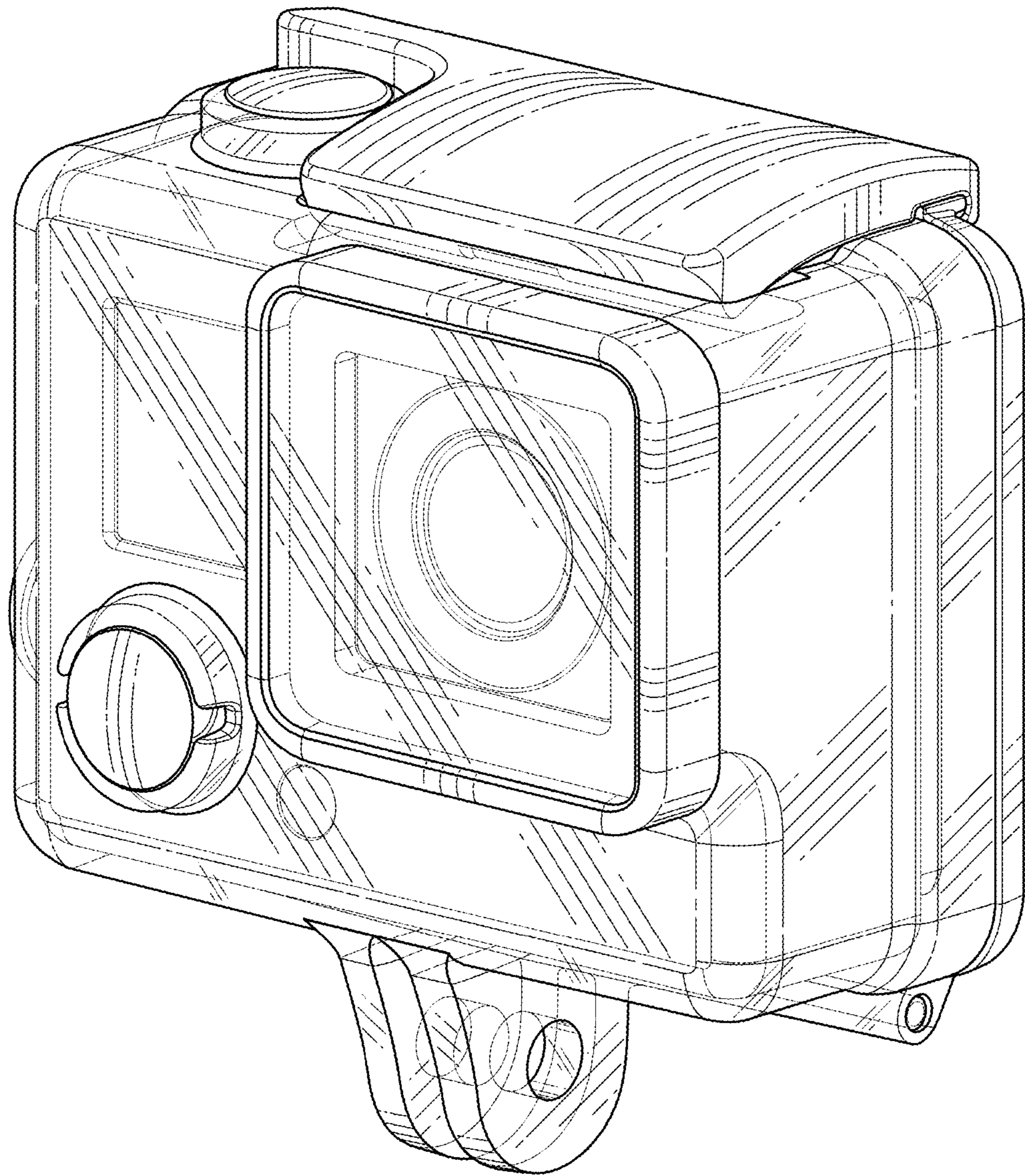


FIG. 1

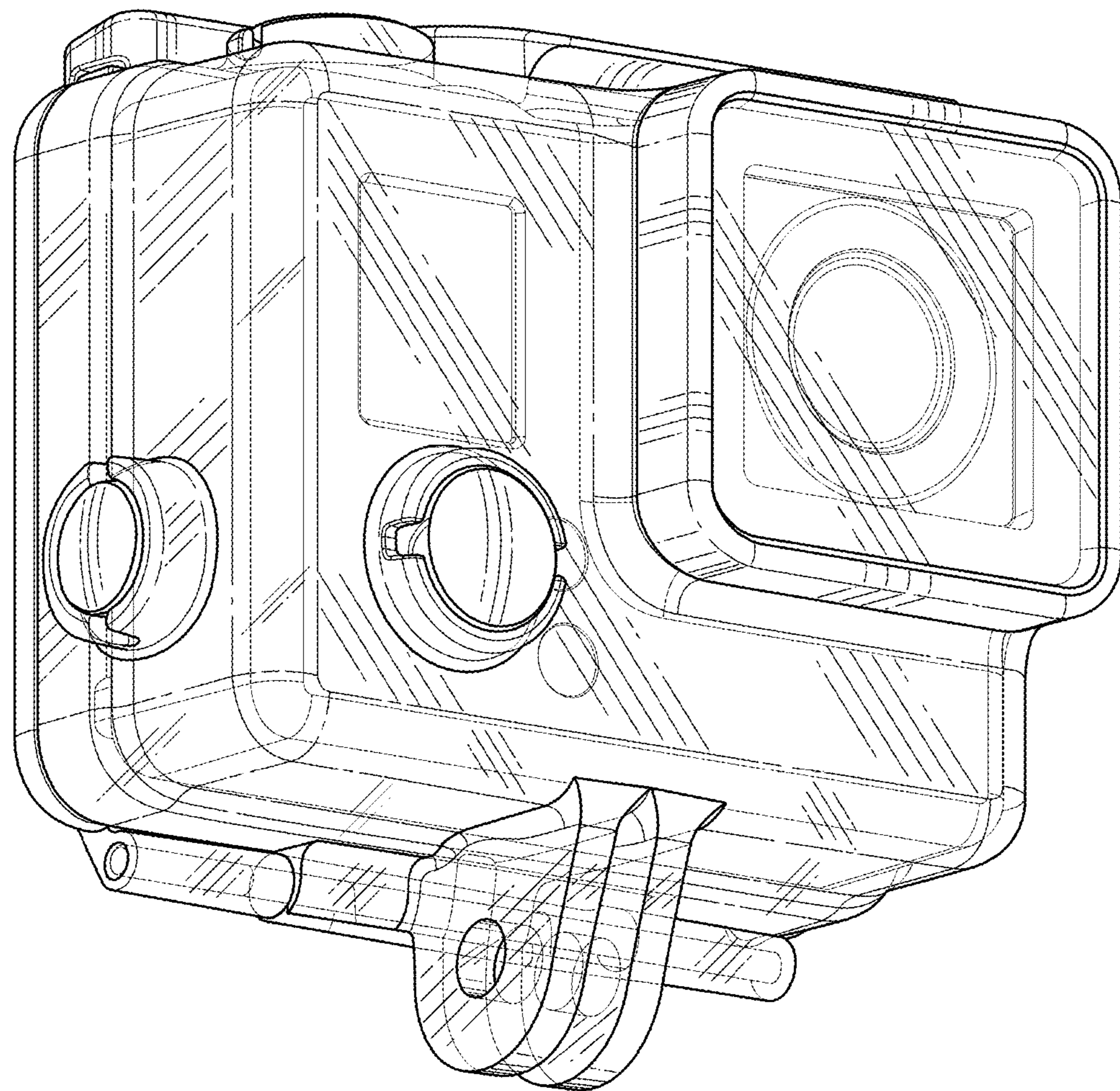


FIG. 2

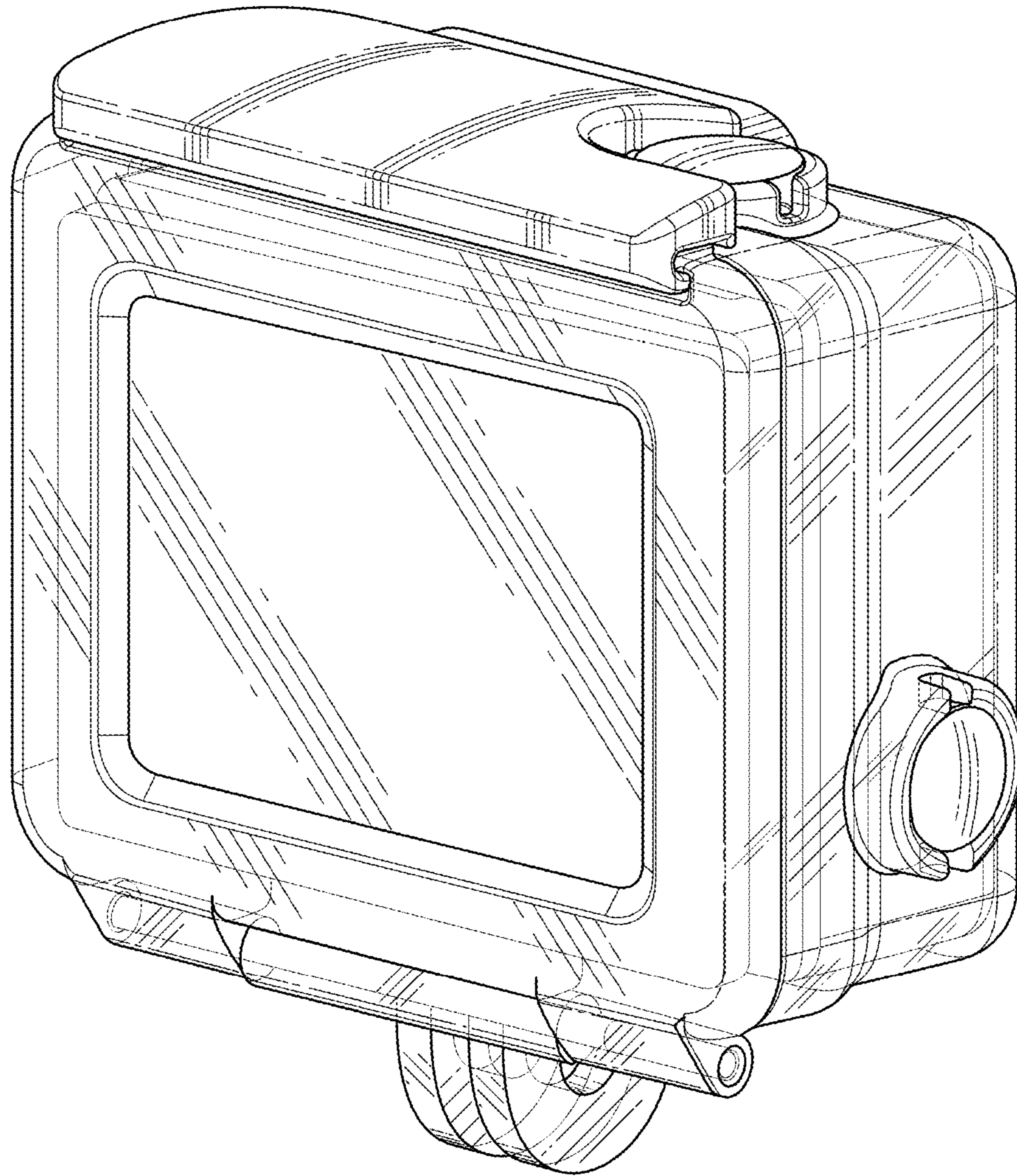


FIG. 3

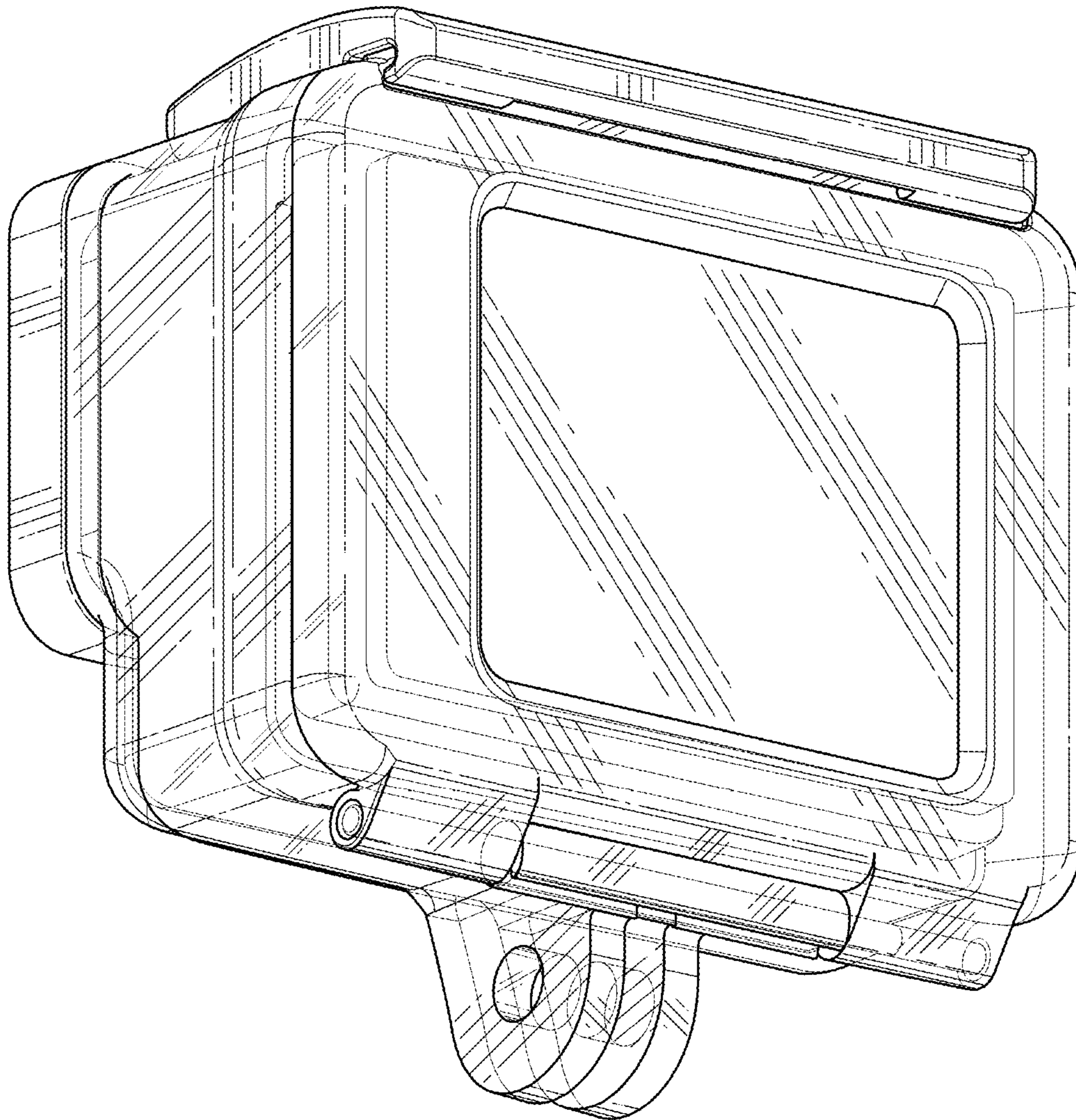


FIG. 4

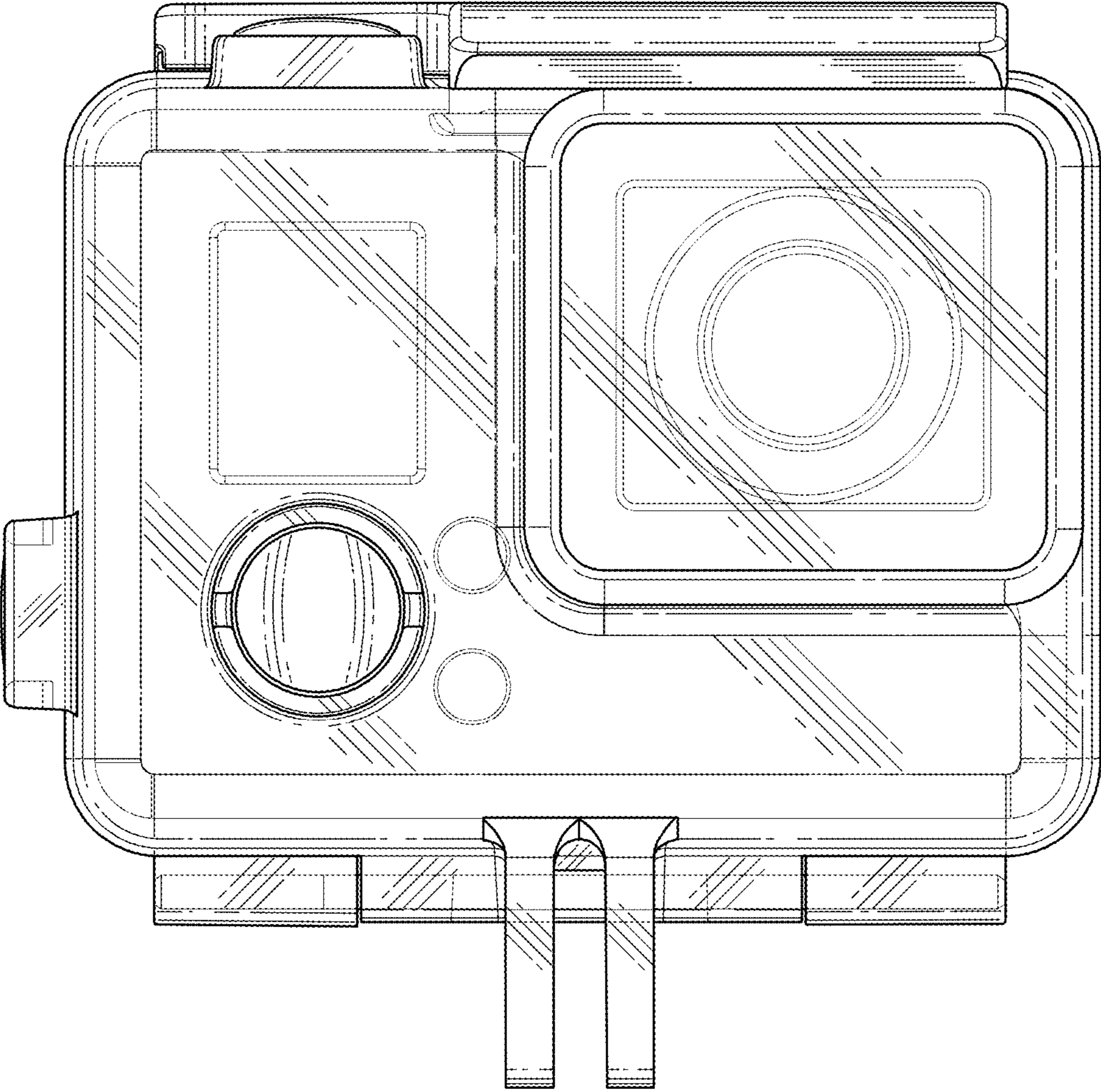


FIG. 5

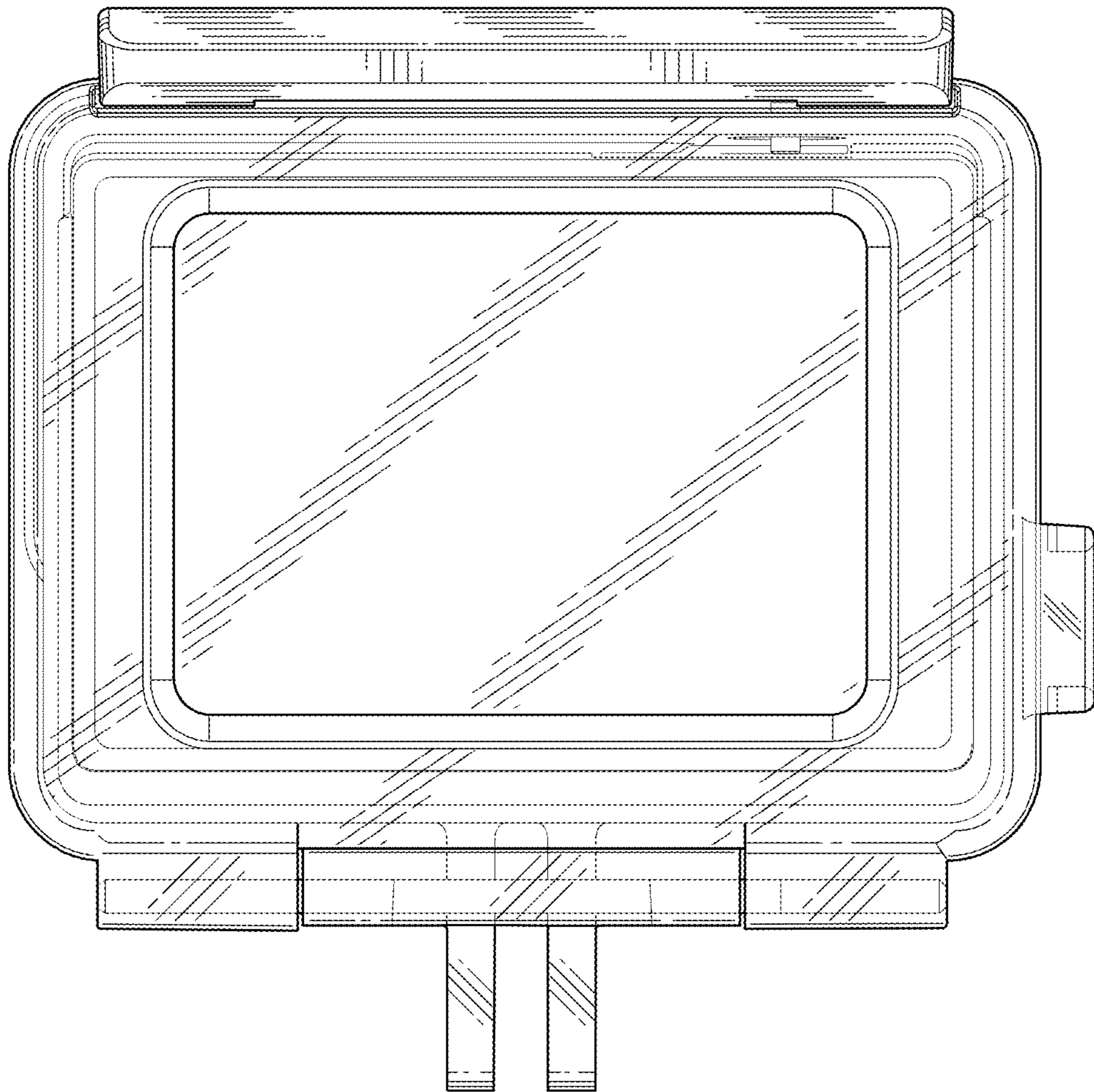


FIG. 6

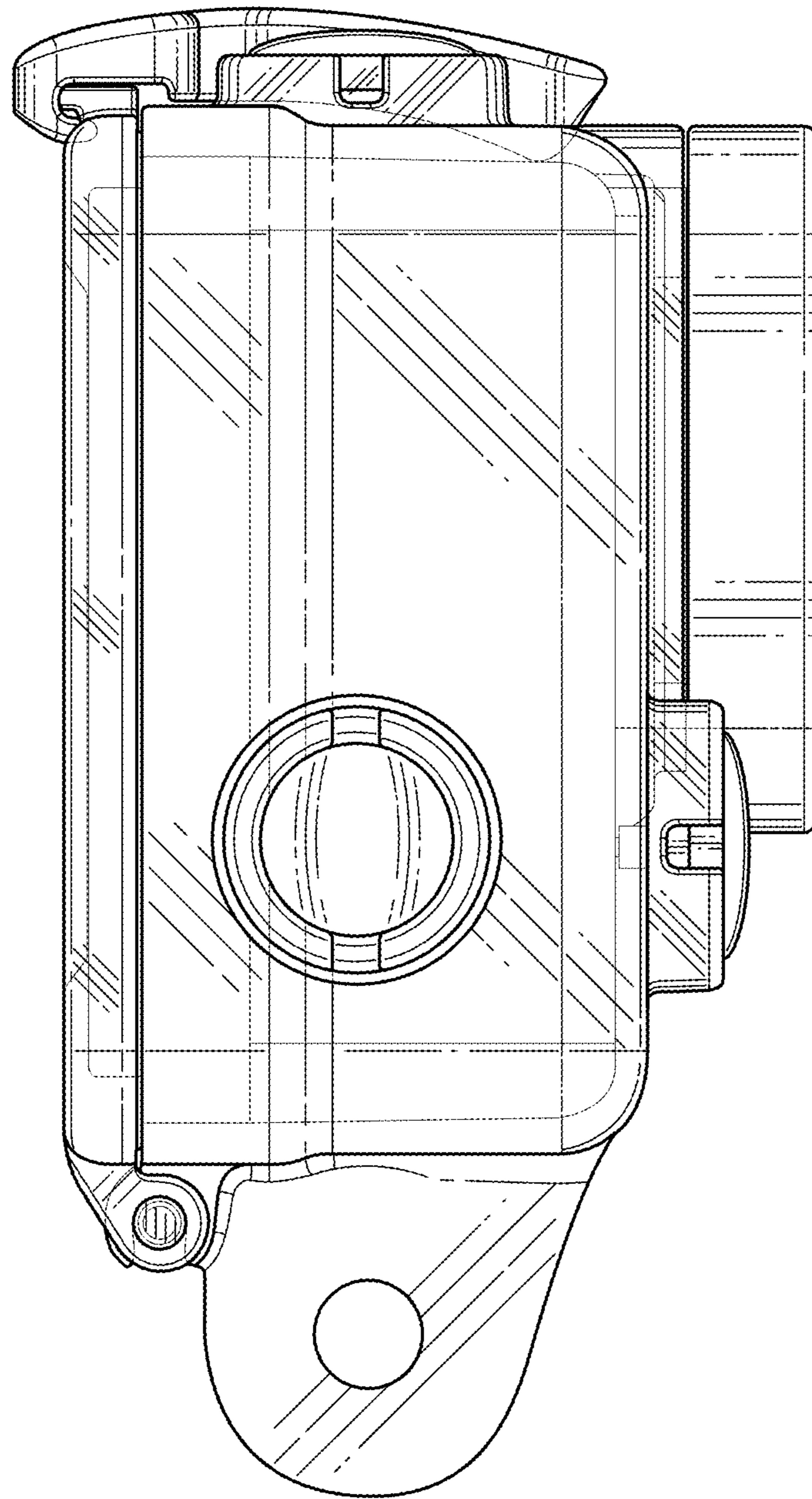


FIG. 7

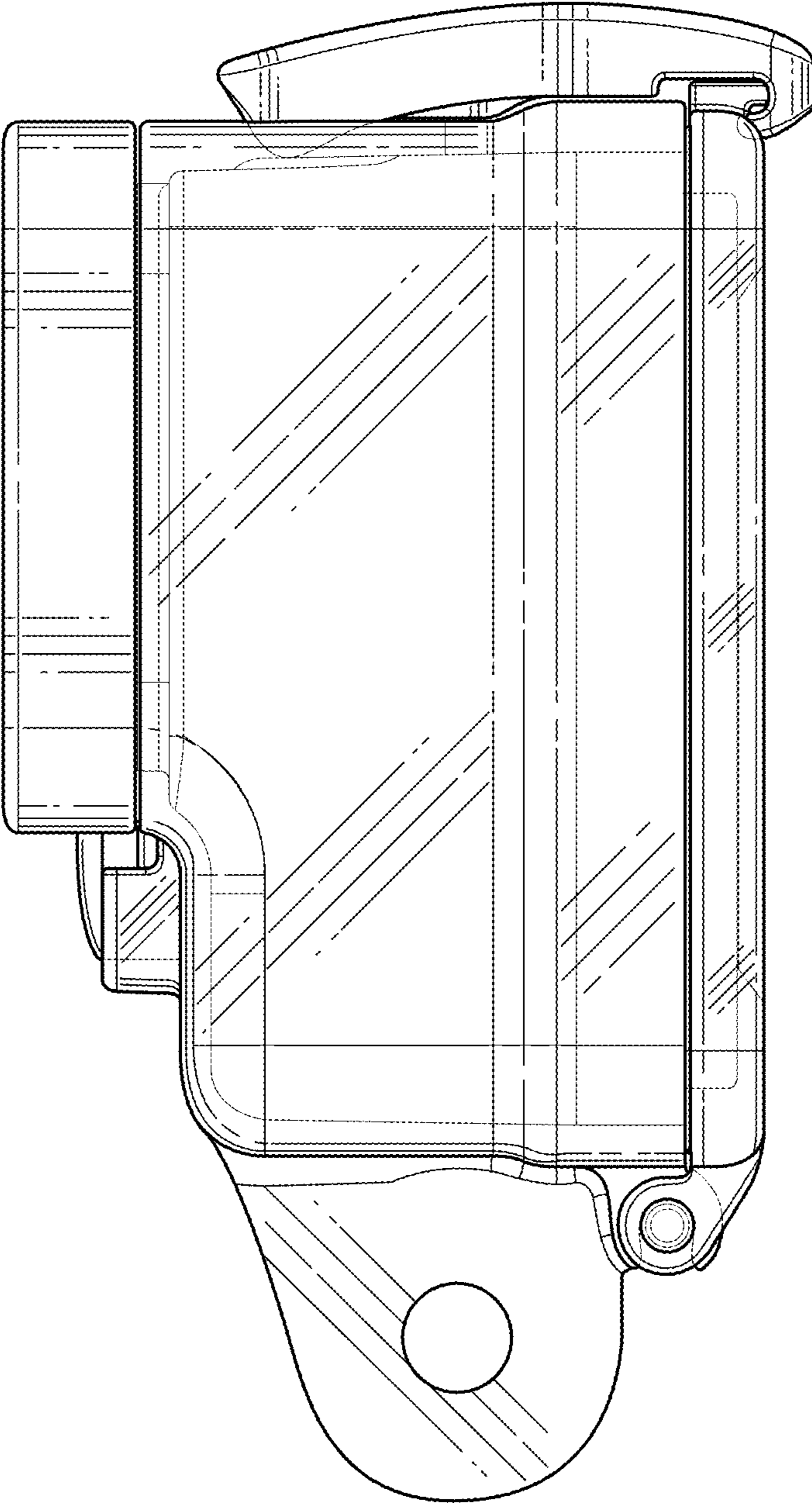


FIG. 8

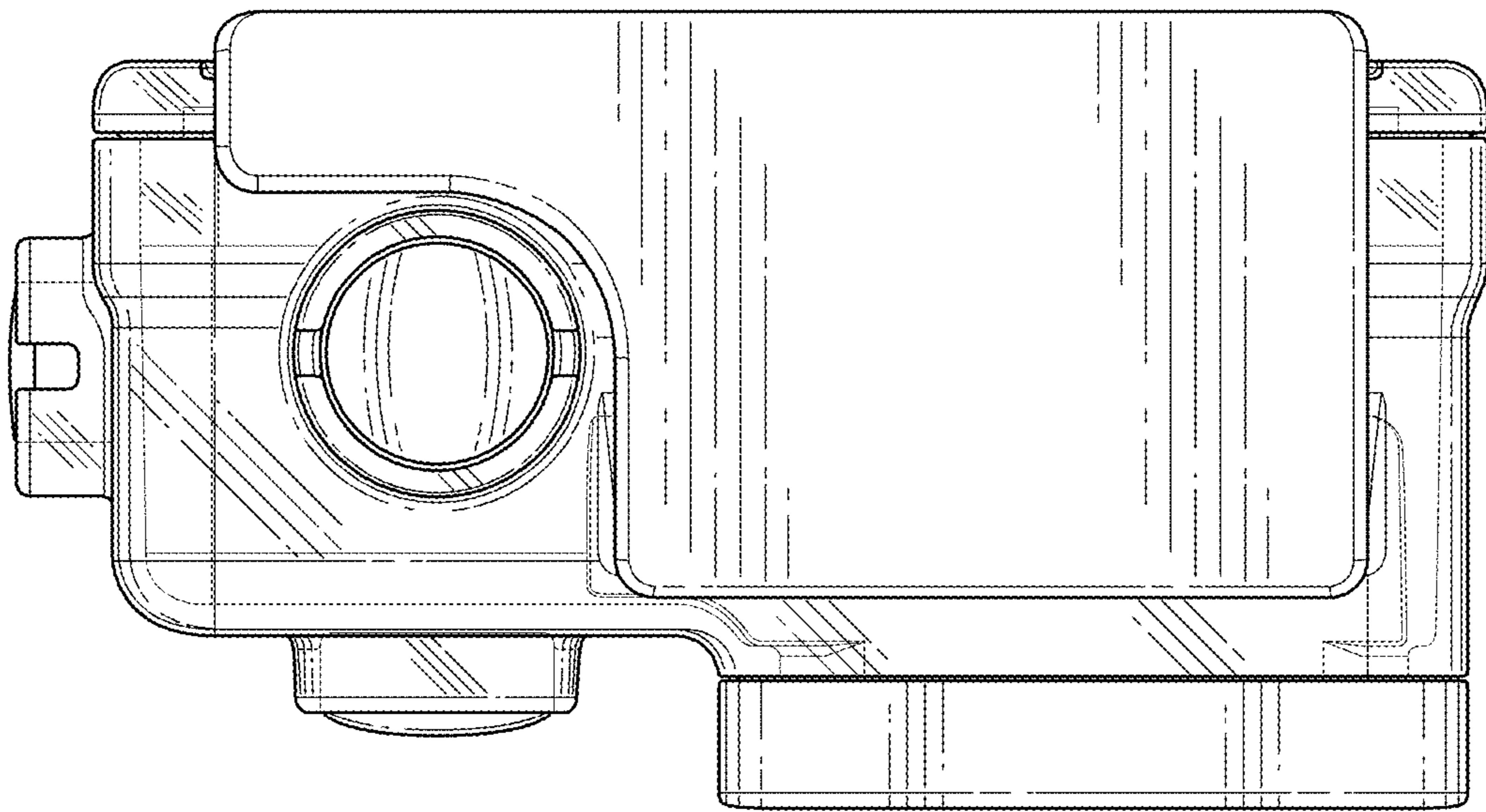


FIG. 9

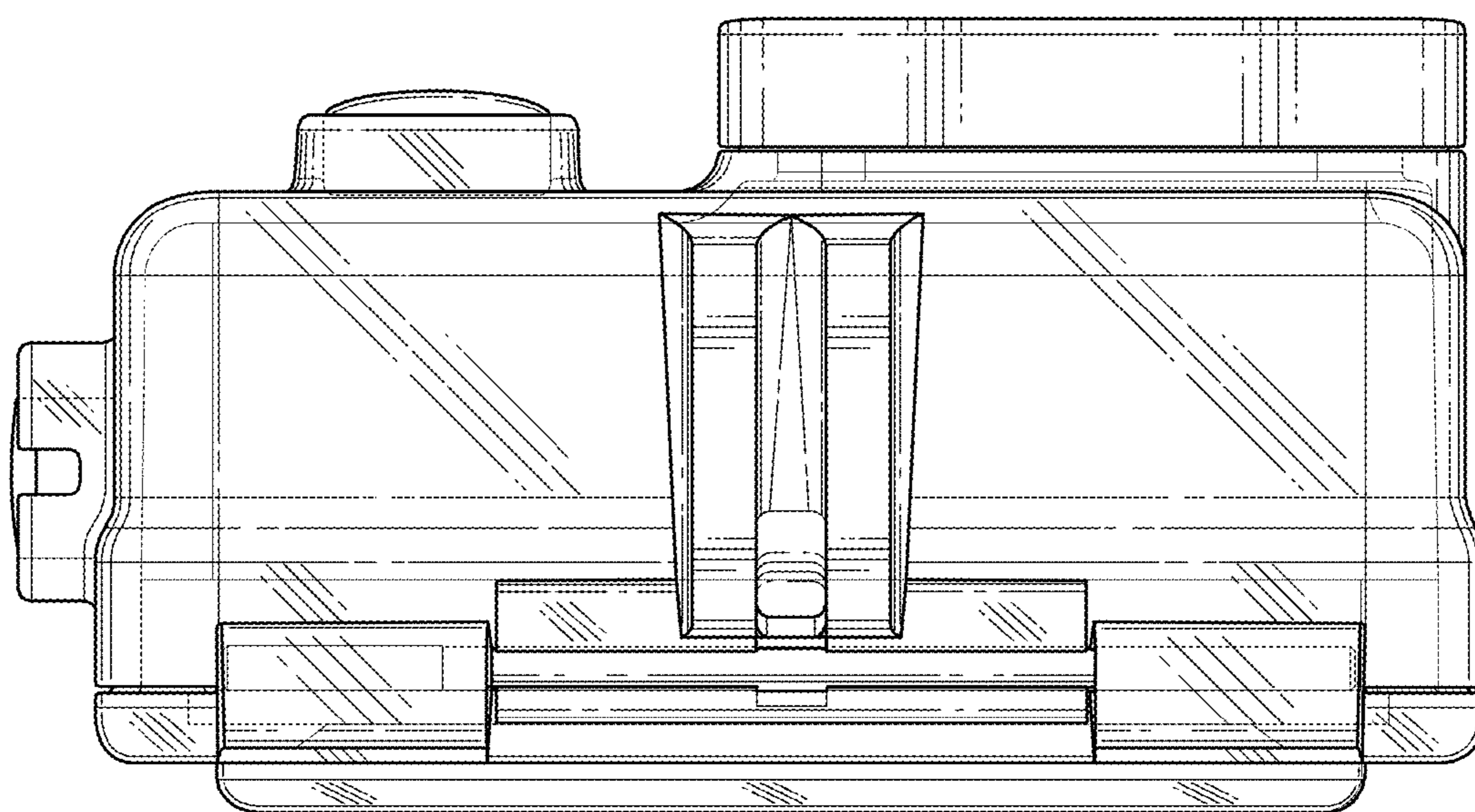


FIG. 10