



US00D778334S

(12) **United States Design Patent** (10) **Patent No.:** **US D778,334 S**
Takatori et al. (45) **Date of Patent:** **** Feb. 7, 2017**

(54) **LENS FOR LIGHT EMITTING DIODE**

8,939,618 B2 * 1/2015 Kawahara F21V 5/04
362/311.09

(71) Applicant: **ENPLAS CORPORATION**,
Kawaguchi-shi, Saitama (JP)

D727,558 S * 4/2015 Tang D26/120
2014/0119027 A1 5/2014 Takatori
(Continued)

(72) Inventors: **Hiroshi Takatori**, Kawaguchi (JP);
Yasuyuki Fukuda, Kawaguchi (JP);
Ryo Nonaka, Kawaguchi (JP)

FOREIGN PATENT DOCUMENTS

(73) Assignee: **ENPLAS CORPORATION**, Saitama
(JP)

JP D1397487 9/2010
JP D1403071 12/2010
(Continued)

(**) Term: **14 Years**

OTHER PUBLICATIONS

(21) Appl. No.: **29/522,371**

Decision to Grant Registration, Japanese Patent Application No.
2014-021829, issued Jul. 21, 2015.
(Continued)

(22) Filed: **Mar. 30, 2015**

Primary Examiner — Susan Bennett Hattan
Assistant Examiner — Jennifer Wright
(74) *Attorney, Agent, or Firm* — Staas & Halsey LLP

(30) **Foreign Application Priority Data**

Feb. 16, 2015 (JP) 2015-002967

(51) **LOC (10) Cl.** **16-06**

(52) **U.S. Cl.**
USPC **D16/134**

(58) **Field of Classification Search**
USPC 362/249.11, 364, 335, 363; D26/1, 2, 61,
D26/65, 66, 68, 69, 72, 74, 76, 86, 87,
D26/88, 89, 93, 98, 121–125, 128;
D16/130–136, 200, 225, 229
See application file for complete search history.

(57) **CLAIM**

The ornamental design for a lens for light emitting diode, as
shown.

(56) **References Cited**

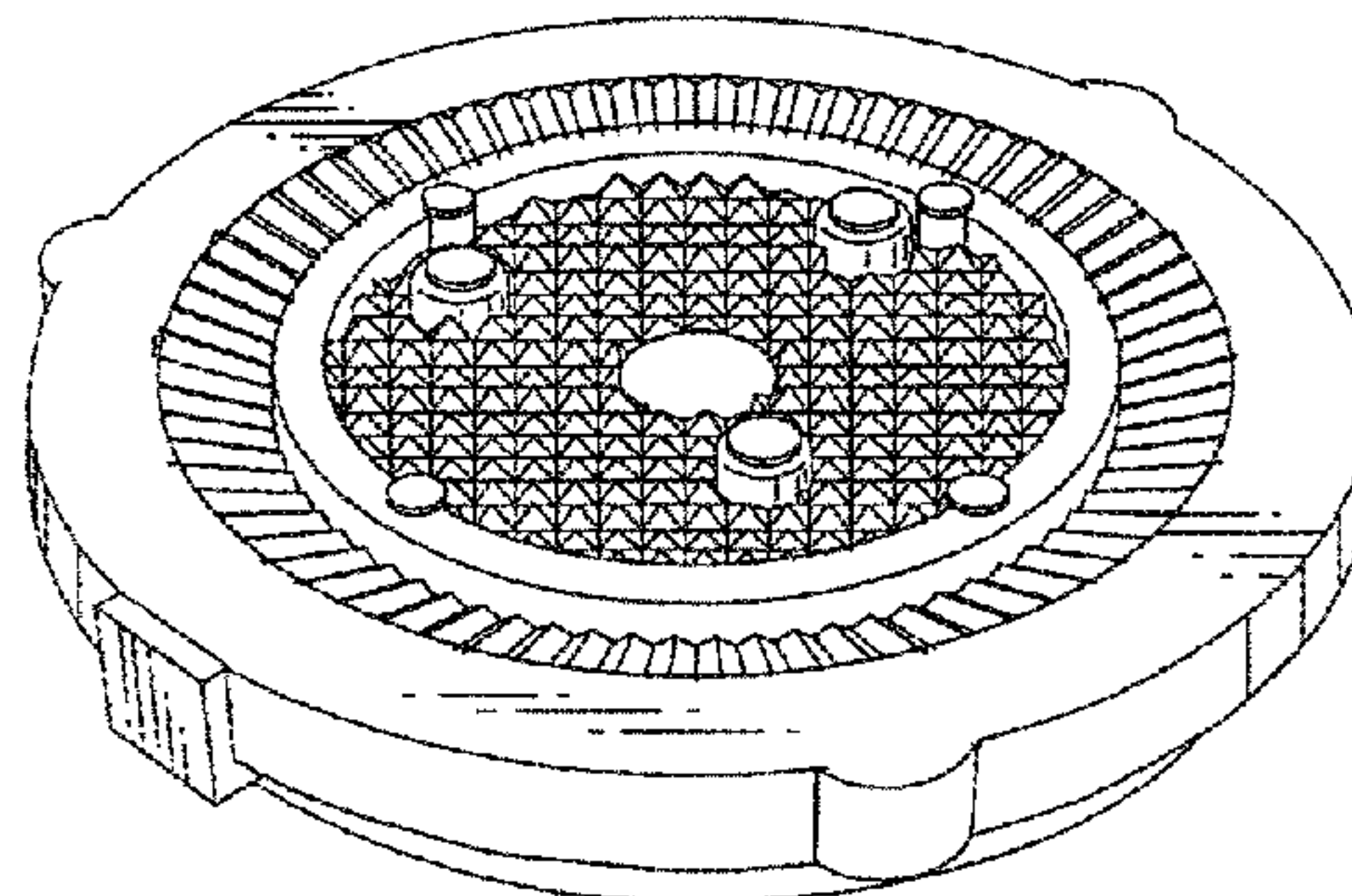
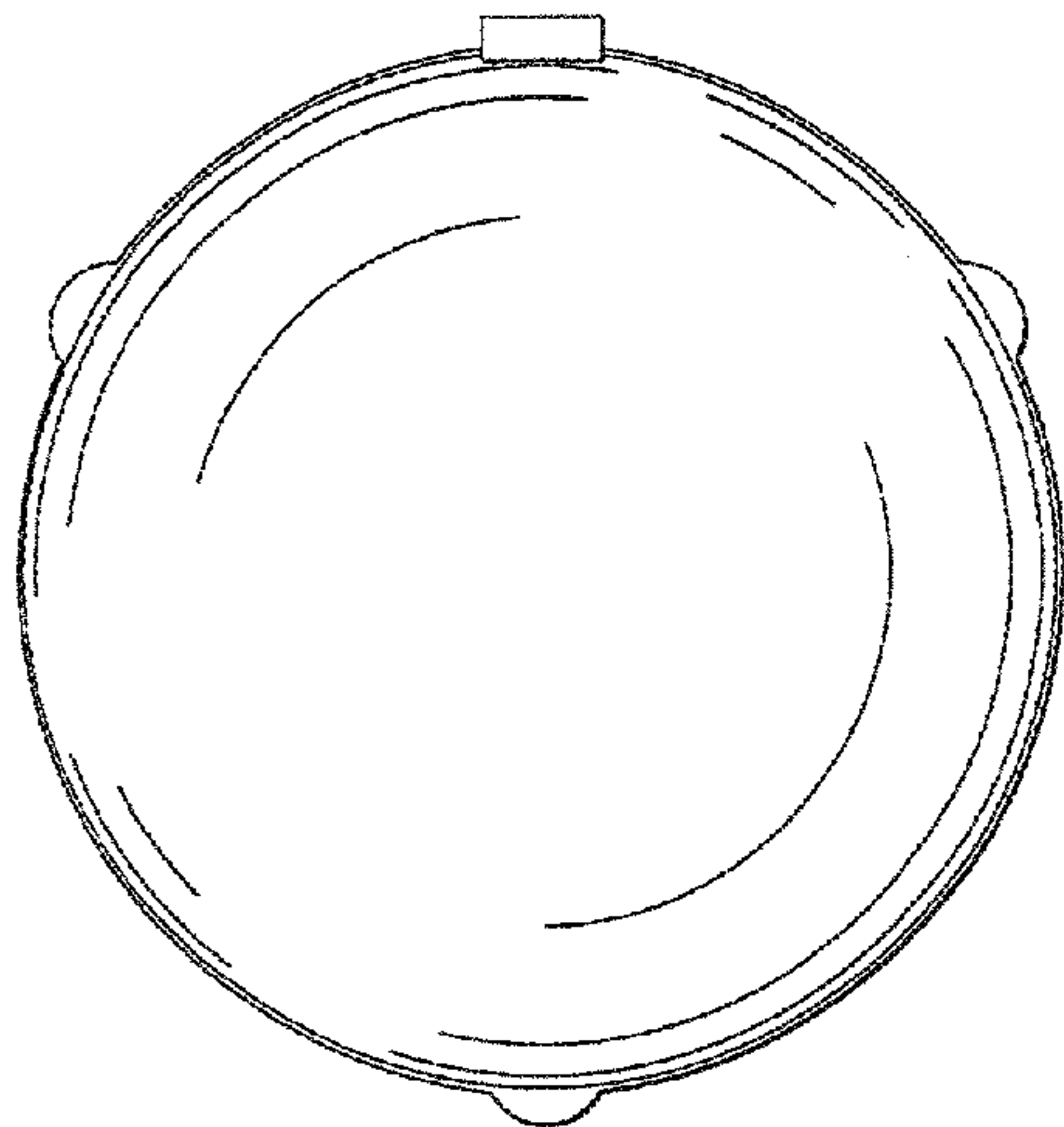
U.S. PATENT DOCUMENTS

D260,401 S * 8/1981 Leopoldi D16/135
D603,438 S * 11/2009 Takishima D16/130
D616,005 S * 5/2010 Peng D16/101
D630,666 S * 1/2011 Matsumoto D16/134
D666,353 S * 8/2012 Lin D26/124
D691,322 S * 10/2013 Tang D26/124
D691,323 S * 10/2013 Tang D26/124
D701,638 S * 3/2014 Inaba D26/124

DESCRIPTION

FIG. 1 is a front view of the lens for light emitting diode
showing the new design;
FIG. 2 is a rear view of FIG. 1;
FIG. 3 is a right side view of FIG. 1, the left side view being
a mirror image thereof;
FIG. 4 is a bottom view of FIG. 1;
FIG. 5 is a top view of FIG. 1;
FIG. 6 is a cross sectional view in the direction of line 6-6
of FIG. 2.
FIG. 7 is a front, top and left side perspective view of FIG.
1; and,
FIG. 8 is a rear, top and right side perspective view of FIG.
1.

1 Claim, 8 Drawing Sheets



(56)

References Cited

U.S. PATENT DOCUMENTS

2015/0260371 A1 9/2015 Takatori

FOREIGN PATENT DOCUMENTS

JP	D1446037	7/2012
JP	D1459130	1/2013
JP	D1460569	1/2013
JP	D1474061	7/2013
JP	2014-063718	4/2014
JP	2014-086343	5/2014

OTHER PUBLICATIONS

Notification of References by Examiner, Japanese Patent Application No. 2014-021829, issued Jul. 21, 2015.

Decision to Grant Registration, Japanese Patent Application No. 2015-002966, issued Oct. 26, 2015.

Notification of References by Examiner, Japanese Patent Application No. 2015-002966, issued Oct. 26, 2015.

Decision to Grant Registration, Japanese Patent Application No. 2015-002967, issued Jul. 21, 2015.

Notification of References by Examiner, Japanese Patent Application No. 2015-002967, issued Jul. 21, 2015.

U.S. Appl. No. 29/522,363, filed Mar. 30, 2015, Yuichi Suzuki et al., Enplas Corporation.

U.S. Appl. No. 29/522,367, filed Mar. 30, 2015, Hiroshi Takatori, Enplas Corporation.

U.S. Appl. No. 29/620,175, filed Aug. 4, 2016, Yu Kamijo, Enplas Corporation.

* cited by examiner

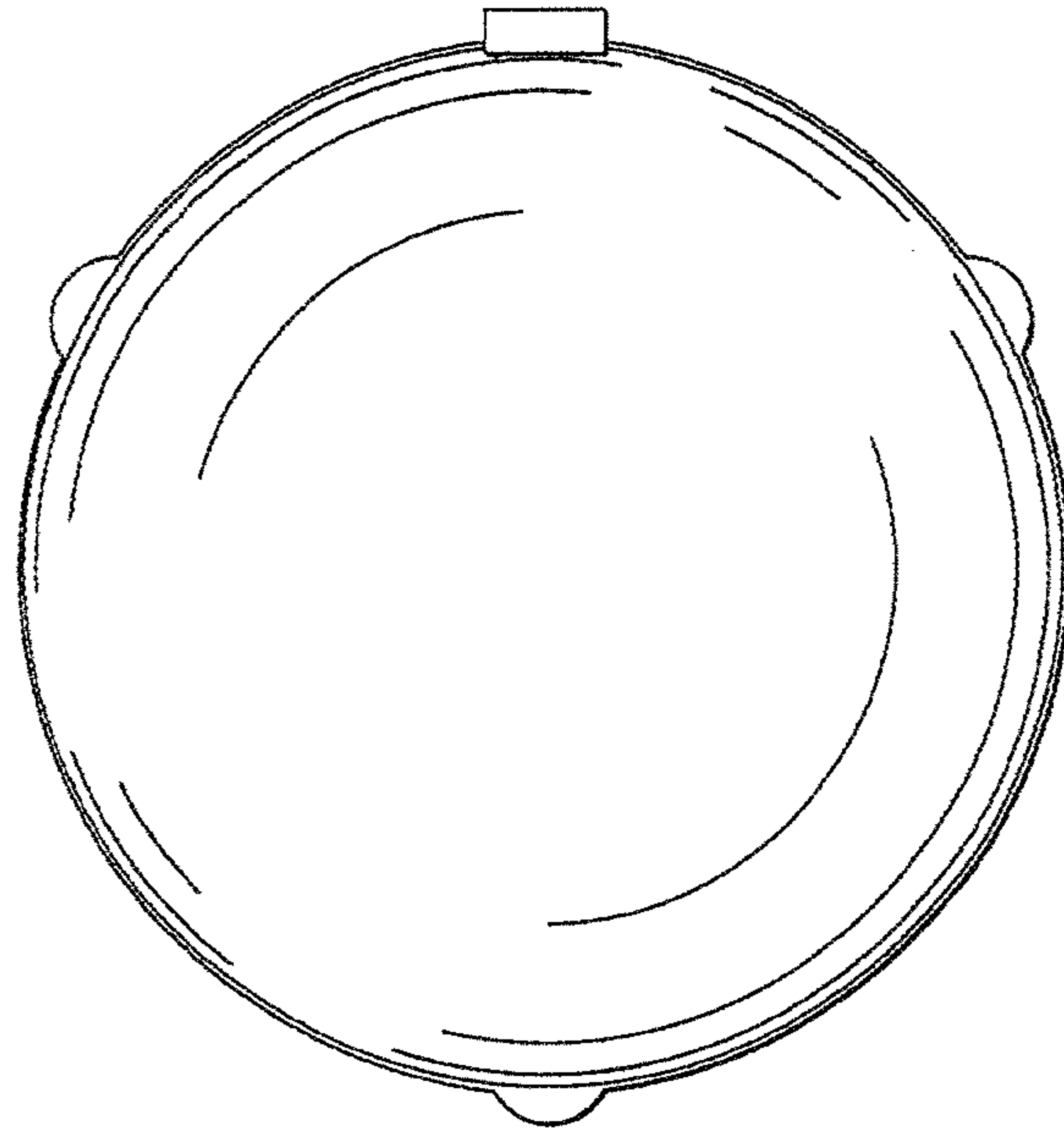


FIG. 1

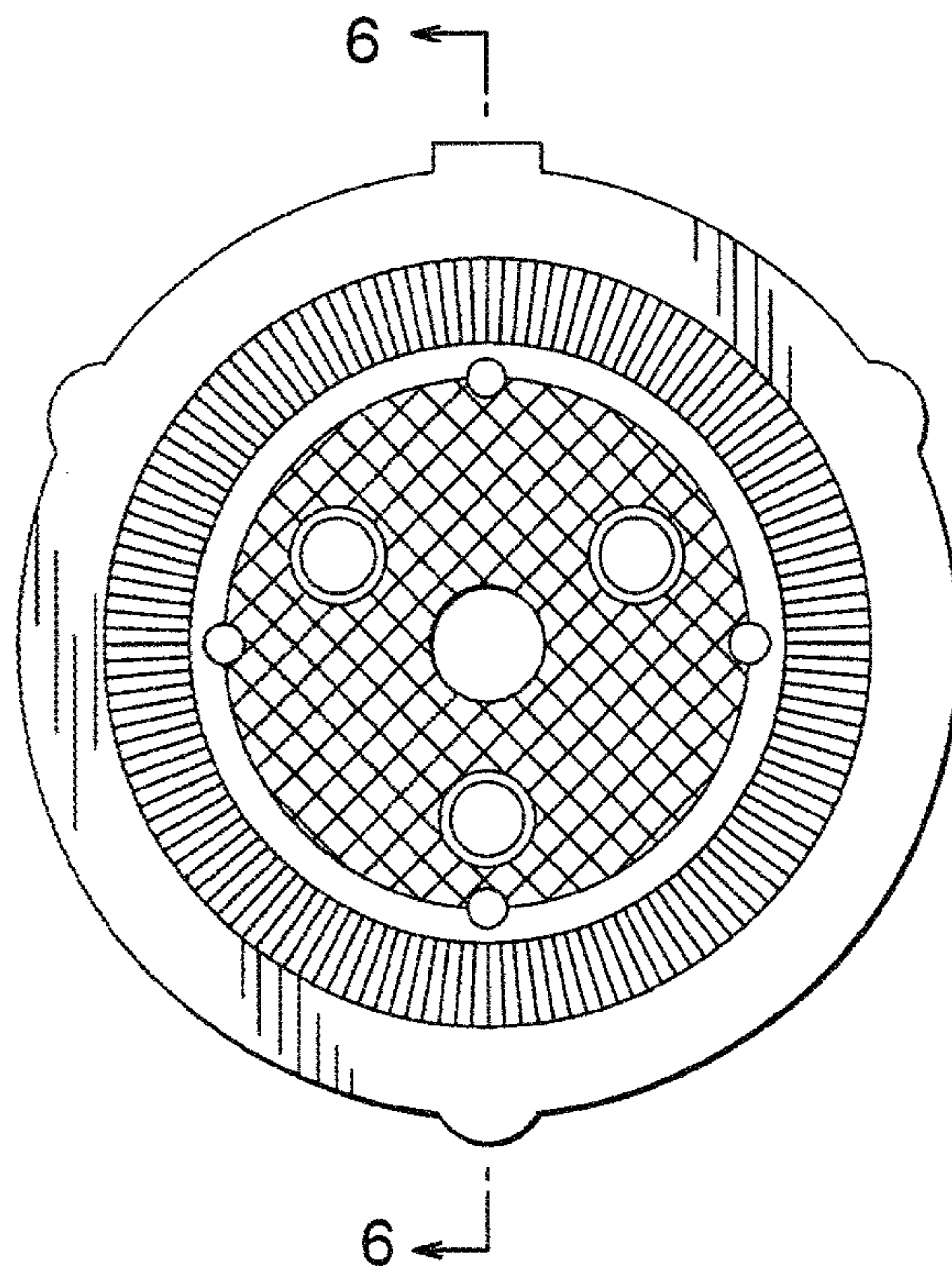


FIG. 2

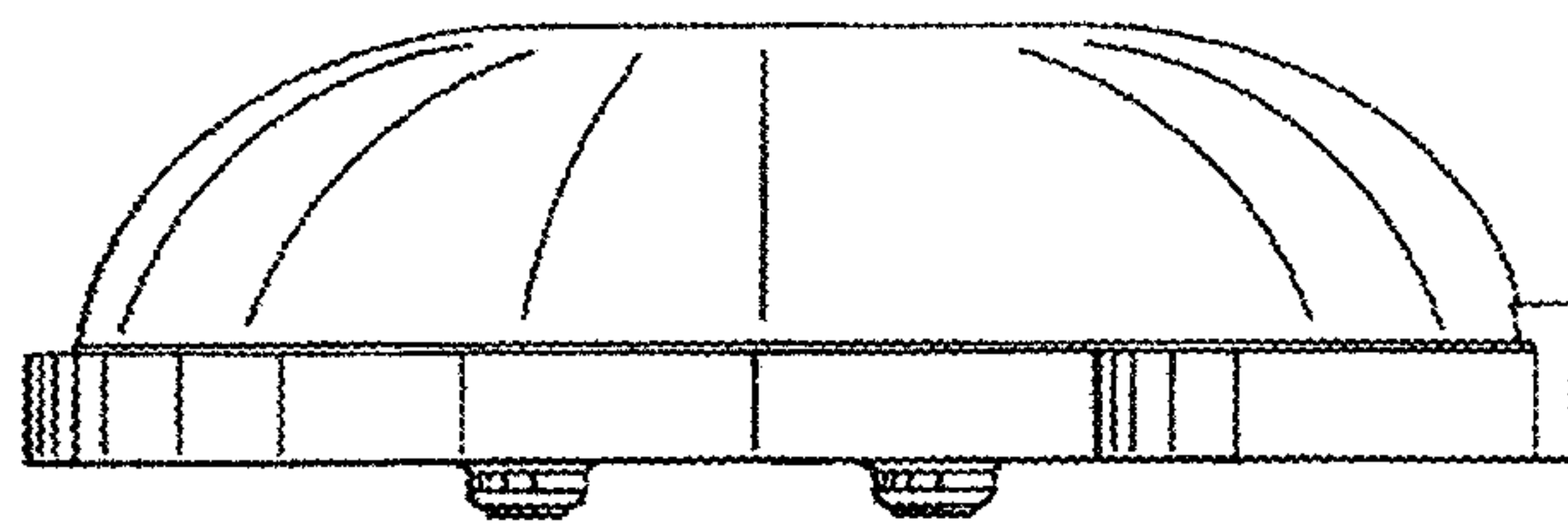


FIG. 3

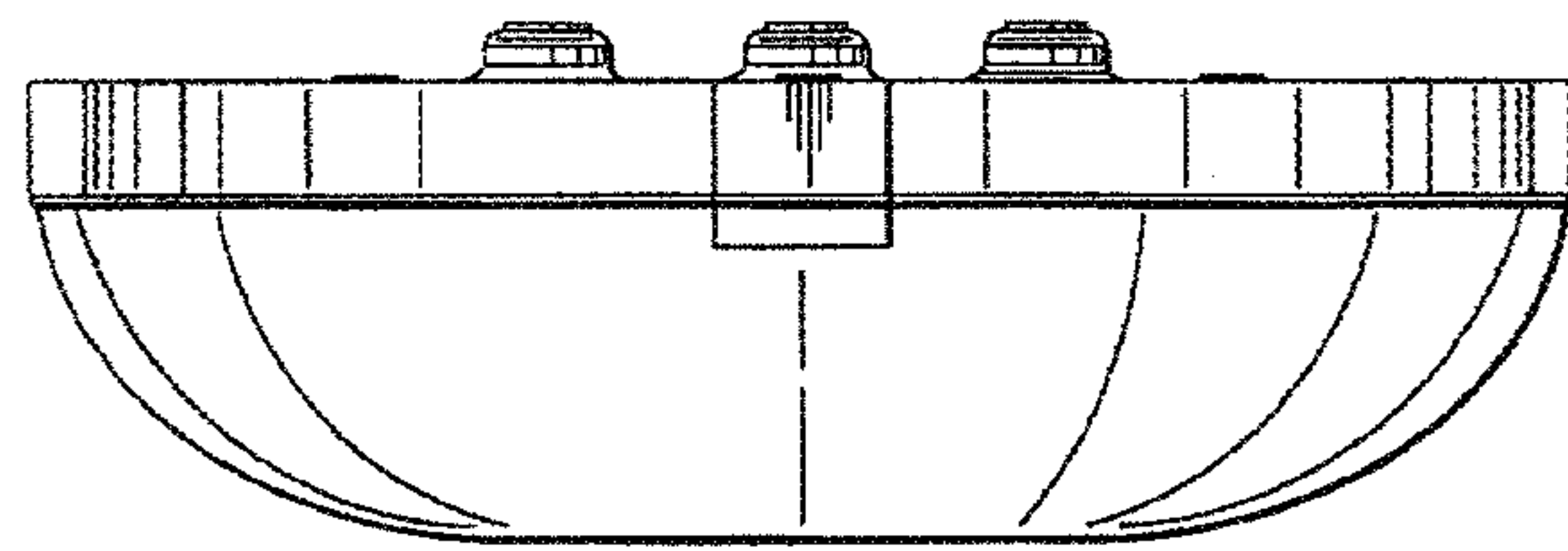


FIG. 4

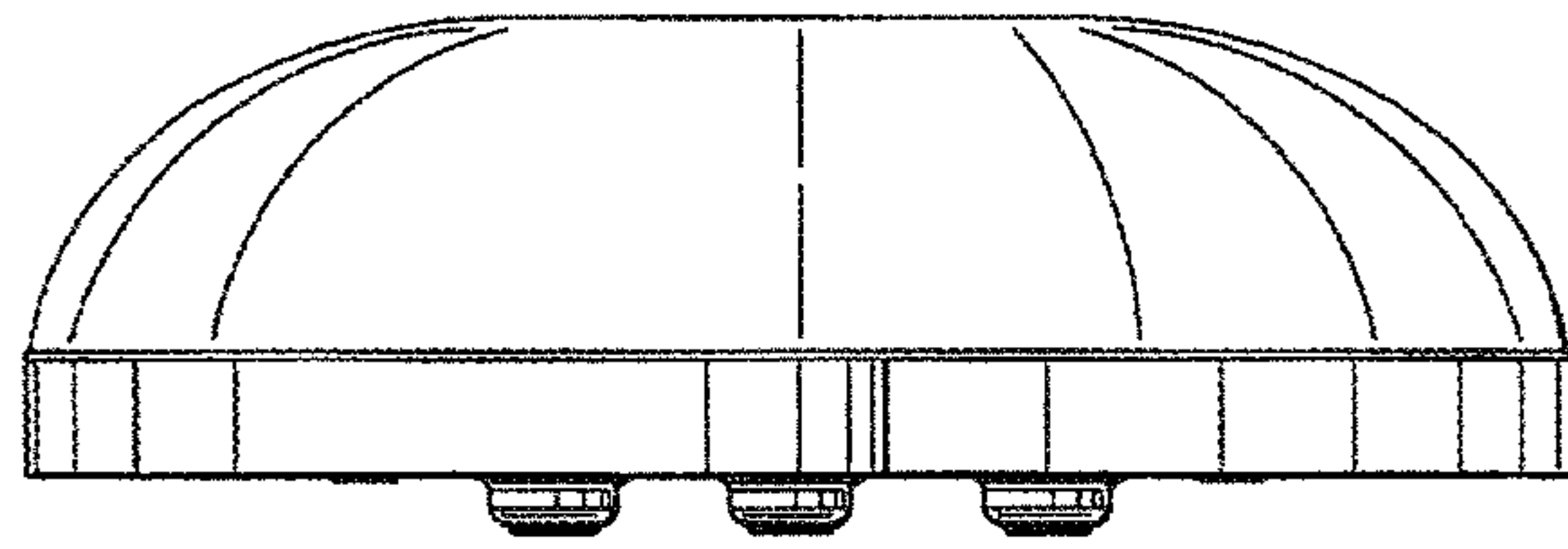


FIG. 5

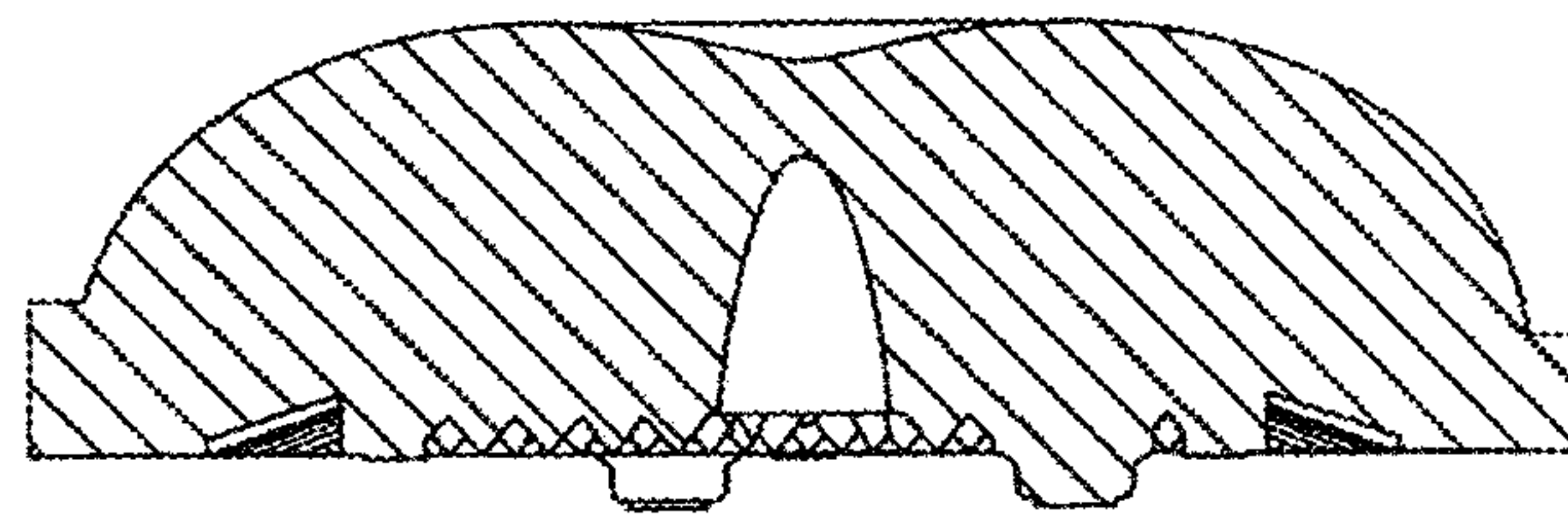


FIG. 6

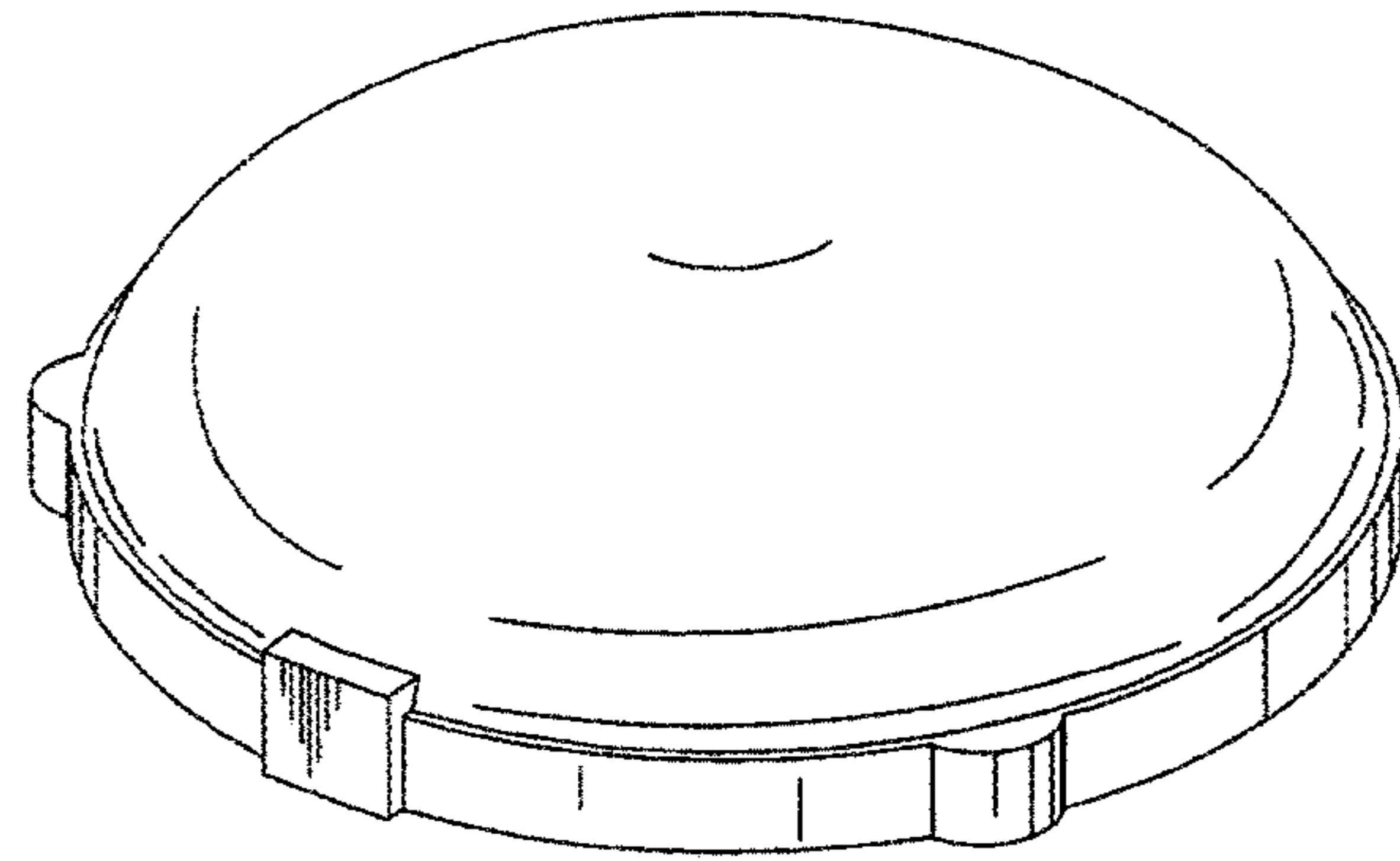


FIG. 7

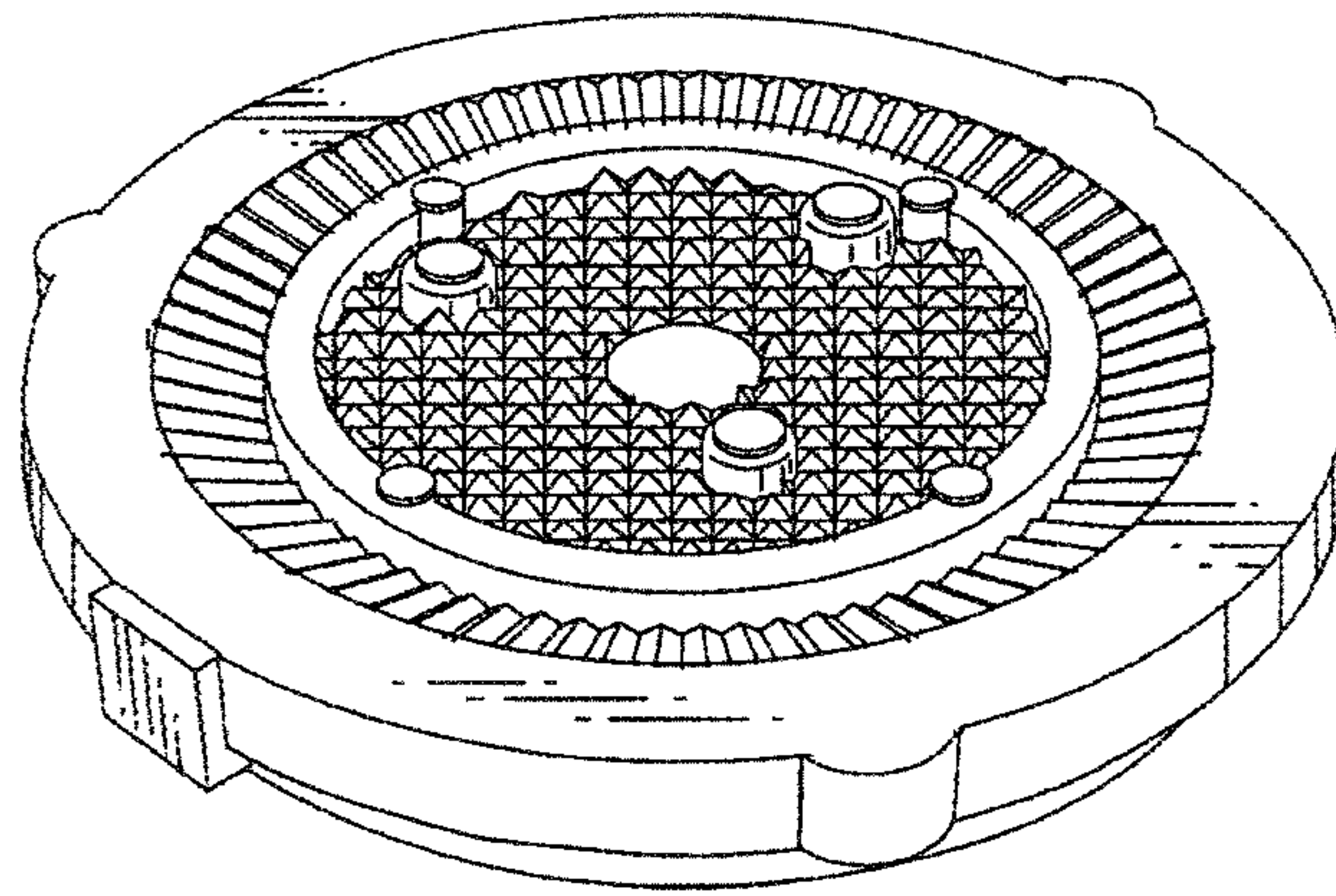


FIG. 8

UNITED STATES PATENT AND TRADEMARK OFFICE
CERTIFICATE OF CORRECTION

PATENT NO. : D778,334 S
APPLICATION NO. : 29/522371
DATED : February 7, 2017
INVENTOR(S) : Hiroshi Takatori et al.

Page 1 of 1

It is certified that error appears in the above-identified patent and that said Letters Patent is hereby corrected as shown below:

On the Title Page

In Column 2, under the subheading DESCRIPTION, please correct the following:

Line 34, Delete "FIG. 4 is a bottom view of FIG. 1;" and insert -- FIG. 4 is a top view of FIG. 1; --

Line 35, Delete "FIG. 5 is a top view of FIG. 1;" and insert -- FIG. 5 is a bottom view of FIG. 1; --

Signed and Sealed this
Third Day of October, 2017



Joseph Matal
*Performing the Functions and Duties of the
Under Secretary of Commerce for Intellectual Property and
Director of the United States Patent and Trademark Office*